



US00D983312S

(12) **United States Design Patent**
Nago

(10) **Patent No.:** **US D983,312 S**
(45) **Date of Patent:** **** Apr. 11, 2023**

(54) **FISHING REEL**

(71) Applicant: **Shimano Inc.**, Osaka (JP)

(72) Inventor: **Akira Nago**, Osaka (JP)

(73) Assignee: **Shimano Inc.**, Osaka (JP)

(**) Term: **15 Years**

(21) Appl. No.: **29/794,383**

(22) Filed: **Jun. 11, 2021**

(30) **Foreign Application Priority Data**

Dec. 25, 2020 (JP) 2020-028236

(51) **LOC (14) Cl.** **22-05**

(52) **U.S. Cl.**
USPC **D22/140**

(58) **Field of Classification Search**
USPC D22/137-141

(Continued)

(56) **References Cited**

U.S. PATENT DOCUMENTS

D236,827 S * 9/1975 Tufvesson D22/140
D294,726 S * 3/1988 Nakamura D22/140

(Continued)

FOREIGN PATENT DOCUMENTS

JP D2013-26289 * 11/2013
JP D2020-28236 * 12/2020

OTHER PUBLICATIONS

Shimano Calcutta Conquest, posted unknown [online], [retrieved Sep. 12, 2020]. Retrieved from internet, [https://www.tackledirect.com/shimano-ctcnq100hga-calcutta-conquest-baitcasting-reel.html?gclid=EA1a1QobChMltfyntY-P-glVZsLCBB1cwAK9EAQYBSABEglcP_D_BwE\(Date:2022\)\(Year:2020\).*](https://www.tackledirect.com/shimano-ctcnq100hga-calcutta-conquest-baitcasting-reel.html?gclid=EA1a1QobChMltfyntY-P-glVZsLCBB1cwAK9EAQYBSABEglcP_D_BwE(Date:2022)(Year:2020).*)

(Continued)

Primary Examiner — Christian P. McLean

Assistant Examiner — Kristopher Michael Blechschmidt

(74) *Attorney, Agent, or Firm* — Global IP Counselors, LLP

(57) **CLAIM**

The ornamental design for a fishing reel, as shown and described.

DESCRIPTION

FIG. 1 is a first side elevational view of a fishing reel that includes a fishing reel portion in accordance with my new design;

FIG. 2 is a second side elevational view of the fishing reel illustrated in FIG. 1 that includes the fishing reel portion but in which the fishing reel portion is completely hidden from sight;

FIG. 3 is a top plan view of the fishing reel illustrated in FIG. 1 that includes the fishing reel portion;

FIG. 4 is a bottom plan view of the fishing reel illustrated in FIG. 1 that includes the fishing reel portion but in which the fishing reel portion is completely hidden from sight;

FIG. 5 is a rear elevational view of the fishing reel illustrated in FIG. 1 that includes the fishing reel portion;

FIG. 6 is a front elevational view of the fishing reel illustrated in FIG. 1 that includes the fishing reel portion but in which the fishing reel portion is completely hidden from sight;

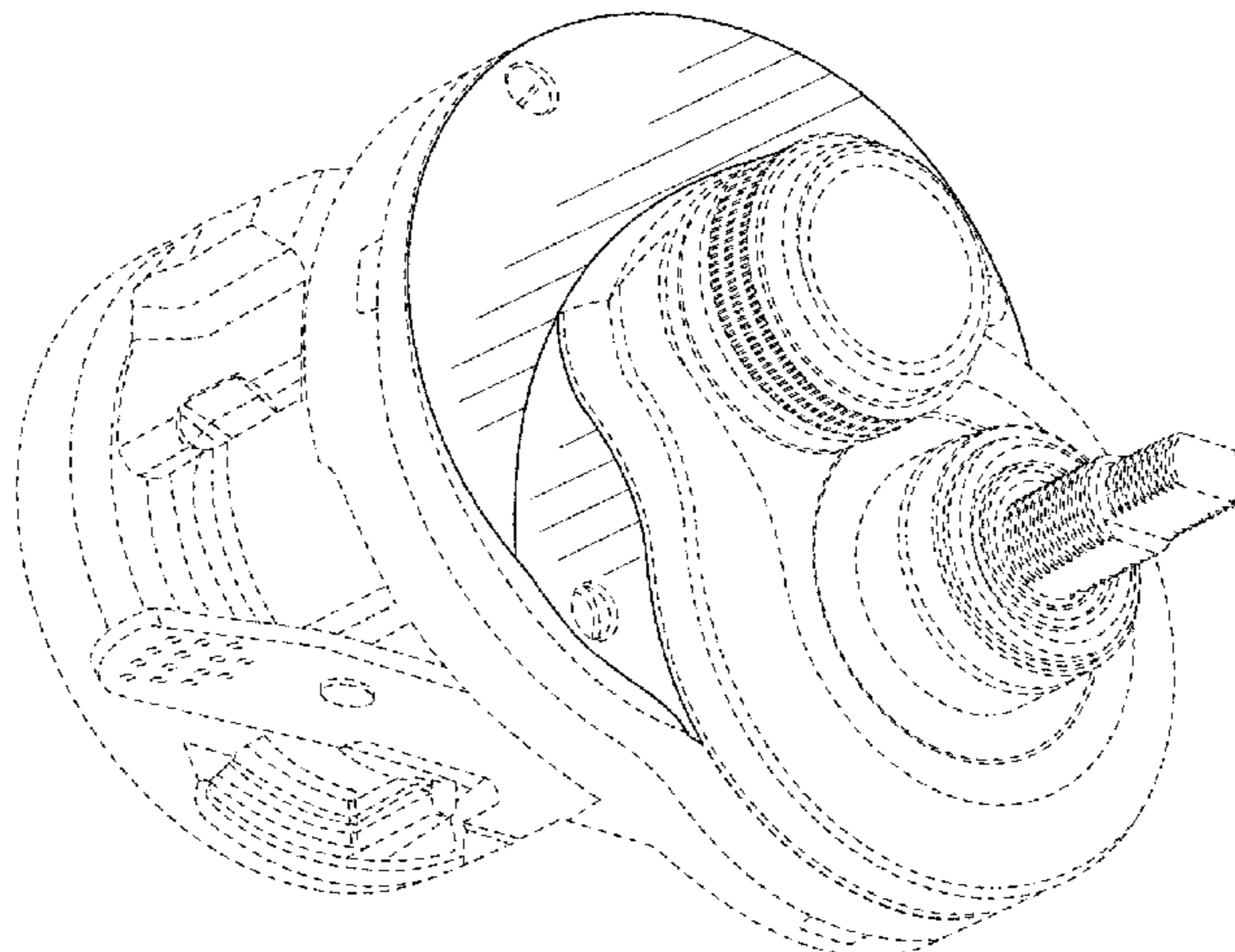
FIG. 7 is a first perspective view of the fishing reel illustrated in FIG. 1 that includes the fishing reel portion but in which the handle has been removed;

FIG. 8 is a second perspective view of the fishing reel illustrated in FIG. 1 that includes the fishing reel portion but in which the handle has been removed; and,

FIG. 9 is an enlarged side elevational view of the fishing reel illustrated in FIG. 1 that includes the fishing reel portion but in which the handle has been removed.

In the drawings, the broken line illustration of the environmental structure (the remaining structure of the fishing reel) in the drawings is not part of the claimed design. In other

(Continued)



words, the broken line portion of the fishing reel does not form part of the claimed design.

1 Claim, 5 Drawing Sheets

(58) **Field of Classification Search**

CPC A01K 89/00; A01K 89/01; A01K 81/00;
A01K 89/06; A01K 89/015; A01K
89/016; F41B 5/1484

See application file for complete search history.

(56) **References Cited**

U.S. PATENT DOCUMENTS

4,746,079 A * 5/1988 Newell A01K 89/015
264/46.7
D302,844 S * 8/1989 Myojo D22/140
D310,116 S * 8/1990 Effinger D22/140

D348,919 S * 7/1994 Sato D22/140
D421,087 S * 2/2000 Kim D22/140
6,189,823 B1 * 2/2001 Kobayashi A01K 89/01921
242/312
D448,445 S * 9/2001 Sakurai D22/140
D494,248 S * 8/2004 Sakurai D22/140
D529,984 S * 10/2006 Iwabuchi D22/141
D620,071 S * 7/2010 Noma D22/140
D724,174 S * 3/2015 Nago D22/140
9,901,086 B1 * 2/2018 Chang A01K 89/058

OTHER PUBLICATIONS

AmbassadeurC4series, posted Feb. 1, 2011 [online], [retrieved Sep. 14, 2020]. Retrieved from internet, https://www.youtube.com/watch?v=zllaCxoXC_4 (Date:2022) (Year: 2011).*

Camekoon Round Baitcasting, posted unknown [online], [retrieved Sep. 14, 2020]. Retrieved from internet, <https://www.ebay.com.sg/itm/CAMEKOON-Round-Baitcasting-Trolling-Reel-7-0-1-Right-Left-Saltwater-Fishing-Reel/143486810604> (Date:2022) (Year: 2022).*

* cited by examiner

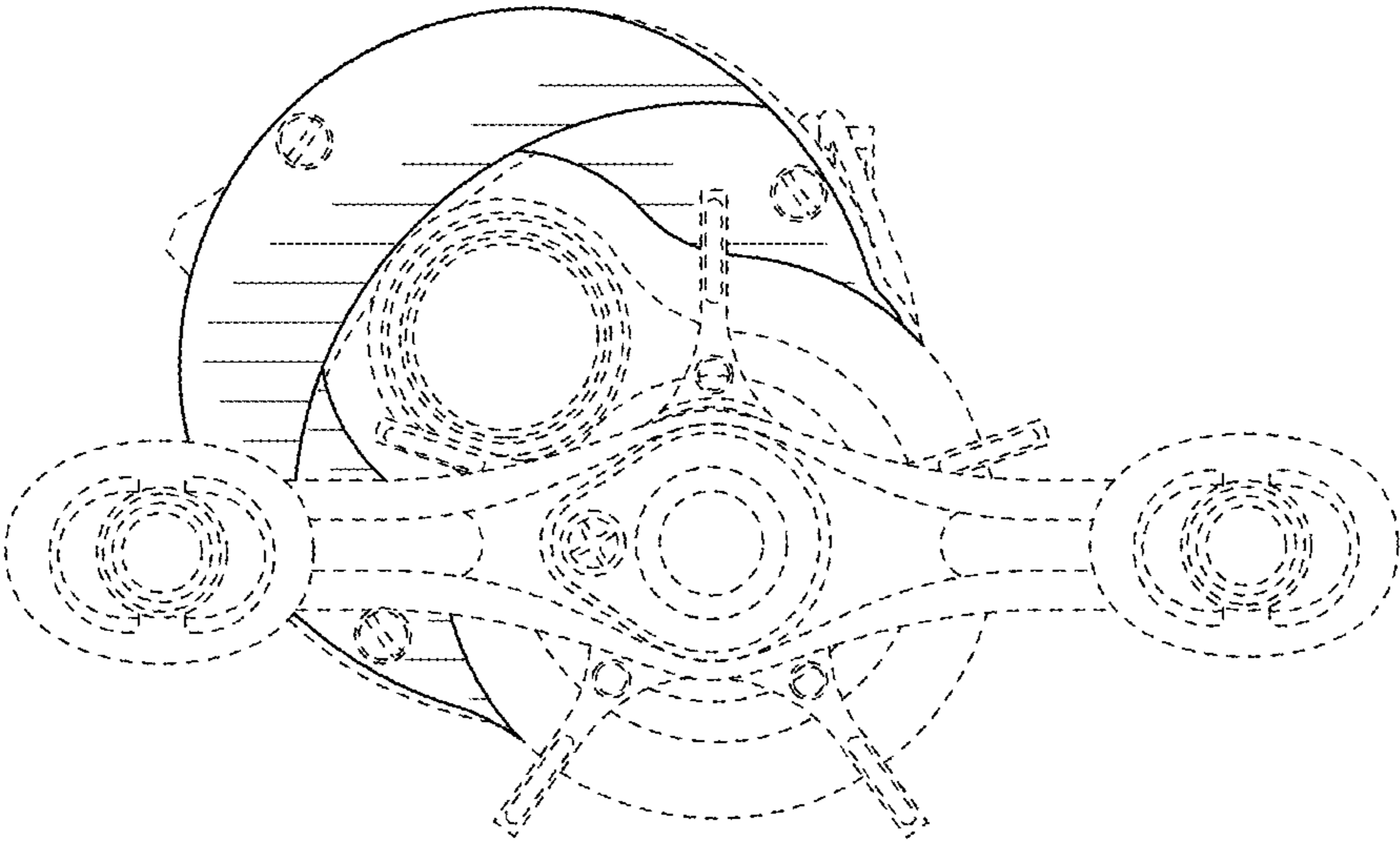


FIG. 1

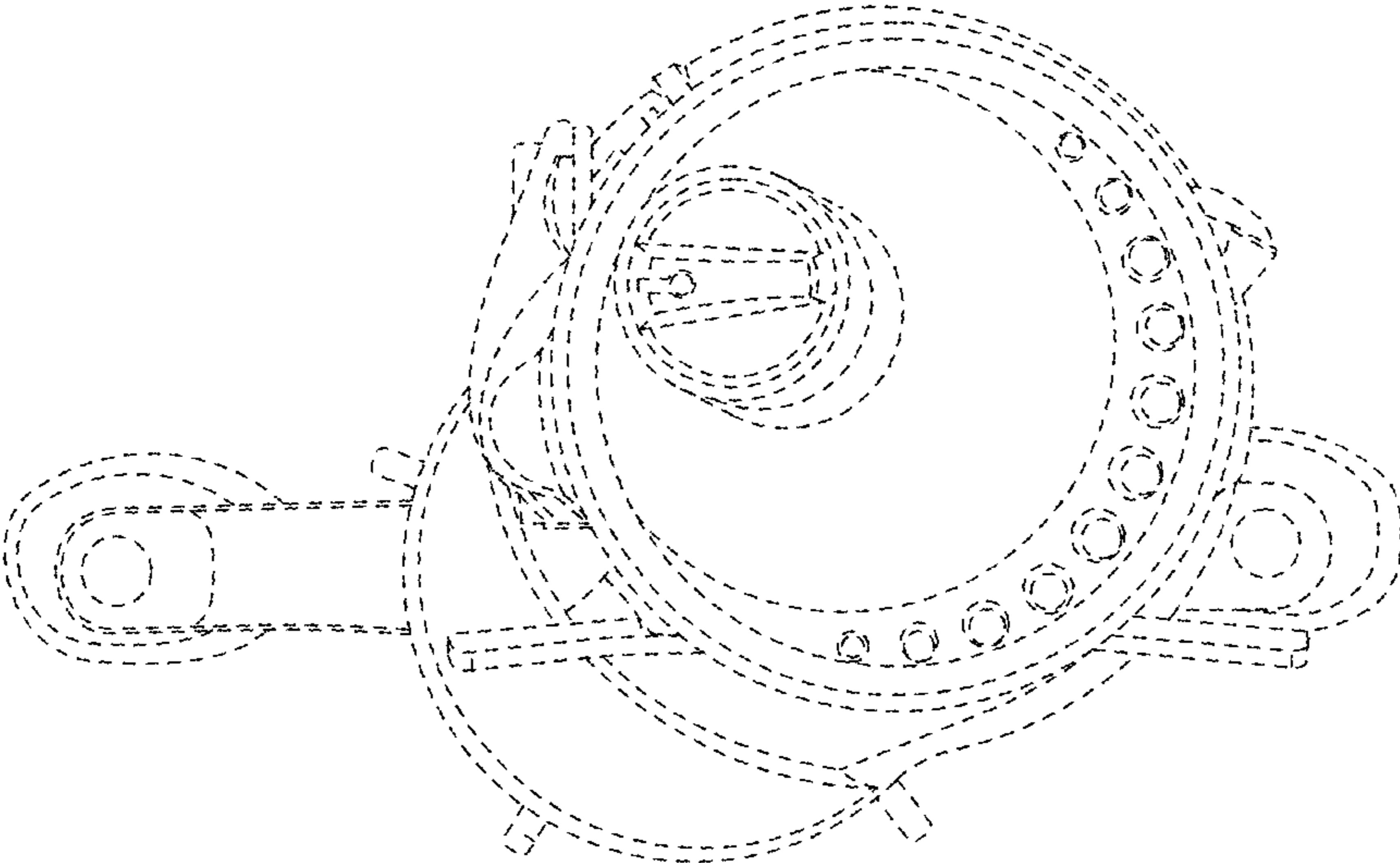


FIG. 2

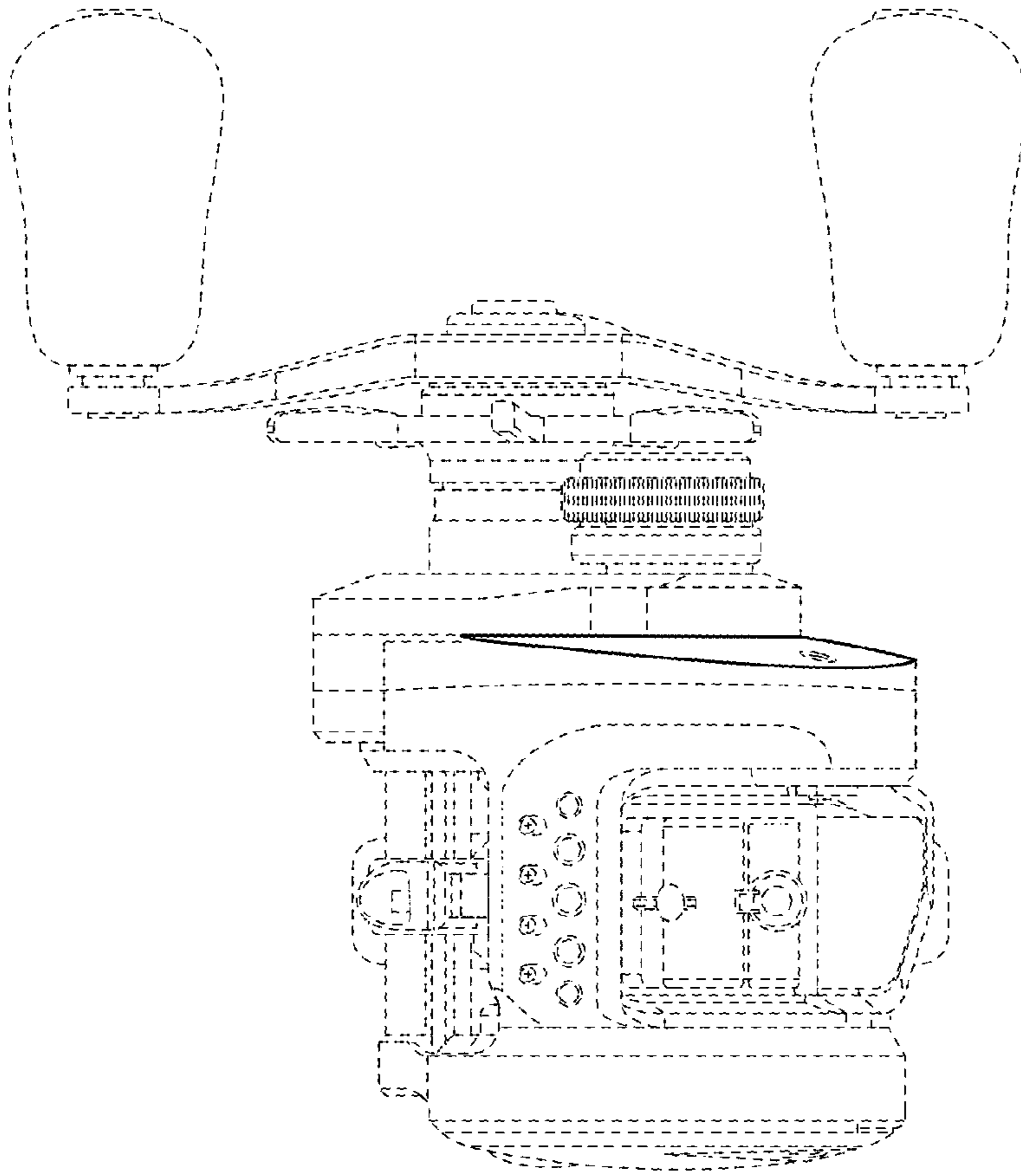


FIG. 3

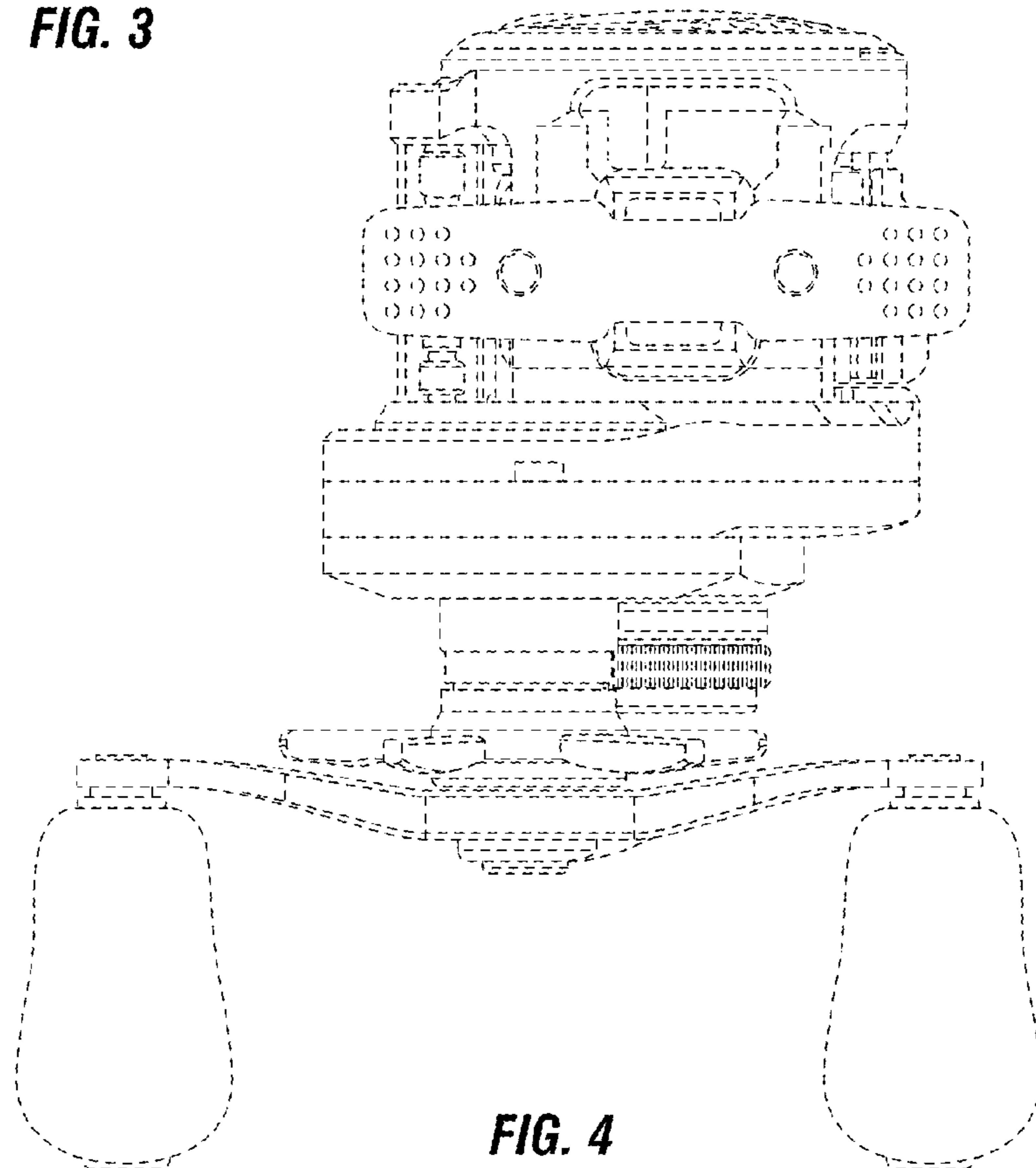


FIG. 4

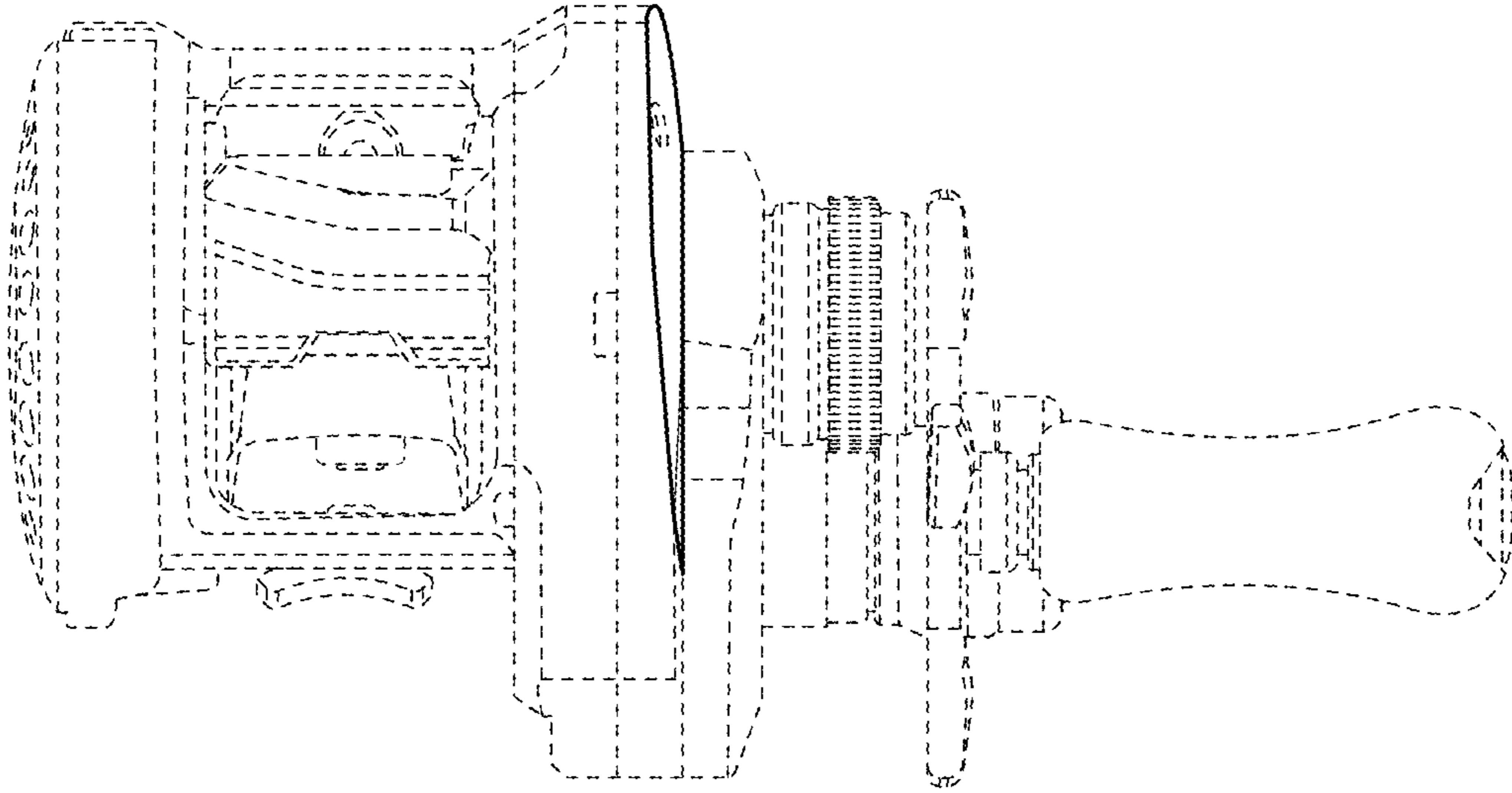


FIG. 5

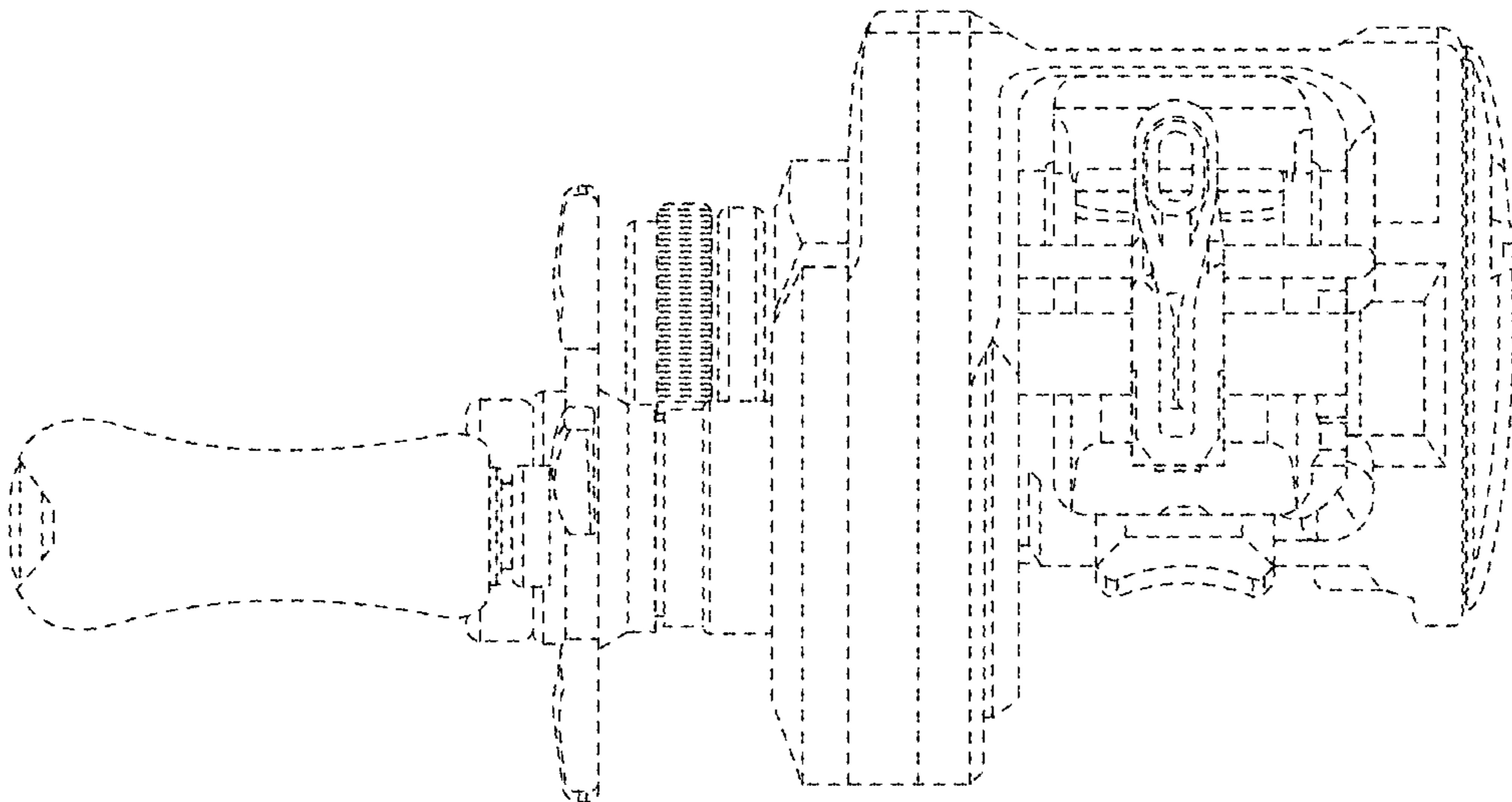


FIG. 6

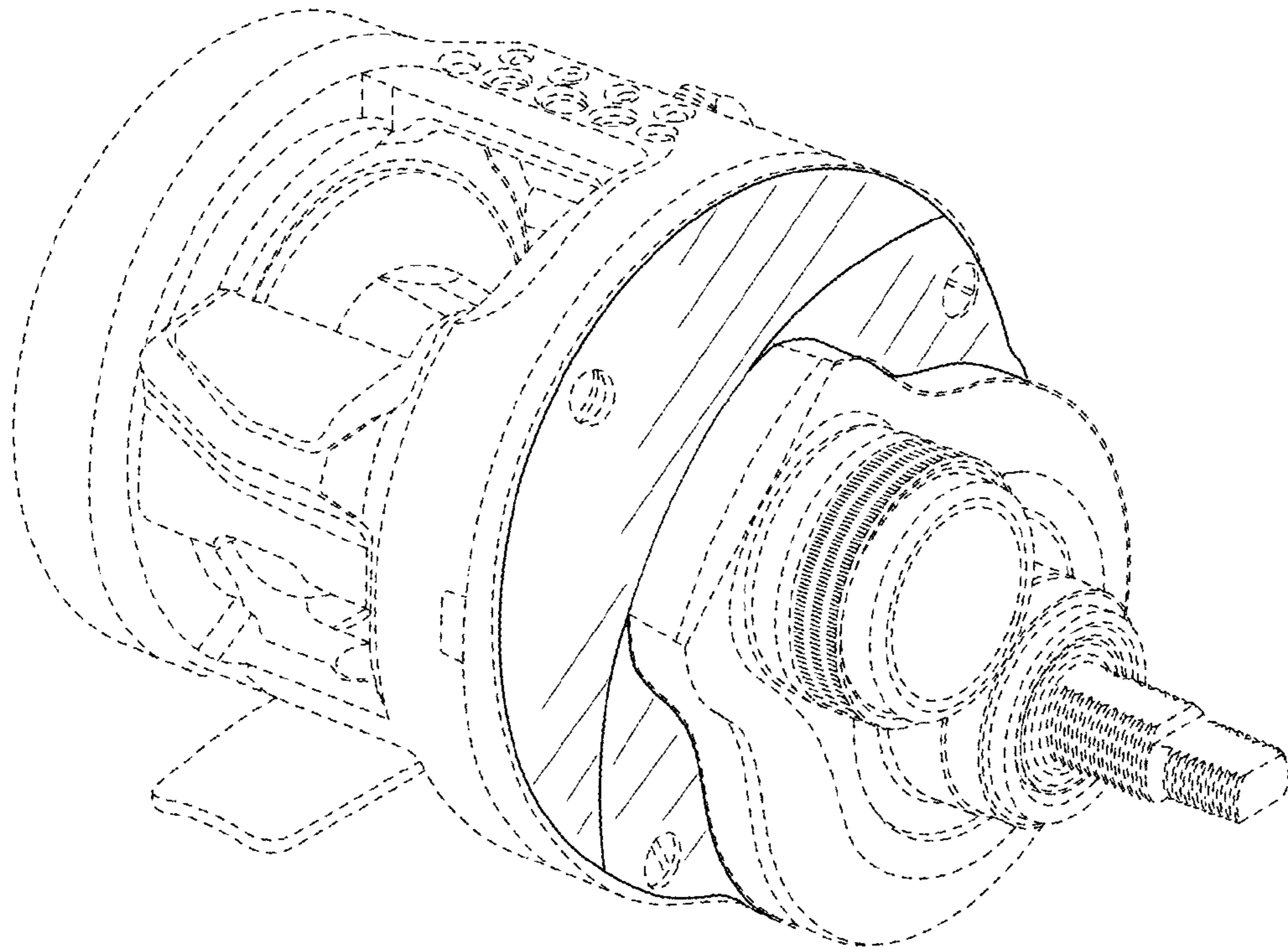


FIG. 7

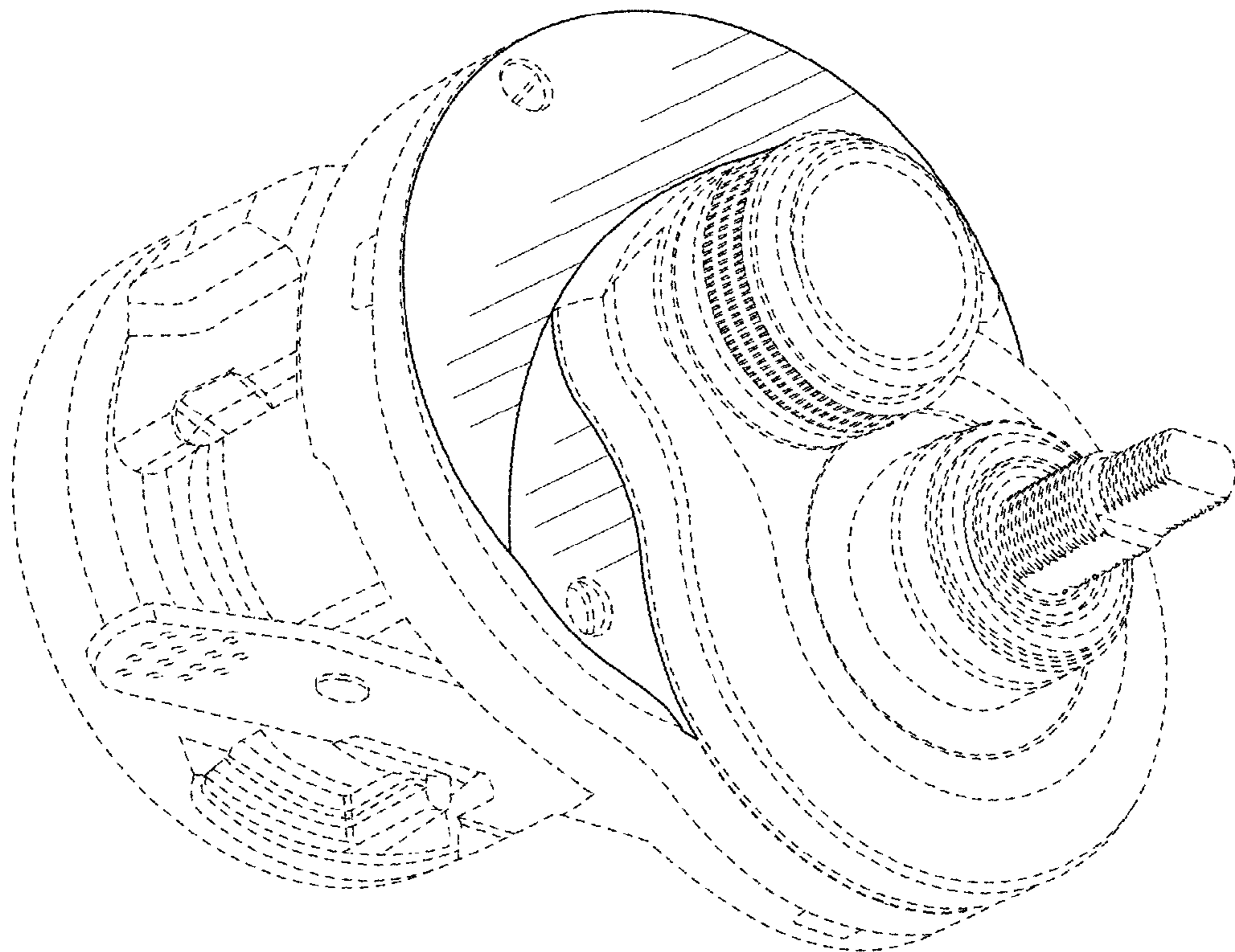


FIG. 8

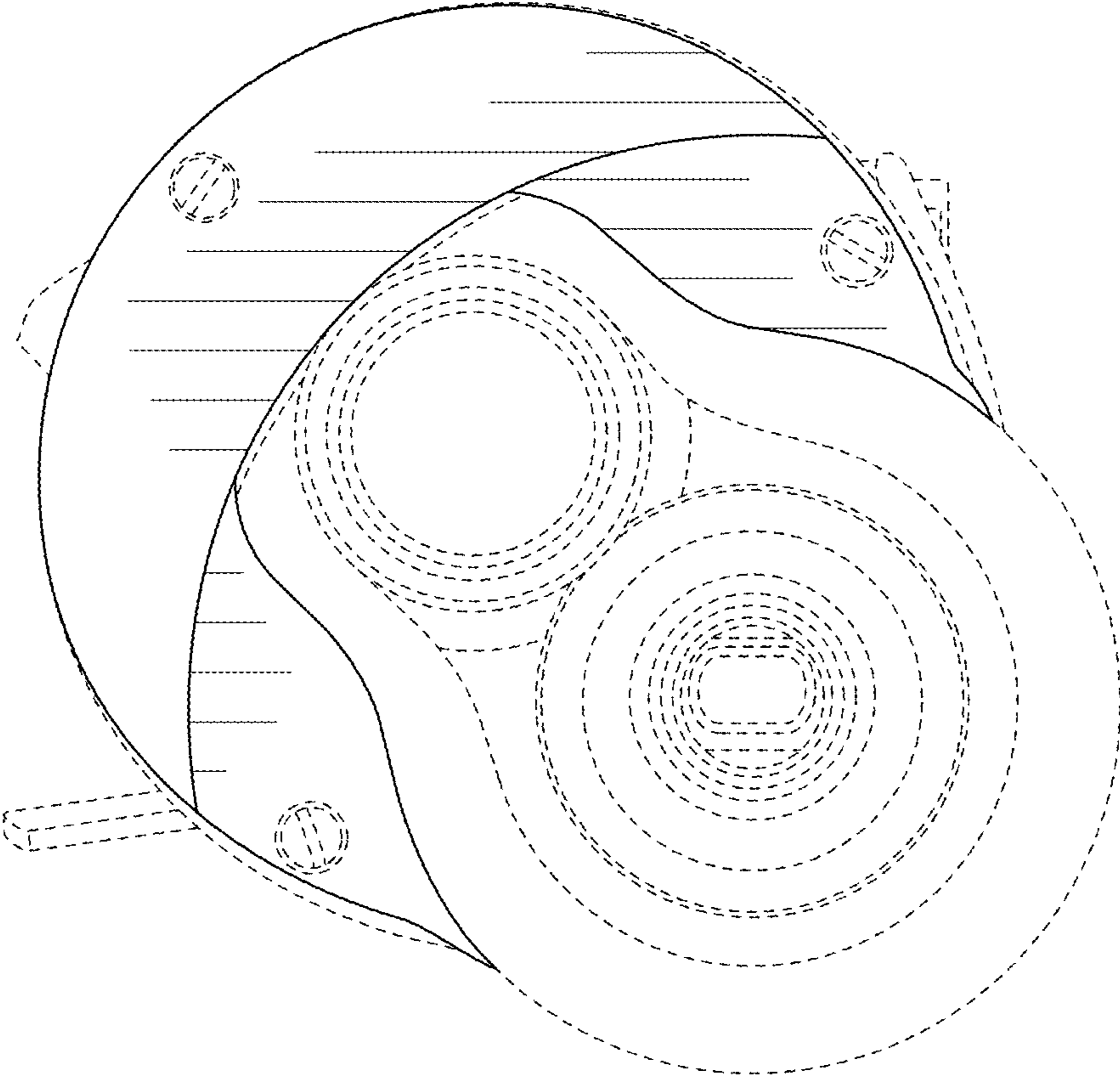


FIG. 9