



US00D983309S

(12) **United States Design Patent** (10) **Patent No.:** **US D983,309 S**
Ye (45) **Date of Patent:** **** Apr. 11, 2023**

(54) **MOSQUITO KILLING LAMP**

D542,370 S * 5/2007 Chen D22/123
D961,041 S * 8/2022 Zhang D22/123

(71) Applicant: **Yonglin Ye**, Dongguan (CN)

* cited by examiner

(72) Inventor: **Yonglin Ye**, Dongguan (CN)

Primary Examiner — Catherine R Oliver-Garcia

(**) Term: **15 Years**

(21) Appl. No.: **29/782,671**

(57) **CLAIM**

(22) Filed: **May 7, 2021**

The ornamental design for a mosquito killing lamp, as shown and described.

(51) **LOC (14) Cl.** **22-06**

(52) **U.S. Cl.**

USPC **D22/123**

(58) **Field of Classification Search**

USPC D22/122–123, 119–120; D26/37;
43/107, 112, 137

CPC A01M 1/00; A01M 1/02; A01M 1/04;
A01M 1/104; A01M 1/106; A01M 1/223;
A01M 29/12; A01M 29/34; A01M
2200/00; A01M 2200/011; A01M
2200/012; F21L 13/08

See application file for complete search history.

DESCRIPTION

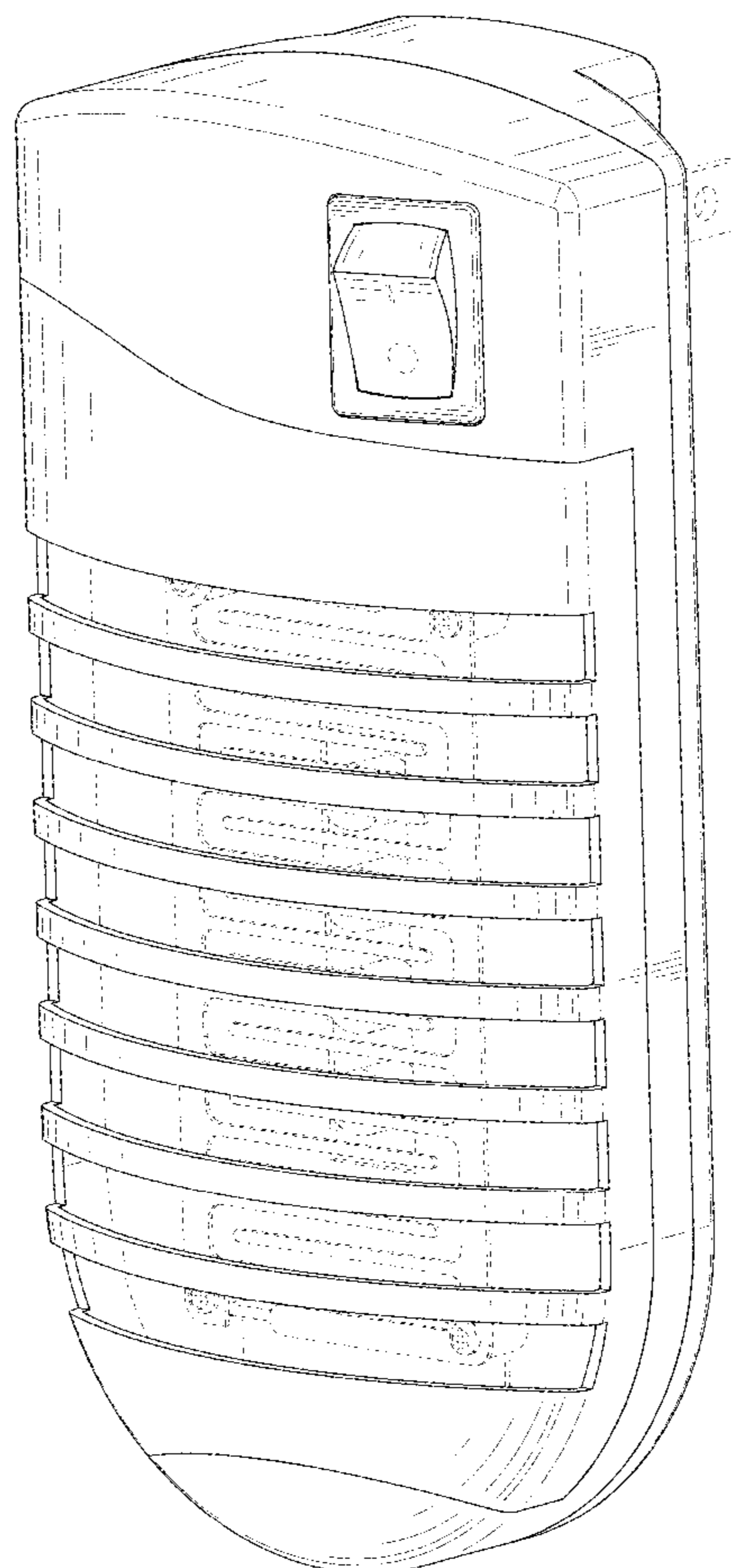
FIG. 1 is a perspective view of a mosquito killing lamp showing my new design;
FIG. 2 is another perspective view thereof;
FIG. 3 is a front elevational view thereof;
FIG. 4 is a rear elevational view thereof;
FIG. 5 is a left side elevational view thereof;
FIG. 6 is a right side elevational view thereof;
FIG. 7 is a top plan view thereof; and,
FIG. 8 is a bottom plan view thereof.
The broken lines in the drawings depict portions of the mosquito killing lamp that form no part of the claimed design.

(56) **References Cited**

U.S. PATENT DOCUMENTS

D283,153 S * 3/1986 DeYoreo D22/123
D293,014 S * 12/1987 Davis D22/123

1 Claim, 8 Drawing Sheets



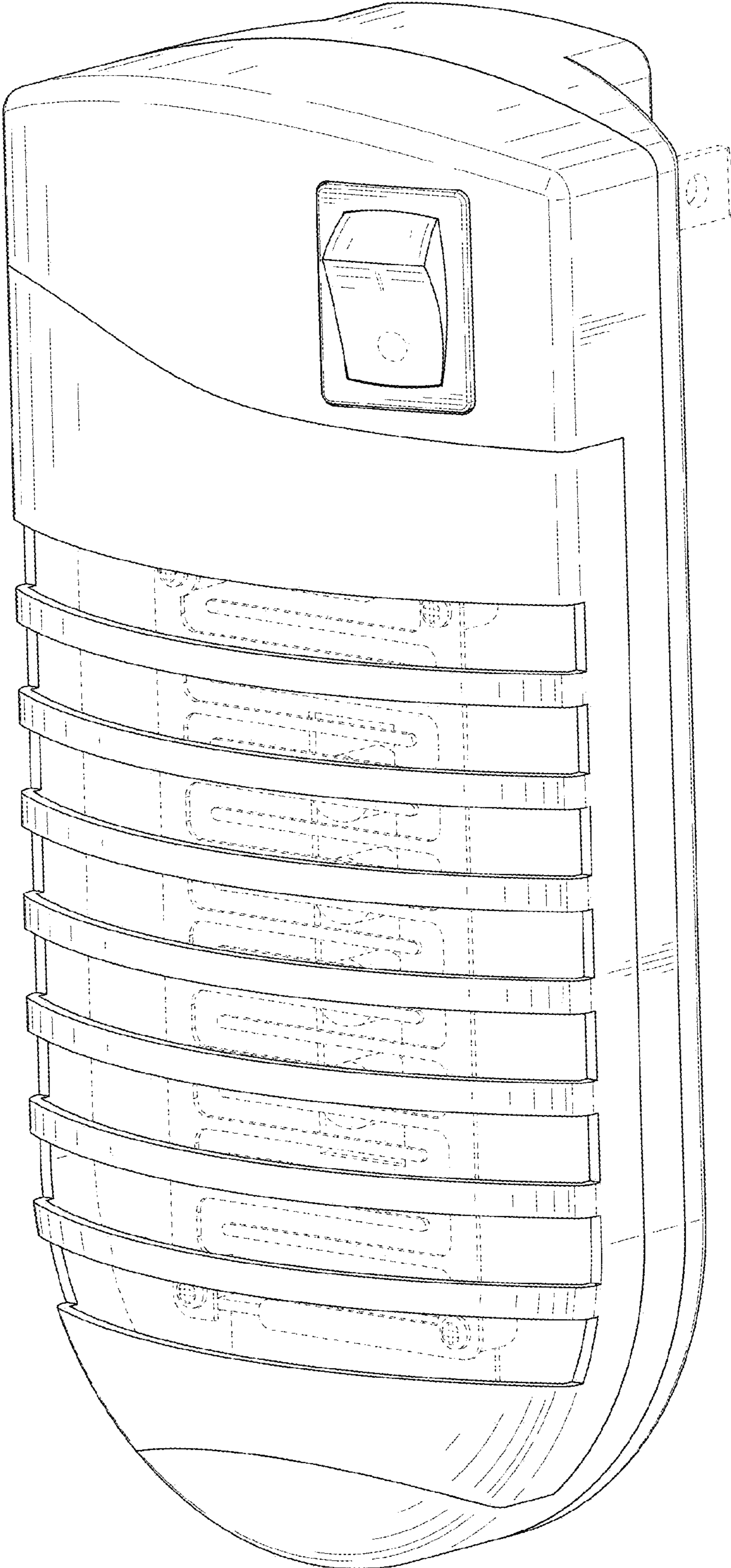


FIG. 1

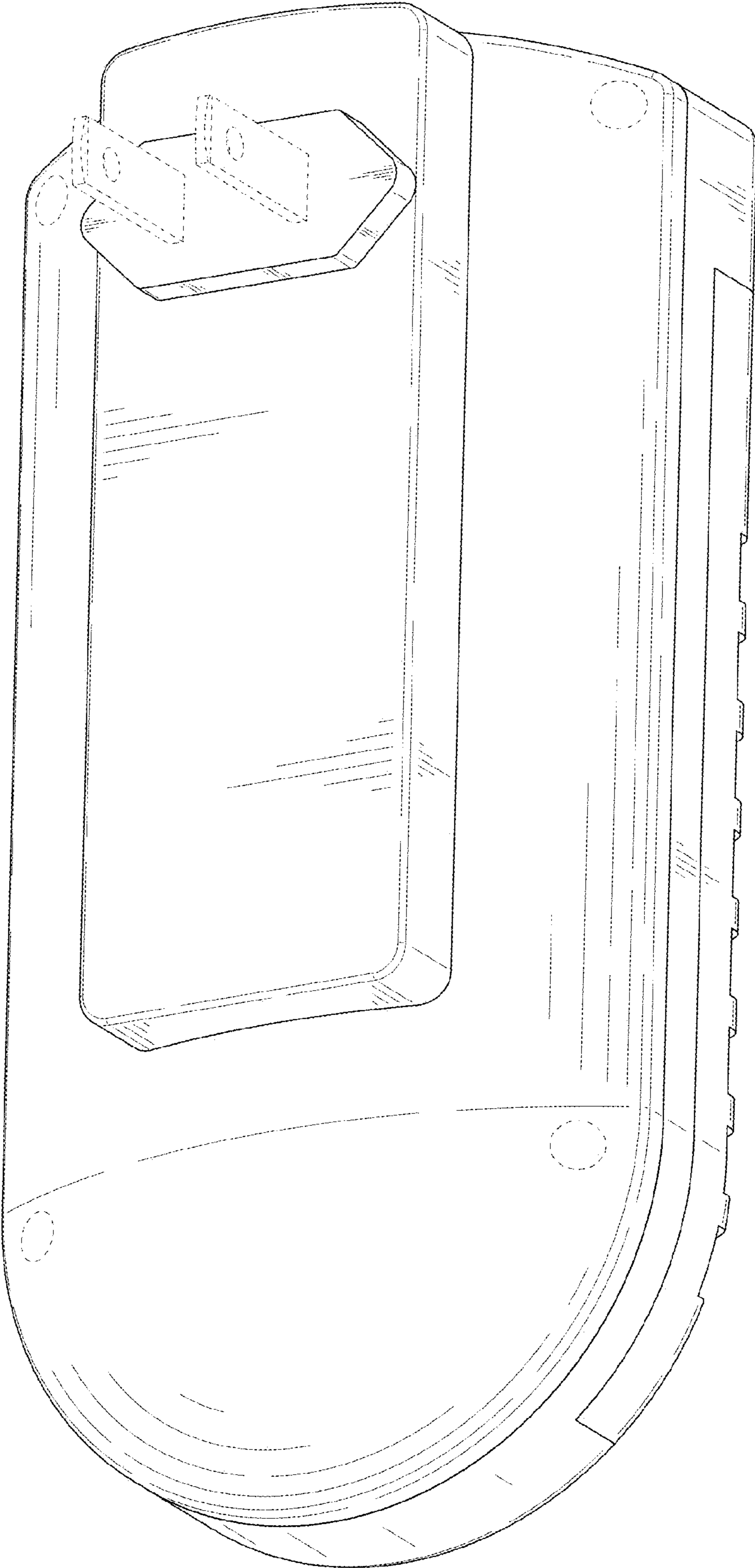


FIG. 2

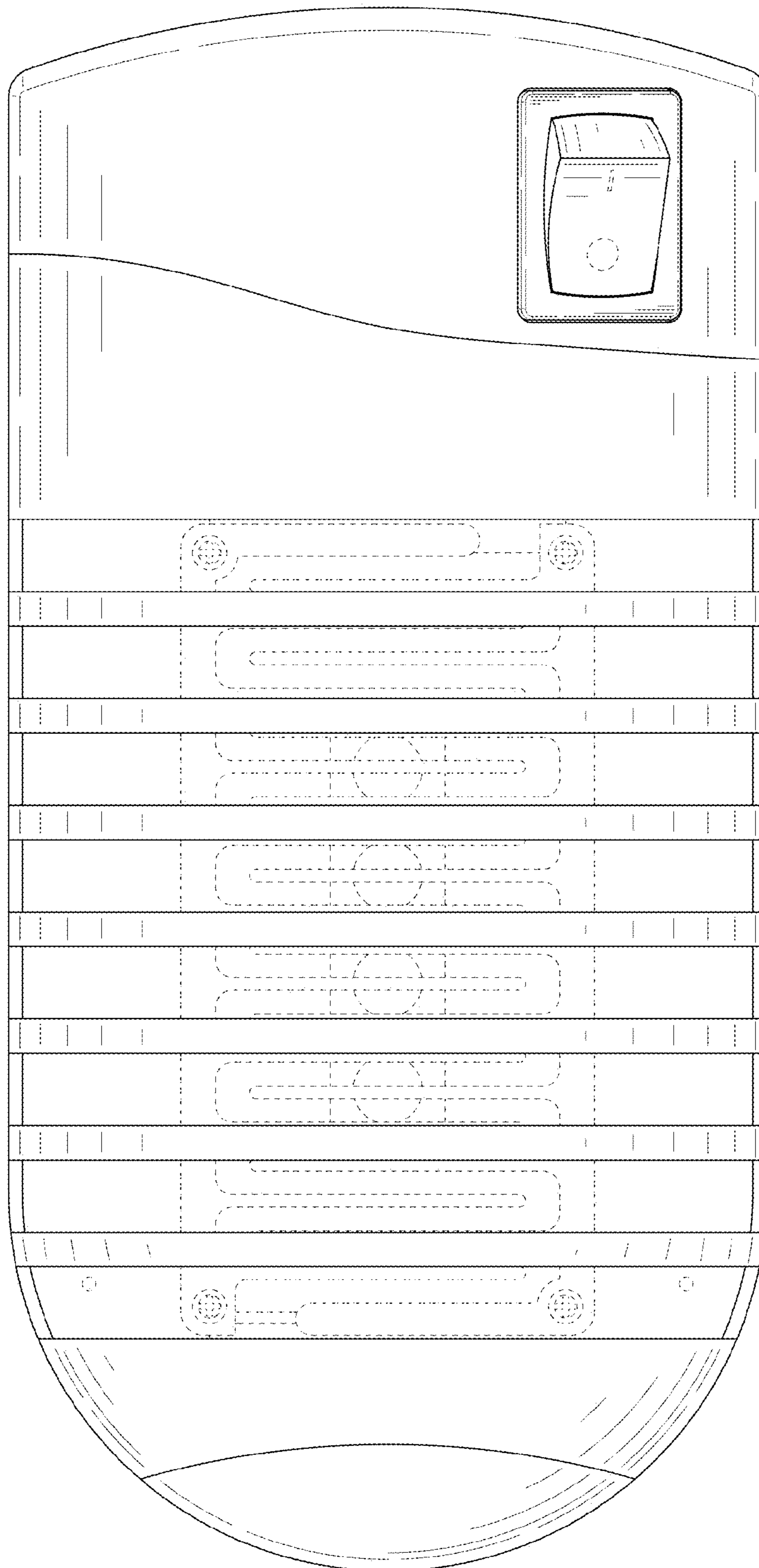


FIG. 3

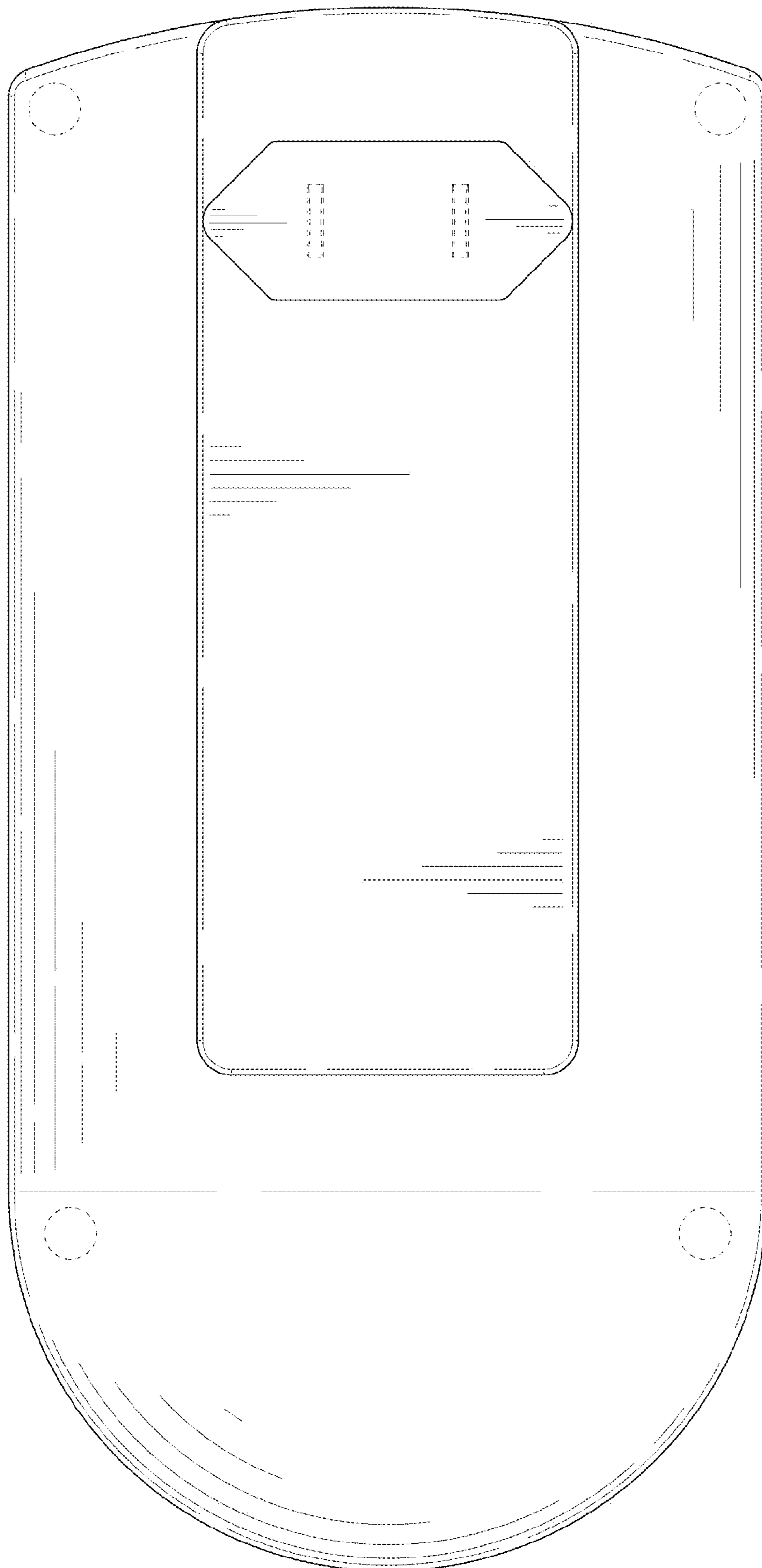


FIG. 4

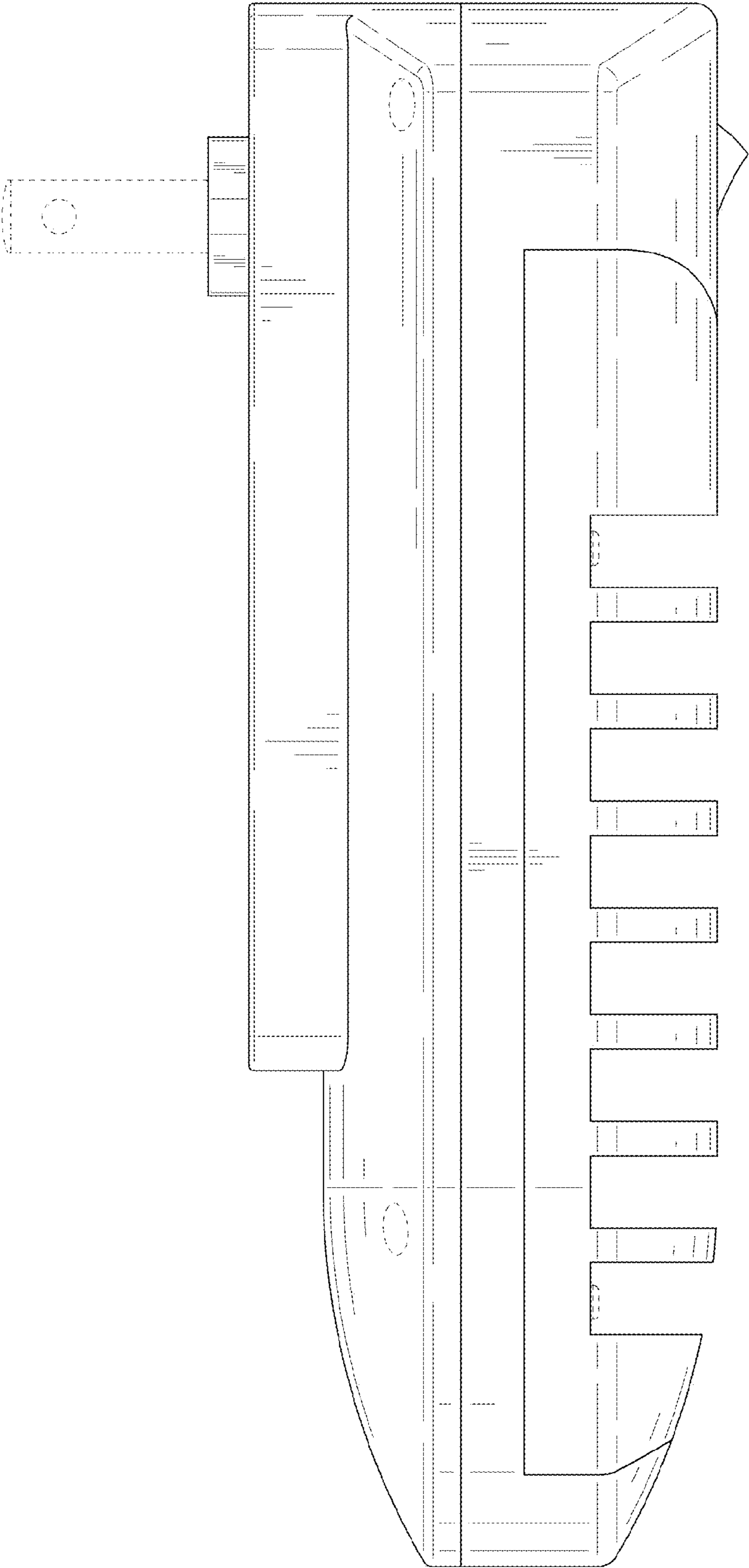


FIG. 5

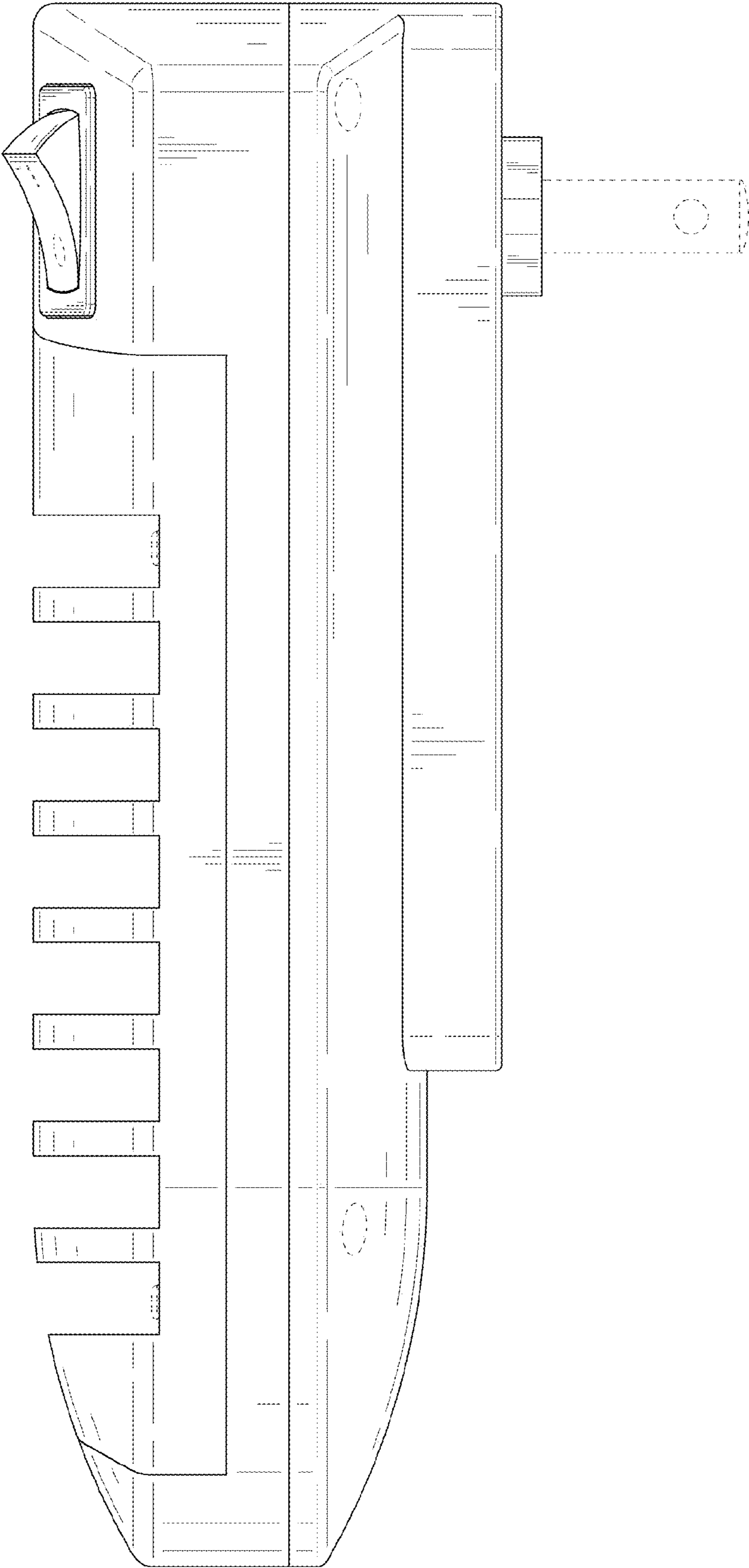


FIG. 6

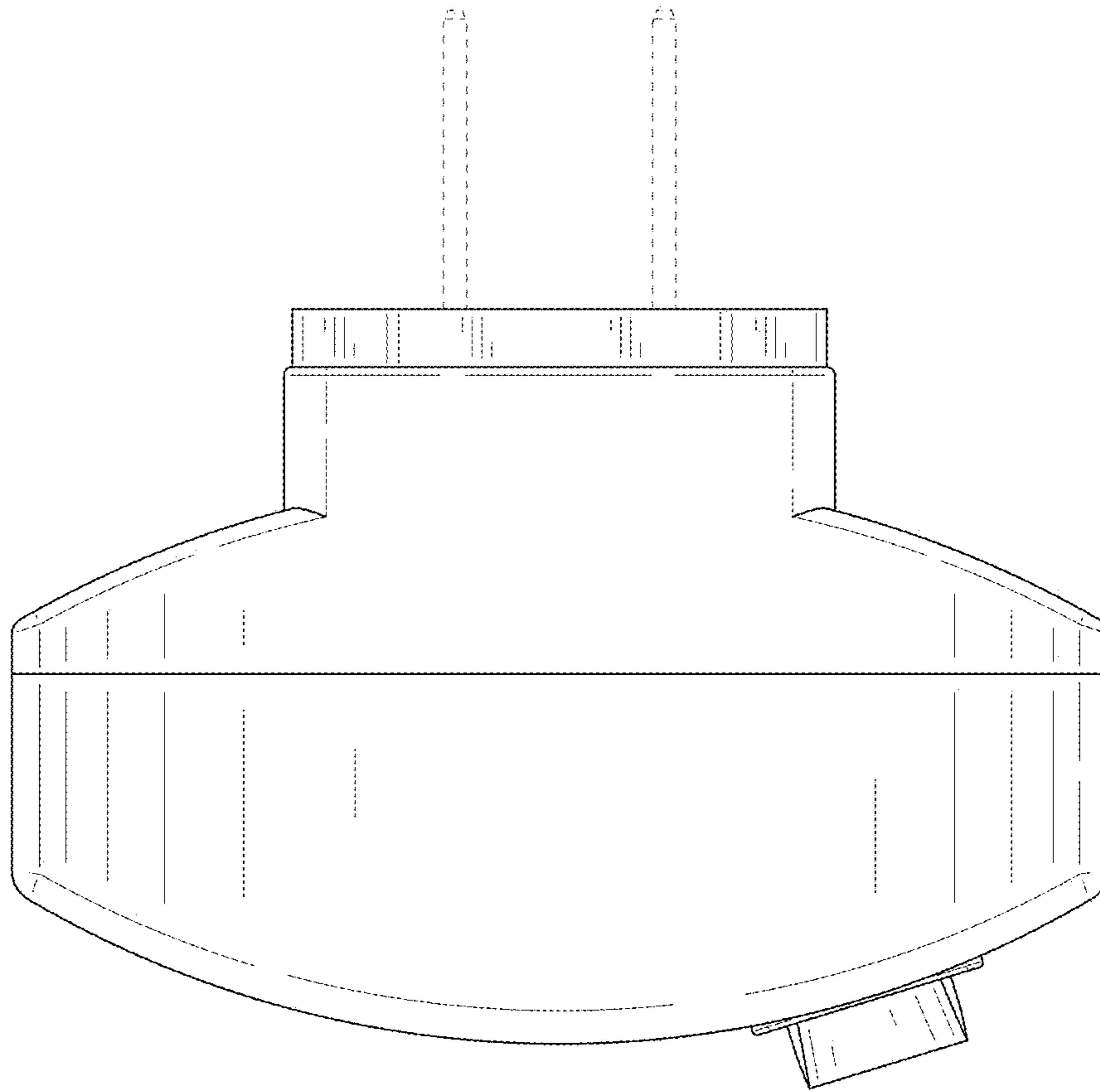


FIG. 7

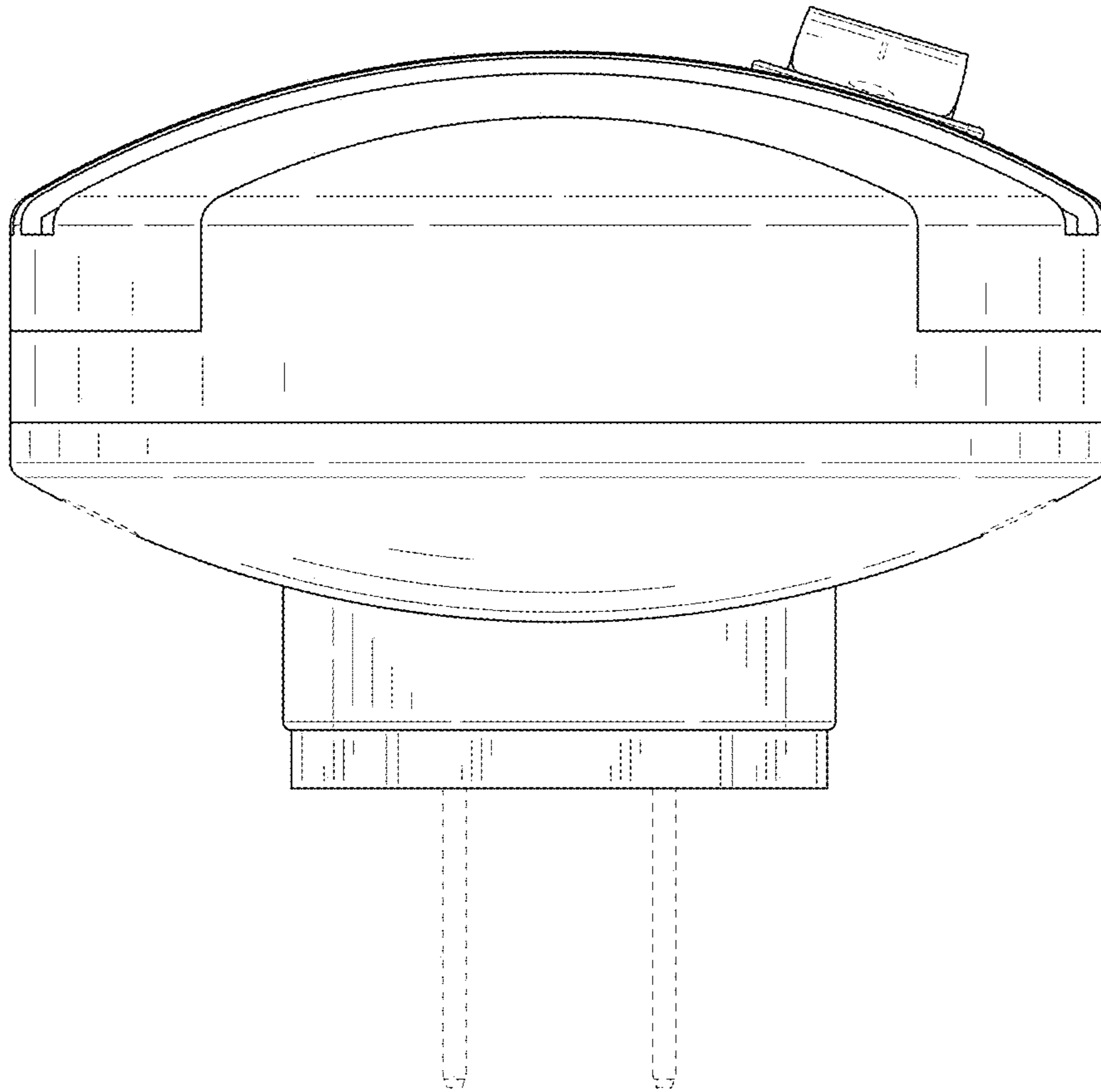


FIG. 8