



US00D983306S

(12) **United States Design Patent** (10) **Patent No.:** **US D983,306 S**
Ding (45) **Date of Patent:** **** Apr. 11, 2023**

(54) **MOUSE TRAP**
(71) Applicant: **Hongdan Ding**, Suzhou (CN)
(72) Inventor: **Hongdan Ding**, Suzhou (CN)
(73) Assignee: **Hongdan Ding**, Suzhou (CN)
(**) Term: **15 Years**

D852,313 S * 6/2019 Luo D22/120
D890,289 S 7/2020 Luo
D915,543 S * 4/2021 Weiser D22/120
11,457,623 B2 * 10/2022 Ledbetter A01M 23/30
11,533,903 B2 * 12/2022 Kletzli A01M 23/18

(21) Appl. No.: **29/862,208**
(22) Filed: **Dec. 7, 2022**
(51) **LOC (14) Cl.** **22-06**
(52) **U.S. Cl.**
USPC **D22/119**
(58) **Field of Classification Search**
USPC D22/119; 43/58, 60-61, 69, 81
CPC A01M 23/00; A01M 23/02; A01M 23/24;
A01M 23/30; A01M 23/245
See application file for complete search history.

FOREIGN PATENT DOCUMENTS

EP 1894469 * 3/2008 A01M 23/36

* cited by examiner

Primary Examiner — Catherine R Oliver-Garcia

(74) *Attorney, Agent, or Firm* — Nitin Kaushik

(57) **CLAIM**

The ornamental design for a mouse trap, as shown and described.

DESCRIPTION

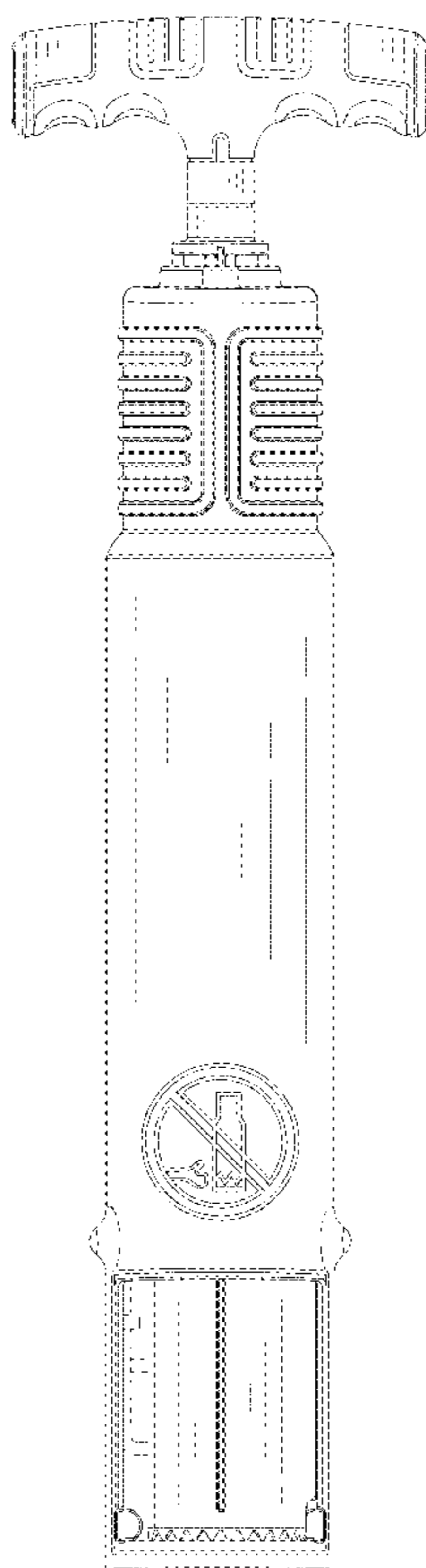
FIG. 1 is a rear perspective view of a mouse trap, showing my new design;
FIG. 2 is a front perspective view thereof;
FIG. 3 is a front view thereof;
FIG. 4 is a rear view thereof;
FIG. 5 is a left side view thereof;
FIG. 6 is a right side view thereof;
FIG. 7 is a top view thereof; and,
FIG. 8 is a bottom view thereof.
The broken lines in the drawings illustrate the portions of the mouse trap, which form no part of the claimed design.

(56) **References Cited**

U.S. PATENT DOCUMENTS

2,104,083 A * 1/1938 Krahl A01M 23/24
43/78
5,224,287 A * 7/1993 Knudsen A01M 23/36
43/75
6,158,166 A * 12/2000 Snell A01M 31/002
43/132.1
8,640,379 B2 * 2/2014 Clark A01M 23/36
43/79

1 Claim, 8 Drawing Sheets



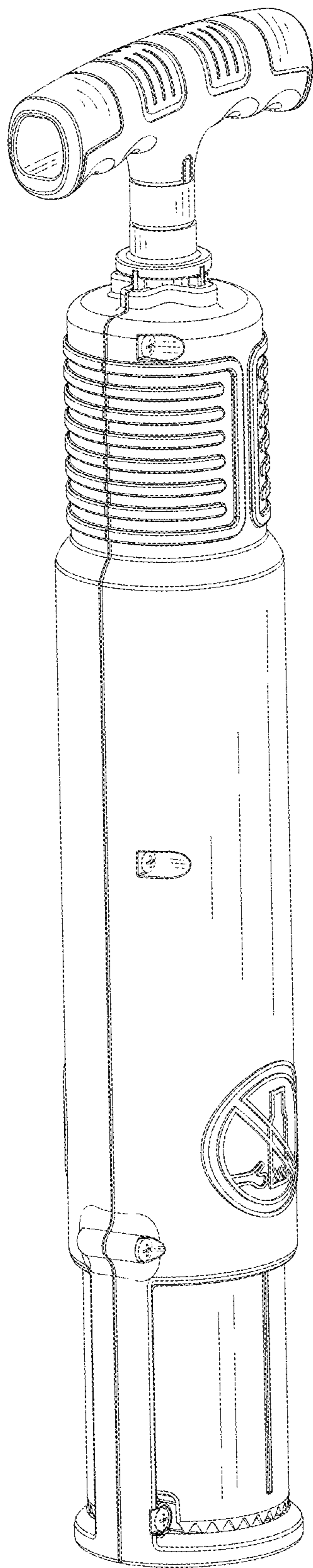


FIG. 1

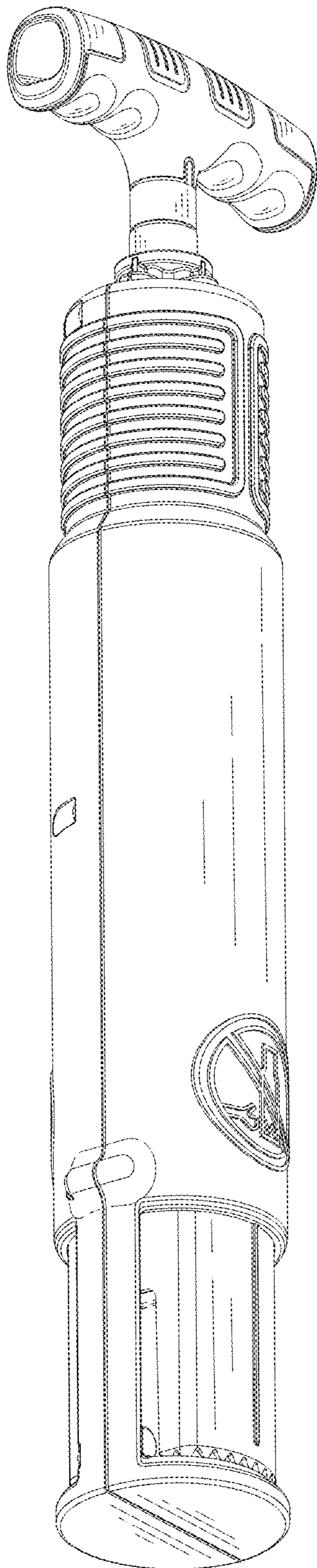


FIG. 2

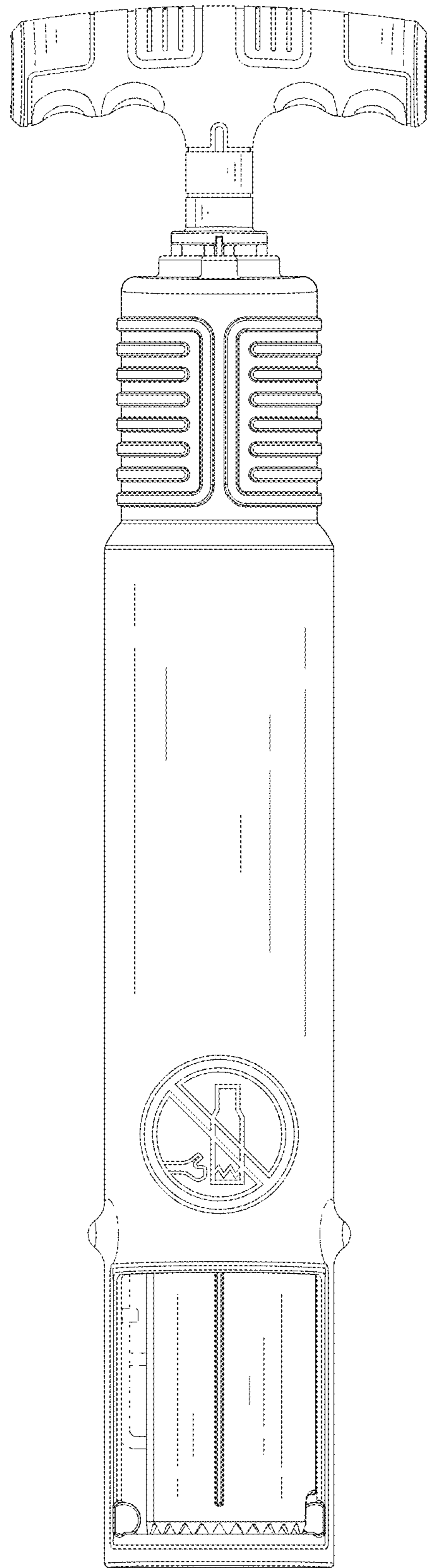


FIG. 3

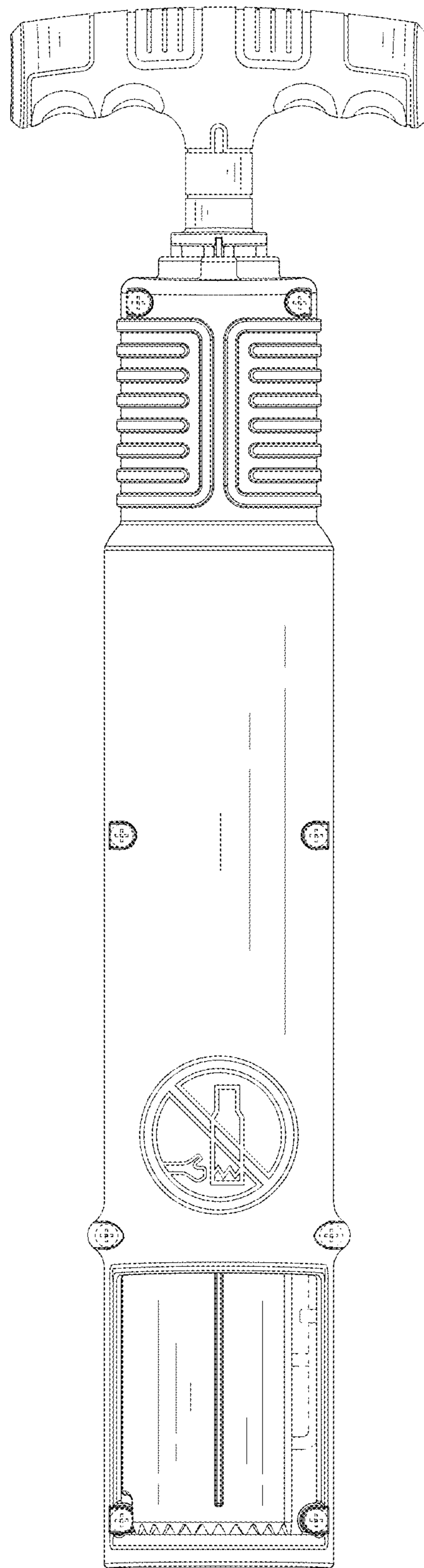


FIG. 4

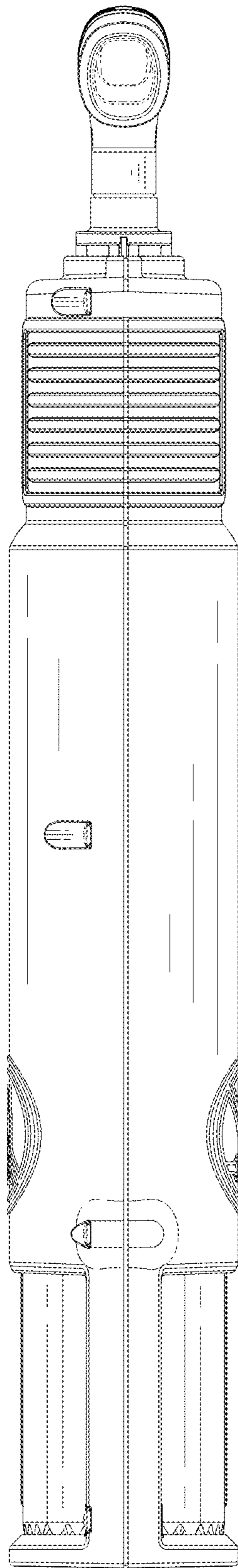


FIG. 5

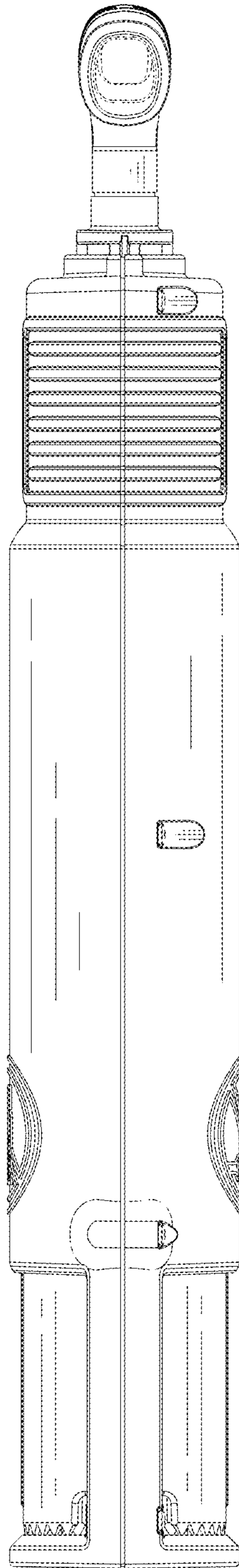


FIG. 6

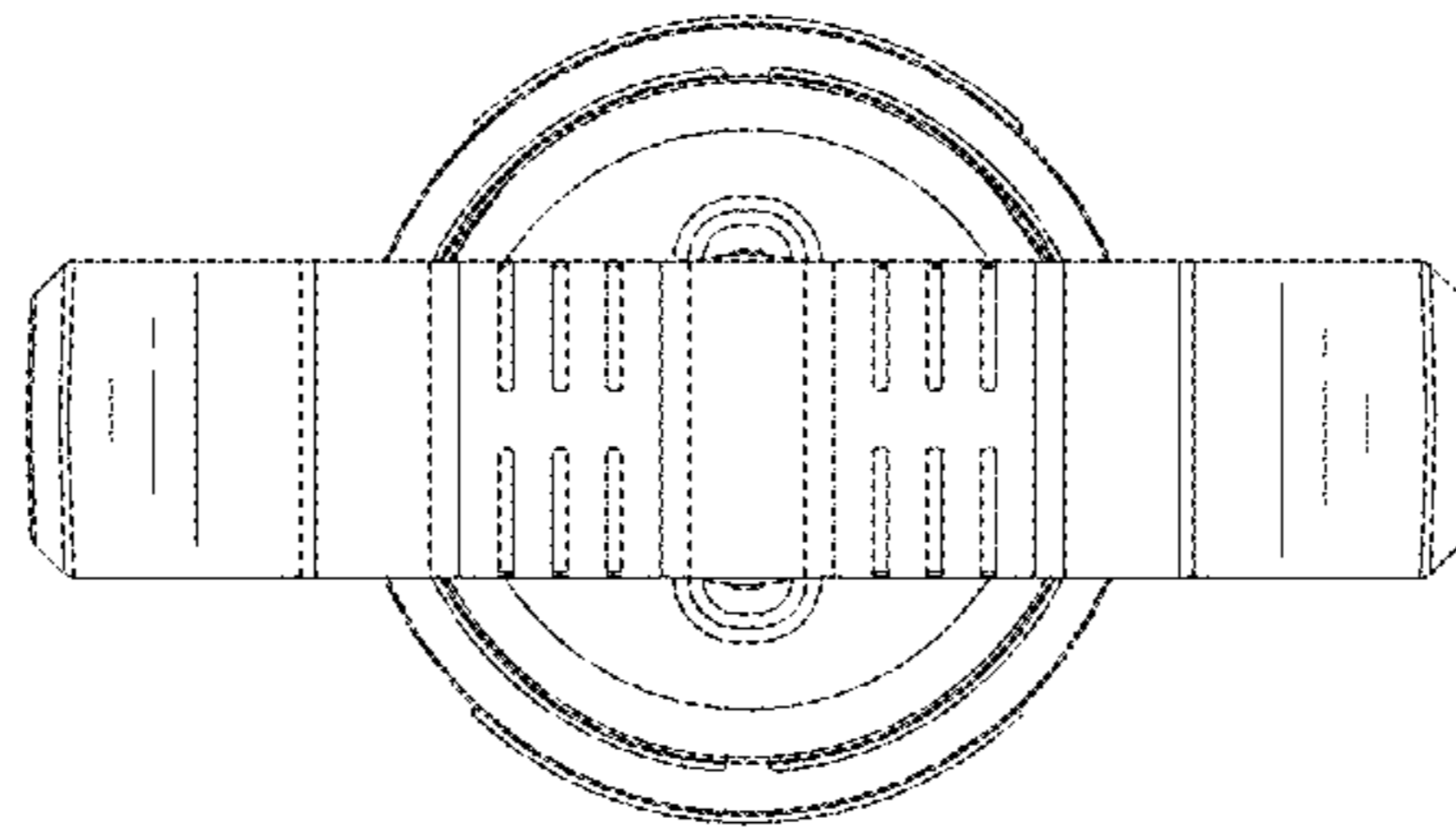


FIG. 7

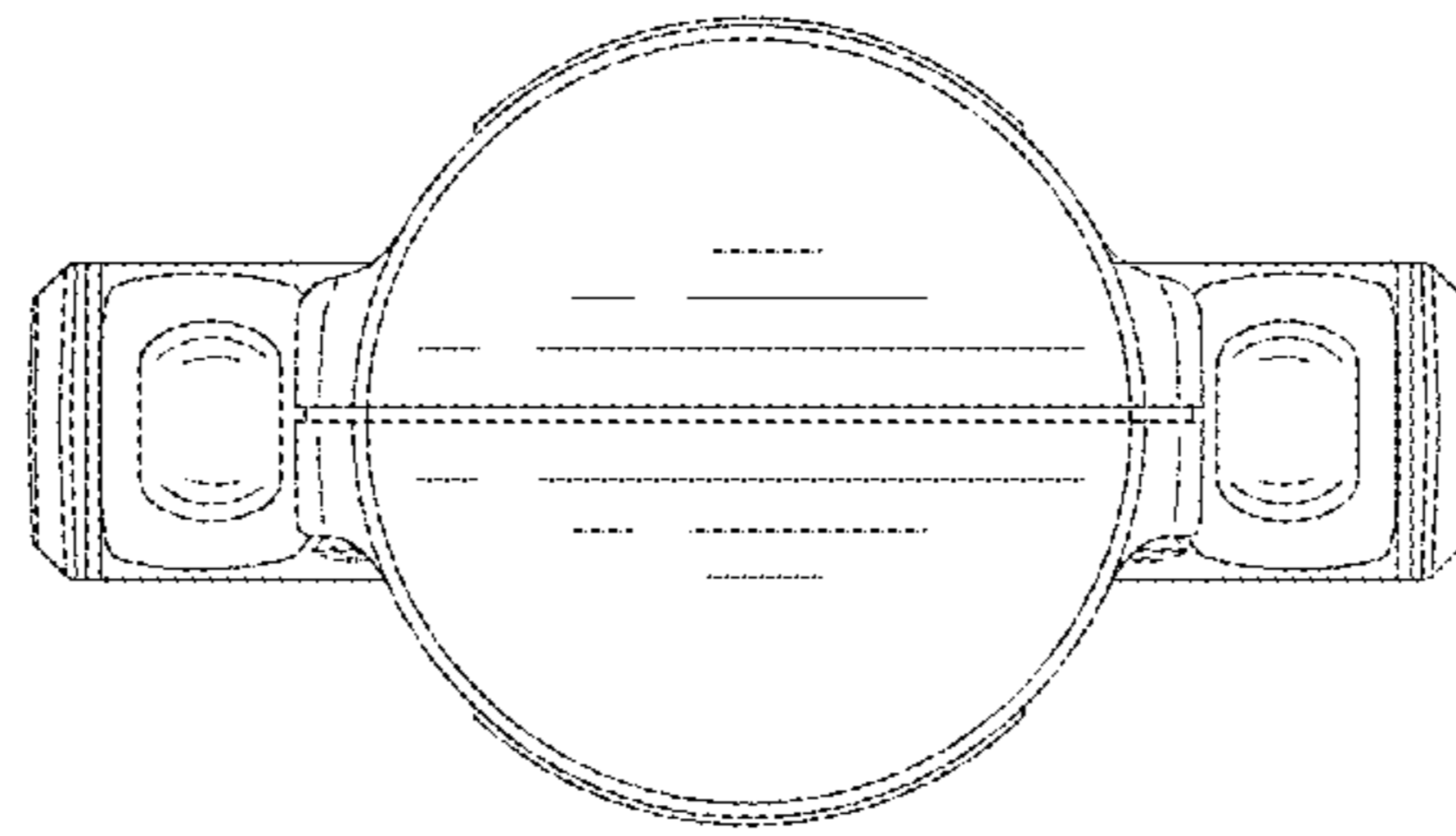


FIG. 8