



US00D983305S

(12) **United States Design Patent**
Liu

(10) **Patent No.:** **US D983,305 S**
(45) **Date of Patent:** **** Apr. 11, 2023**

(54) **LASER SIGHT**

(71) Applicant: **SHENZHEN JIAWO INDUSTRIAL CO., LTD.**, Shenzhen (CN)

(72) Inventor: **Huizhu Liu**, Shenzhen (CN)

(**) Term: **15 Years**

(21) Appl. No.: **29/862,220**

(22) Filed: **Dec. 7, 2022**

(51) **LOC (14) Cl.** **22-01**

(52) **U.S. Cl.**
USPC **D22/109; D26/60**

(58) **Field of Classification Search**

USPC D22/108, 109, 110; D26/60; D16/220
CPC F41G 1/14; F41G 1/38; F41G 1/40; F41G
1/16; F41G 1/02; F41G 1/06

See application file for complete search history.

(56) **References Cited**

U.S. PATENT DOCUMENTS

D609,379 S *	2/2010	Lee	D26/60
D646,818 S *	10/2011	Ueda	D26/60
D647,159 S *	10/2011	Kobayashi	D22/109
D662,636 S *	6/2012	Katsaros	D26/60
D682,977 S *	5/2013	Thummel	D10/70
D746,405 S *	12/2015	Nemeyer	D22/109
D749,689 S *	2/2016	Cheng	D22/109
D781,983 S *	3/2017	Wells	D22/108
D809,692 S *	2/2018	Tsao	D26/60
D834,133 S *	11/2018	Wright	D22/109
D862,633 S *	10/2019	Tuller	D22/109
D873,946 S *	1/2020	Hedeen	D22/109
D964,500 S	9/2022	Li		
2015/0276352 A1 *	10/2015	Chang	F41G 11/003 42/114
2019/0360778 A1 *	11/2019	Oliver	G02B 27/20

OTHER PUBLICATIONS

“Sightmark LoPro Designator Sight with Green Laser (SM25001),Black” [online]. Sightmark. [Product first available on Aug. 25, 2012]. Retrieved from the Internet: <<https://www.amazon.com/dp/B00926ANUK>>.*

“Sightmark LoPro Mini Green Laser Sight” [online]. Sightmark. [Product first available on Feb. 6, 2019]. Retrieved from the Internet: <<https://www.amazon.com/dp/B07NFFW7N9>>.*

“Firefield Charge Laser” [online]. Firefield. [Product first available on Oct. 28, 2016]. Retrieved from the Internet: <<https://www.amazon.com/dp/B01M9GZ4MY>>.*

“Civilian AN/PEQ-15 (Atpial-C) by TNVC & L-3 Coming Soon” [online]. Nathan S. [Published on Sep. 5, 2014]. Retrieved from the Internet: <<https://www.thefirearmblog.com/blog/2014/09/05/civilian-anpeq-15-atpial-c-tnvc-l-3-coming-soon/>>.*

* cited by examiner

Primary Examiner — Mojtaba Tehrani

(57) **CLAIM**

The ornamental design for a laser sight, as shown and described.

DESCRIPTION

FIG. 1 is a front perspective view of a laser sight, showing my new design;

FIG. 2 is a rear perspective view thereof;

FIG. 3 is a right side view thereof;

FIG. 4 is a left side view thereof;

FIG. 5 is a front view thereof;

FIG. 6 is a rear view thereof;

FIG. 7 is a top view thereof;

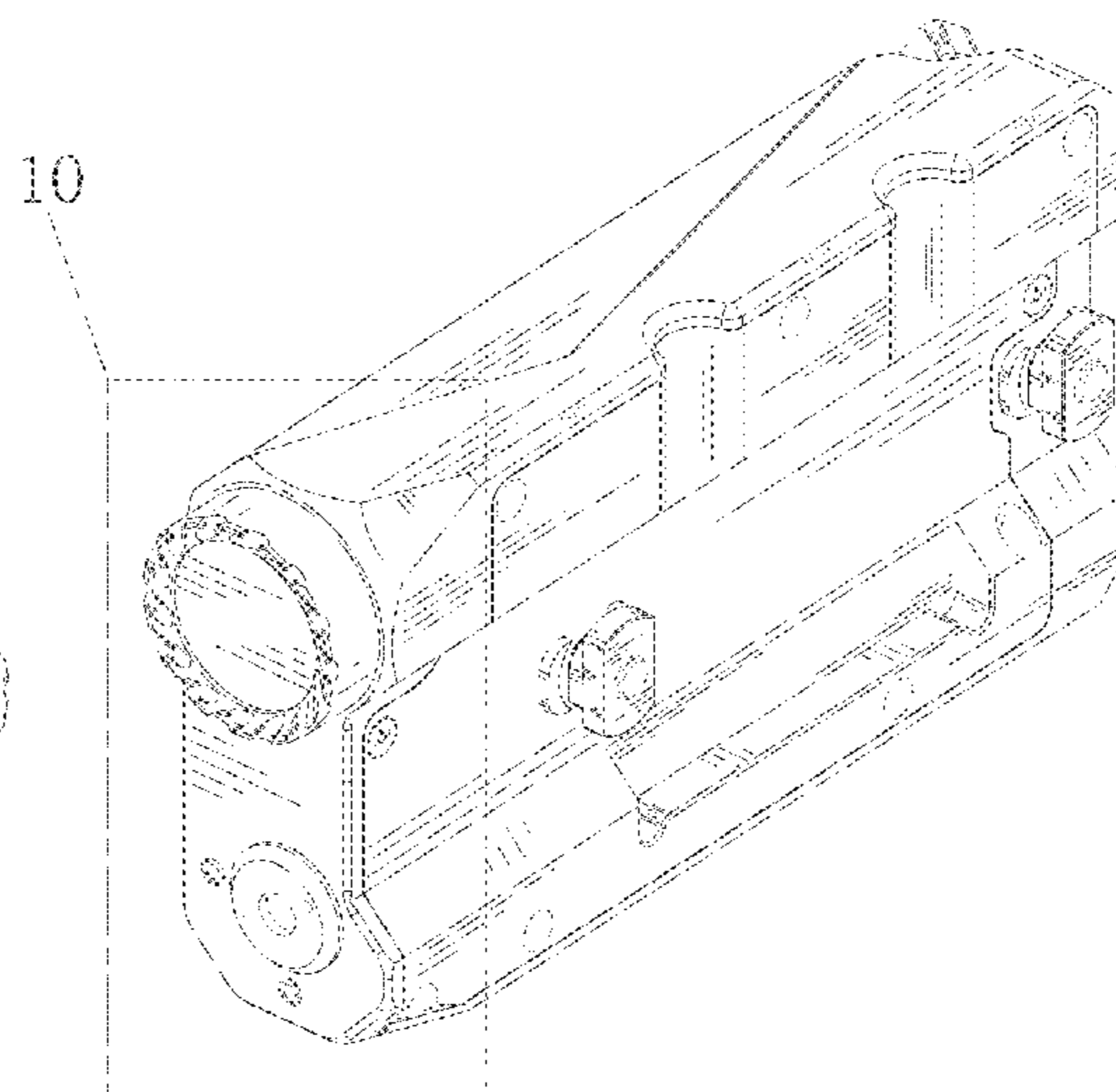
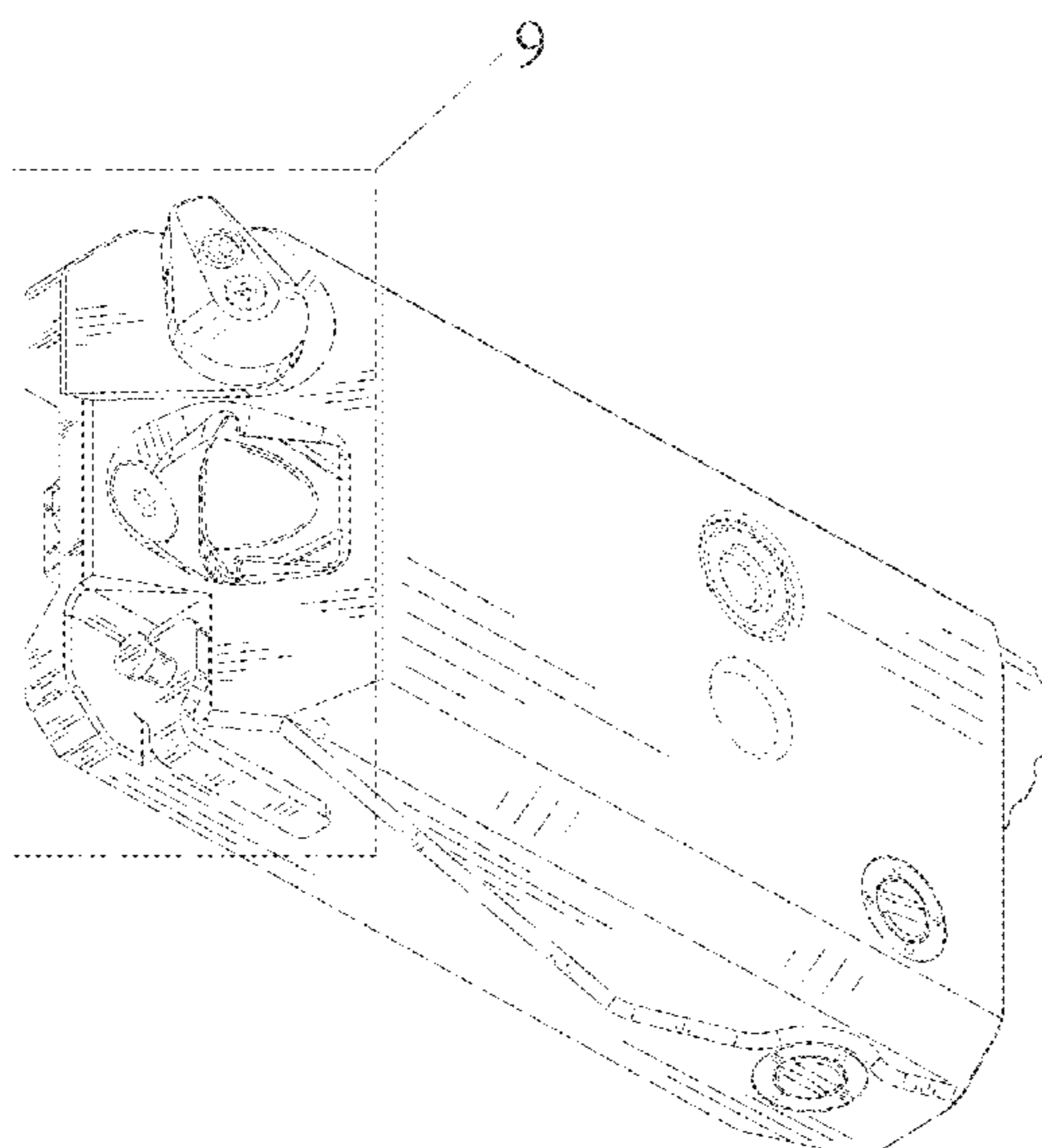
FIG. 8 is a bottom view thereof;

FIG. 9 is a partial enlargement of FIG. 1; and,

FIG. 10 is a partial enlargement of FIG. 2.

The evenly broken line within the drawings discloses unclaimed portions of the laser sight; the dash-dot type broken line discloses unclaimed bounds of the detailed views; the broken lines form no part of the claimed design.

1 Claim, 10 Drawing Sheets



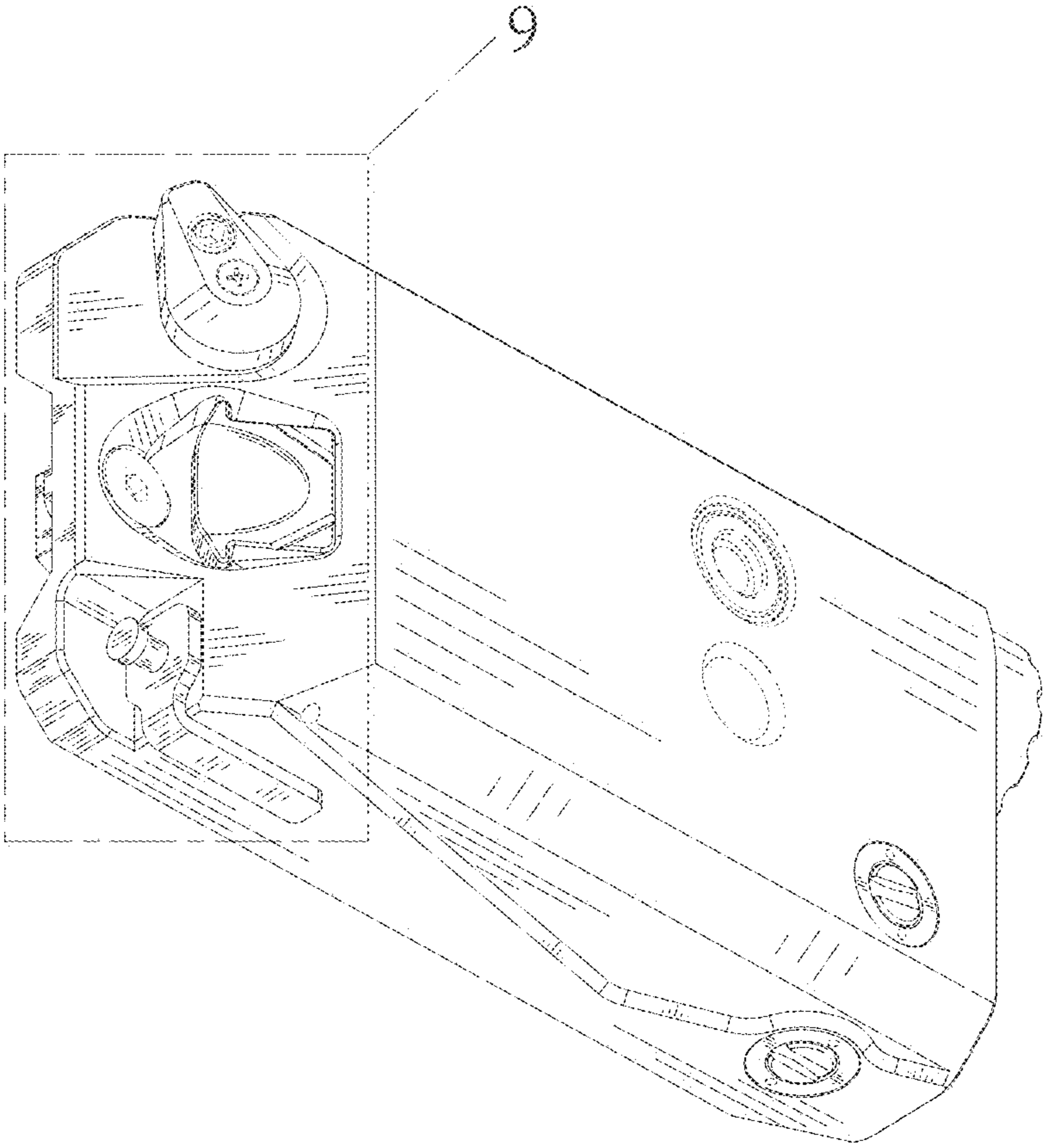


FIG.1

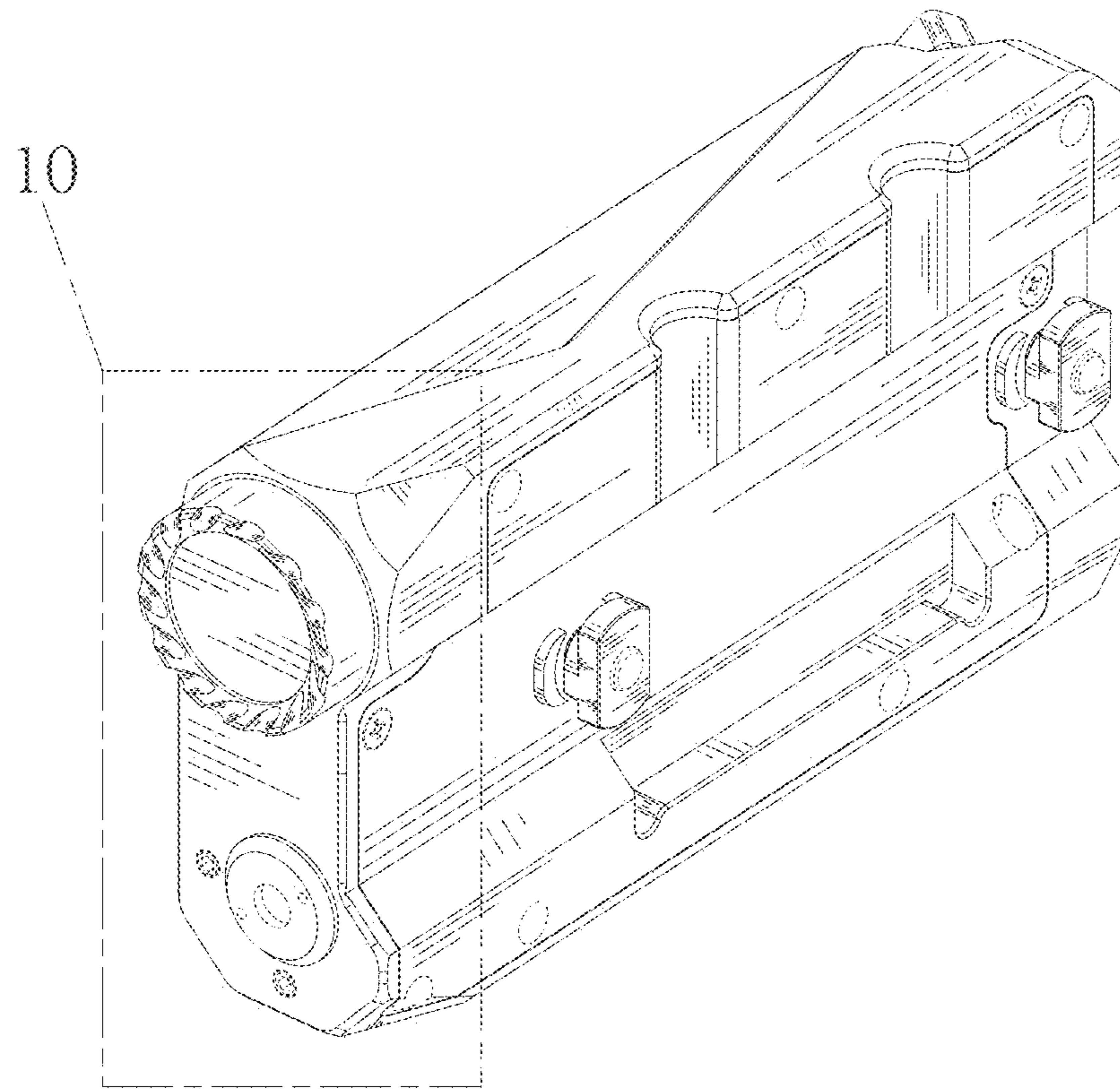


FIG.2

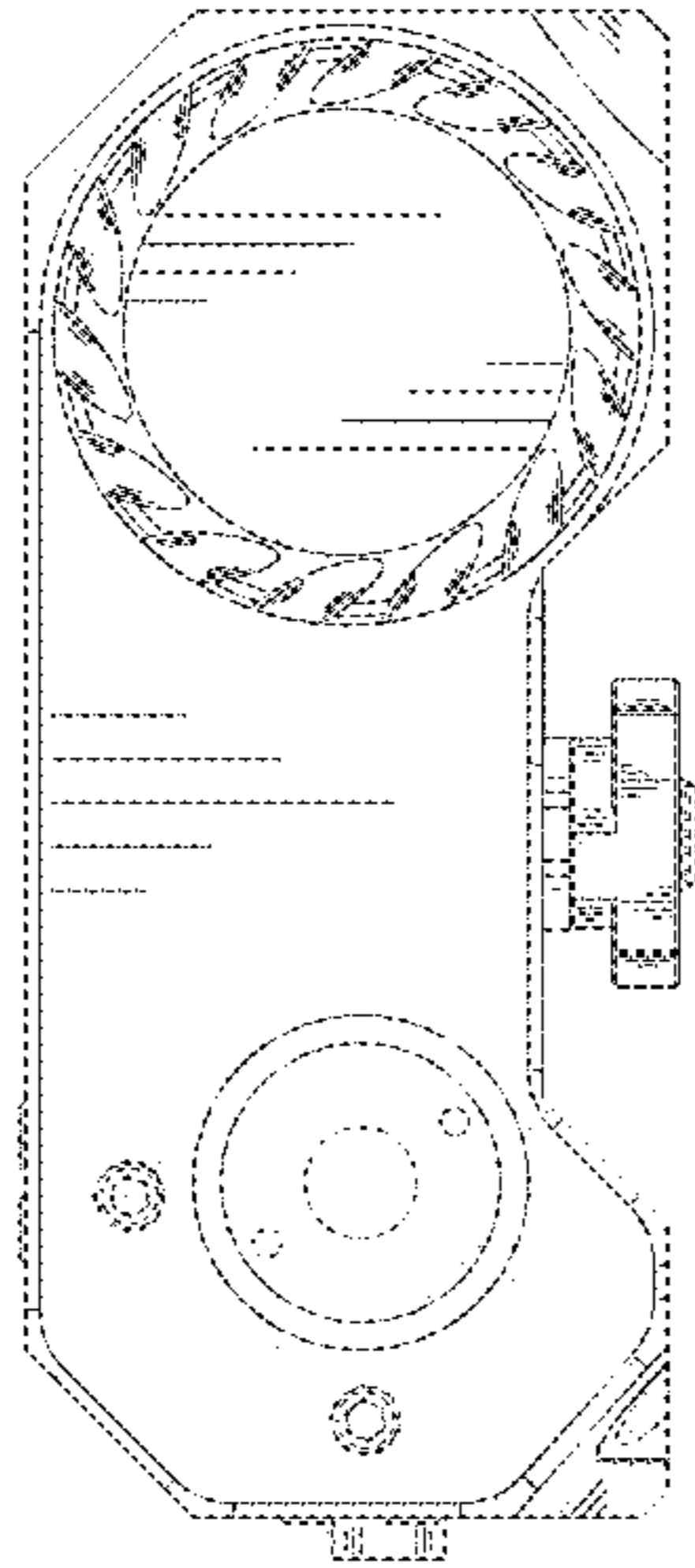


FIG.3

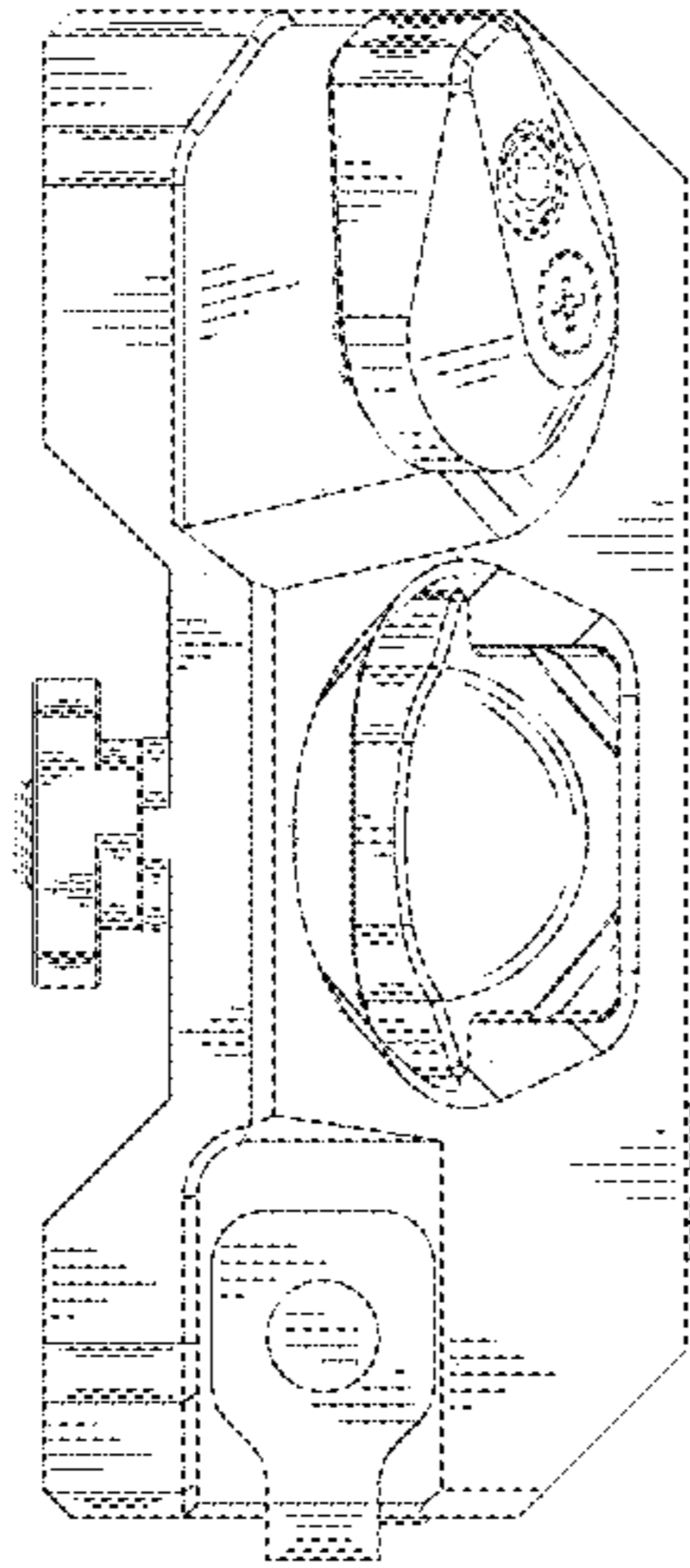


FIG.4

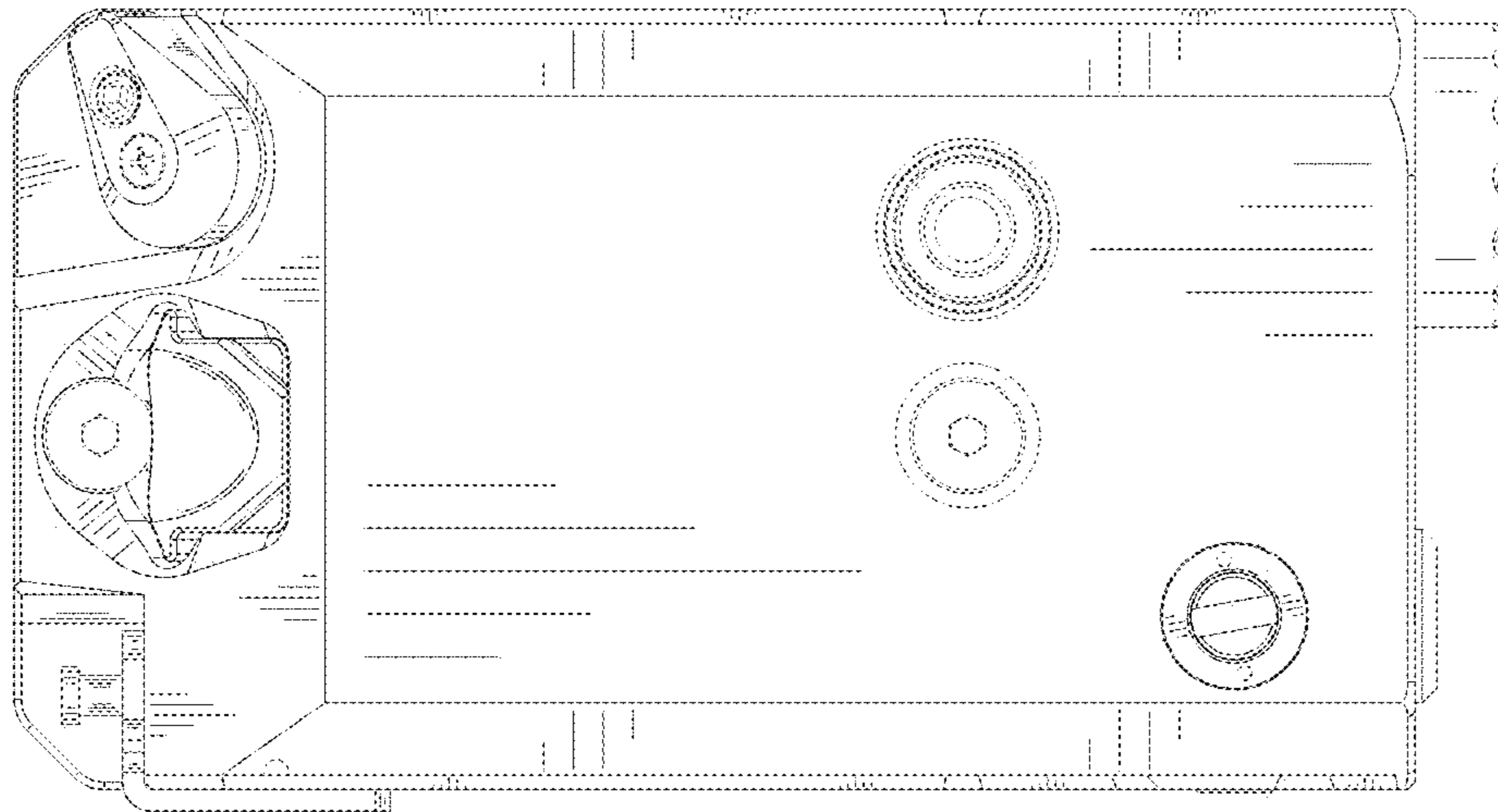


FIG. 5

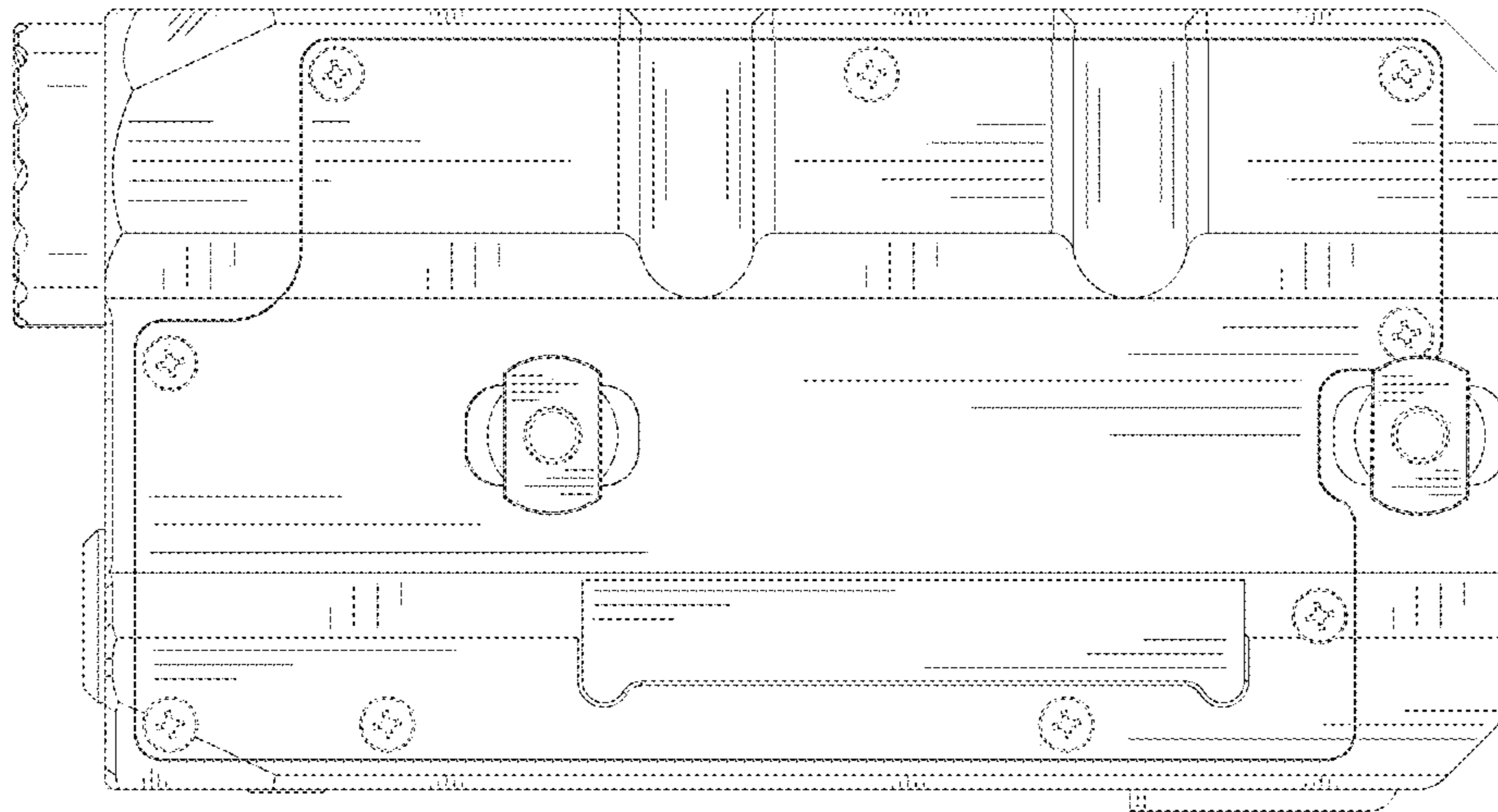


FIG.6

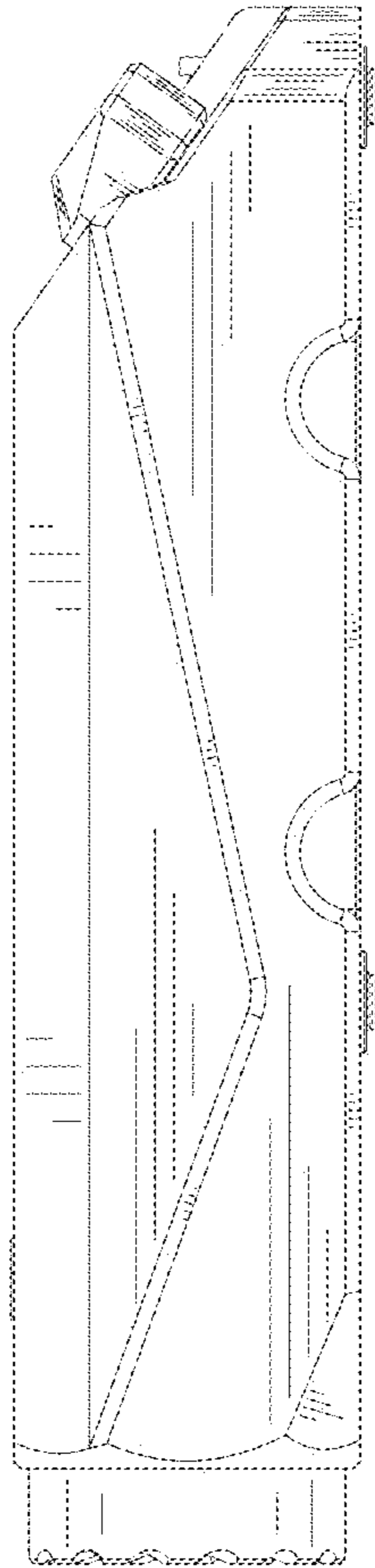


FIG.7

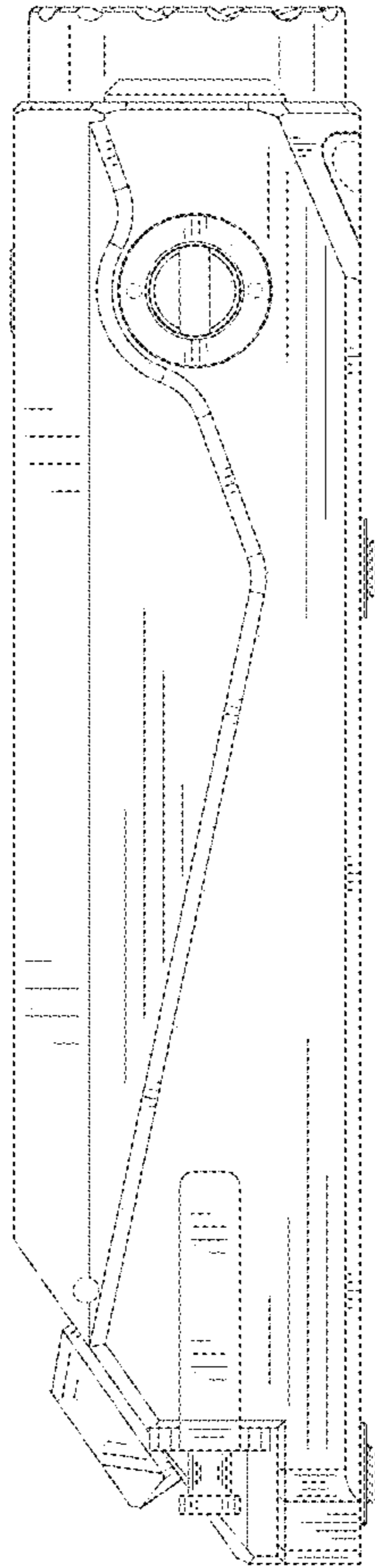


FIG.8

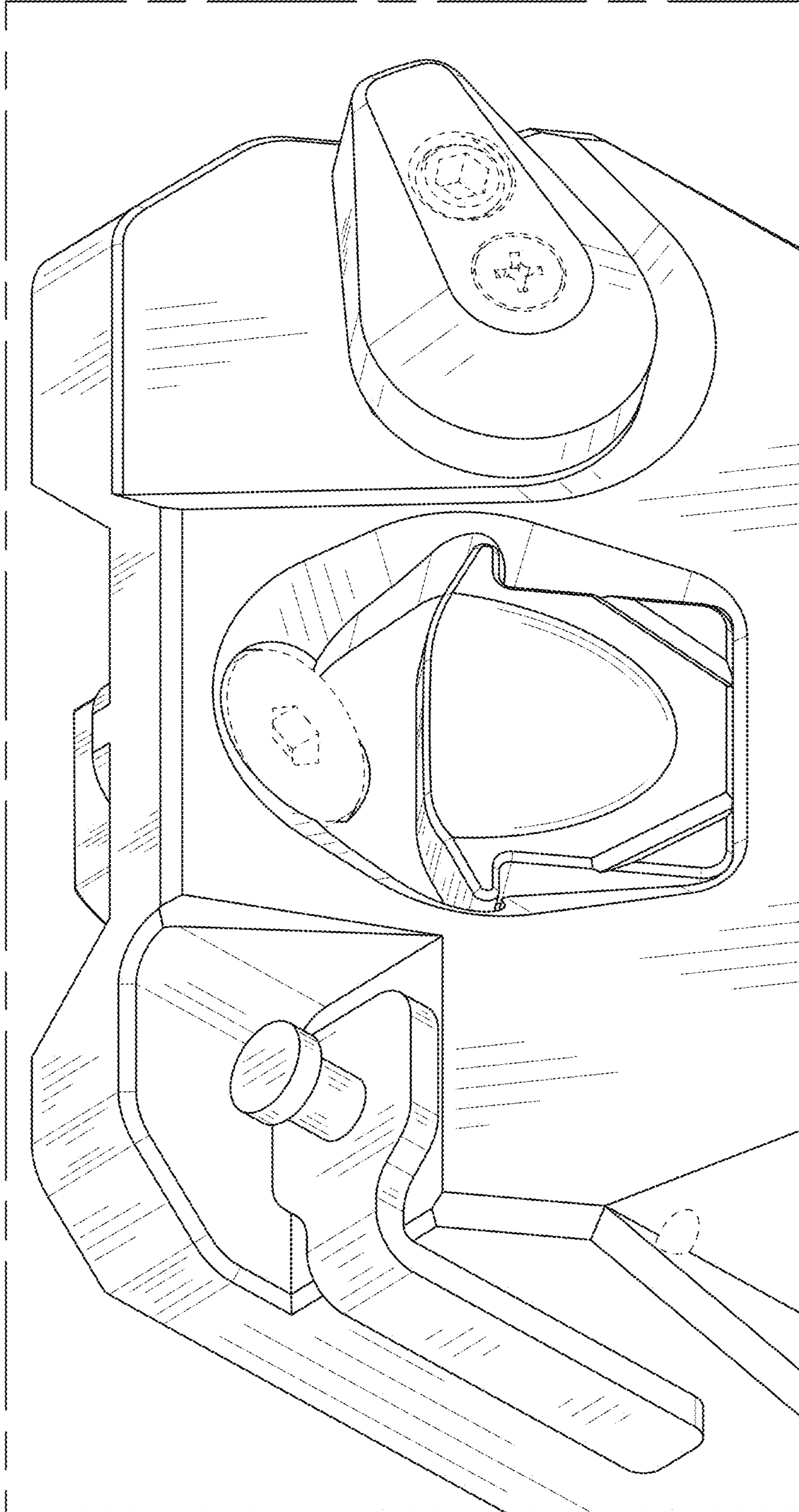


FIG. 9

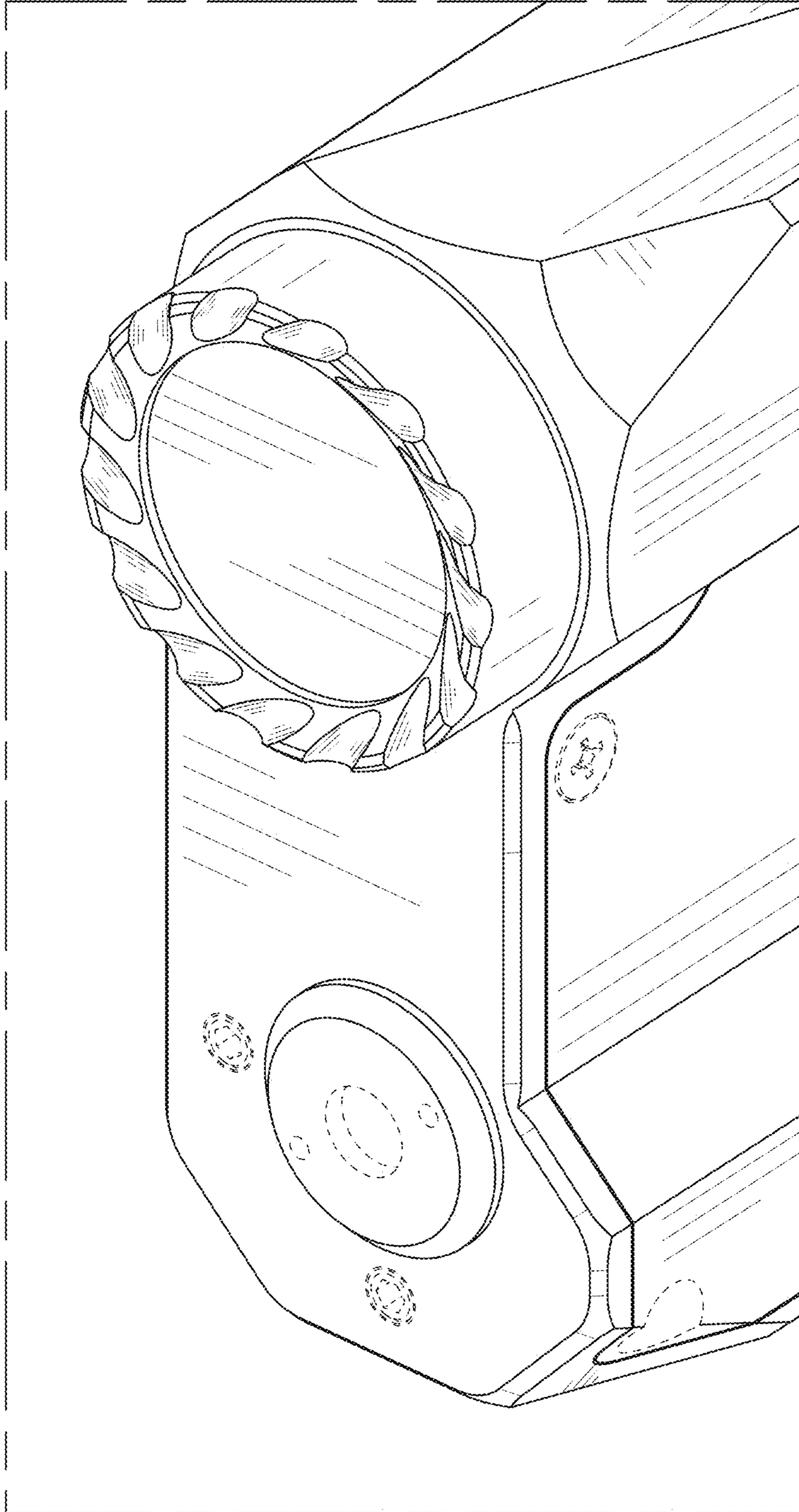


FIG.10