



US00D983304S

(12) **United States Design Patent**
Steinman

(10) **Patent No.:** **US D983,304 S**

(45) **Date of Patent:** **** Apr. 11, 2023**

(54) **WATER SLIDE**

(71) Applicant: **Global Pool Products**, Bad Axe, MI
(US)

(72) Inventor: **Joshua Donald Steinman**, Pigeon, MI
(US)

(**) Term: **15 Years**

(21) Appl. No.: **29/775,040**

(22) Filed: **Mar. 20, 2021**

(51) **LOC (14) Cl.** **21-03**

(52) **U.S. Cl.**
USPC **D21/819**

(58) **Field of Classification Search**
USPC D21/818, 819, 814, 530
See application file for complete search history.

(56) **References Cited**

U.S. PATENT DOCUMENTS

3,083,015	A *	3/1963	Barenholtz	A63G 21/00	193/12
D218,625	S *	9/1970	Ahrens	472/116	
3,556,522	A *	1/1971	Gale	A63G 21/00	472/116
3,565,226	A *	2/1971	Winchester	B65G 11/063	193/12
D227,382	S *	6/1973	Wormser et al.	D21/821	
3,814,418	A *	6/1974	Henning	B21D 53/00	193/12
D268,859	S *	5/1983	Ament	D21/820	
4,865,311	A *	9/1989	Beekenkamp	A63G 21/10	104/56
4,893,807	A *	1/1990	Ahrens	A63G 21/10	104/69
D335,517	S *	5/1993	Vatterot	D21/821	
D703,782	S *	4/2014	Svensen	D21/821	
2014/0213379	A1 *	7/2014	Svensen	A63G 21/18	472/117

OTHER PUBLICATIONS

S.R. Smith, announced 2018 [online], [site visited Jun. 14, 2022], Available on internet, URL: <https://www.amazon.com/S-R-Smith-helix2-640-209-58123-Slide-Sandstone/dp/B00BMJPIXW/ref> (Year: 2018).*

S.R. Smith, announced 2018 [online], [site visited Jun. 14, 2022], Available on internet, URL: Helix Pool Slide Assembly Video by SR Smith (Year: 2020).*

SR Smith Cyclone Pool Slide, Web Page: <<https://www.srsmith.com/en-us/products/pool-slides/cyclone/>> retrieved from Internet Nov. 2021.

SR Smith Typhoon Pool Slide, Web Page: <<https://www.srsmith.com/en-us/products/pool-slides/typhoon/>> retrieved from Internet Nov. 2021.

SR Smith Helix Pool Slide, Web Page: <<https://www.srsmith.com/en-us/products/pool-slides/helix2/>> retrieved from Internet Nov. 2021.

* cited by examiner

Primary Examiner — Khawaja Anwar

Assistant Examiner — Julice Seung Eun Oum

(74) *Attorney, Agent, or Firm* — Mechanicus PLLC

(57) **CLAIM**

The ornamental design for a water slide, as shown and described.

DESCRIPTION

FIG. 1 is an environmental left back perspective view of a water slide embodying my design.

FIG. 2 is a front elevational view thereof.

FIG. 3 is a right side elevational view thereof.

FIG. 4 is a left side elevational view thereof.

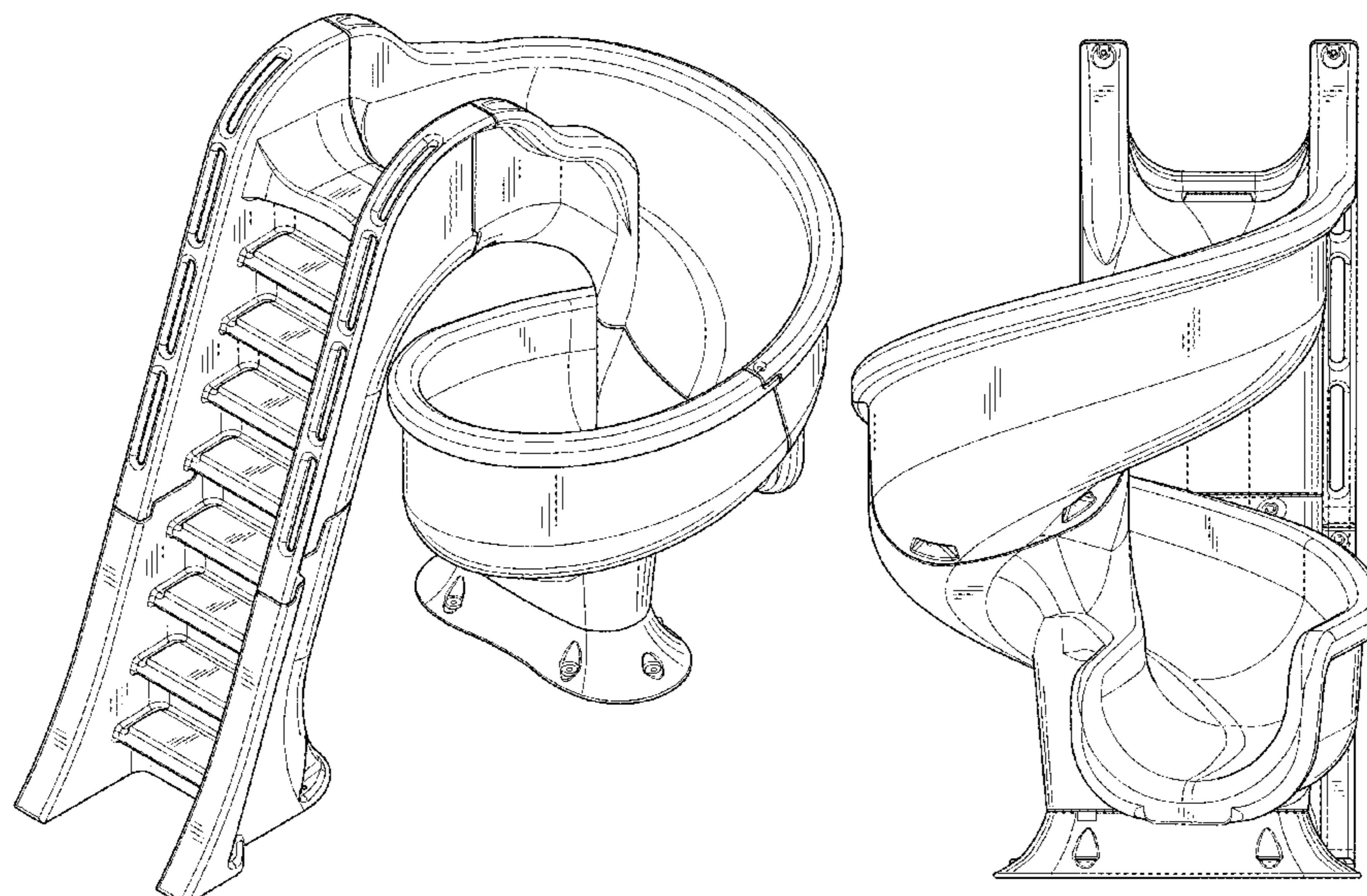
FIG. 5 is a rear elevational view thereof.

FIG. 6 is a top plan view thereof; and,

FIG. 7 is a bottom view thereof.

The broken lines showing in FIG. 7 form no part of the claimed design.

1 Claim, 6 Drawing Sheets



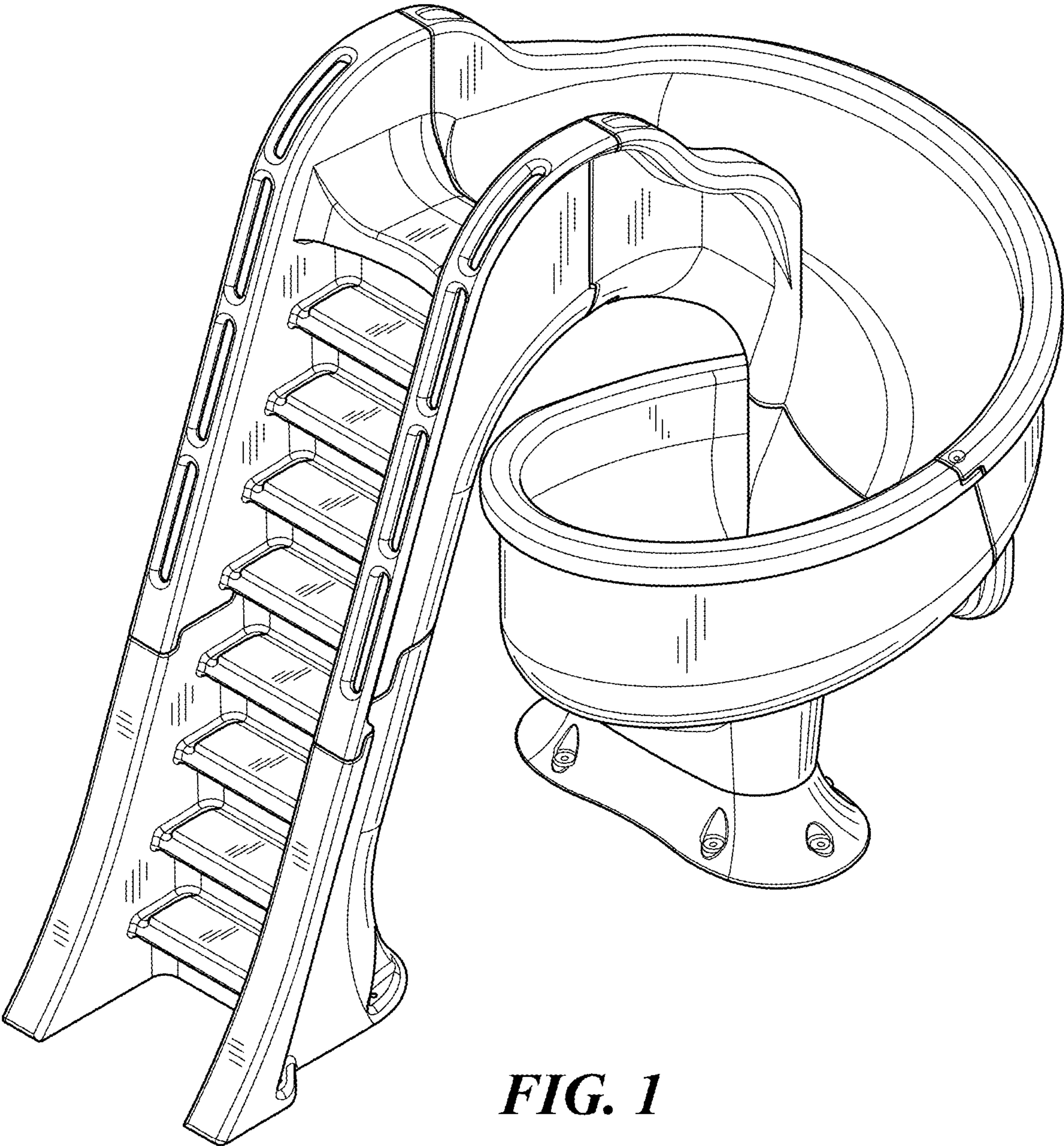


FIG. 1

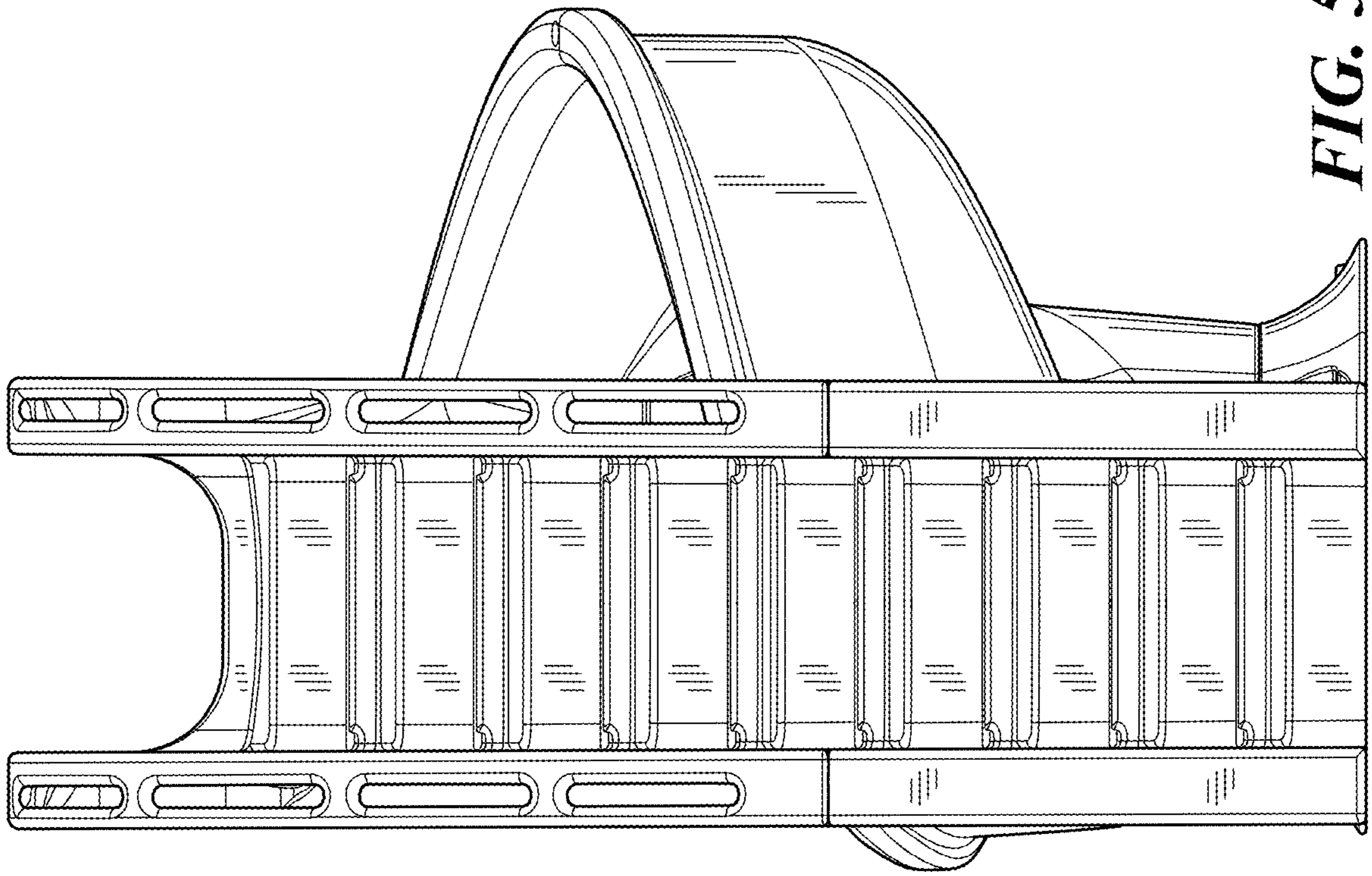


FIG. 5

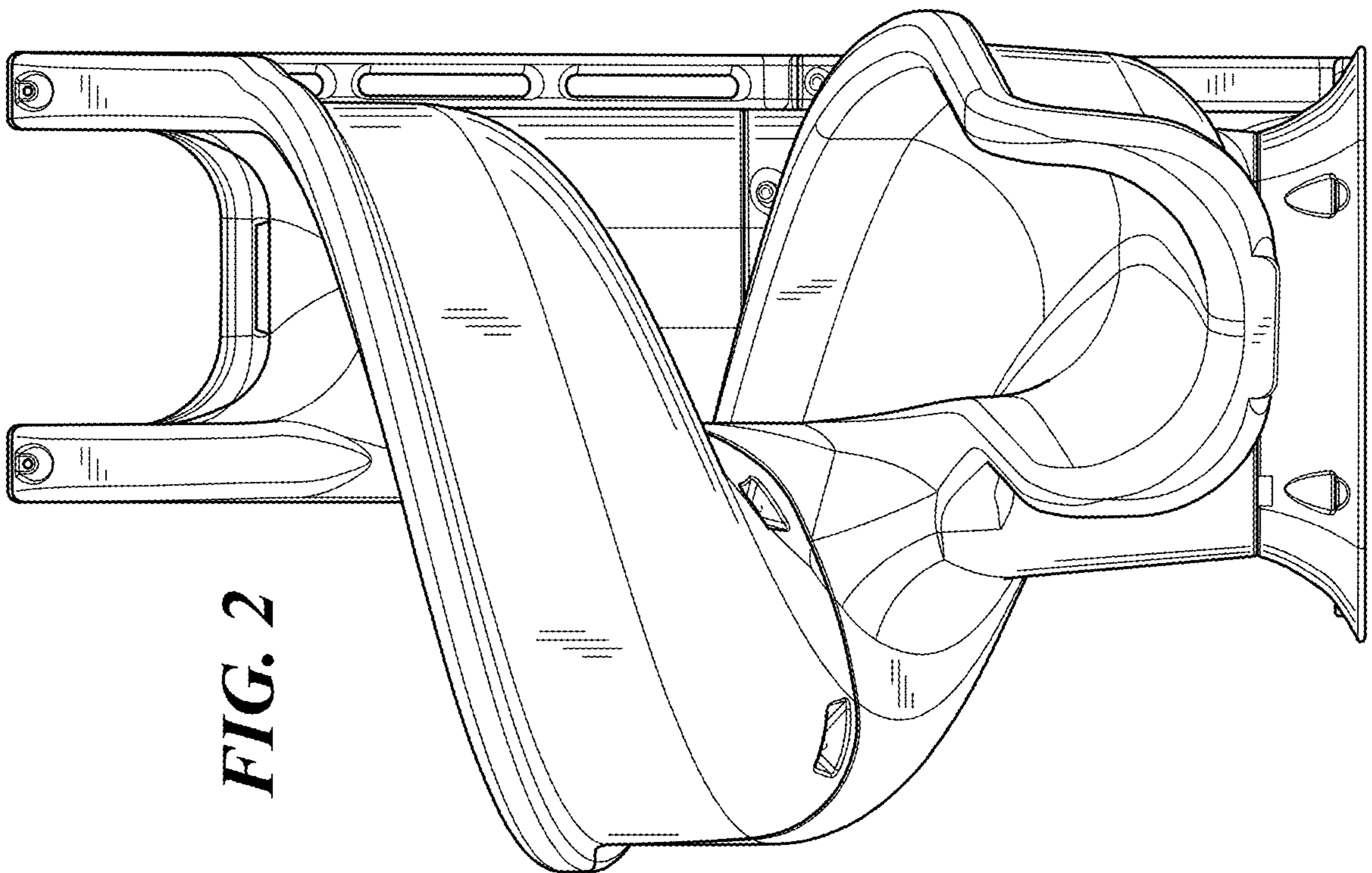
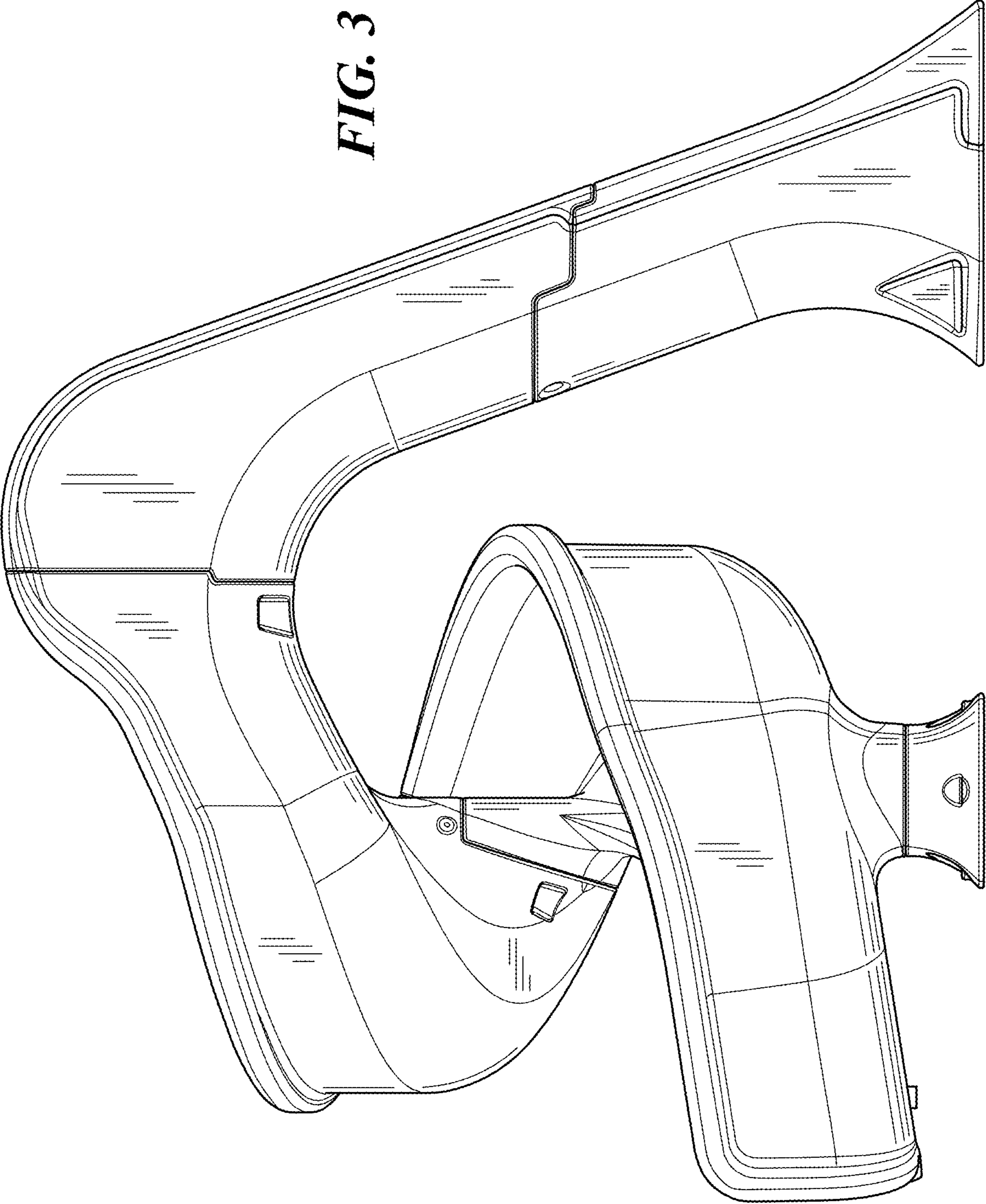


FIG. 2

FIG. 3



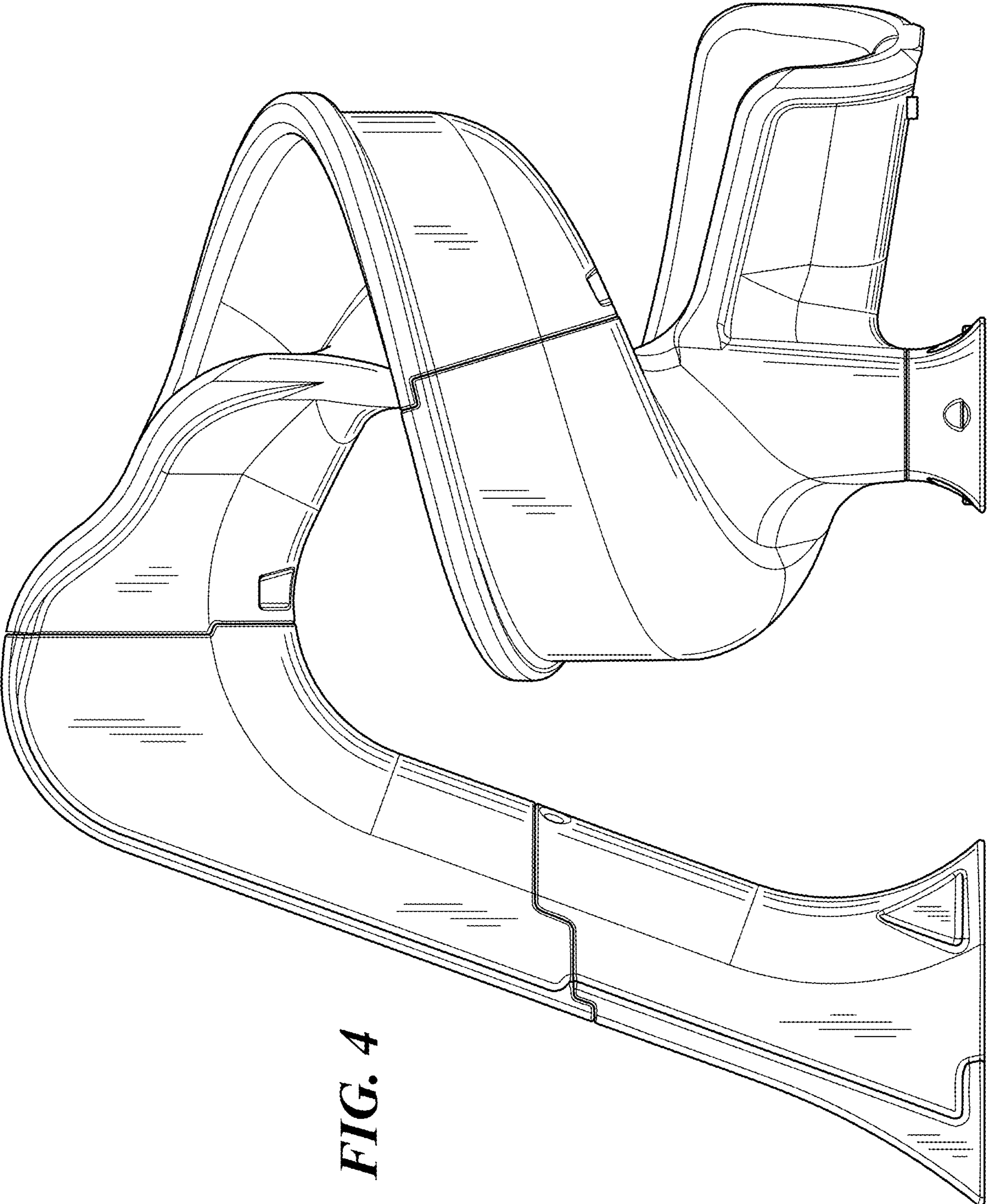


FIG. 4

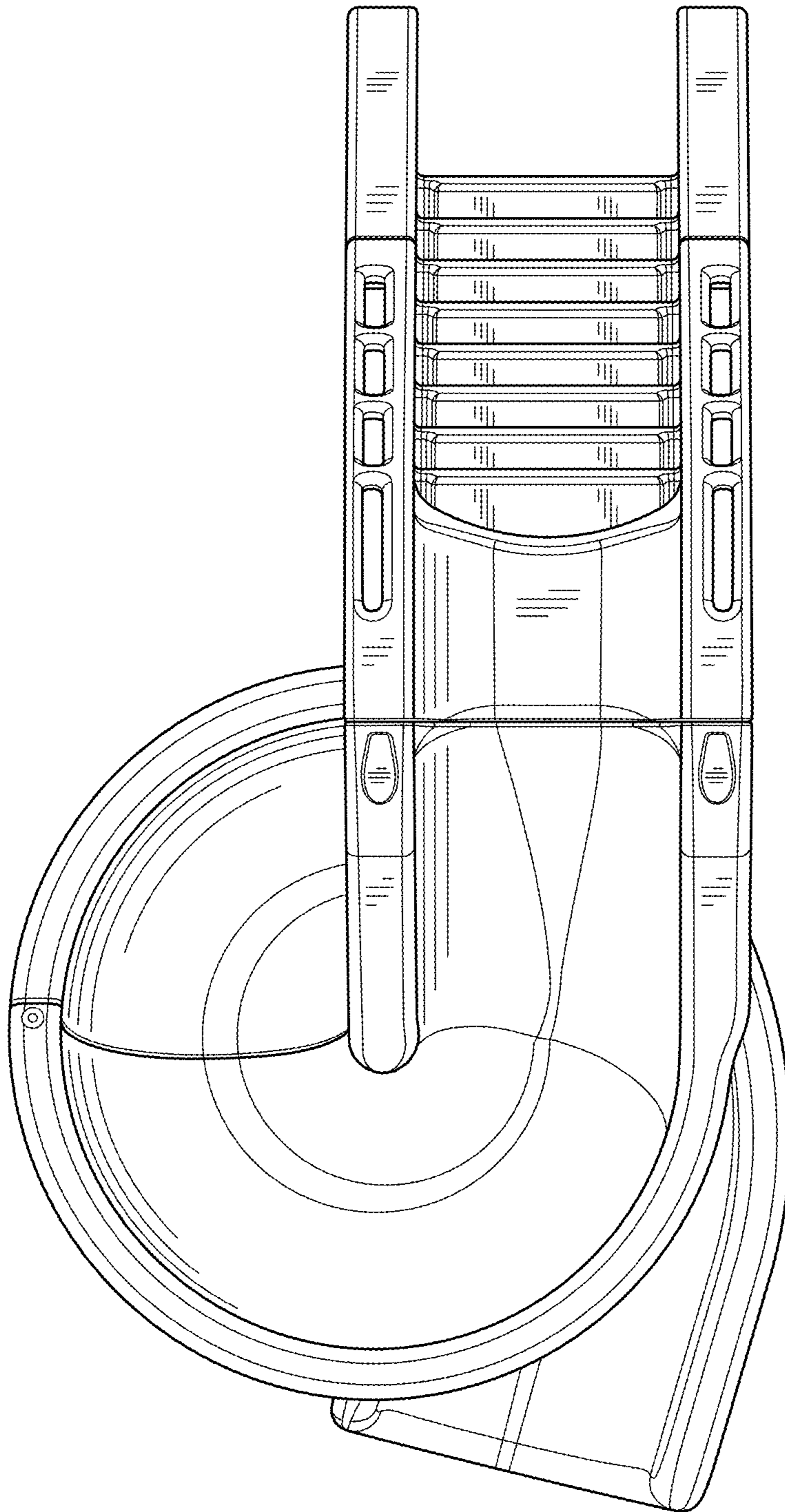


FIG. 6

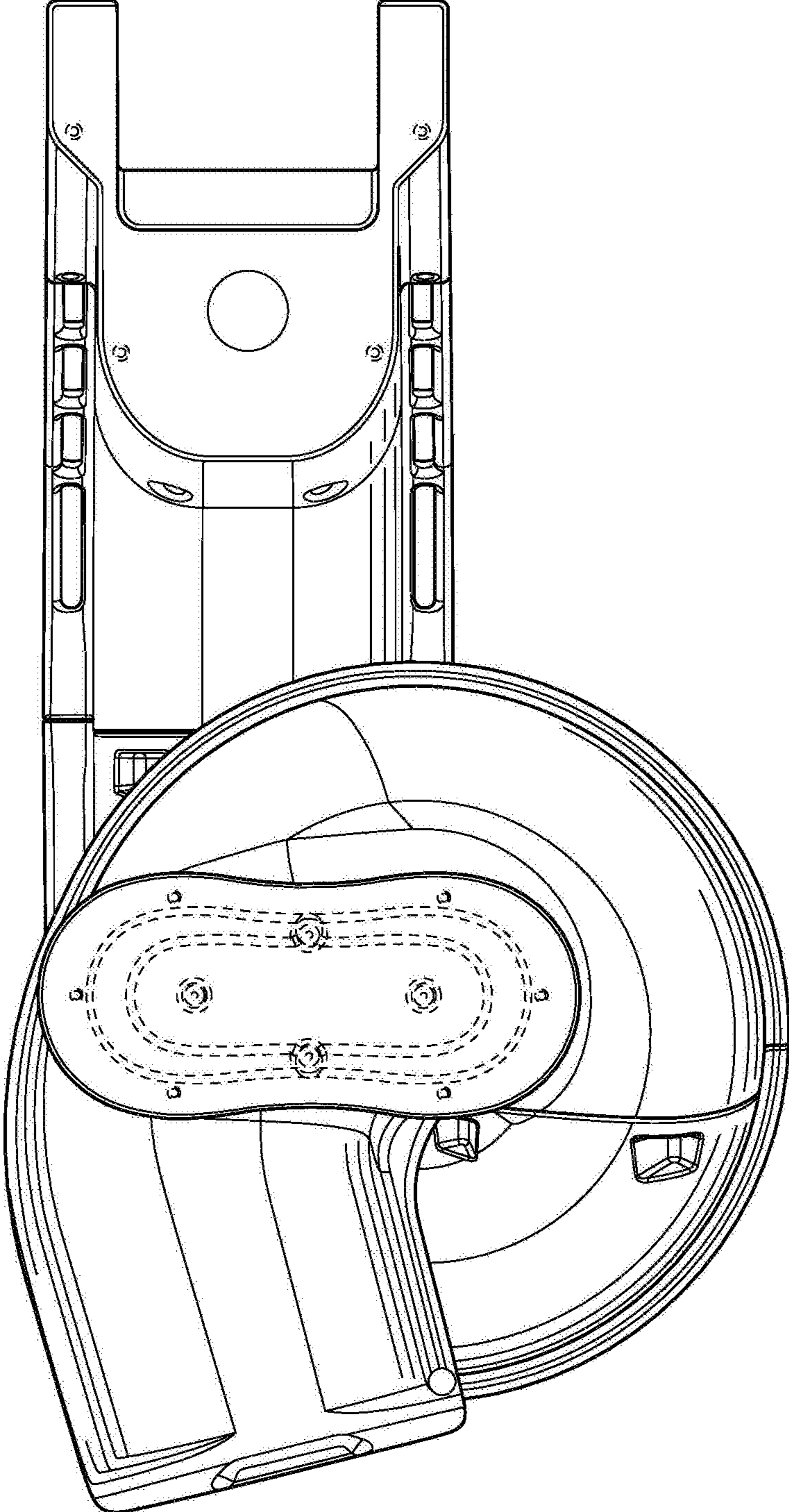


FIG. 7