



US00D983303S

(12) **United States Design Patent**
Steinman

(10) **Patent No.:** **US D983,303 S**

(45) **Date of Patent:** **** Apr. 11, 2023**

(54) **WATER SLIDE**

(71) Applicant: **Global Pool Products**, Bad Axe, MI
(US)

(72) Inventor: **Joshua Donald Steinman**, Pigeon, MI
(US)

(**) Term: **15 Years**

(21) Appl. No.: **29/775,039**

(22) Filed: **Mar. 20, 2021**

Related U.S. Application Data

(60) Provisional application No. 63/082,603, filed on Sep. 24, 2020, provisional application No. 62/992,224, filed on Mar. 20, 2020.

(51) **LOC (14) Cl.** **21-03**

(52) **U.S. Cl.**
USPC **D21/819**

(58) **Field of Classification Search**
USPC D21/818, 819, 814, 530
See application file for complete search history.

(56) **References Cited**

U.S. PATENT DOCUMENTS

D201,812 S *	8/1965	Bontempi	D25/41.1
D207,105 S *	3/1967	Gale	D21/818
D273,503 S *	4/1984	Mariol	D21/818
D355,692 S *	2/1995	Houry	D21/818
D363,521 S *	10/1995	Gilles	D21/818
D371,414 S *	7/1996	King	D21/821
D384,722 S *	10/1997	Siragusa, Jr.	D21/818
6,575,840 B2 *	6/2003	Hagerty	A63G 21/18 472/117
6,582,315 B1 *	6/2003	Formanski	A63G 21/18 472/117
6,988,952 B1 *	1/2006	Hagerty	A63G 21/18 472/117

D529,980 S *	10/2006	Rieber	A63G 21/10 D21/821
2002/0098895 A1 *	7/2002	Hagerty	A63G 21/18 472/117
2015/0157950 A1 *	6/2015	VanDyke	A63G 21/04 472/116
2020/0398172 A1 *	12/2020	Svendsen	E04H 4/144
2021/0291064 A1 *	9/2021	Steinman	A63G 31/007

OTHER PUBLICATIONS

S.R. Smith, announced 2019 [online], [site visited Jun. 14, 2022]. Available on internet, URL: https://www.amazon.com/dp/B002D48GW0/ref=twister_B00BCB3L14?_encoding=UTF8&psc=1 (Year: 2019).*

(Continued)

Primary Examiner — Khawaja Anwar

Assistant Examiner — Julice Seung Eun Oum

(74) *Attorney, Agent, or Firm* — Mechanicus PLLC

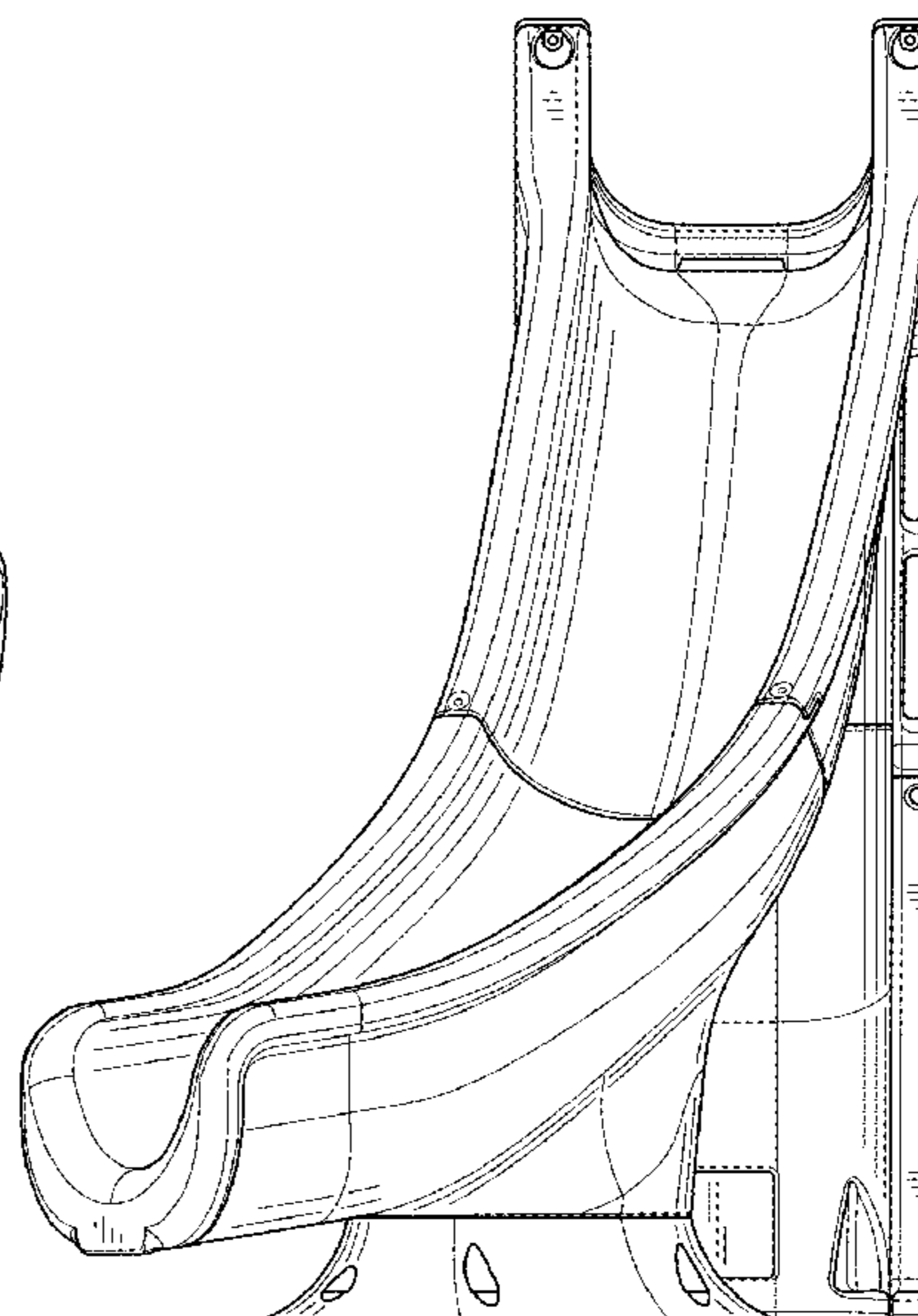
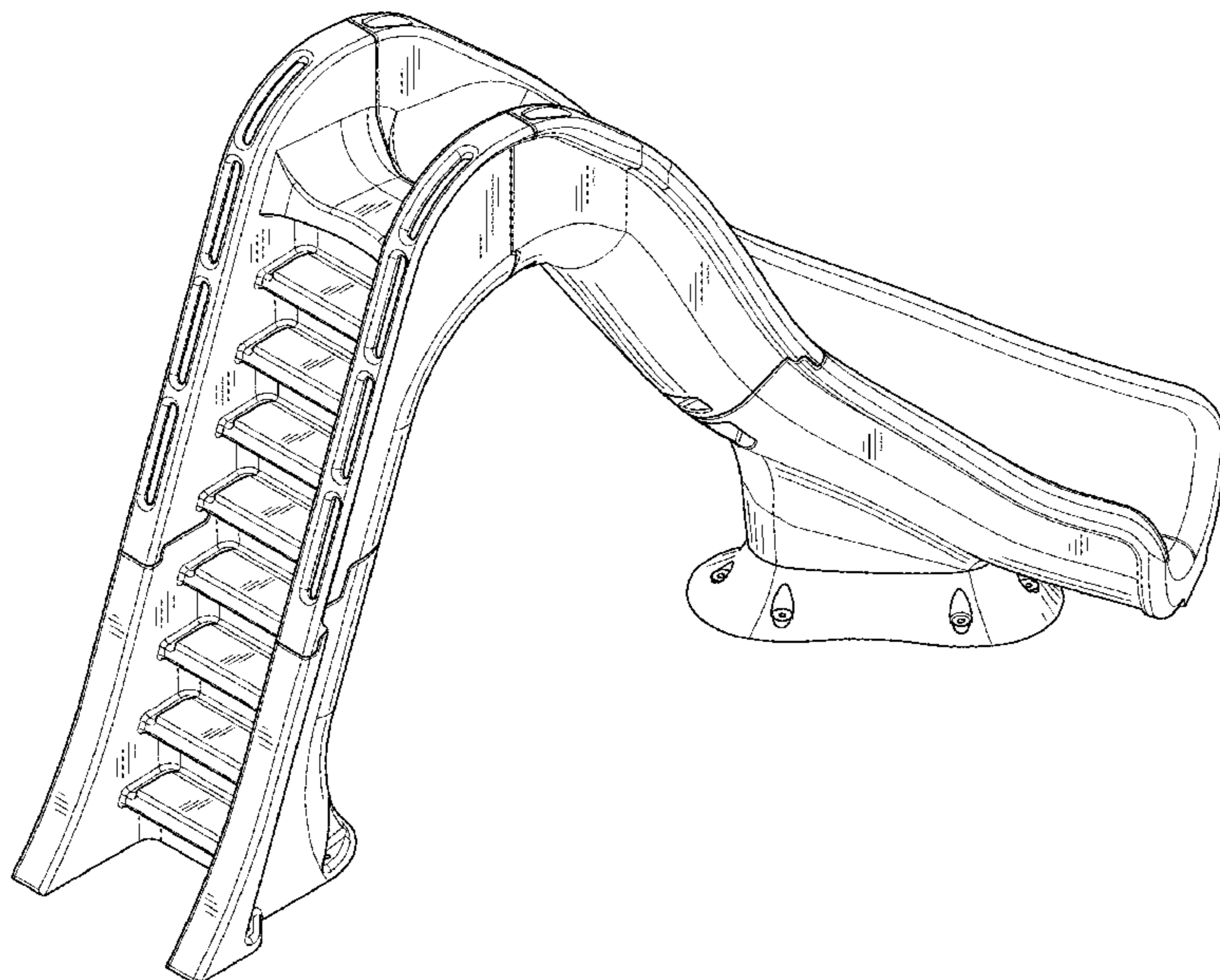
(57) **CLAIM**

The ornamental design for a water slide, as shown and described.

DESCRIPTION

FIG. 1 is an environmental left back perspective view of a water slide embodying my design.
FIG. 2 is a front elevational view thereof.
FIG. 3 is a right side elevational view thereof.
FIG. 4 is a left side elevational view thereof.
FIG. 5 is a rear elevational view thereof.
FIG. 6 is a top plan view thereof; and,
FIG. 7 is a bottom view thereof.
The broken lines showing in FIG. 7 form no part of the claimed design.

1 Claim, 6 Drawing Sheets



(56)

References Cited

OTHER PUBLICATIONS

S.R.Smith, announced 2016 [online], [site visited Jun. 14, 2022]. Available on internet, URL: The SR Smith Typhoon Pool Slide with Rushing Water (Year: 2016).*

Announced 2020 [online], [site visited Jun. 14, 2022]. Available on internet, URL: Typhoon Swimming Pool Slide Assembly Video by SR Smith (Year: 2020).*

SR Smith Cyclone Pool Slide, Web Page: <<https://www.srsmith.com/en-us/products/pool-slides/cyclone/>> retrieved from Internet Nov. 2021.

SR Smith Typhoon Pool Slide, Web Page: <<https://www.srsmith.com/en-us/products/pool-slides/typhoon/>> retrieved from Internet Nov. 2021.

SR Smith Helix Pool Slide, Web Page: <<https://www.srsmith.com/en-us/products/pool-slides/helix2/>> retrieved from Internet Nov. 2021.

* cited by examiner

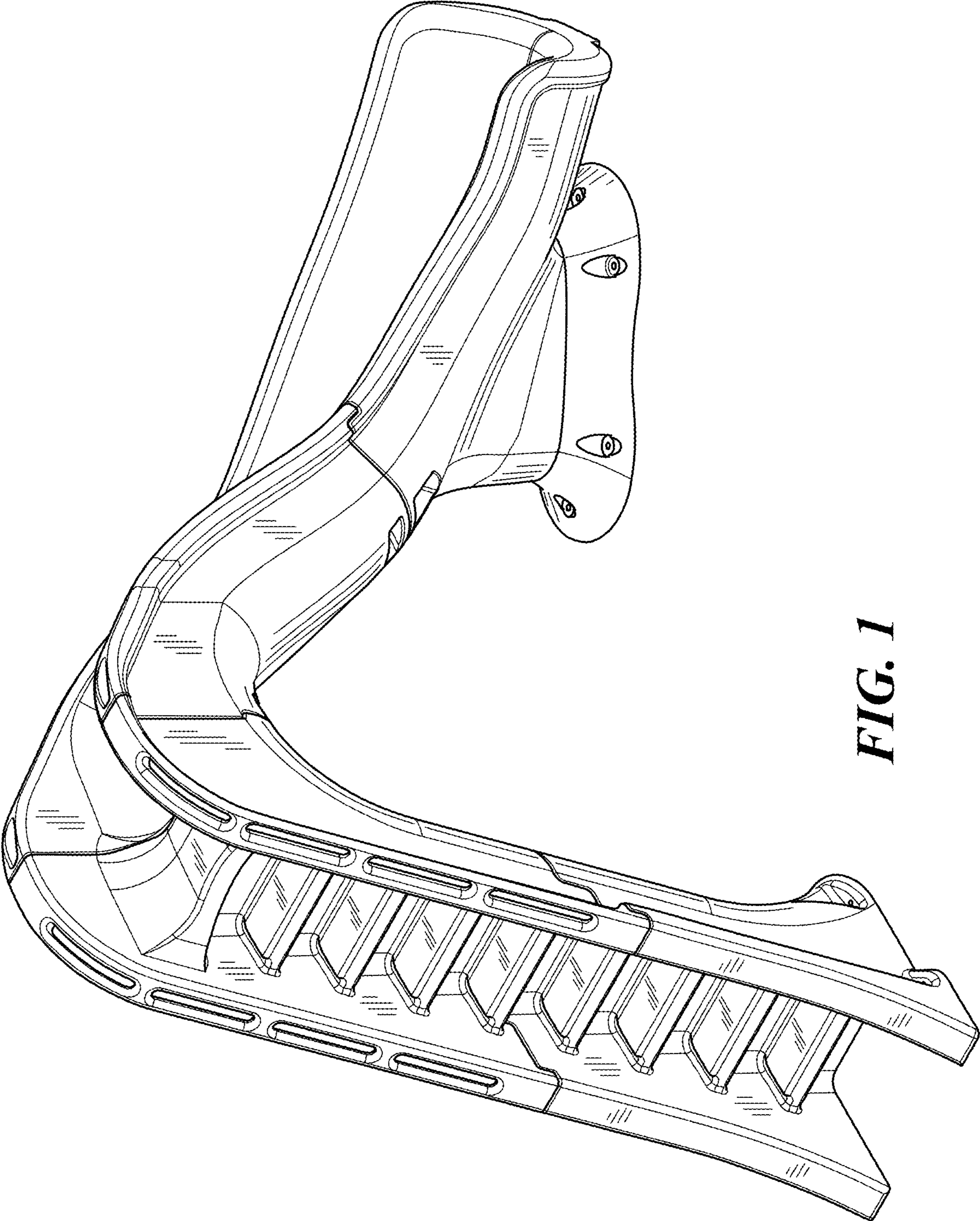


FIG. 1

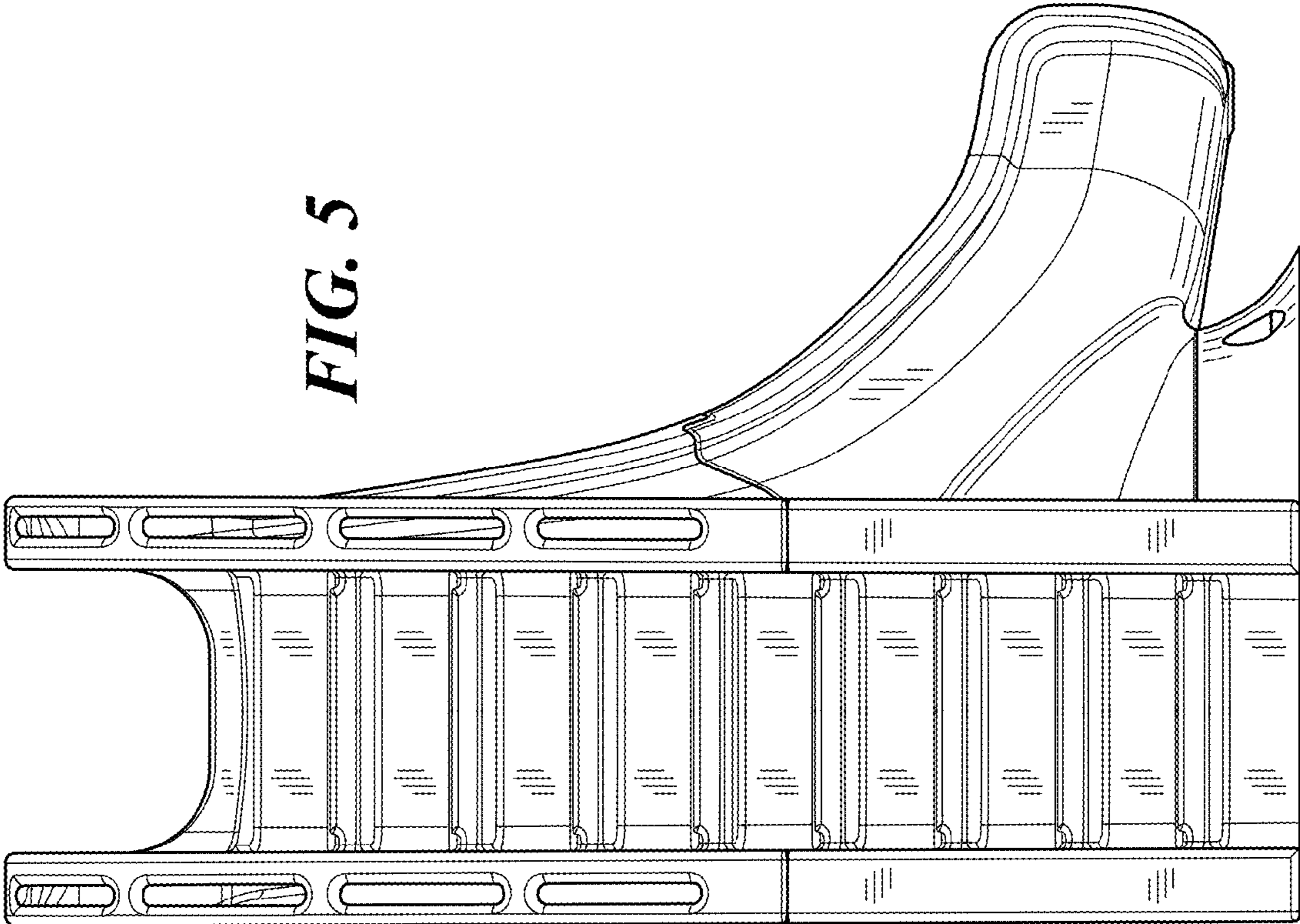


FIG. 5

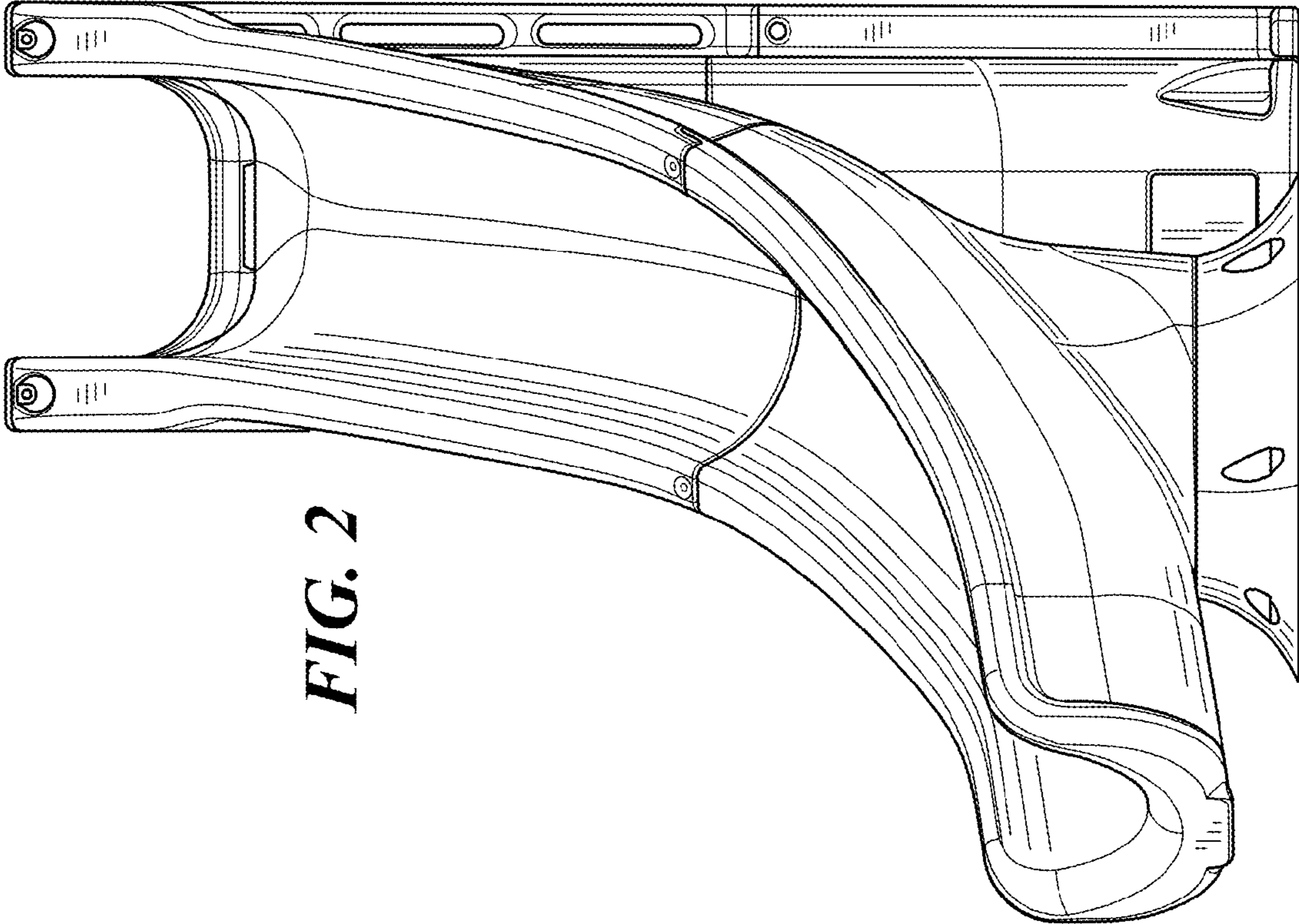


FIG. 2

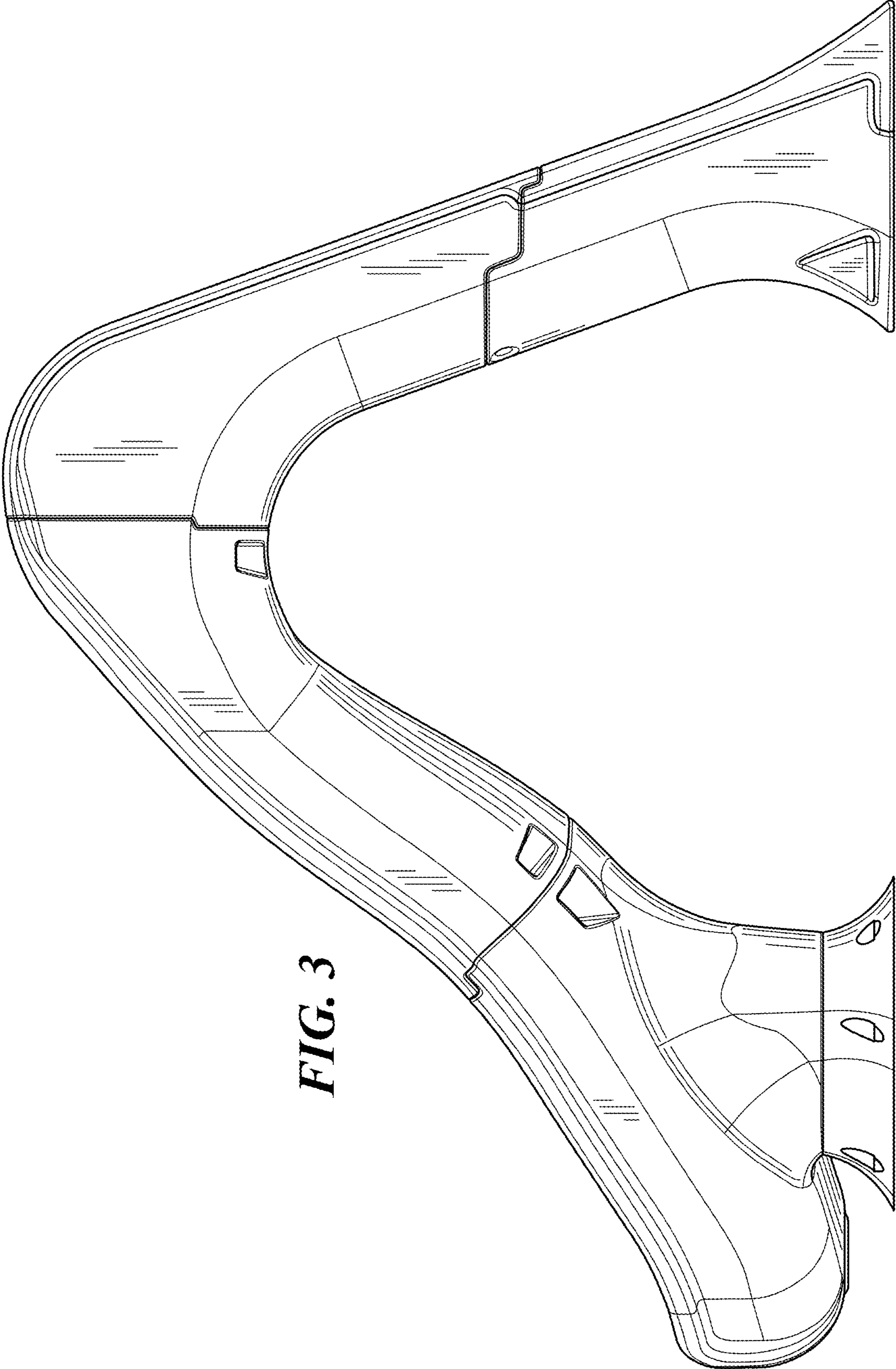


FIG. 3

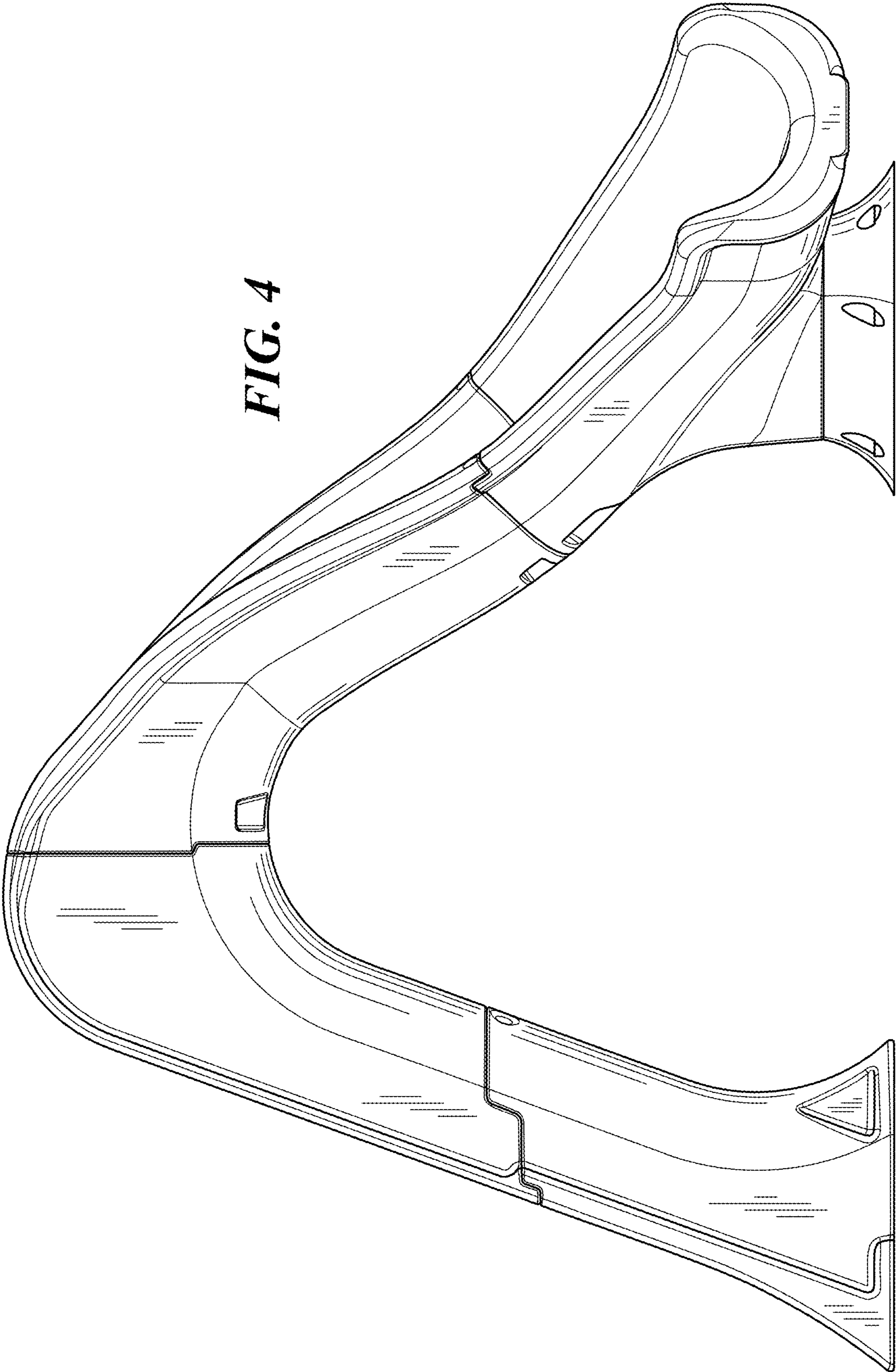


FIG. 4

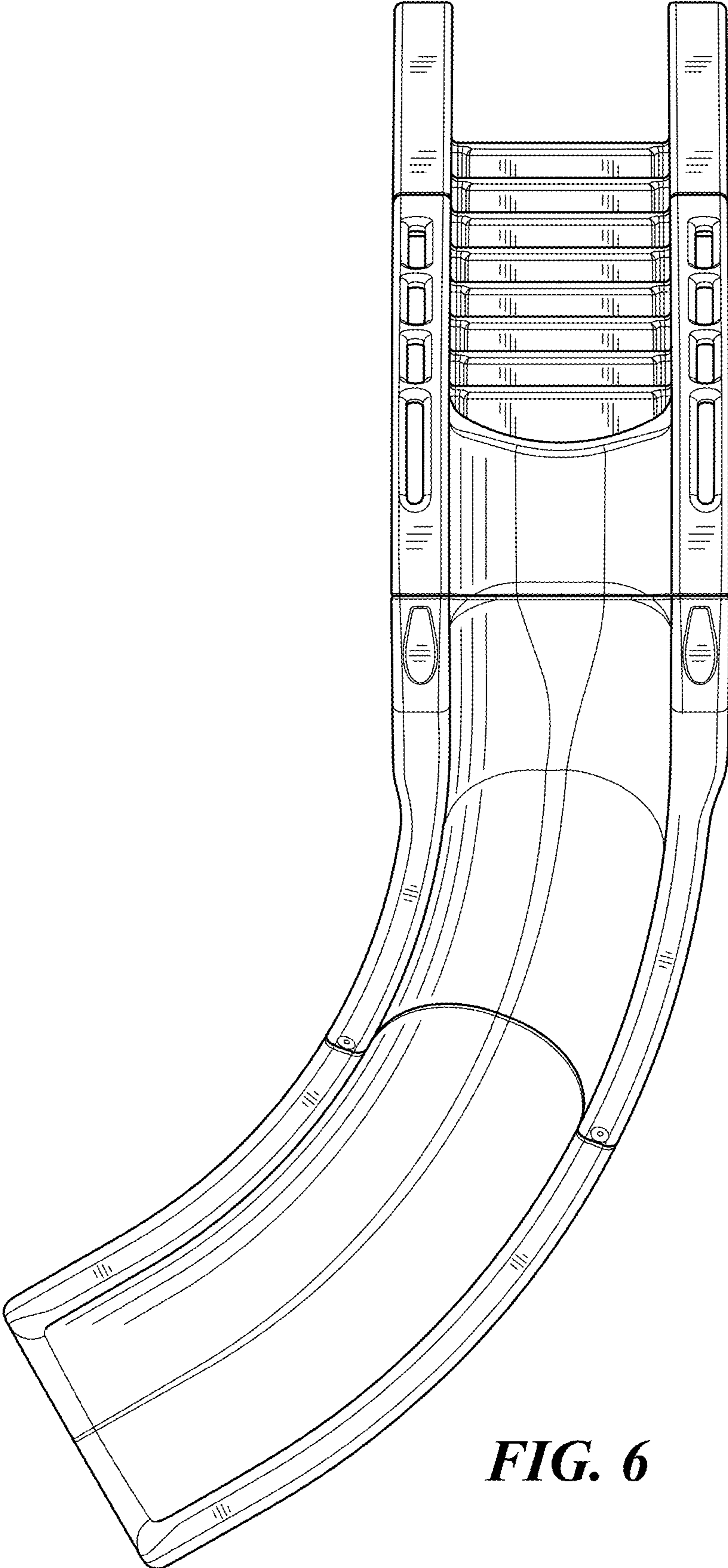


FIG. 6

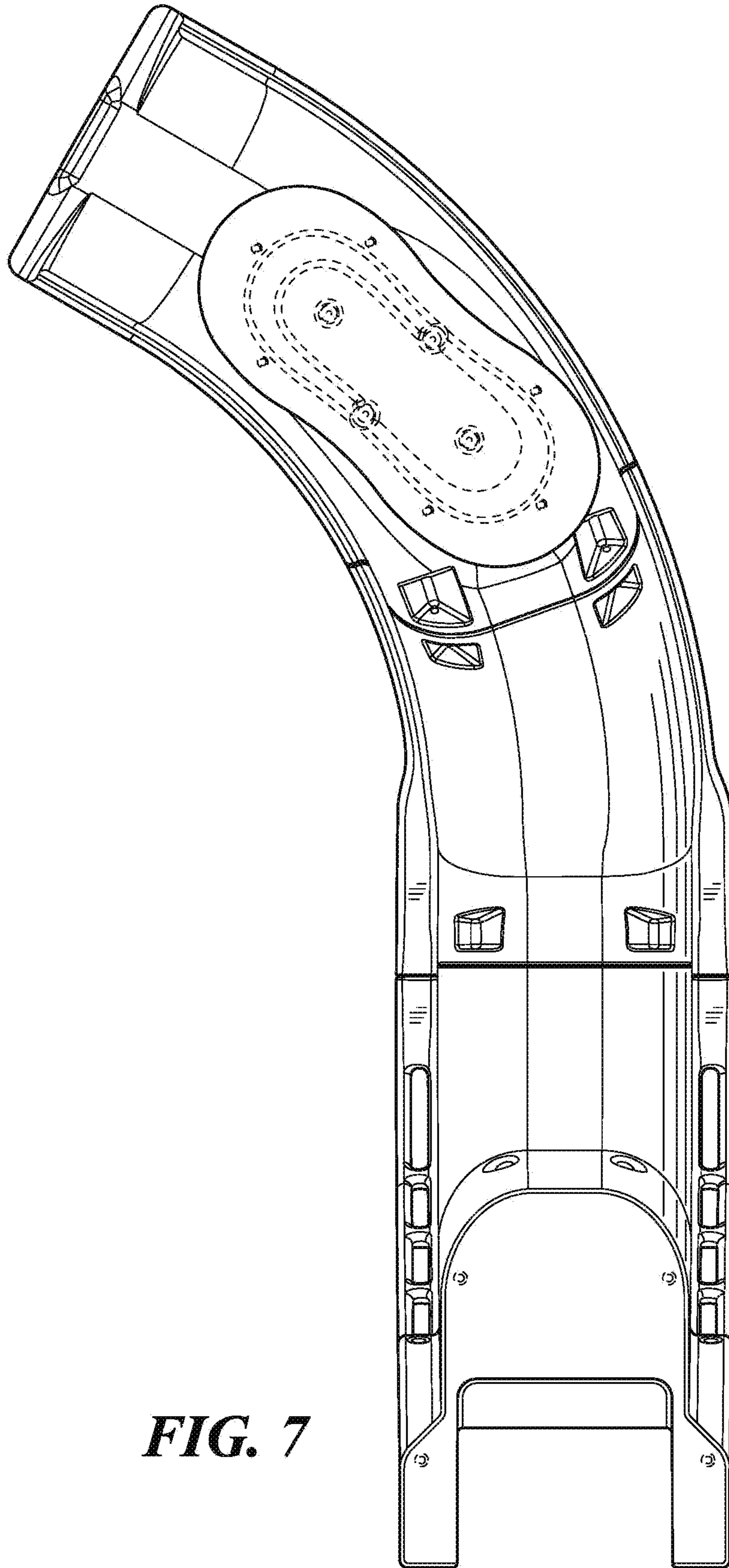


FIG. 7