



US00D983302S

(12) **United States Design Patent** (10) **Patent No.:** **US D983,302 S**  
**Wei** (45) **Date of Patent:** **\*\* Apr. 11, 2023**

(54) **BATHING POOL**

(71) Applicant: **Lisha Wei**, Yiwu (CN)

(72) Inventor: **Lisha Wei**, Yiwu (CN)

(\*\*) Term: **15 Years**

(21) Appl. No.: **29/856,472**

(22) Filed: **Oct. 14, 2022**

(51) **LOC (14) Cl.** ..... **21-03**

(52) **U.S. Cl.**  
USPC ..... **D21/815**

(58) **Field of Classification Search**  
USPC ..... D21/815, 819, 814, 816, 818, 820;  
D25/1, 2  
See application file for complete search history.

(56) **References Cited**

**U.S. PATENT DOCUMENTS**

2,483,789	A *	10/1949	Smith	.....	E04H 4/0056
					4/585
3,152,076	A *	10/1964	Kreutzer	.....	E04H 4/1254
					4/510
D208,904	S *	10/1967	Gersh et al.	.....	D25/2
D228,891	S *	10/1973	Figuerona	.....	D23/277
D229,950	S *	1/1974	Mitchko	.....	D21/815
D282,557	S *	2/1986	Crick	.....	D21/815
D408,548	S *	4/1999	Sullivan	.....	D25/2
D427,657	S *	7/2000	Colasuonno	.....	D21/815
D761,440	S *	7/2016	Scholes, Jr.	.....	D25/2
D870,918	S *	12/2019	Rathnam	.....	D25/2
D942,710	S	2/2022	Overland		
D956,267	S	6/2022	Zhang		
D959,762	S	8/2022	Liang		

**OTHER PUBLICATIONS**

Kopeks, announced 2018 [online], [site visited Dec. 5, 2022]. Available on internet, URL:https://www.amazon.com/KOPEKS-Outdoor-Rectangular-Swimming-Bathing/dp/B07G5NPYJM/ref(Year: 2018).\*

Outletspas, announced 2020[online], [site visited Dec. 5, 2022]. Available on internet, URL:https://outletspas.com/product/lifesmart-playa-3-person-34-jet-hot-tub?gclid=EAIaIQobChMI6dirt5X8-wlVA7jlCh2-nwFLEAQYASABEgJpvPD\_BwE (Year: 2020).\*

\* cited by examiner

*Primary Examiner* — Khawaja Anwar

*Assistant Examiner* — Julice Seung Eun Oum

(74) *Attorney, Agent, or Firm* — Shen Huang

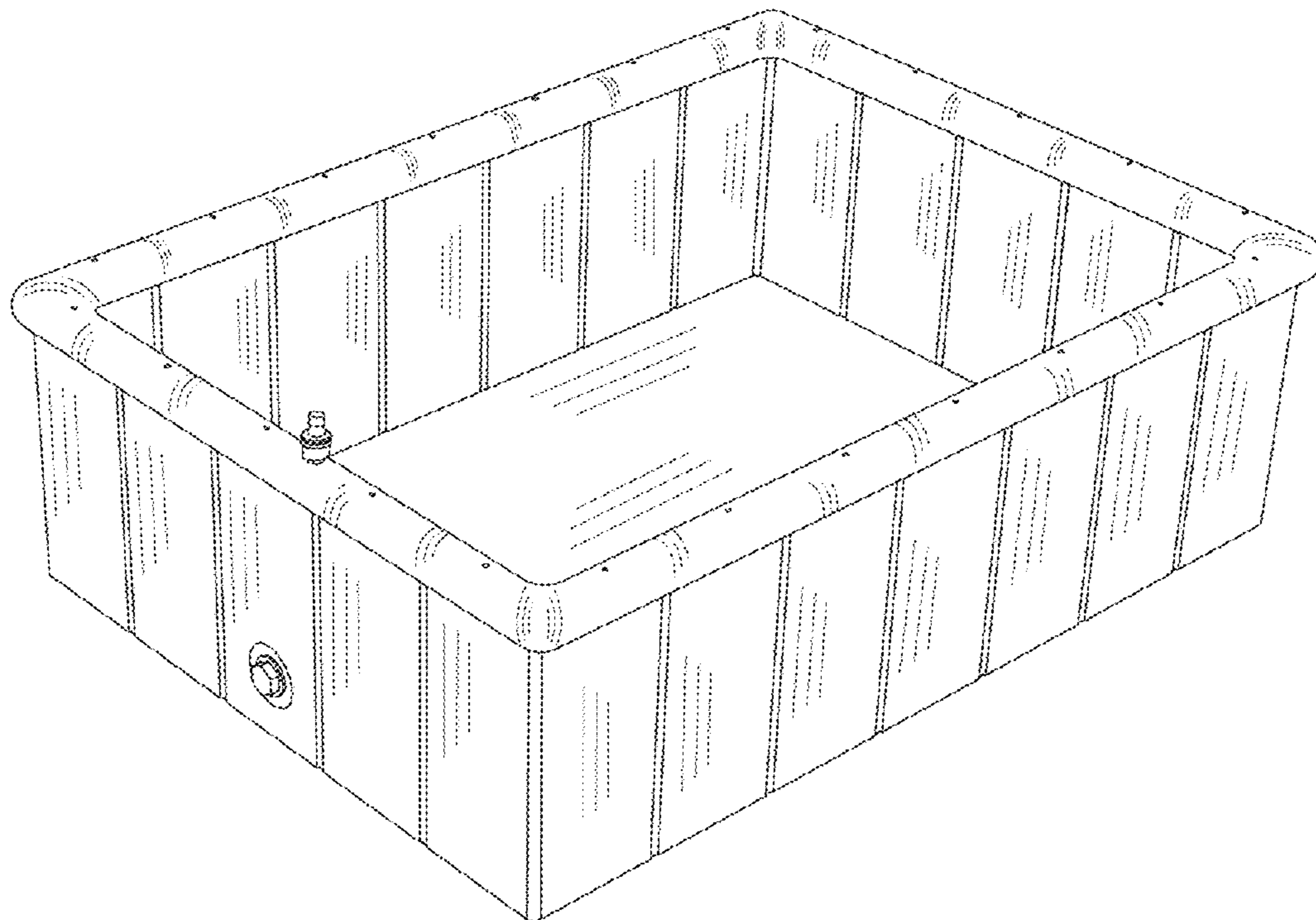
(57) **CLAIM**

The ornamental design for a bathing pool, as shown and described.

**DESCRIPTION**

FIG. 1 is a perspective view of a bathing pool, showing my new design;  
FIG. 2 is a front elevation view thereof;  
FIG. 3 is a rear elevation view thereof;  
FIG. 4 is a left side elevation view thereof;  
FIG. 5 is a right side elevation view thereof;  
FIG. 6 is a top plan view thereof;  
FIG. 7 is a bottom plan view thereof; and,  
FIG. 8 is a perspective elevation view thereof when in use. The broken lines in the drawings depict unclaimed portion of the bathing pool only and the area inside of the broken lines forms no part of the claimed design.

**1 Claim, 8 Drawing Sheets**



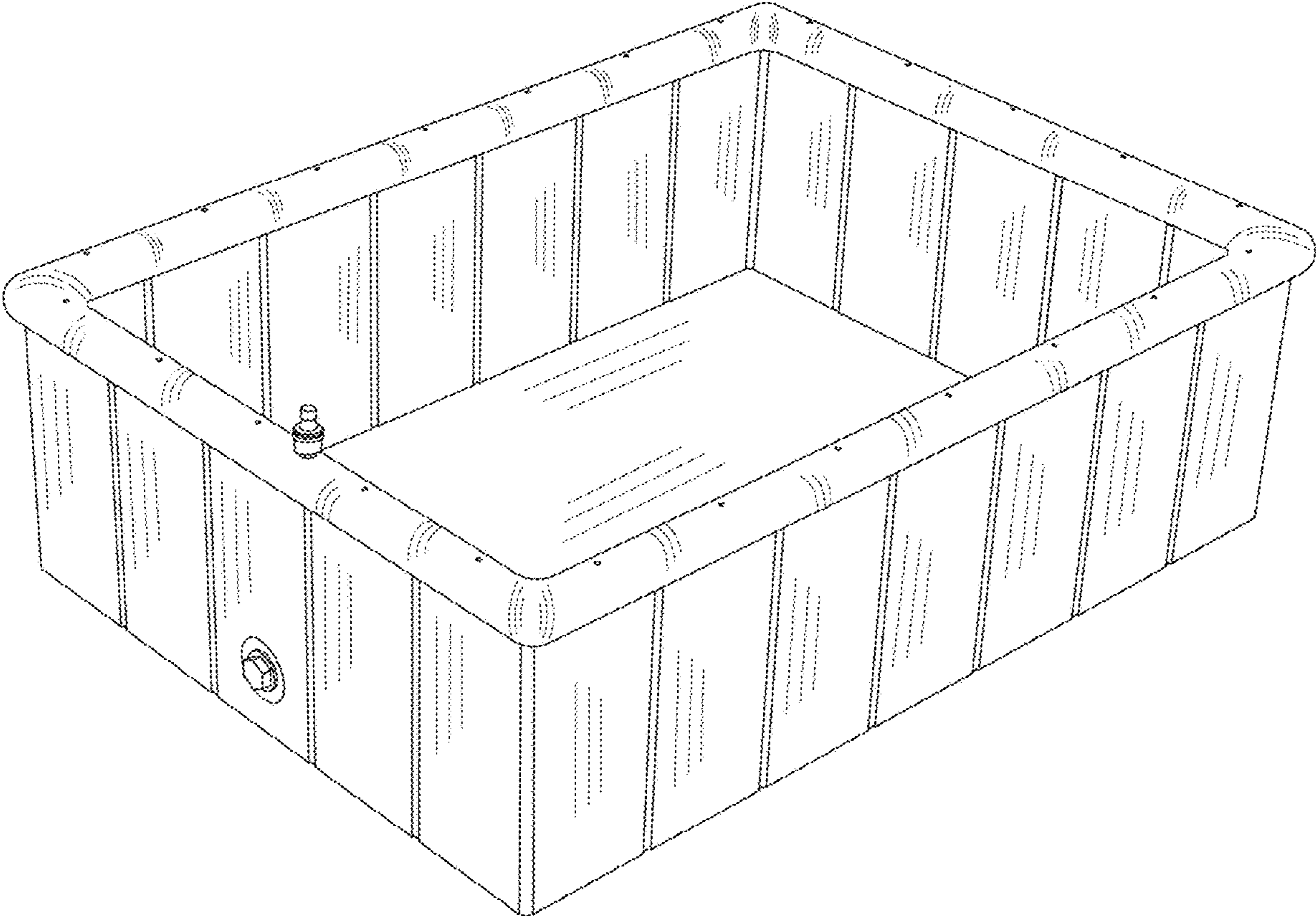


FIG. 1

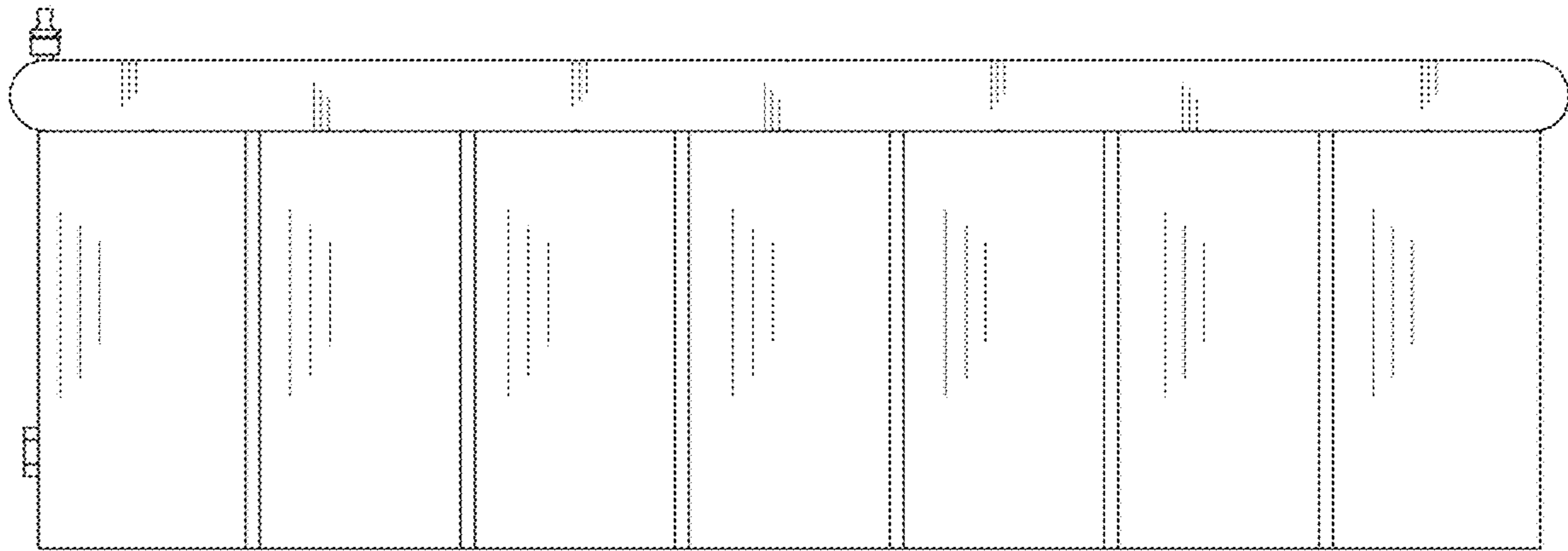


FIG. 2

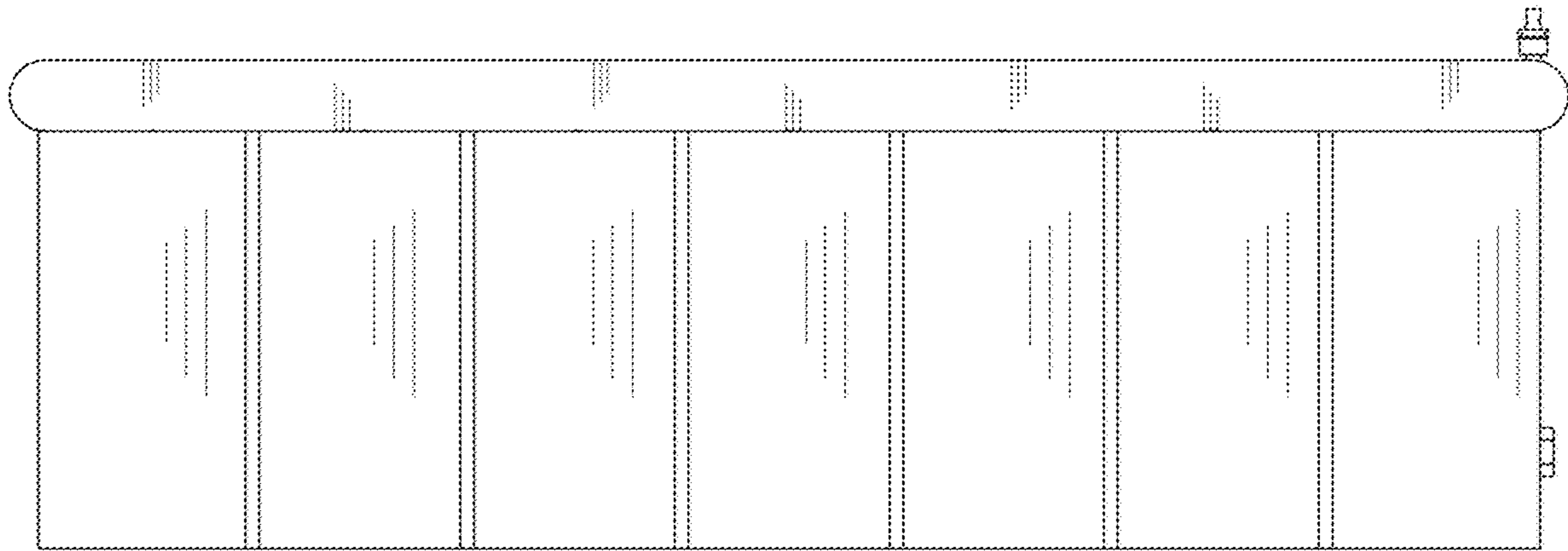


FIG.3

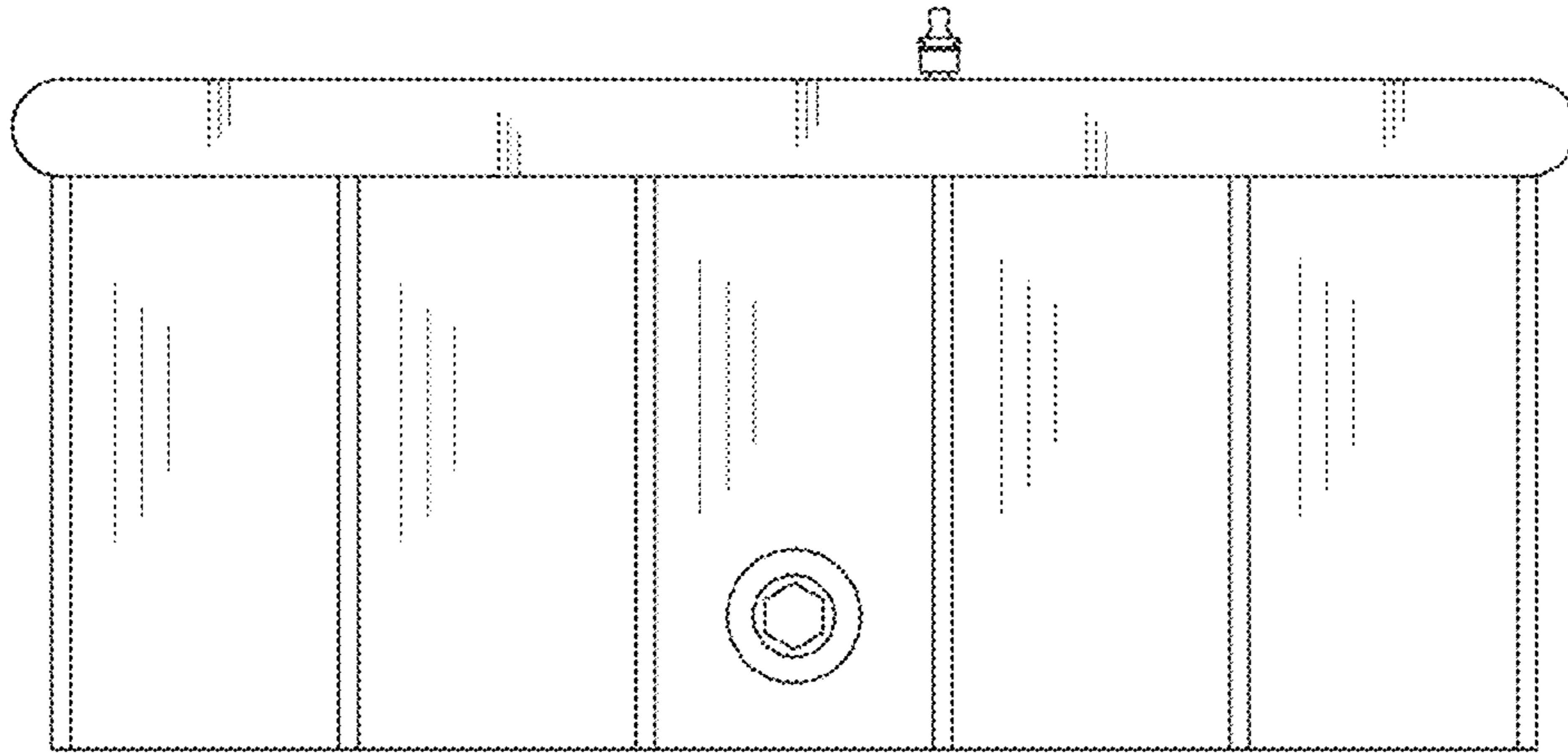


FIG. 4



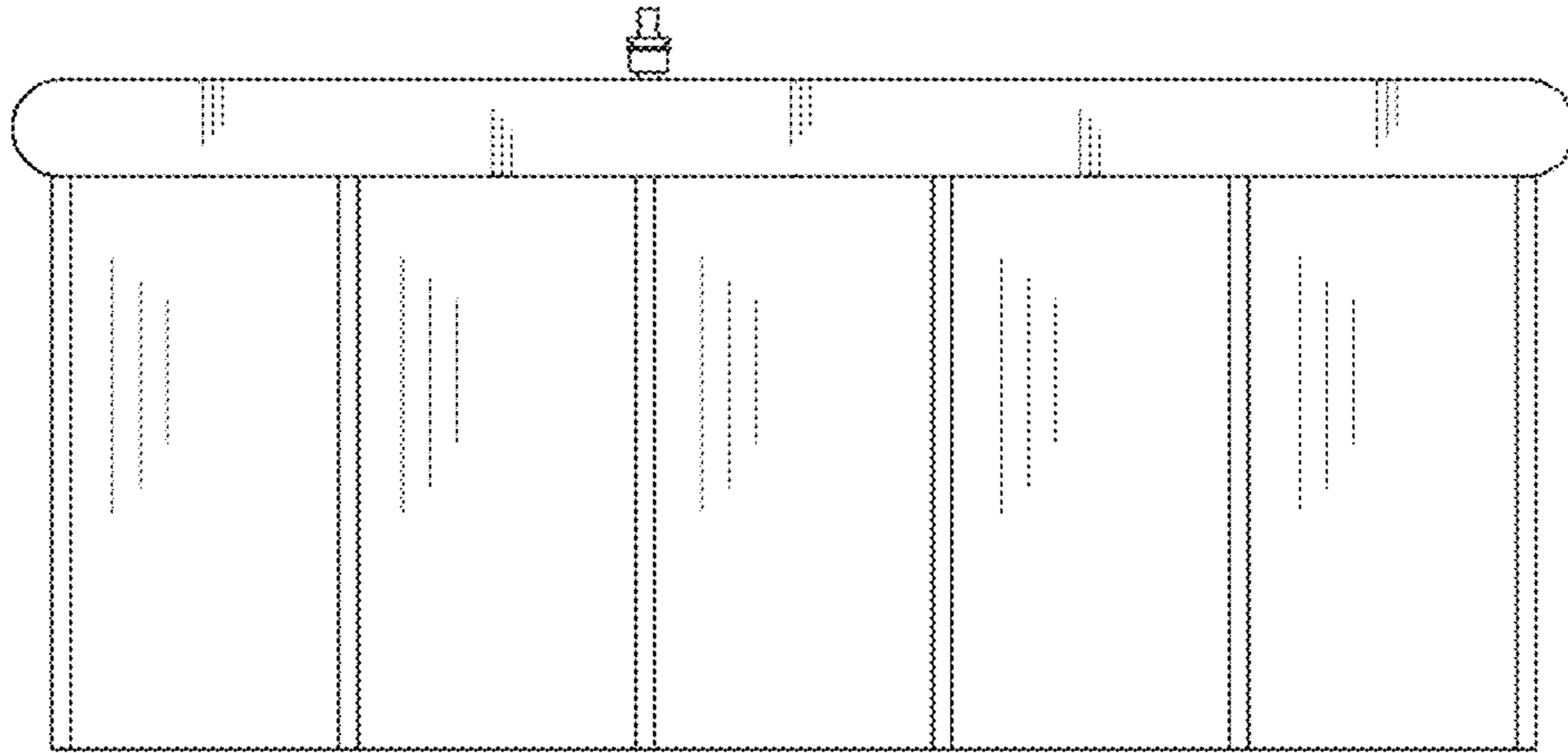


FIG. 5

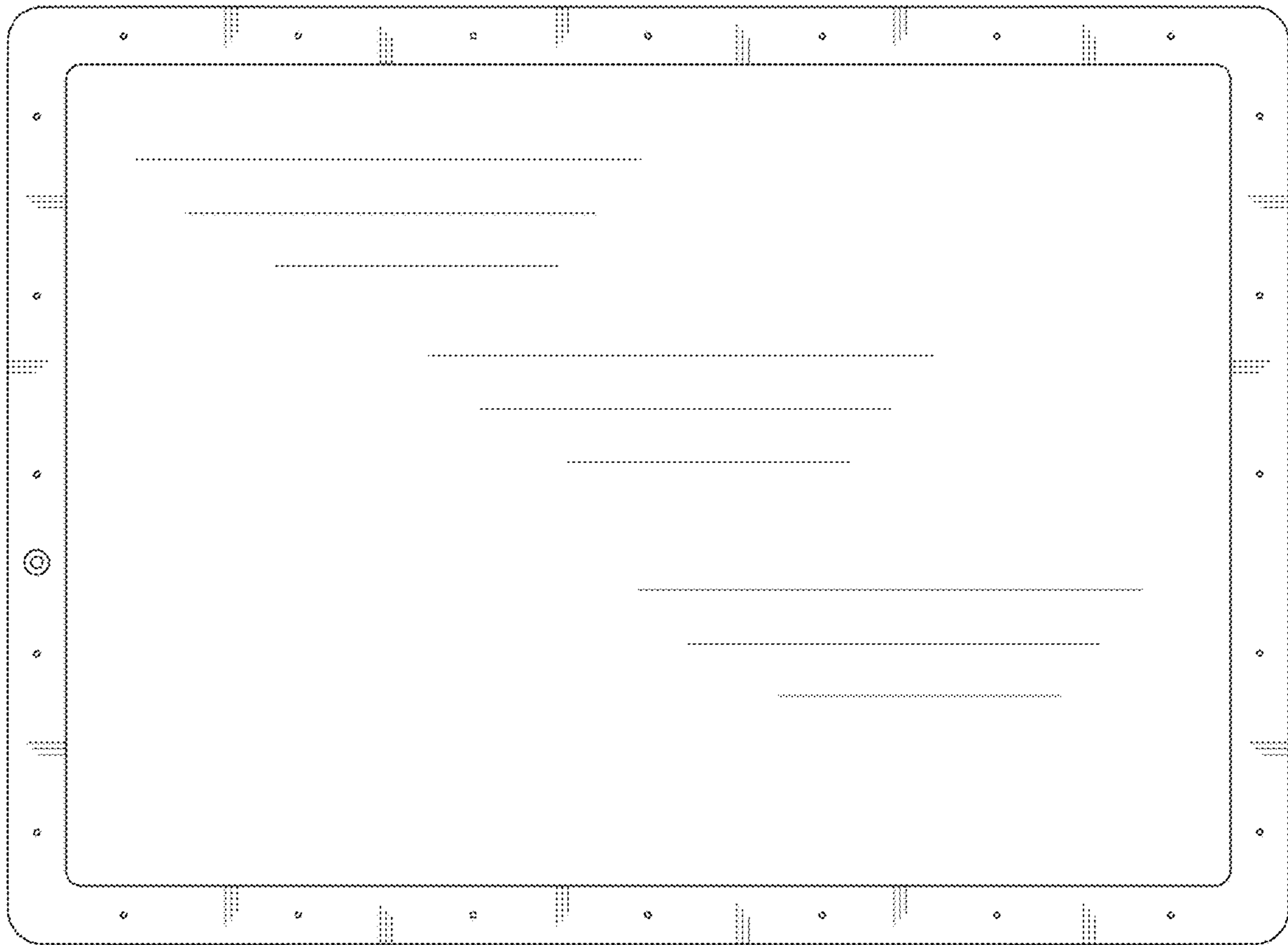


FIG.6

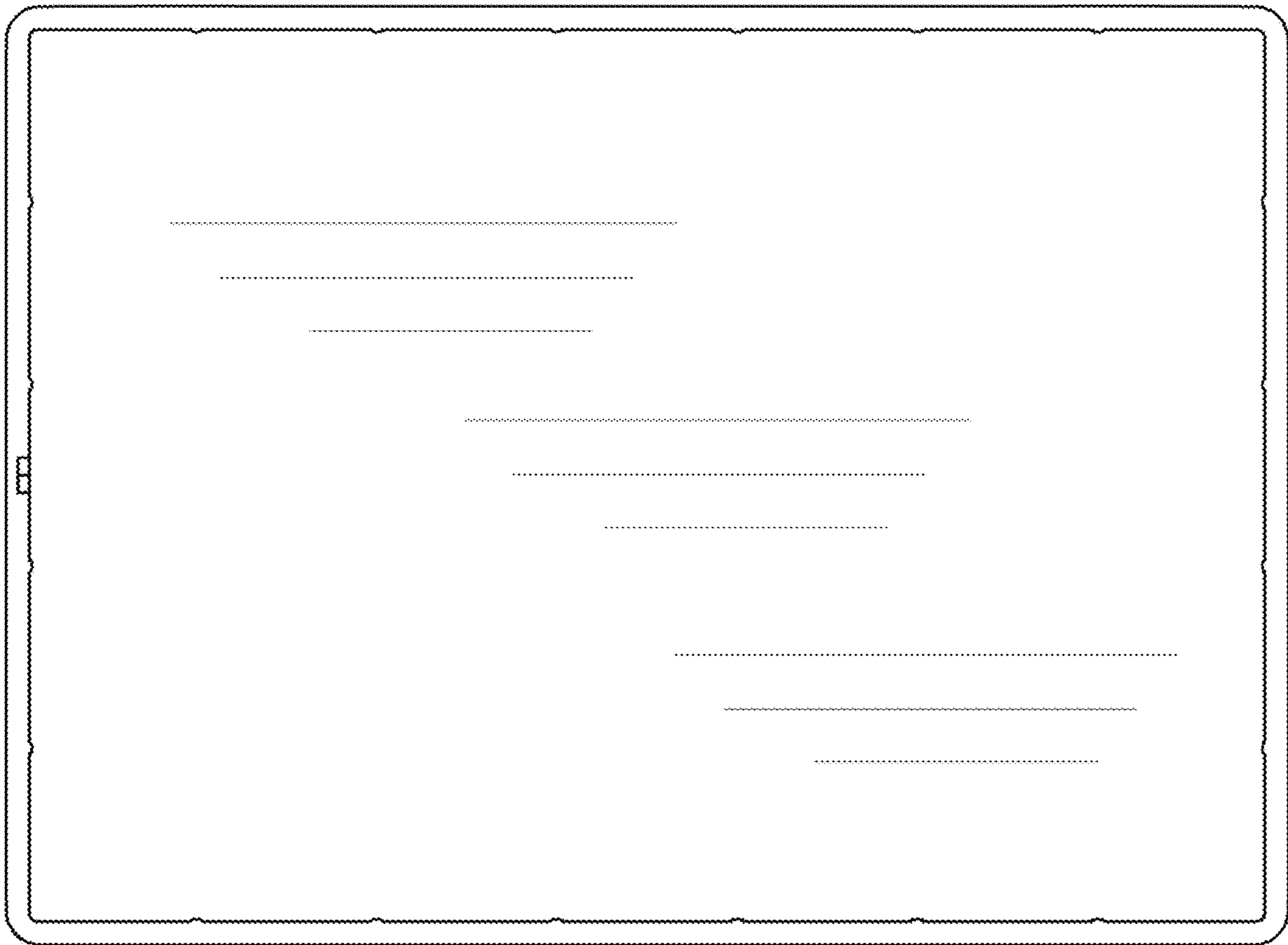


FIG. 7



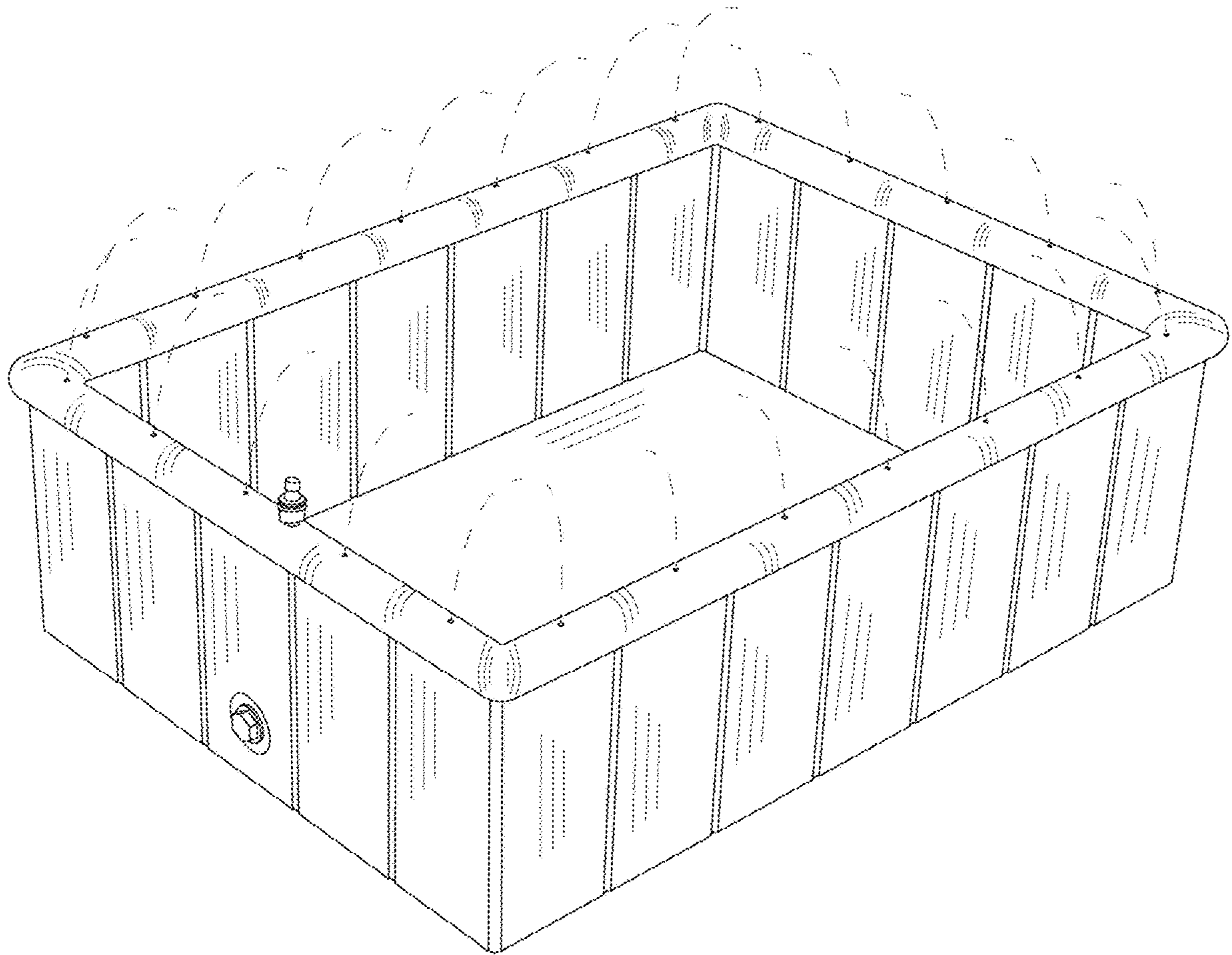


FIG. 8