



US00D983301S

(12) **United States Design Patent**
Chen et al.

(10) **Patent No.:** **US D983,301 S**
(45) **Date of Patent:** **** Apr. 11, 2023**

- (54) **INFLATABLE SWIMMING POOL**
- (71) Applicant: **Yiwu Leying E-commerce Co., Ltd,**
Zhejiang (CN)
- (72) Inventors: **Hao Chen,** Zhejiang (CN); **Mingji Dai,**
Zhejiang (CN)
- (73) Assignee: **Yiwu Leying E-commerce Co., Ltd,**
Yiwu (CN)

6,209,150 B1 * 4/2001 Hsu E04H 4/103
4/585
D470,210 S * 2/2003 Rodriguez D21/815
D529,978 S * 10/2006 Peterson D21/803
D557,368 S * 12/2007 Berenson D21/818
D571,429 S * 6/2008 Roberts D21/803
D732,133 S * 6/2015 Goldmeier D21/815
D861,109 S * 9/2019 He D21/815
D913,395 S * 3/2021 Joseph D21/803
D913,398 S * 3/2021 Joseph D21/803
D920,459 S * 5/2021 Liao D21/803
D924,998 S * 7/2021 Goldman D21/803

(**) Term: **15 Years**

(21) Appl. No.: **29/801,724**

(22) Filed: **Jul. 30, 2021**

(30) **Foreign Application Priority Data**

May 27, 2021 (CN) 202130321203.1
 May 27, 2021 (CN) 202130321211.6
 May 27, 2021 (CN) 202130321531.1

(51) **LOC (14) Cl.** **21-03**

(52) **U.S. Cl.**
USPC **D21/815**

(58) **Field of Classification Search**
USPC D21/801, 802, 803, 809, 815, 819
CPC E04H 4/0012; E04H 4/0025; E04H 4/0018
See application file for complete search history.

(56) **References Cited**

U.S. PATENT DOCUMENTS

D230,749 S * 3/1974 Brooks D21/815
 D267,430 S * 12/1982 Lee D21/815
 D328,324 S * 7/1992 Wang D21/809
 D366,085 S * 1/1996 Millington D30/129
 D386,238 S * 11/1997 Peterson D21/815
 5,690,133 A * 11/1997 Capwell B63B 17/02
 135/96
 D434,826 S * 12/2000 Hsu D21/815

OTHER PUBLICATIONS

Yaqian, Inflatable Pool with Water Slide, published Jun. 28, 2021 [online]. Retrieved from internet (Date: Dec. 13, 2022), <https://www.amazon.es/Inflable-Diapositivas-Piscillas-Suministros-Accesorios/dp/B0983TY74Z> (Year: 2021).*

* cited by examiner

Primary Examiner — Katherine A Holbrow

Assistant Examiner — Riya Salil Kamat

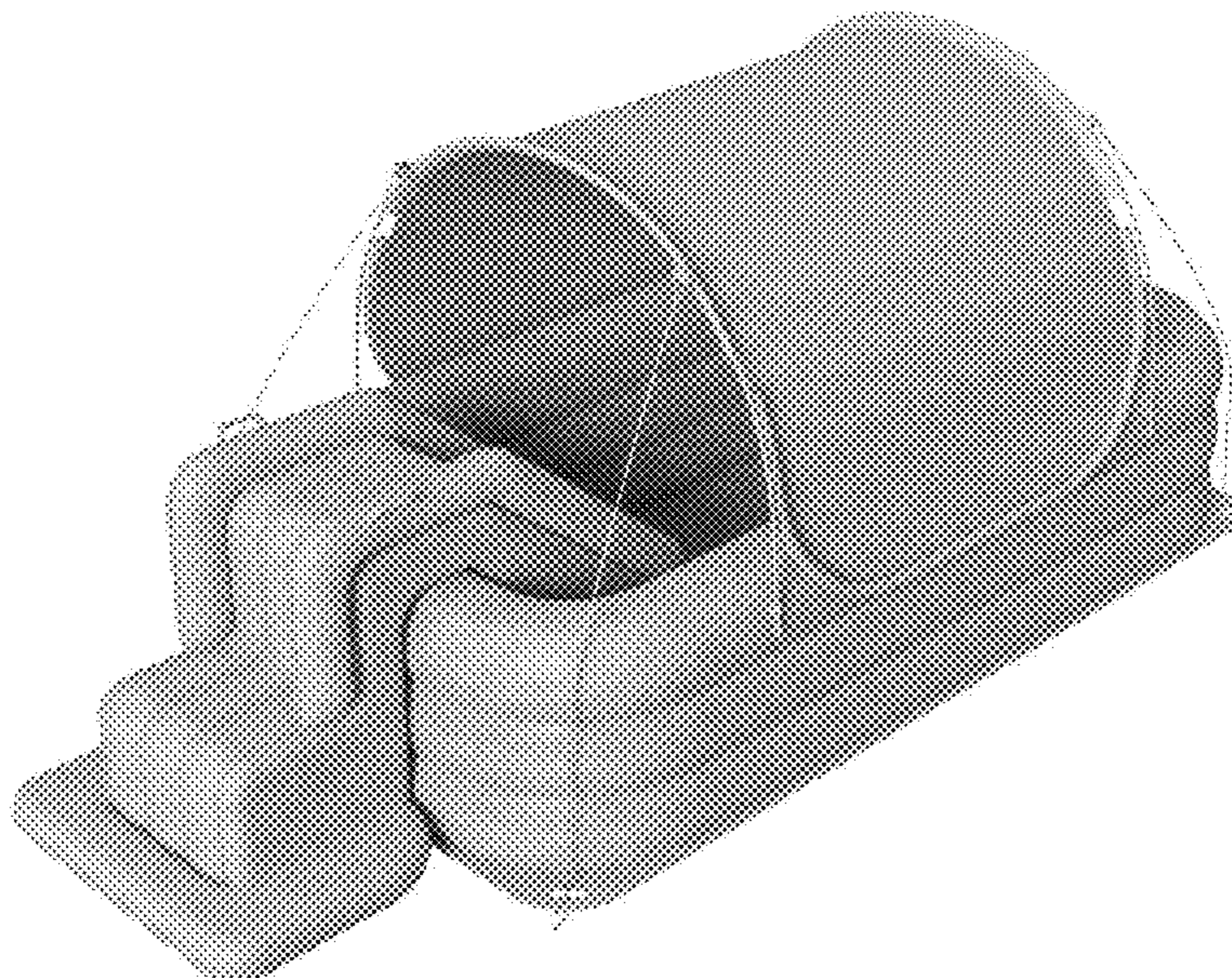
(57) **CLAIM**

The ornamental design for an inflatable swimming pool, as shown and described.

DESCRIPTION

FIG. 1 is a top plan view of an inflatable swimming pool showing our new design;
 FIG. 2 is a bottom plan view thereof;
 FIG. 3 is a front elevational view thereof;
 FIG. 4 is a rear elevational view thereof;
 FIG. 5 is a right side view thereof;
 FIG. 6 is a left side view thereof;
 FIG. 7 is a top, front and left side perspective view thereof;
 and,
 FIG. 8 is a top, rear and right side perspective view thereof.

1 Claim, 8 Drawing Sheets



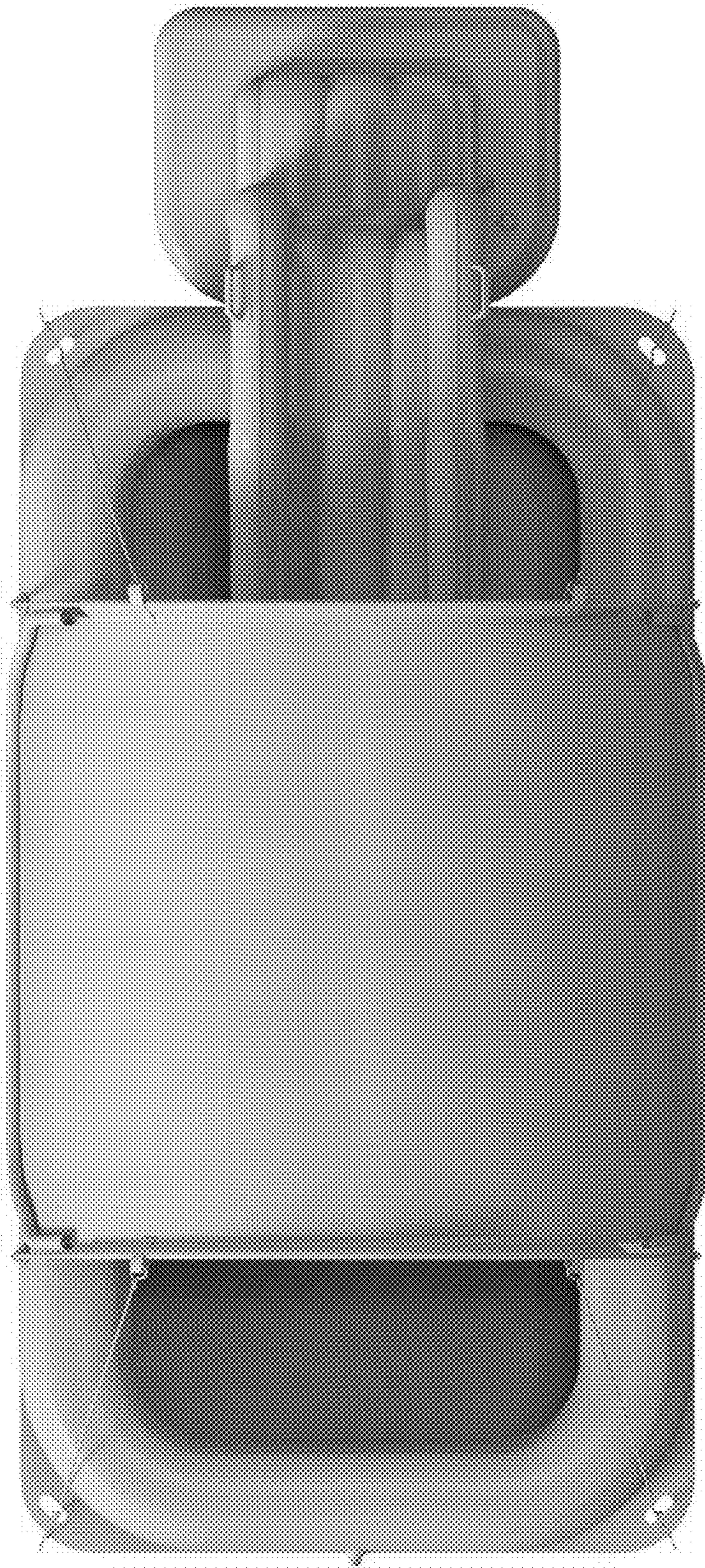


Fig. 1

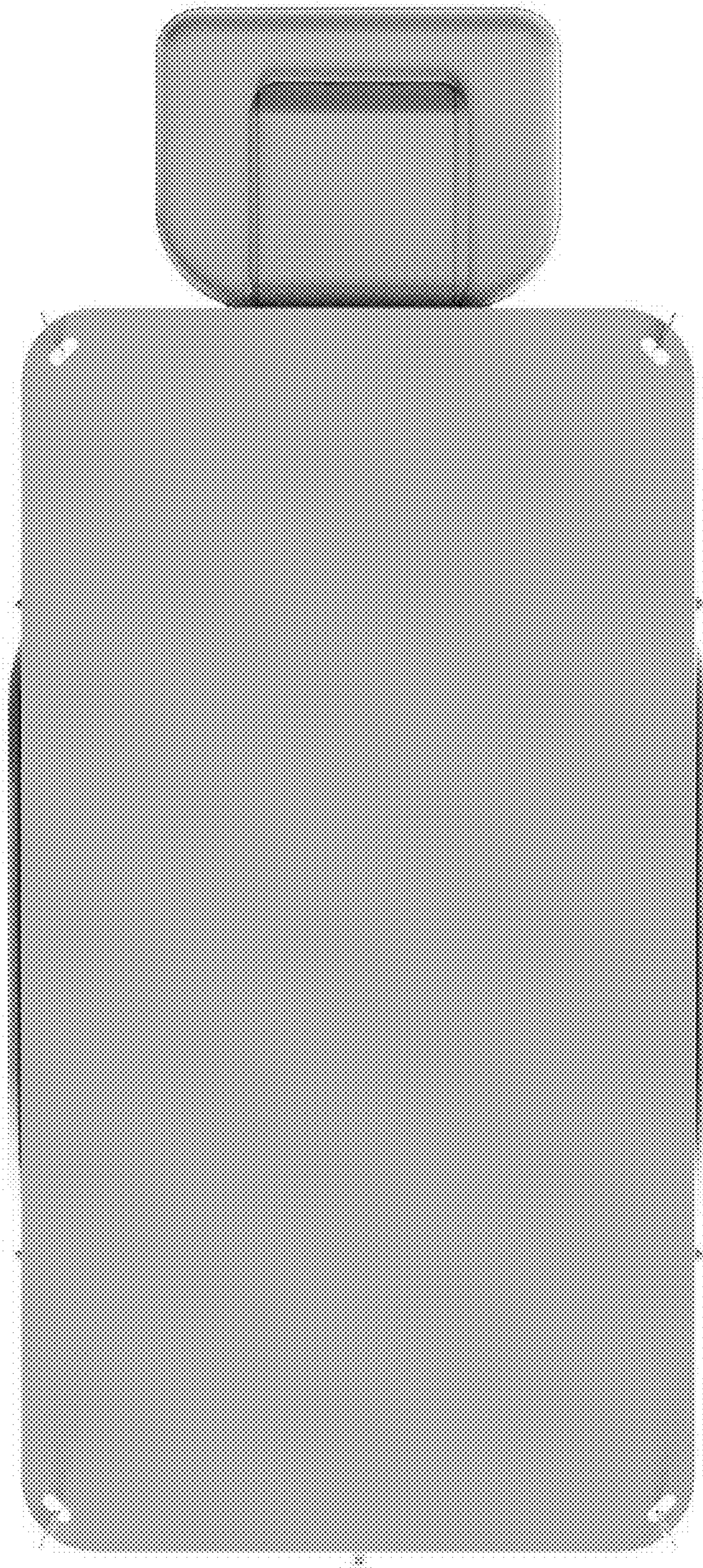


Fig. 2

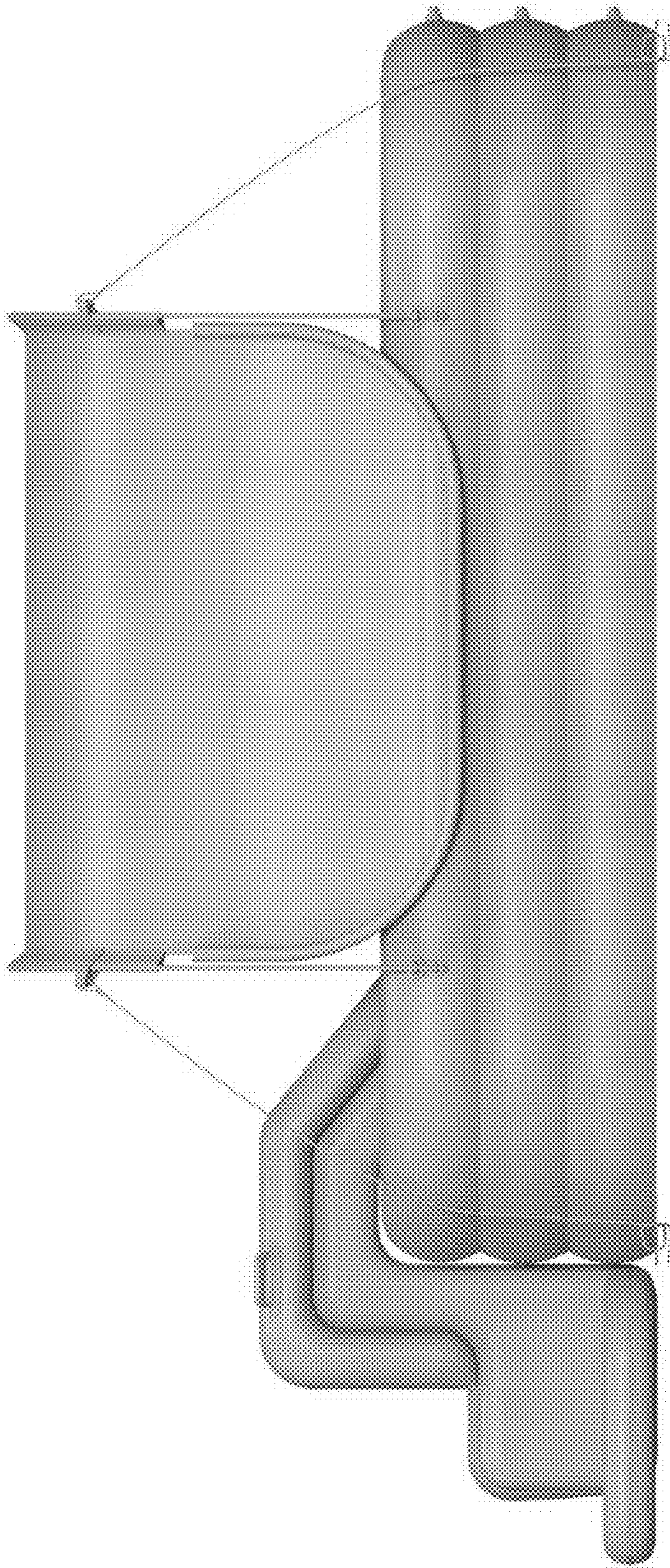


Fig. 3

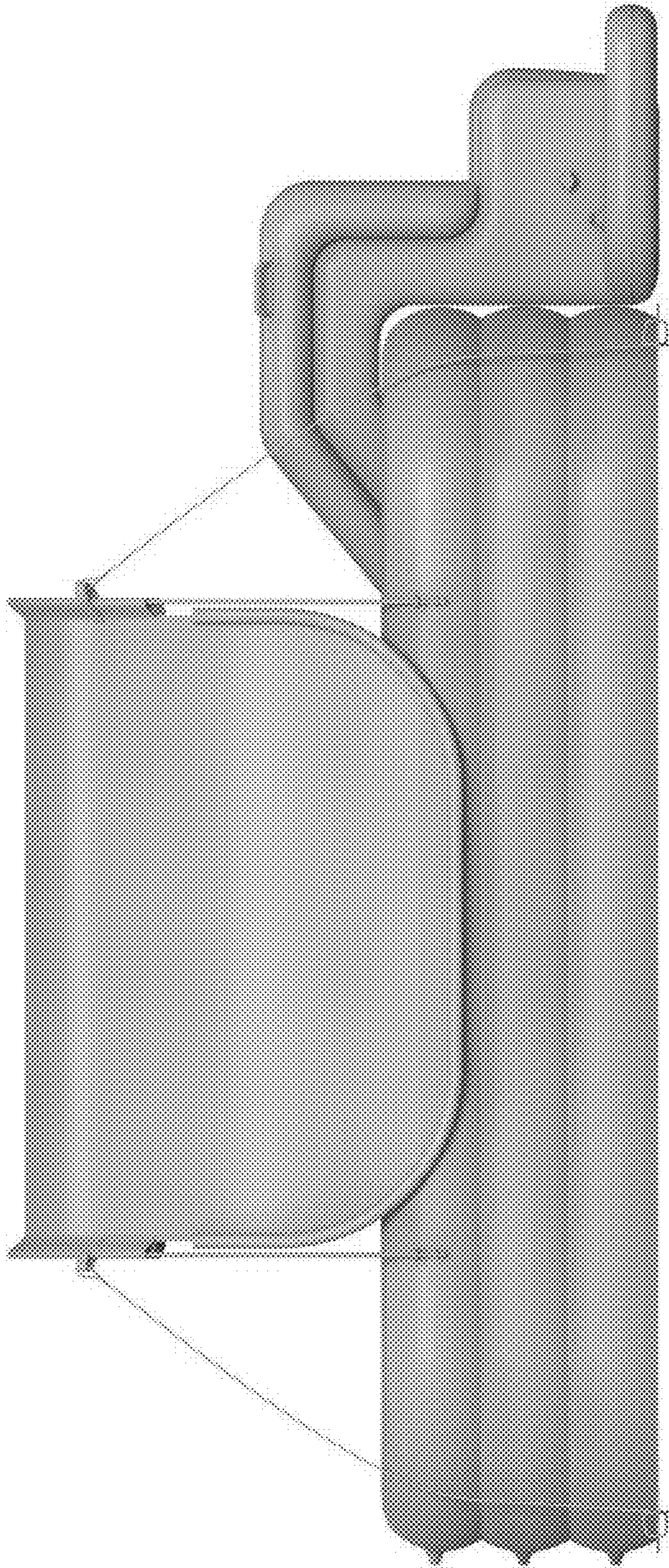


Fig. 4

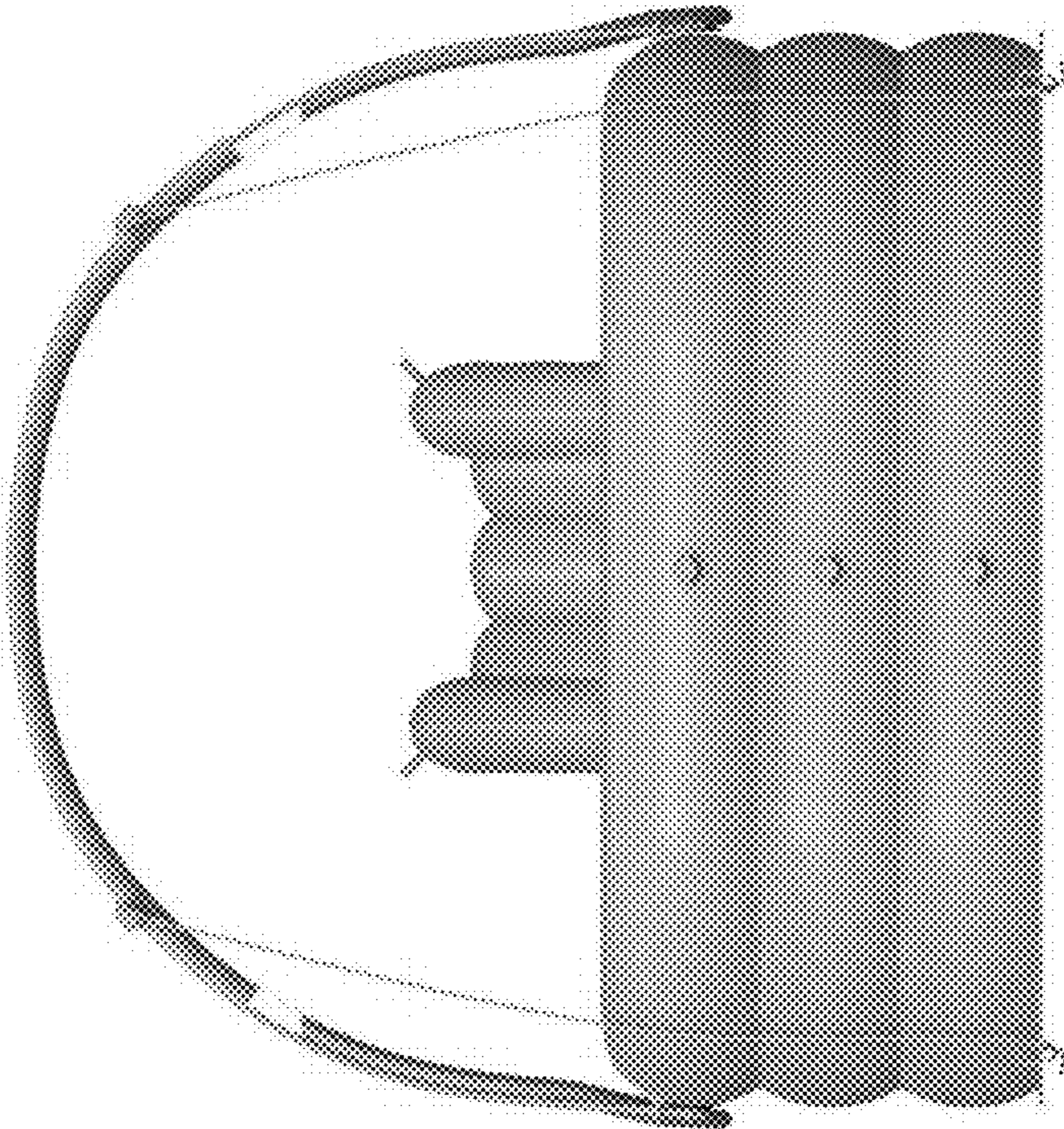


Fig. 5

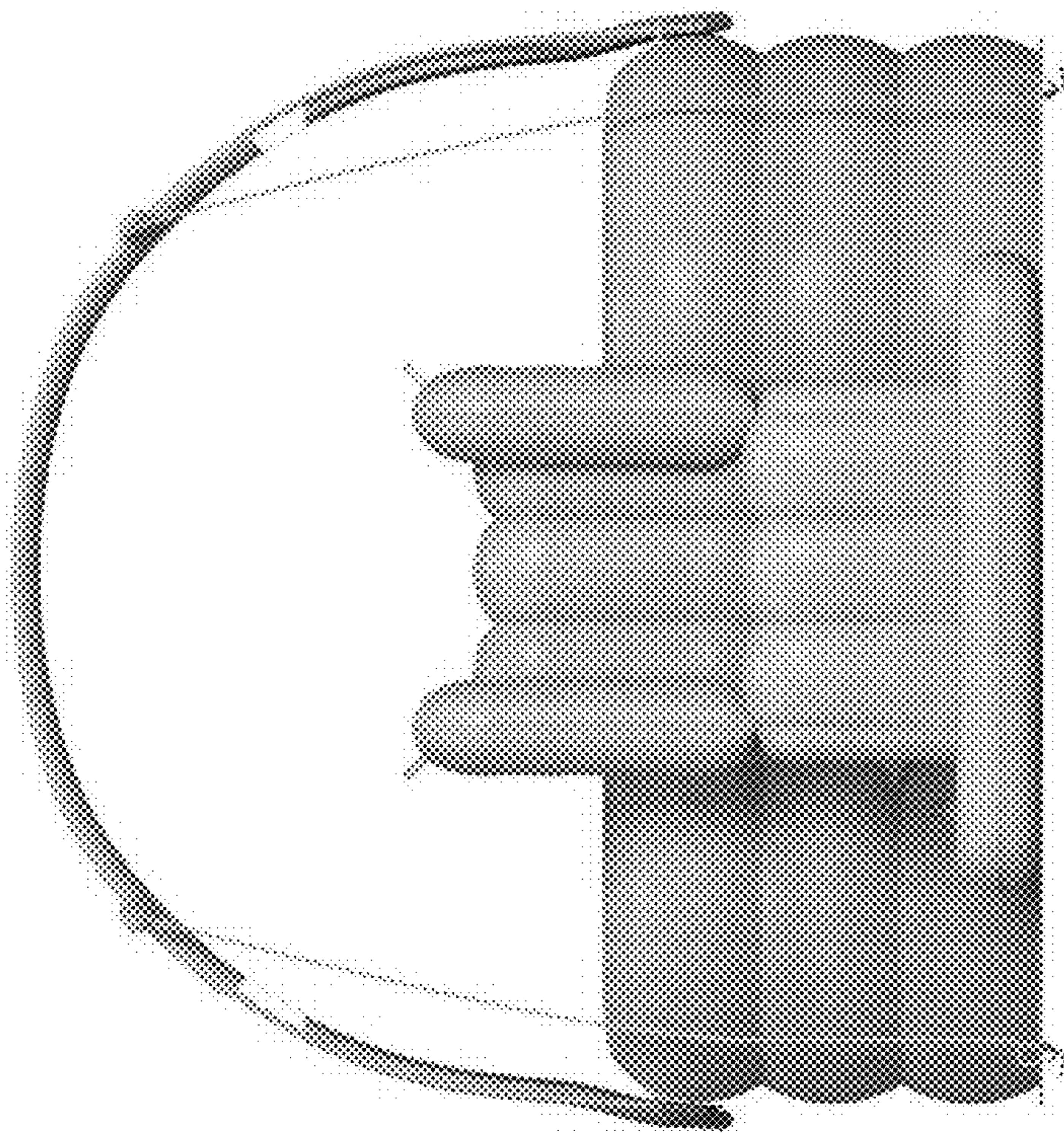


Fig. 6

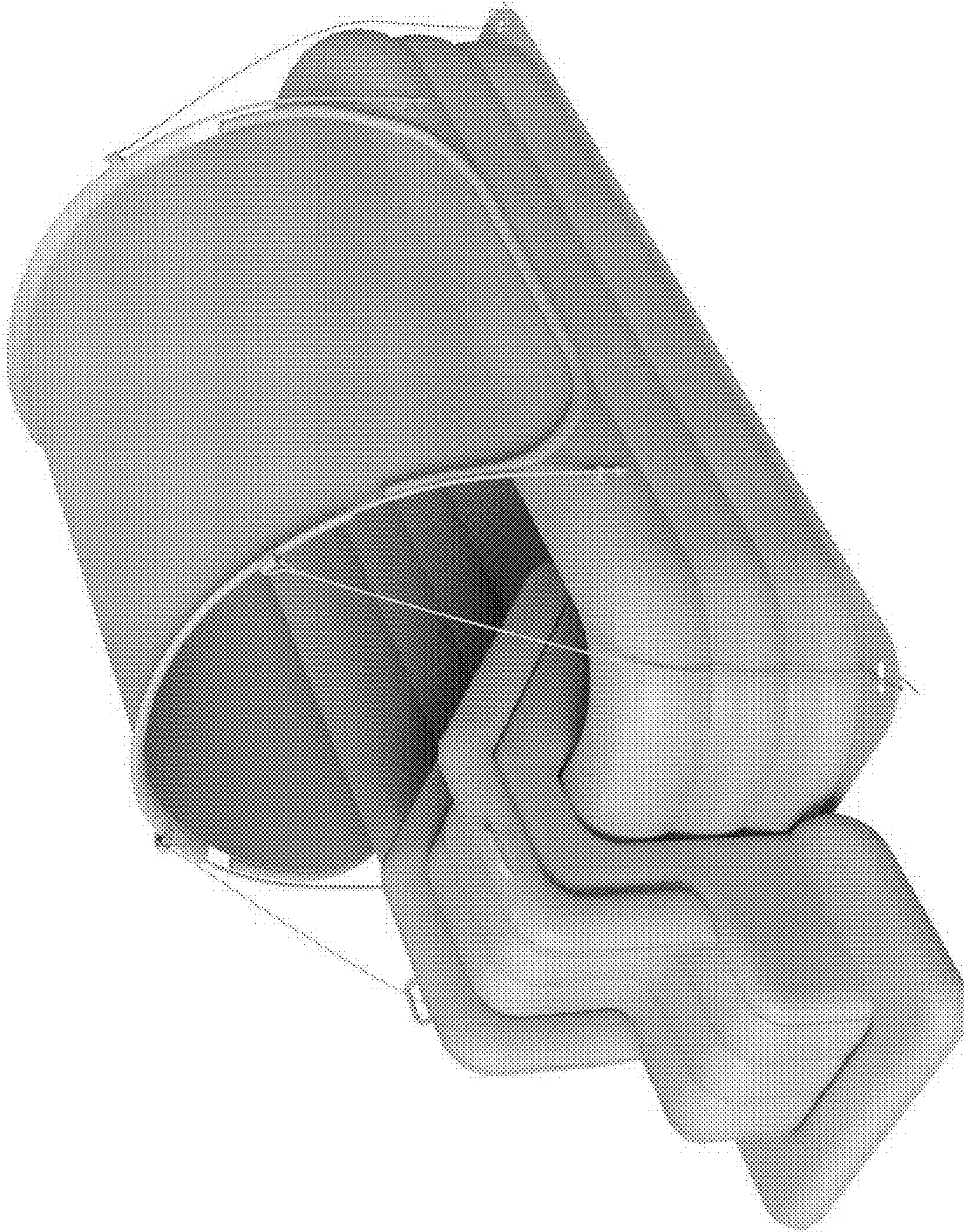


Fig. 7

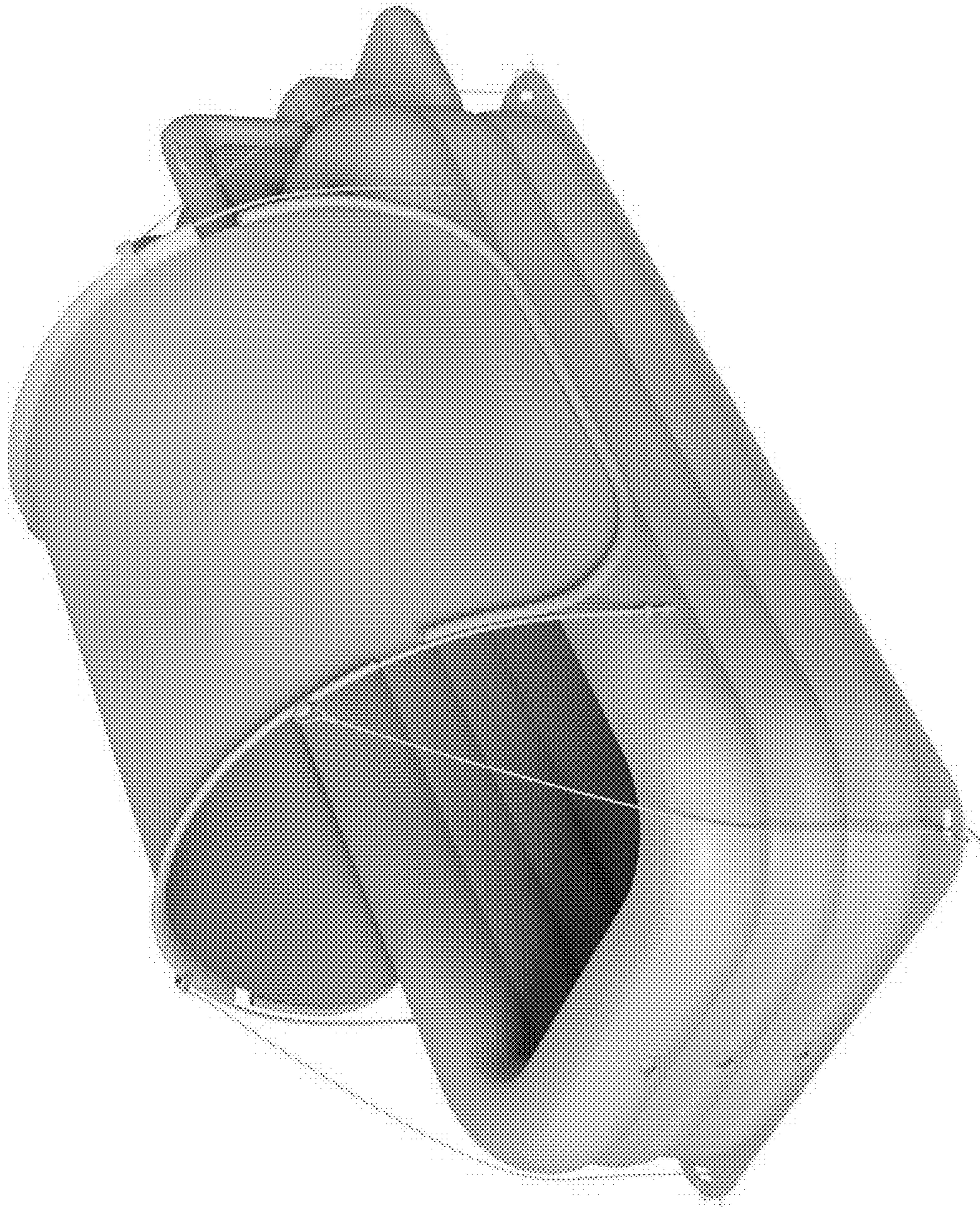


Fig. 8