



US00D983298S

(12) **United States Design Patent** (10) **Patent No.:** **US D983,298 S**
Woodman et al. (45) **Date of Patent:** **** Apr. 11, 2023**

(54) **PART FOR TRAMPOLINE** 2010/0009812 A1* 1/2010 Pieper Genannt Schmauck A63B 5/11
482/27
(71) Applicants: **Plum Products Ltd**, Ingham (GB); 2016/0096056 A1* 4/2016 de Boer A63B 5/11
Design Office SARL, Lyons (FR) 482/27
(72) Inventors: **David Woodman**, Ingham (GB); **Luke** 2016/0271436 A1* 9/2016 Heymans A63B 5/11
Denby, Ingham (GB); **Philippe Bajard**, 2016/0296782 A1* 10/2016 Dai A63B 21/0557
Lyons (FR) 2017/0350154 A1* 12/2017 Chan F16B 45/00
2018/0353789 A1* 12/2018 Tseng A63B 1/00

(73) Assignees: **Plum Products Ltd**, Lincolnshire (GB);
Design Office SARL, Lyons (FR)

(**) Term: **15 Years**

(21) Appl. No.: **29/734,762**

(22) Filed: **May 15, 2020**

(30) **Foreign Application Priority Data**

Nov. 18, 2019 (EM) 007259114

(51) **LOC (14) Cl.** **21-02**

(52) **U.S. Cl.**
USPC **D21/797**

(58) **Field of Classification Search**
USPC D21/797; D8/14, 19, 35, 89, 356, 367,
D8/394-396; D11/212, 218; D6/329
CPC A63B 1/00; A63B 5/11; A63B 21/0557;
F16B 45/00
See application file for complete search history.

(56) **References Cited**

U.S. PATENT DOCUMENTS

D614,995 S * 5/2010 Pontaoe D11/212
D646,557 S * 10/2011 Chan D8/367
D670,601 S * 11/2012 Paik D11/218
D682,663 S * 5/2013 Evon D8/367
D691,027 S * 10/2013 Rainer D8/356
D729,046 S * 5/2015 Paik D8/367
D765,494 S * 9/2016 Chan D8/356
D892,959 S * 8/2020 Ji D21/797

FOREIGN PATENT DOCUMENTS

CN 303935360 * 11/2016
KR 301051549.0000 * 3/2020

OTHER PUBLICATIONS

“Jiumei” Jul. 27, 2021, Amazon, site visited Jun. 22, 2022: <https://amzn.to/3N7de9O> (Year: 2021).*

“Tent Pole Clip” Nov. 8, 2020, Amazon, site visited Jun. 22, 2022: <https://bit.ly/3mqOkrF> (Year: 2020).*

* cited by examiner

Primary Examiner — Jack Reickel

Assistant Examiner — Salamah Jordan

(74) *Attorney, Agent, or Firm* — Thomas | Horstemeyer, LLP

(57) **CLAIM**

The ornamental design for a part for trampoline, as shown and described.

DESCRIPTION

FIG. 1 is a perspective view of a part for trampoline showing our new design;

FIG. 2 is side view thereof;

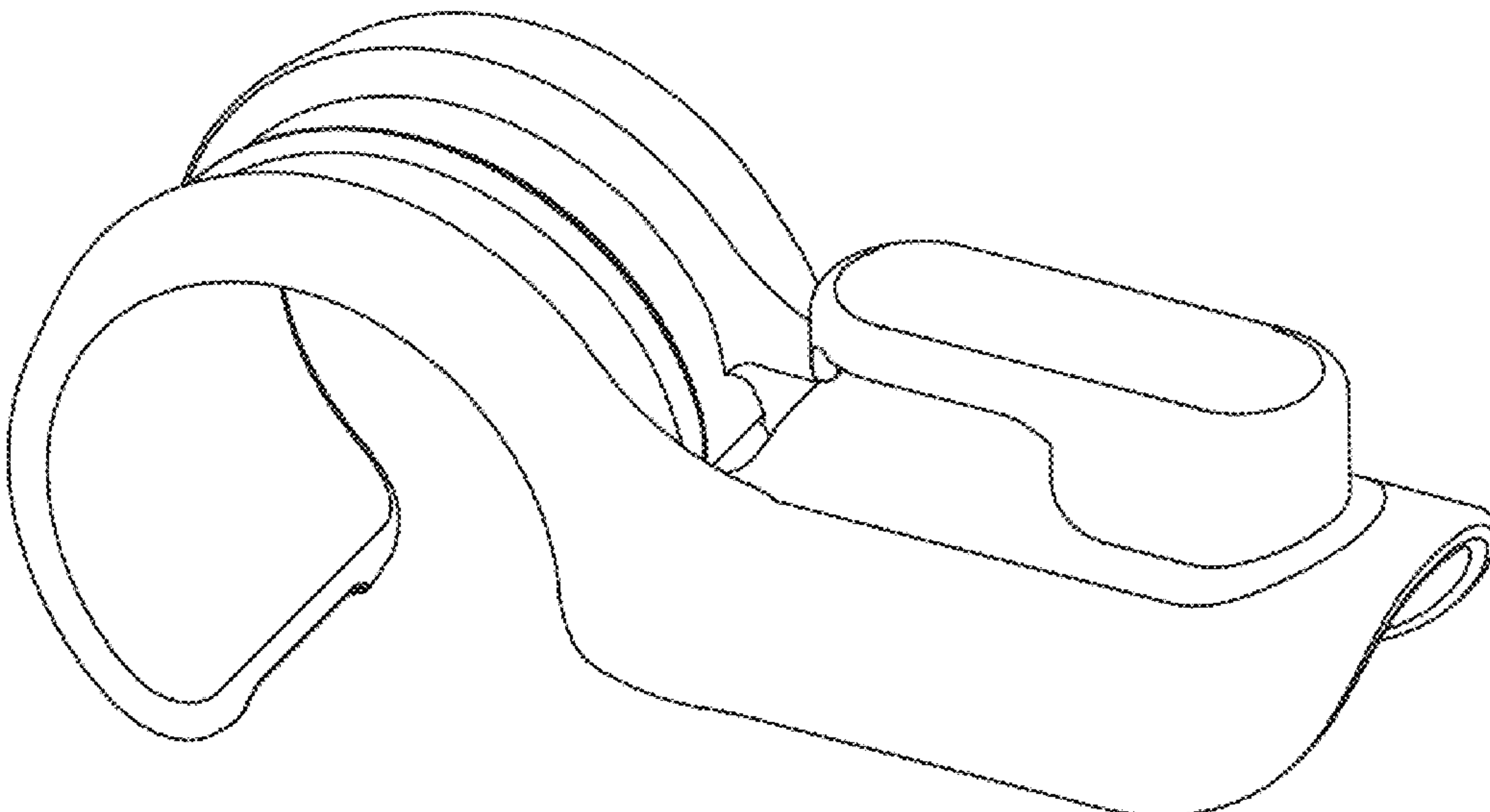
FIG. 3 is another side view thereof;

FIG. 4 is a bottom view thereof;

FIG. 5 is an end view thereof; and,

FIG. 6 is another end view thereof.

1 Claim, 6 Drawing Sheets



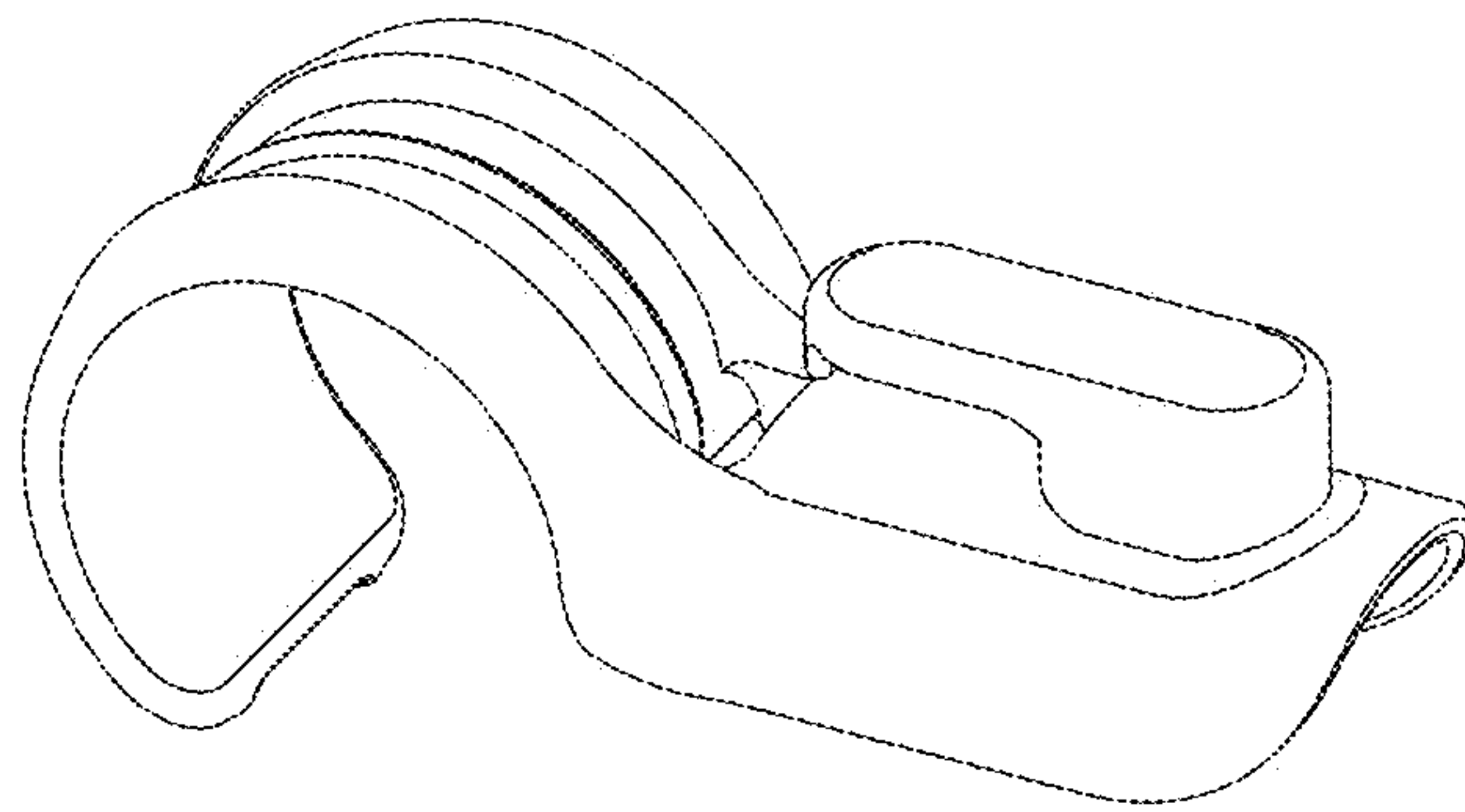


FIG. 1

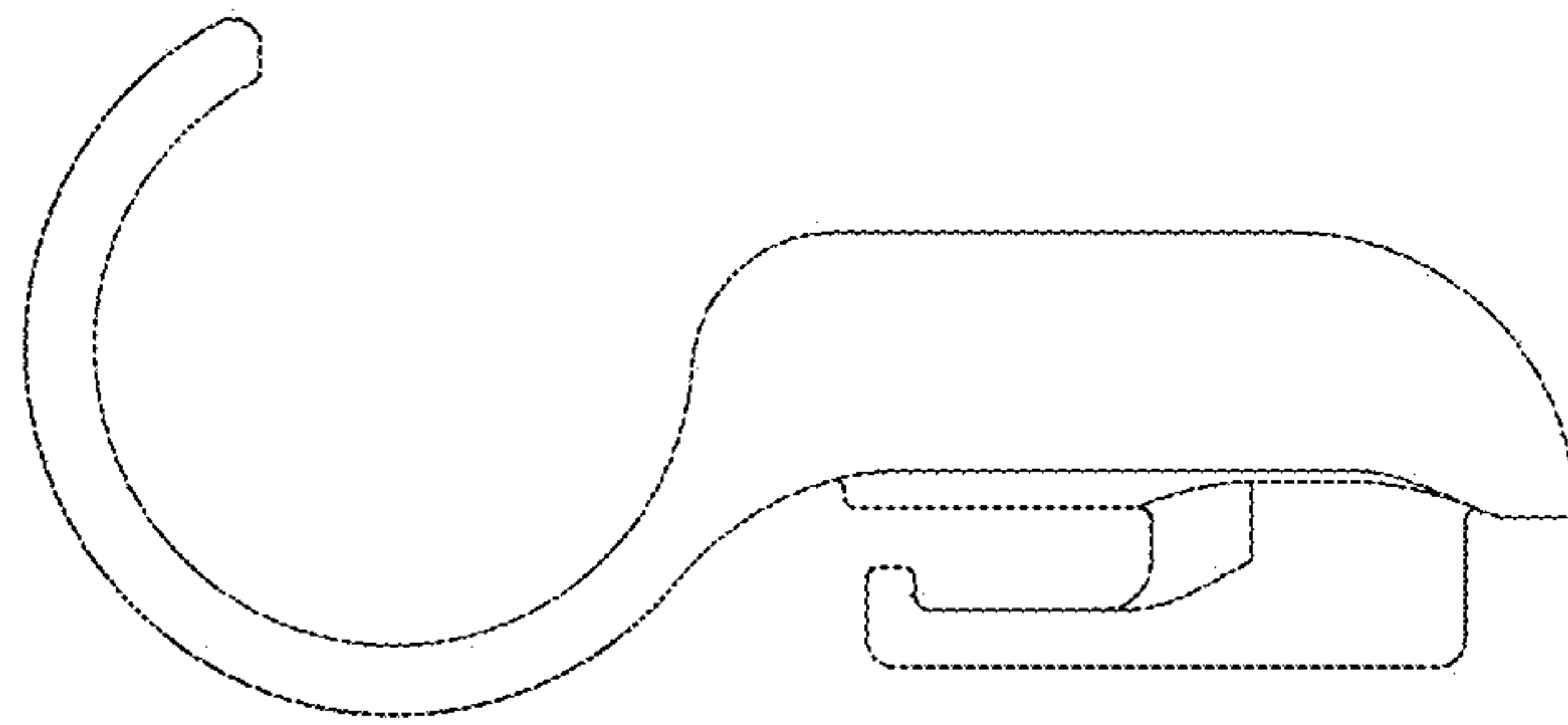


FIG. 2

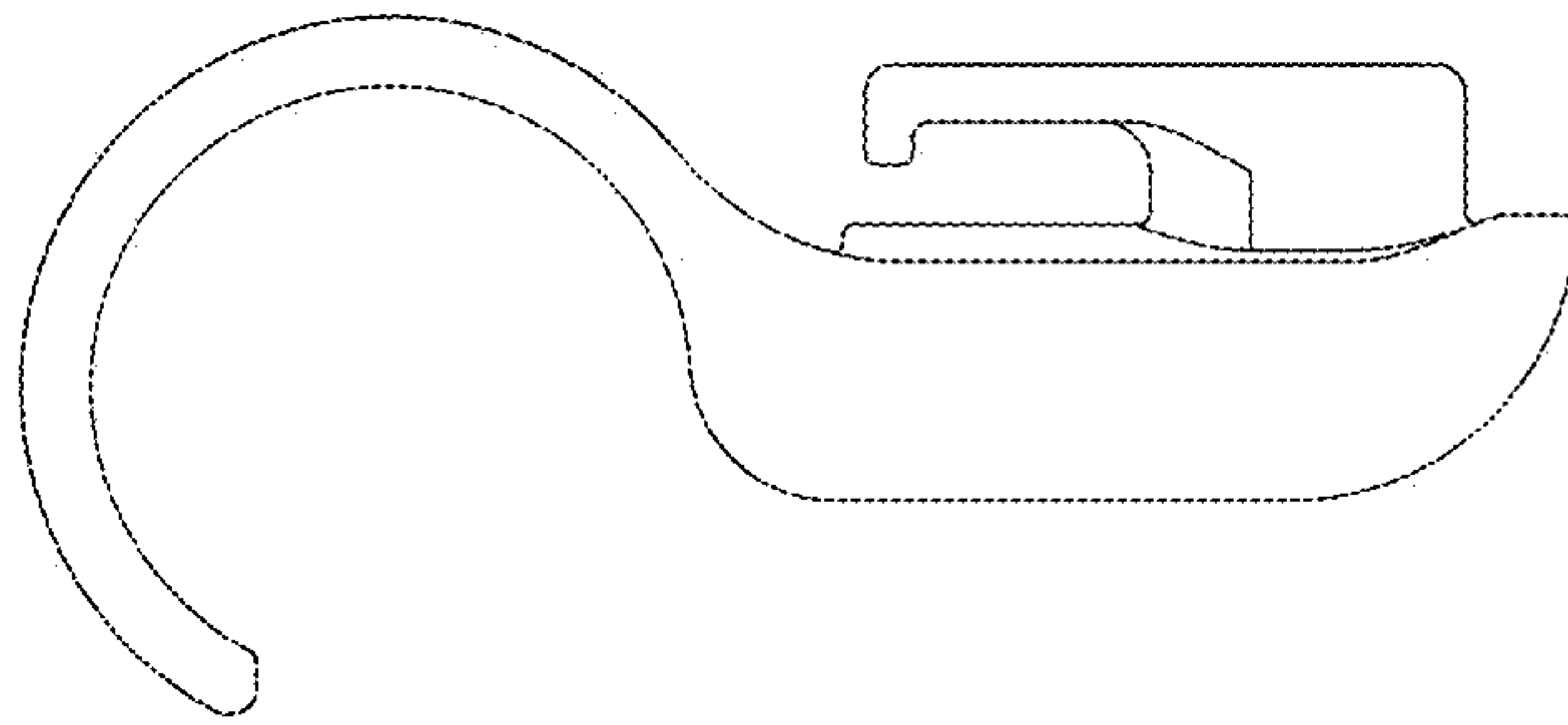


FIG. 3

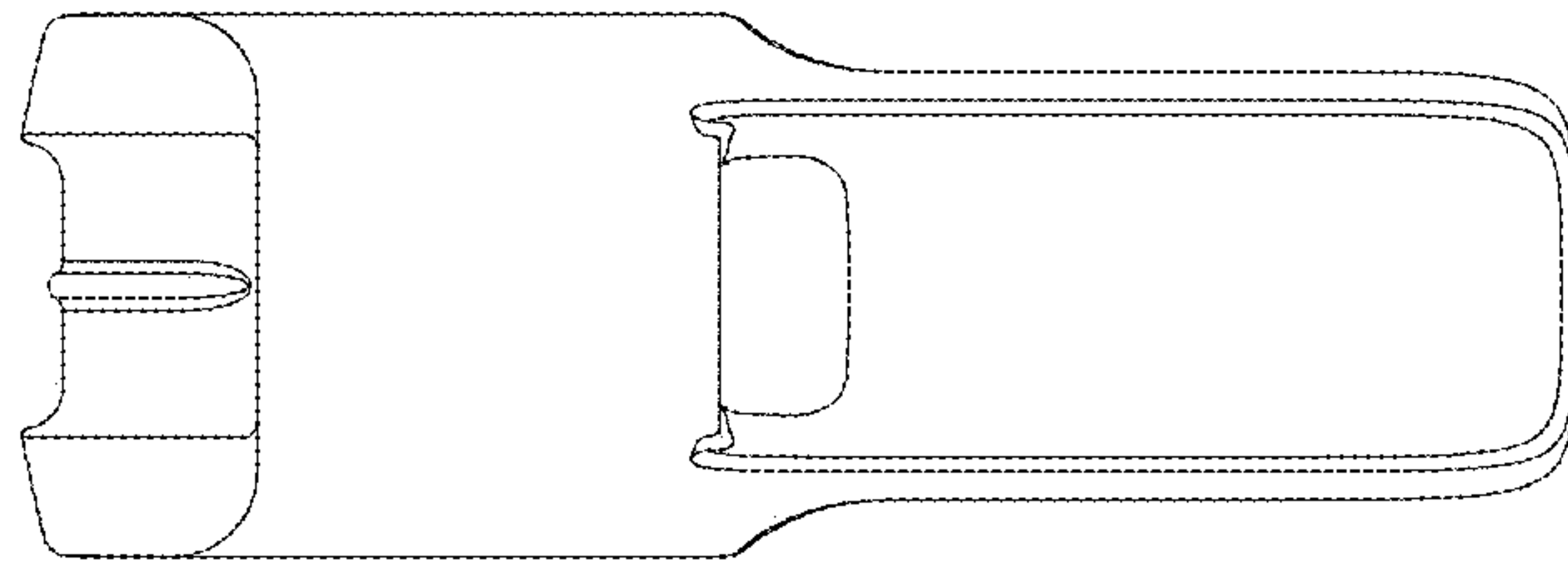


FIG. 4

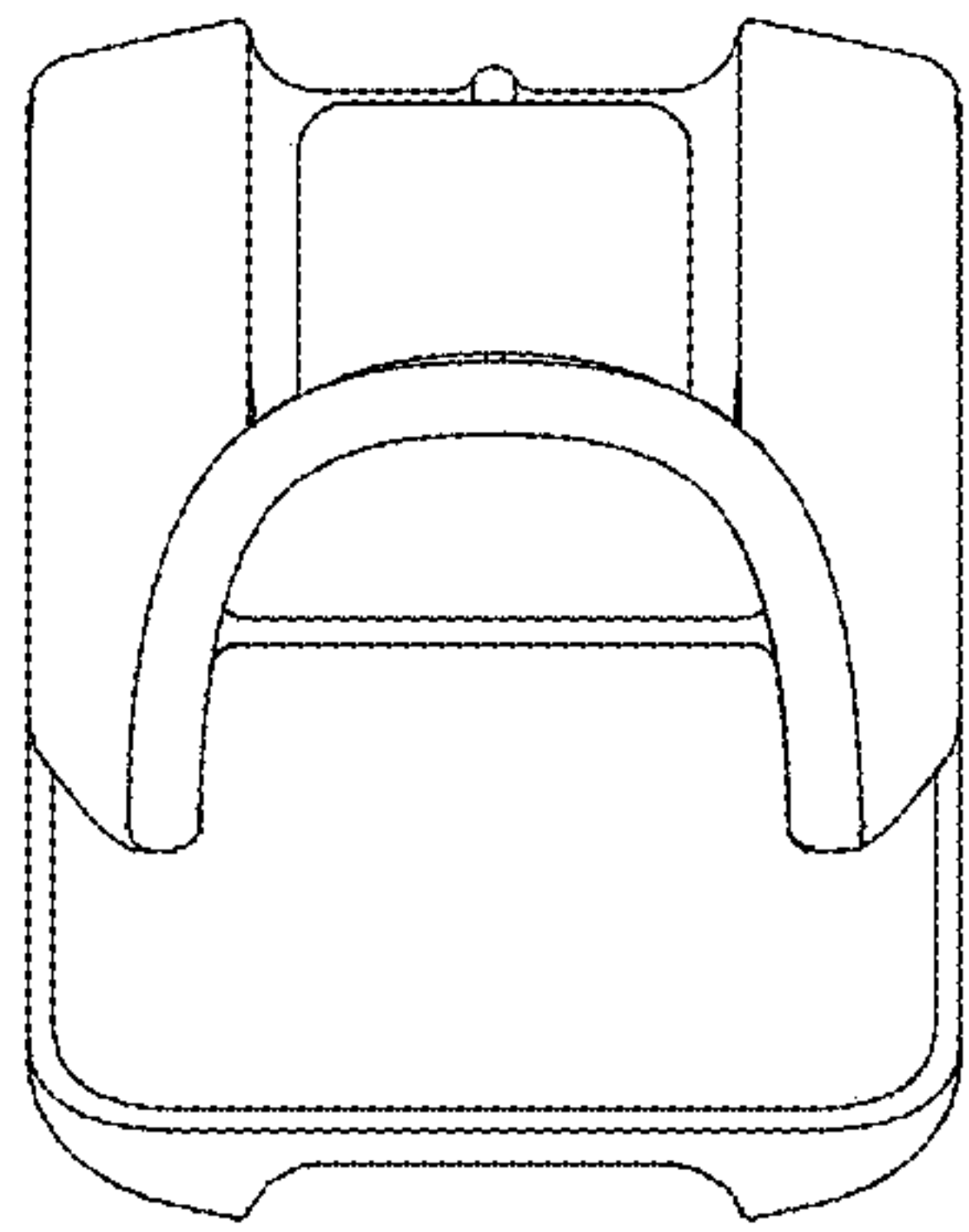


FIG. 5

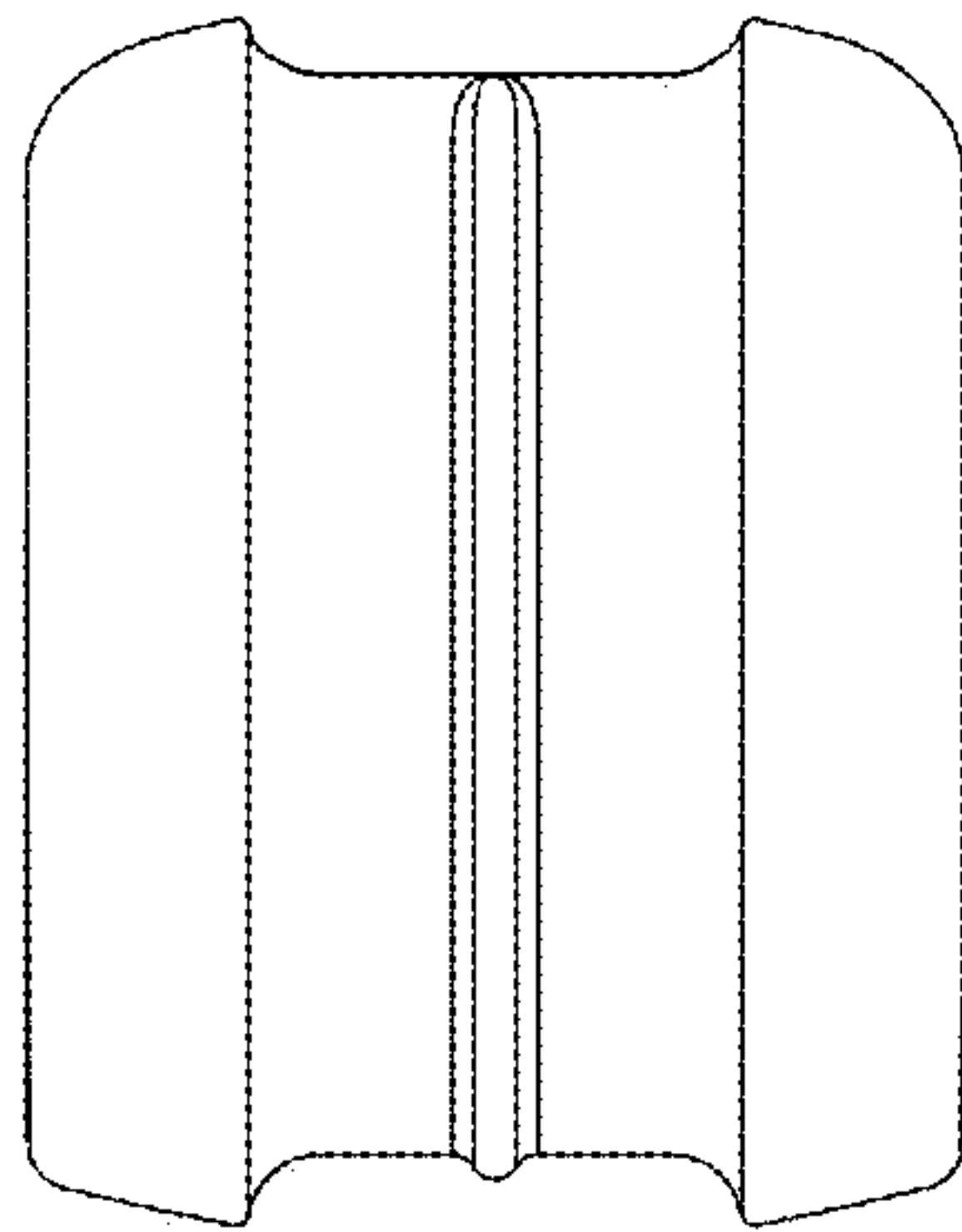


FIG. 6