



US00D983297S

(12) **United States Design Patent**
Mason et al.

(10) **Patent No.:** **US D983,297 S**
(45) **Date of Patent:** **** Apr. 11, 2023**

(54) **RING-SHAPED GOLF ALIGNMENT STICK STAND**

(71) Applicants: **Bradley R. Mason**, Rancho Santa Fe, CA (US); **Jeffrey T. Mason**, Valley Center, CA (US)

(72) Inventors: **Bradley R. Mason**, Rancho Santa Fe, CA (US); **Jeffrey T. Mason**, Valley Center, CA (US)

(**) Term: **15 Years**

(21) Appl. No.: **29/769,137**

(22) Filed: **Feb. 3, 2021**

(51) **LOC (14) Cl.** **21-02**

(52) **U.S. Cl.**
USPC **D21/791**

(58) **Field of Classification Search**
USPC D21/789, 791
CPC A63B 69/3623; A63B 69/3608; A63B 69/3658; A63B 69/3661; A63B 69/3667; A63B 69/3691

See application file for complete search history.

(56) **References Cited**

U.S. PATENT DOCUMENTS

- 4,225,162 A * 9/1980 Dola F16L 33/26
285/251
- D264,114 S * 4/1982 Wojciechowski D21/790
- 4,447,749 A * 5/1984 Reeb, Jr. H01R 13/18
429/96
- 5,026,065 A * 6/1991 Bellagamba A63B 69/36211
473/216
- D336,121 S * 6/1993 Bellagamba D21/791
- D336,673 S * 6/1993 Ohly D21/791
- D338,940 S * 8/1993 Pellington D21/792
- 5,302,980 A * 4/1994 Barrett A61B 3/107
351/212
- D375,774 S * 11/1996 Harrold D21/791
- 5,595,545 A * 1/1997 O'Brien A63B 69/36211
473/259
- D435,618 S * 12/2000 Polk, III D21/790

- 7,238,116 B1 * 7/2007 Sulzener A63B 69/3676
473/258
- 7,278,924 B2 * 10/2007 Weidlich A63B 69/3676
473/409
- 7,611,420 B1 * 11/2009 Turner A63B 69/36211
473/258
- D607,076 S * 12/2009 Hadley D21/791
(Continued)

OTHER PUBLICATIONS

Golf swing alignment disc google search; google.com; Aug. 6, 2022.*
Alignment disc; whygolf.com; Aug. 6, 2022.*

Primary Examiner — Mitchell I. Siegel
(74) *Attorney, Agent, or Firm* — Rodney F. Brown

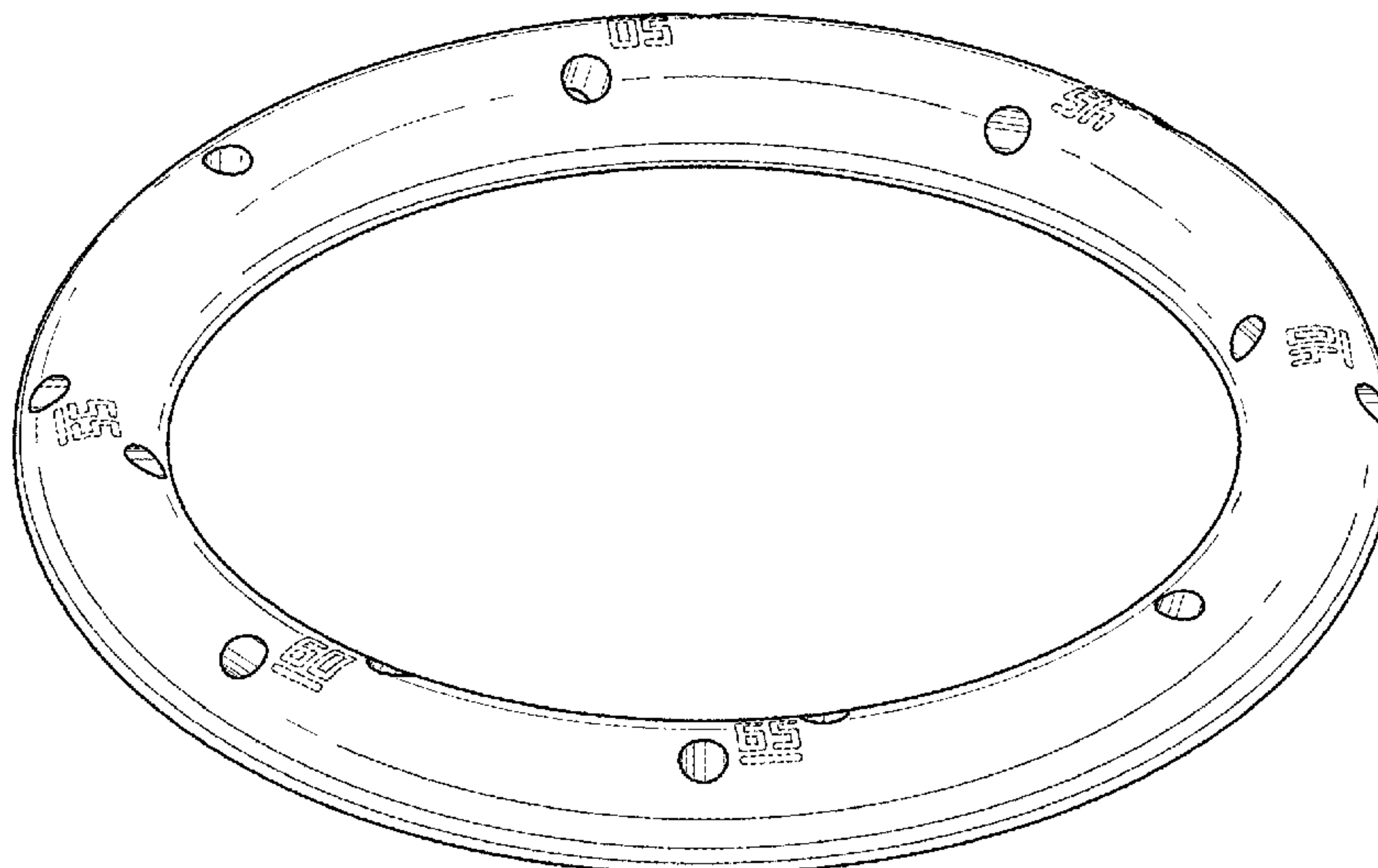
(57) **CLAIM**

The ornamental design for a ring-shaped golf alignment stick stand, as shown and described.

DESCRIPTION

FIG. 1 is perspective view showing our ring-shaped golf alignment stick stand design;
FIG. 2 is a top plan view of our ring-shaped golf alignment stick stand design;
FIG. 3 is a front elevation of our ring-shaped golf alignment stick stand design shown in FIG. 2;
FIG. 4 is a side elevation thereof rotated clockwise 90° from the view of FIG. 3;
FIG. 5 is a back elevation thereof rotated clockwise 180° from the view of FIG. 3;
FIG. 6 is an opposite side elevation thereof rotated clockwise 270° from the view of FIG. 3; and,
FIG. 7 is a bottom plan view of our ring-shaped golf alignment stick stand design.
The broken lines on the drawings form no part of the claimed design.

1 Claim, 5 Drawing Sheets



(56)

References Cited

U.S. PATENT DOCUMENTS

D614,253 S * 4/2010 Hadley D21/791
7,988,563 B2 * 8/2011 Turner A63B 69/3632
473/258
8,105,177 B2 * 1/2012 Turner A63B 69/3632
473/259
8,715,098 B2 * 5/2014 Napolitano A63B 69/36211
473/258
D738,451 S * 9/2015 Olson D21/790
D767,329 S * 9/2016 Mock D7/392.1
D780,870 S * 3/2017 Hamilton A63B 57/357
D21/791
10,258,858 B2 * 4/2019 Kierath G09B 19/0038
D858,673 S * 9/2019 Stevens D21/789
D862,622 S * 10/2019 Goserud D21/791
10,646,766 B2 * 5/2020 Zimmerman, II . A63B 21/0058
D933,725 S * 10/2021 Koppa D15/138
D934,315 S * 10/2021 Lavitsky D15/138
D956,909 S * 7/2022 Engler D21/791

* cited by examiner

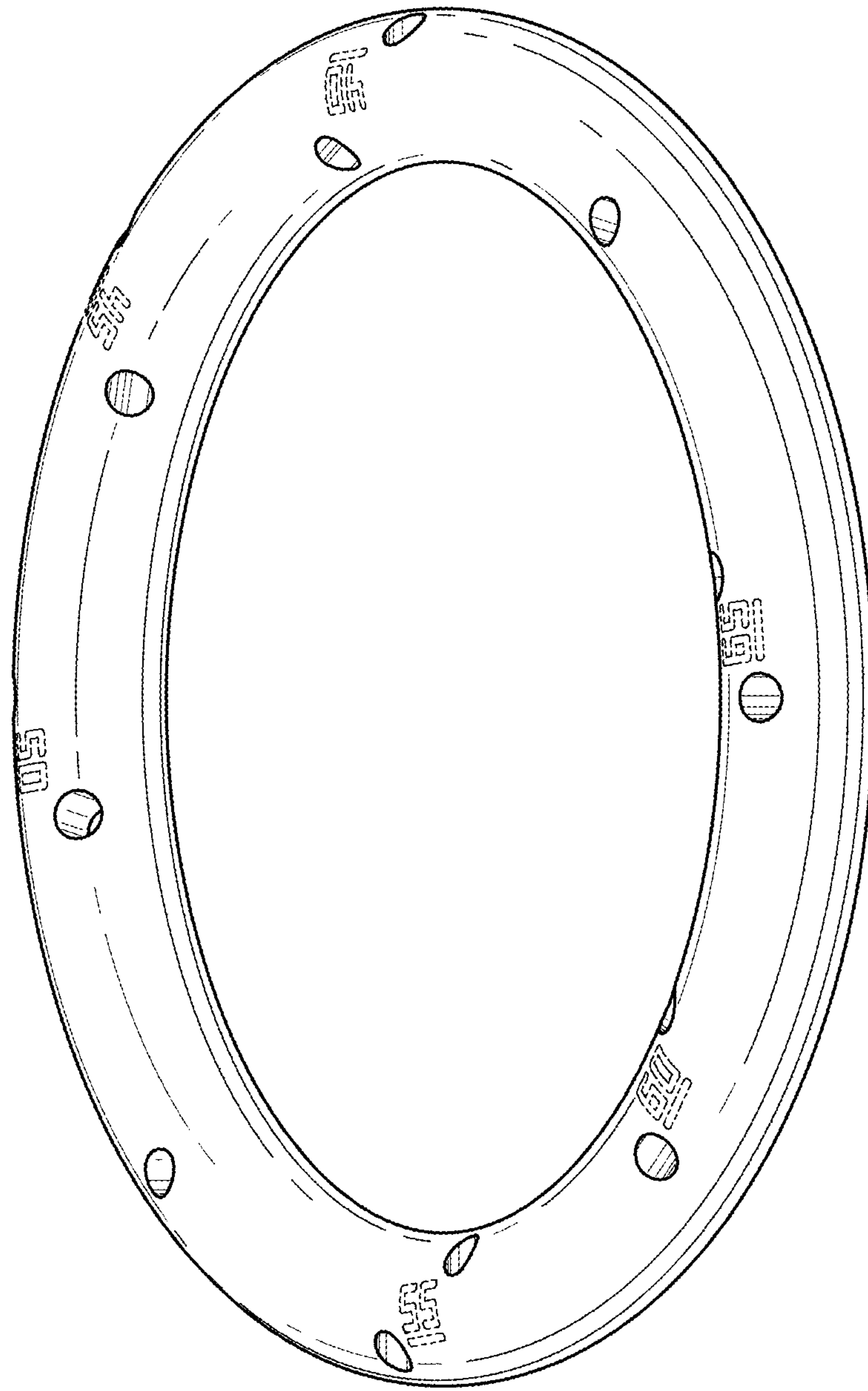


FIG. 1

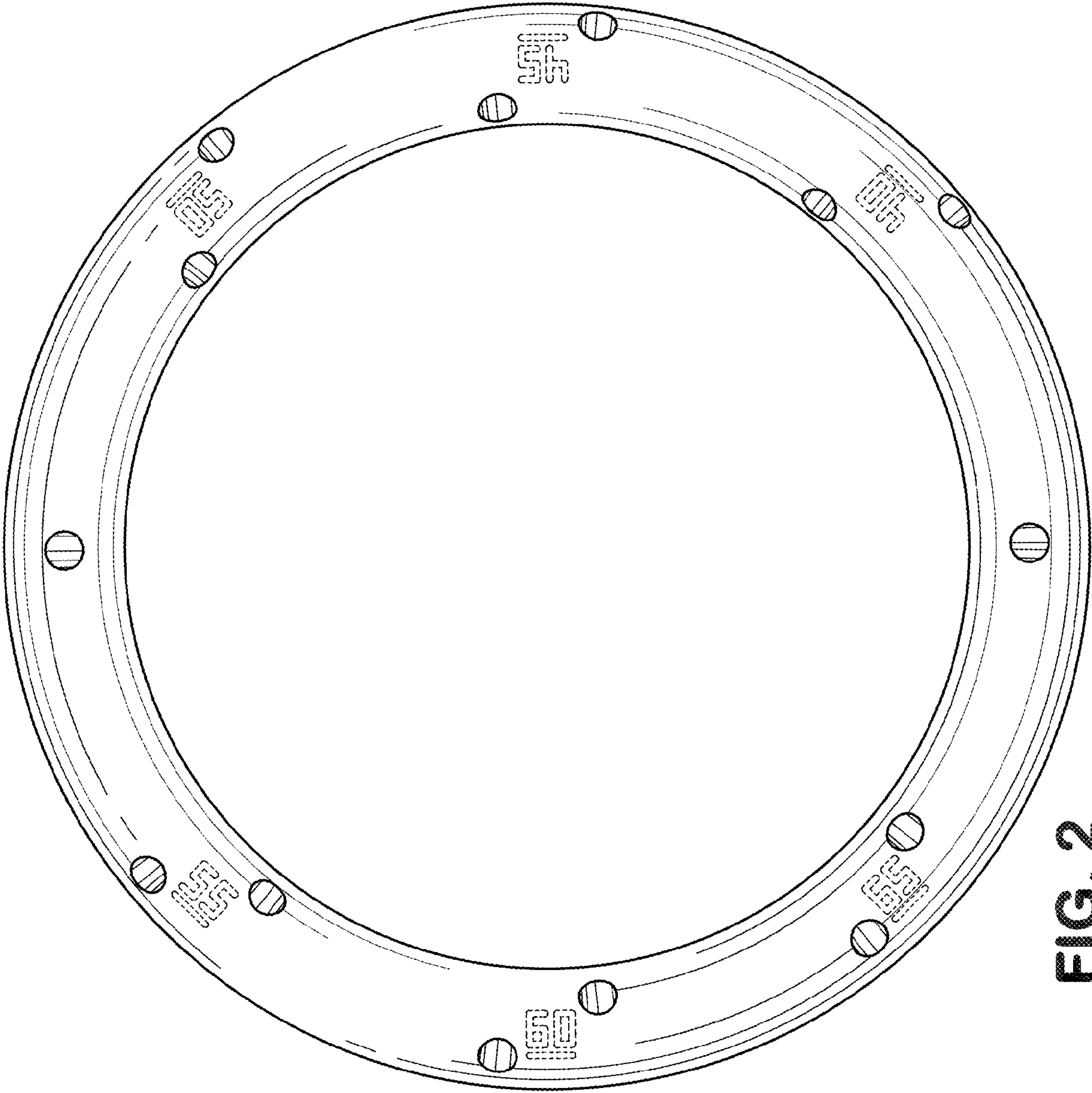


FIG. 2

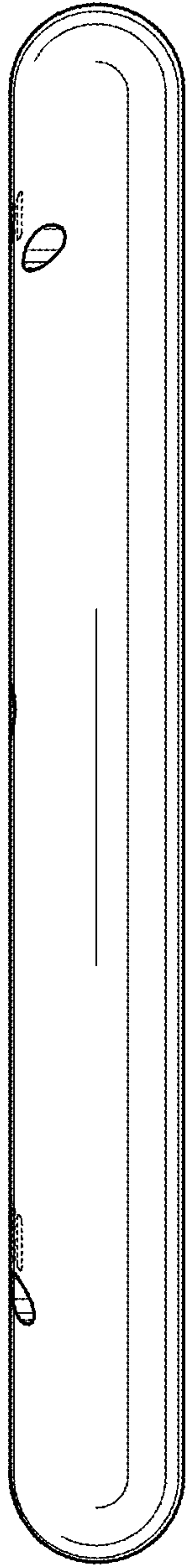


FIG. 3

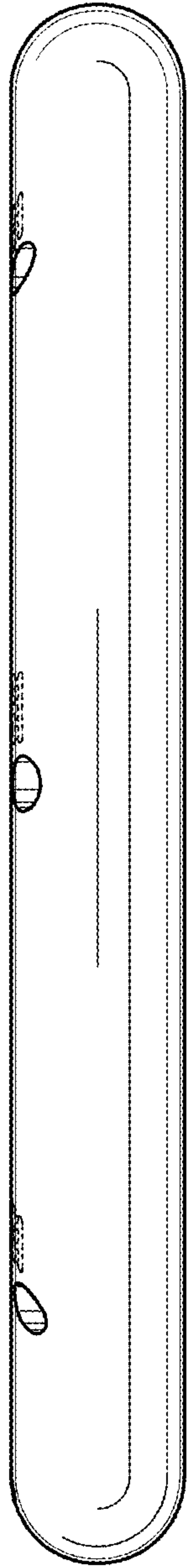


FIG. 4

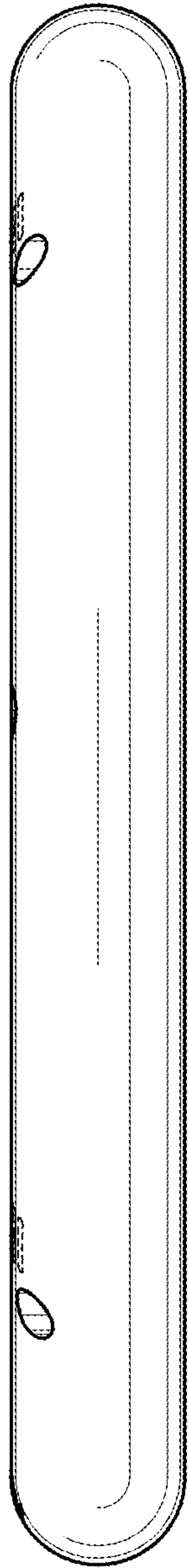


FIG. 5

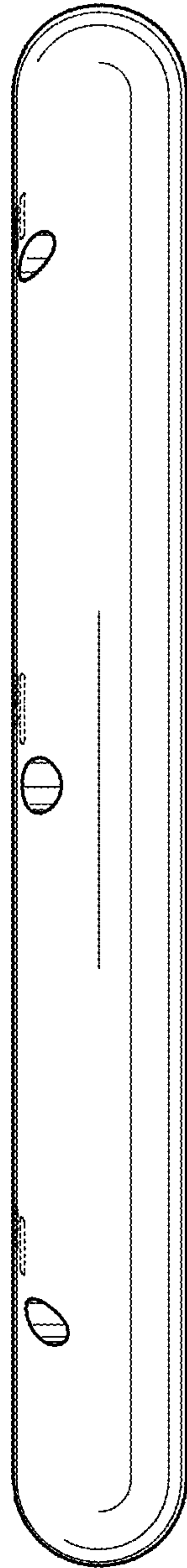


FIG. 6

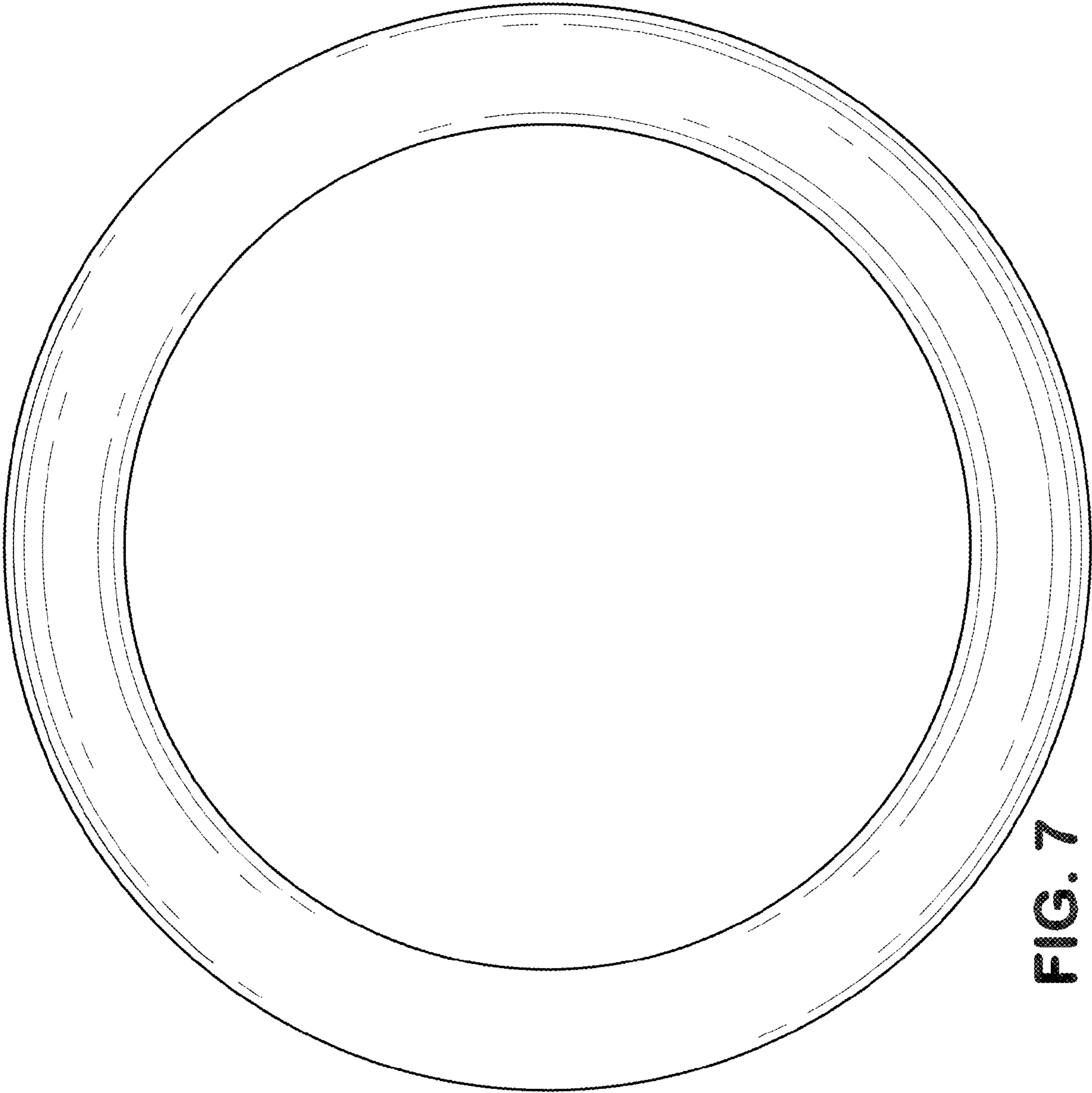


FIG. 7