



US00D983296S

(12) **United States Design Patent**
Kalamdaryan

(10) **Patent No.:** **US D983,296 S**

(45) **Date of Patent:** **** Apr. 11, 2023**

(54) **CUE TIP SHAPER AND SCUFFER**

(71) Applicant: **Vartan Kalamdaryan**, Los Angeles, CA (US)

(72) Inventor: **Vartan Kalamdaryan**, Los Angeles, CA (US)

(**) Term: **15 Years**

(21) Appl. No.: **29/766,115**

(22) Filed: **Jan. 13, 2021**

(51) **LOC (14) Cl.** **21-01**

(52) **U.S. Cl.**
USPC **D21/782**

(58) **Field of Classification Search**
USPC D21/782, 783, 726, 385, 386
CPC A63D 15/00; A63D 15/006; A63D 15/008
See application file for complete search history.

(56) **References Cited**

U.S. PATENT DOCUMENTS

D256,265 S *	8/1980	DiLuzio	D21/782
D256,712 S *	9/1980	Bushberger	D22/112
D273,315 S *	4/1984	Matteson	D21/782
4,594,782 A *	6/1986	Willard	B24D 15/00 D8/90
D316,133 S *	4/1991	Weiss, Jr.	D21/782
D320,057 S *	9/1991	Roberts	D21/782
5,046,728 A *	9/1991	Haddock	A63D 15/16 473/36
D332,814 S *	1/1993	Gossman	D21/793
5,208,985 A *	5/1993	Carter	A63D 15/14 30/360
D423,620 S *	4/2000	Cooper	D21/782
6,226,825 B1 *	5/2001	Method	B24D 15/02 7/164
D569,468 S *	5/2008	Wynn	D21/782
D764,616 S *	8/2016	Schiff	D21/386
2005/0091858 A1 *	5/2005	Costain	A63D 15/14 30/494

OTHER PUBLICATIONS

“Tiger Cue Tip Scuffer and Shaper” posted Oct. 6, 2022[Online],[retrieved Jan. 5, 2023]. Retrieved from Internet:

<https://seyberts.com/products/tiger-cue-tip-shaper-and-scuffer?variant=41733361041606#ssw-widget-recommends-html>.*

“Tiger Cue Tip Scuffer and Shaper” posted date unavailable[Online],[retrieved Jan. 5, 2023]. Retrieved from Internet: <https://www.rgames.com/tiger-cue-tip-scuffer-and-shaper.html>.*

* cited by examiner

Primary Examiner — Mehri F Bajoul

(74) *Attorney, Agent, or Firm* — Roy L Anderson

(57) **CLAIM**

The ornamental design for a cue tip shaper and scuffer, as shown and described.

DESCRIPTION

FIG. 1 is a top front left side perspective view of a first embodiment of a cue tip shaper and scuffer showing my new design in a closed position;

FIG. 2 is a front perspective view thereof; showing the cup tip shaper and scuffer in an open position;

FIG. 3 is a top front perspective view in an alternate position;

FIG. 4 is a top front bottom perspective view of FIG. 1 thereof;

FIG. 5 is top front rear perspective view thereof;

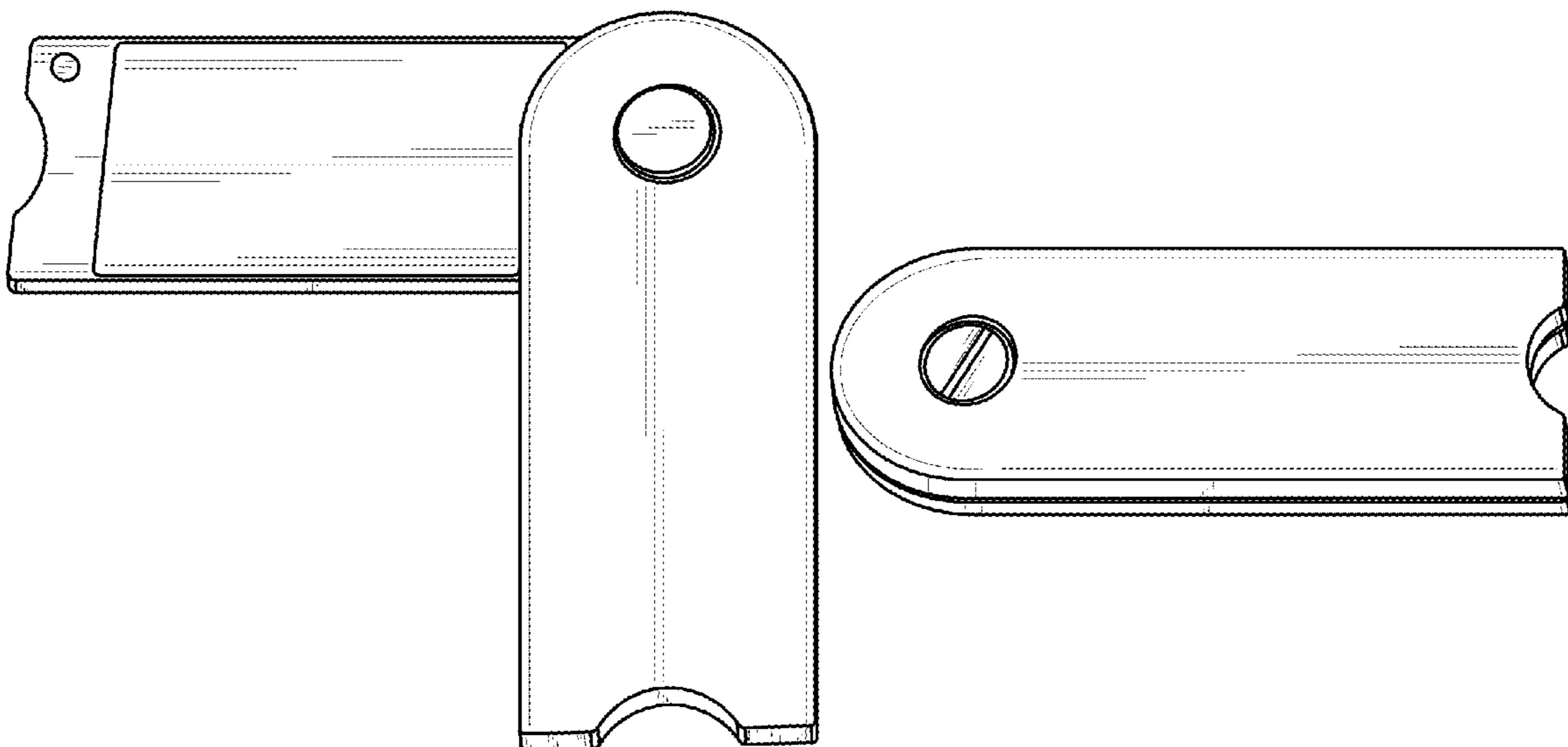
FIG. 6 is a left bottom perspective view thereof;

FIG. 7 is a right bottom perspective view thereof, in a rotated position;

FIG. 8 is a top front left perspective view of the second embodiment; and,

FIG. 9 is a top front left perspective view thereof showing the cup tip shaper and scuffer in an open position; the only difference between the first and second embodiments are the shape of the scalloping at the bottom side, and the double lines on the circular joint.

1 Claim, 9 Drawing Sheets



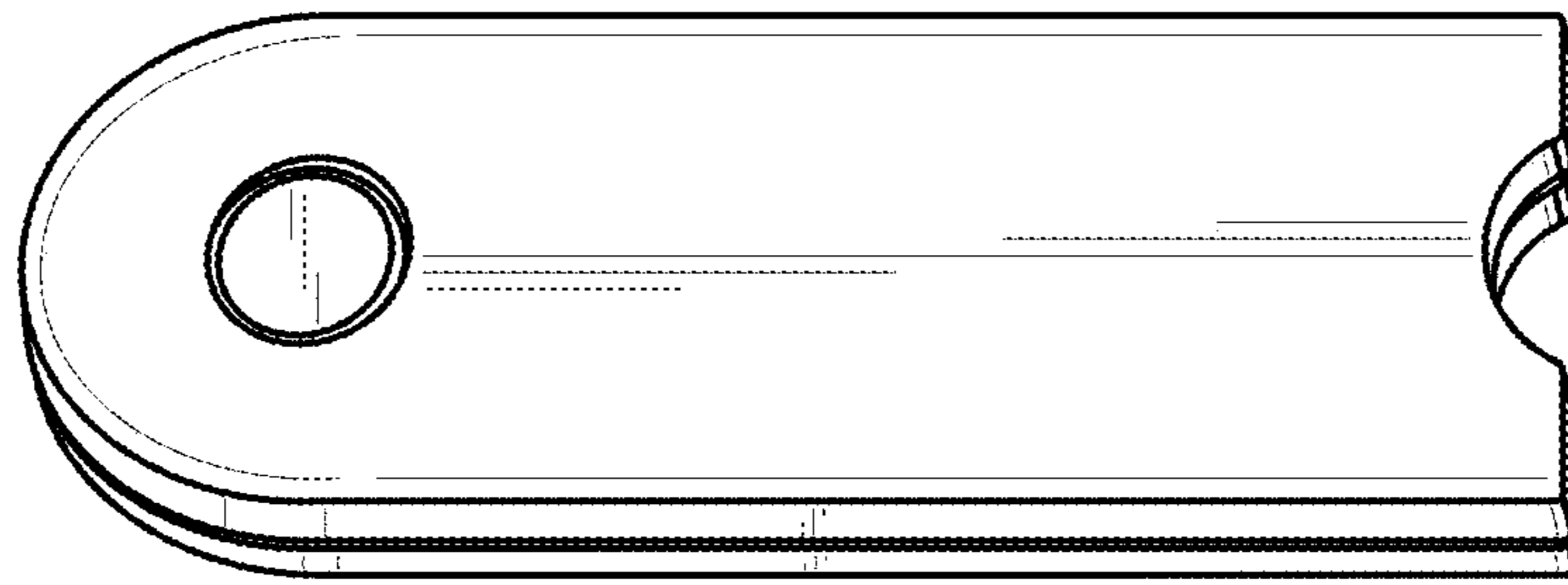


FIG. 1

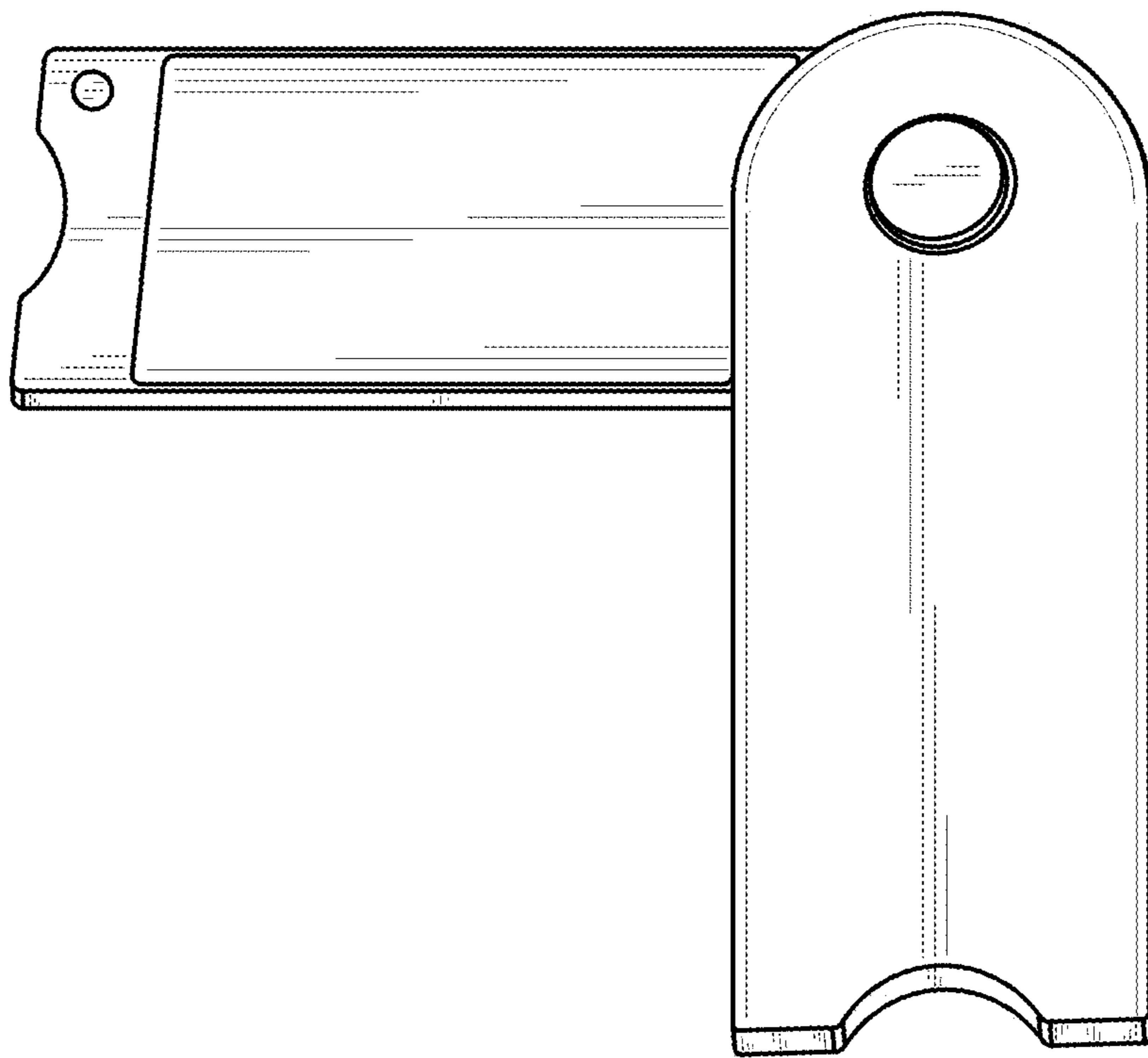


FIG. 2

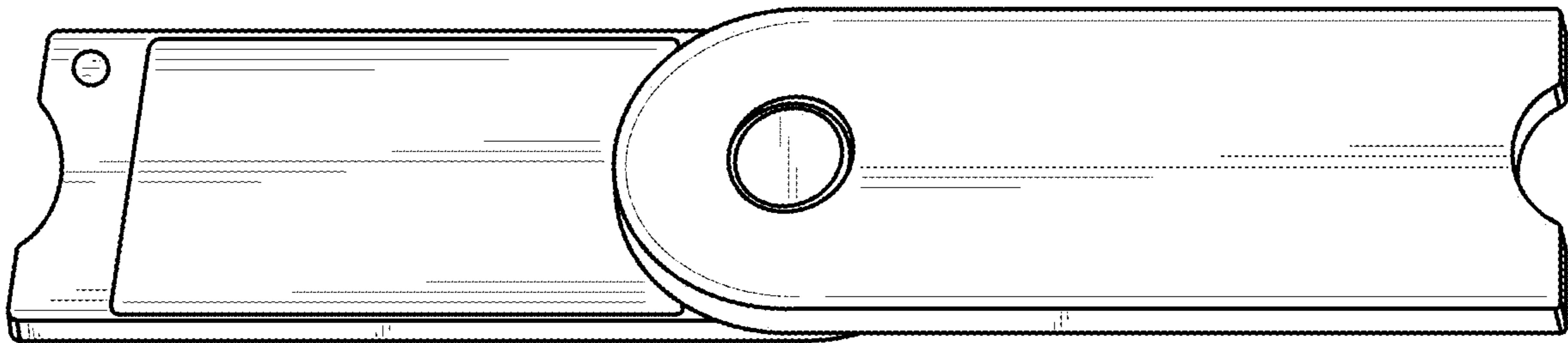


FIG. 3

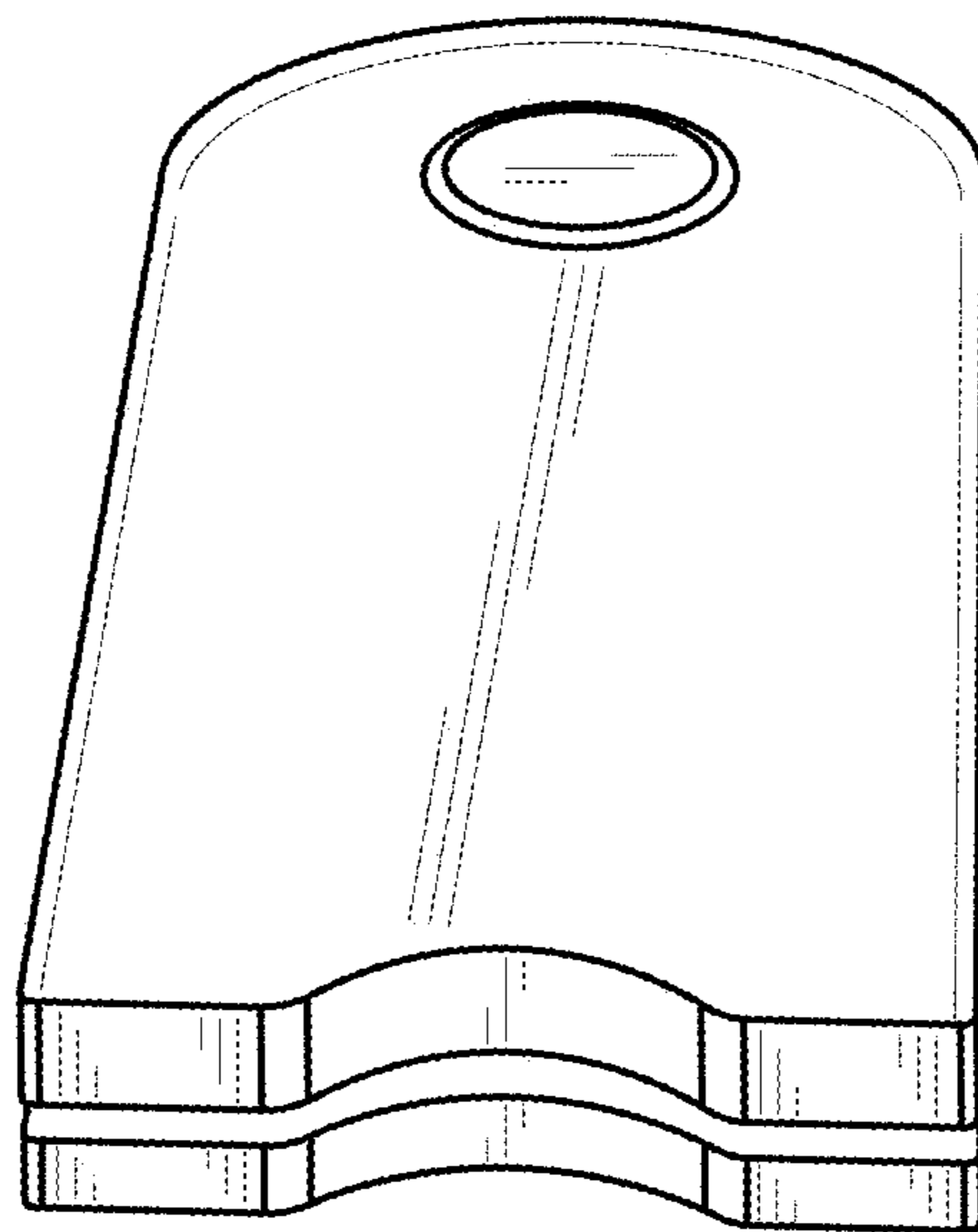


FIG. 4

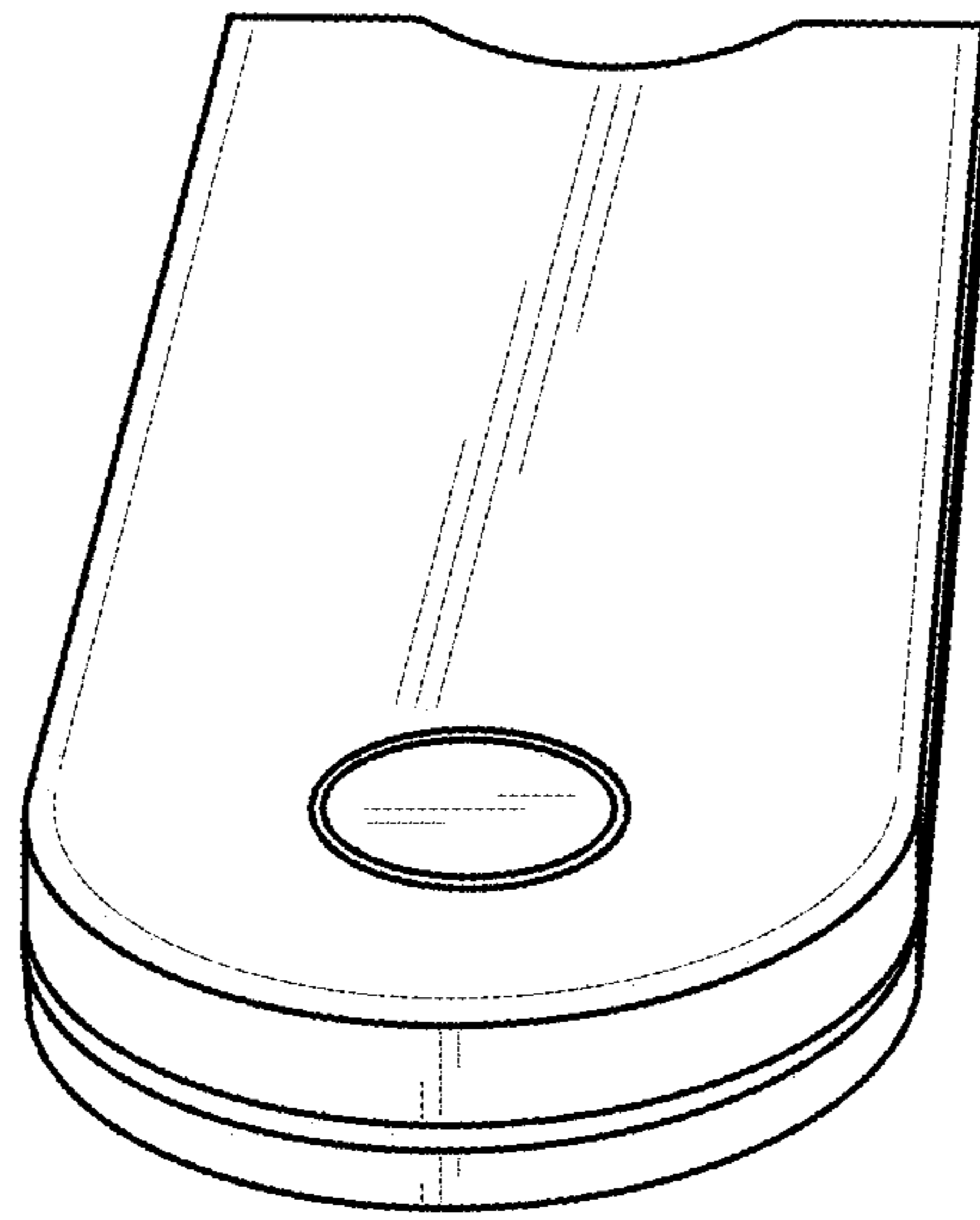


FIG. 5



FIG. 6



FIG. 7

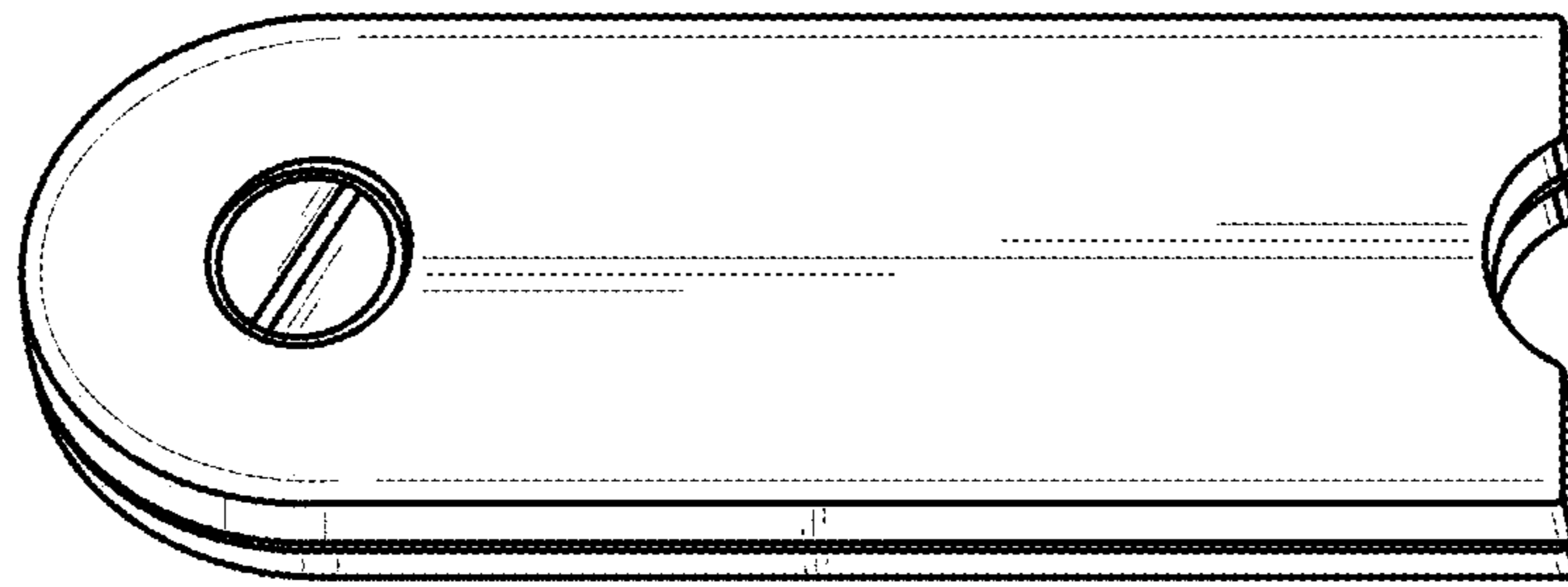


FIG. 8

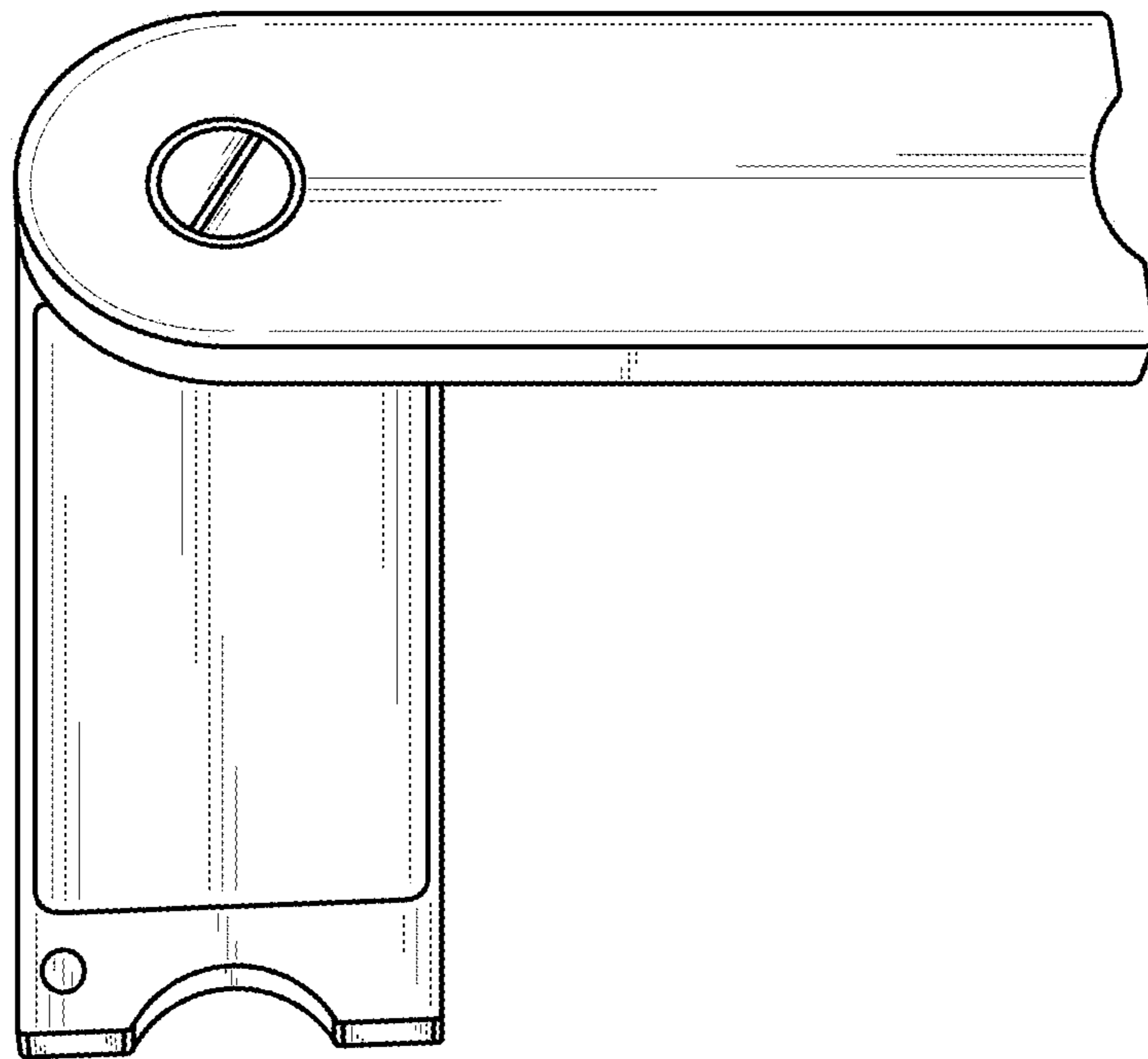


FIG. 9