



US00D983295S

(12) **United States Design Patent**  
**Cao**

(10) **Patent No.:** **US D983,295 S**

(45) **Date of Patent:** **\*\* Apr. 11, 2023**

(54) **ELECTRIC SELF-BALANCING SCOOTER**

D891,297 S \* 7/2020 Zhou ..... D12/1  
D902,077 S \* 11/2020 Wang ..... D21/760  
D905,595 S \* 12/2020 Wang ..... D12/1

(71) Applicant: **Zhifeng Cao**, Shanxi (CN)

(72) Inventor: **Zhifeng Cao**, Shanxi (CN)

(73) Assignee: **Shenzhen Tomoloo Technology Industrial Co., LTD.**, Shenzhen (CN)

(\*\*) Term: **15 Years**

(21) Appl. No.: **29/759,107**

(22) Filed: **Nov. 20, 2020**

(51) **LOC (14) Cl.** ..... **12-17**

(52) **U.S. Cl.**  
USPC ..... **D21/760**; D21/419; D21/421

(58) **Field of Classification Search**  
USPC ..... D12/1, 2, 3, 4, 107, 207; D21/419, 421,  
D21/493, 426, 760

CPC ..... B62K 11/007; B62K 2204/00  
See application file for complete search history.

(56) **References Cited**

**U.S. PATENT DOCUMENTS**

5,898,368 A \* 4/1999 Handley ..... G08B 29/14  
340/506  
D778,782 S \* 2/2017 Chen ..... D12/1  
D805,429 S \* 12/2017 Cao ..... D12/1  
D808,300 S \* 1/2018 Cao ..... D12/1  
D837,323 S \* 1/2019 Desberg ..... B62K 11/007  
D21/760  
10,421,006 B1 \* 9/2019 Li ..... A63C 17/002  
D886,670 S \* 6/2020 Cao ..... D21/760  
D888,857 S \* 6/2020 Yao ..... D21/763

**OTHER PUBLICATIONS**

“Hoverstar Bluetooth Hover board 6.5 In. Certified Two-Wheel Self Balancing Electric Scooter with LED Light” Walmart.com, post Published Unavailable. Retrieved Nov. 9, 2022. Available online at URL:<https://www.walmart.com/ip/Hoverstar-Bluetooth-Hover-board-6-5-In-Certified-Two-Wheel-Self-Bala> (Year: 2022).\*

\* cited by examiner

*Primary Examiner* — Christian P. McLean

*Assistant Examiner* — Jessica Lynn Devilbiss

(57) **CLAIM**

The ornamental design for an electric self-balancing scooter, as shown and described.

**DESCRIPTION**

FIG. 1 is a perspective view of an electric self-balancing scooter showing my new design;

FIG. 2 is a front elevational view thereof;

FIG. 3 is a rear elevational view thereof;

FIG. 4 is a left side elevational view thereof;

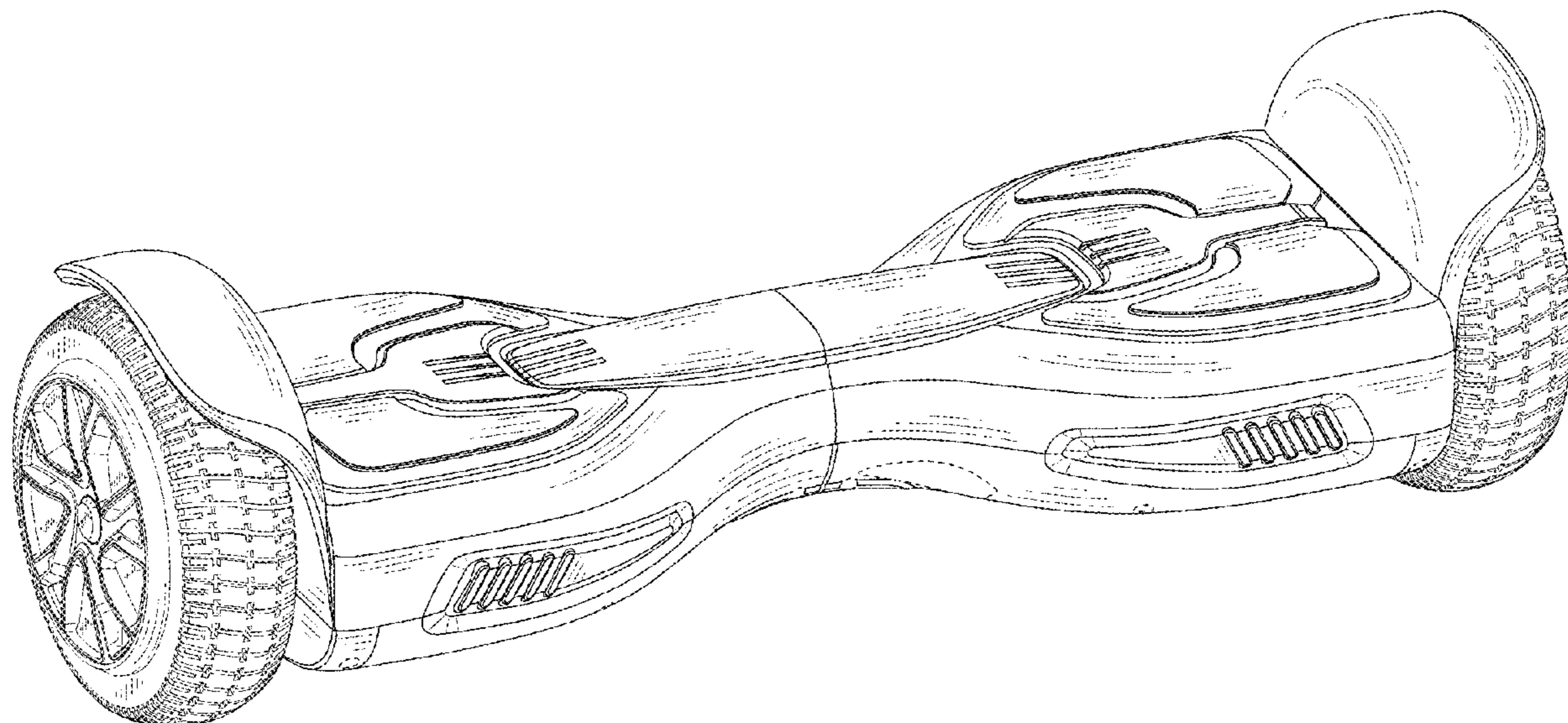
FIG. 5 is a right side elevational view thereof;

FIG. 6 is a top plan view thereof; and,

FIG. 7 is a bottom plan view thereof.

The broken lines in the drawings depict portions of the electric self-balancing scooter that form no part of the claimed design.

**1 Claim, 7 Drawing Sheets**



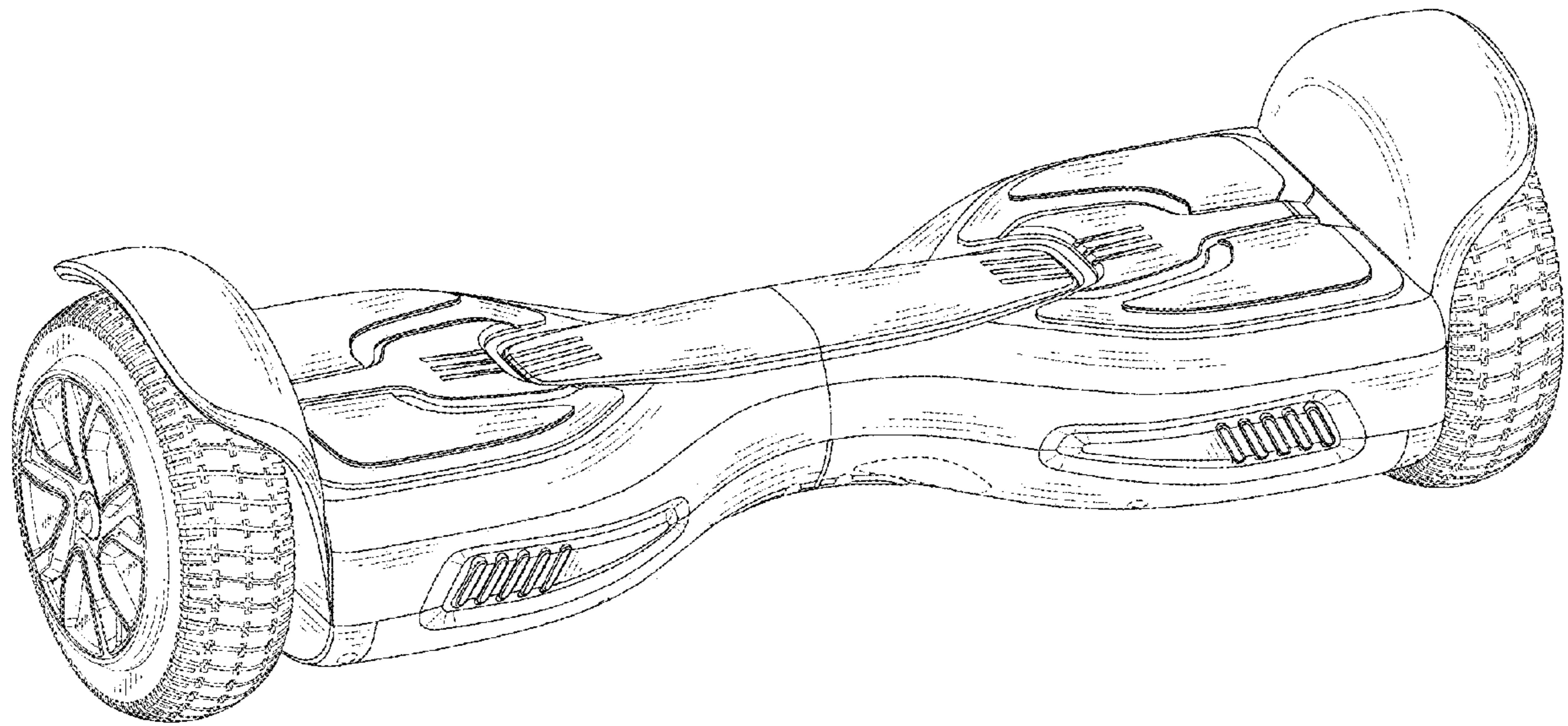


FIG. 1

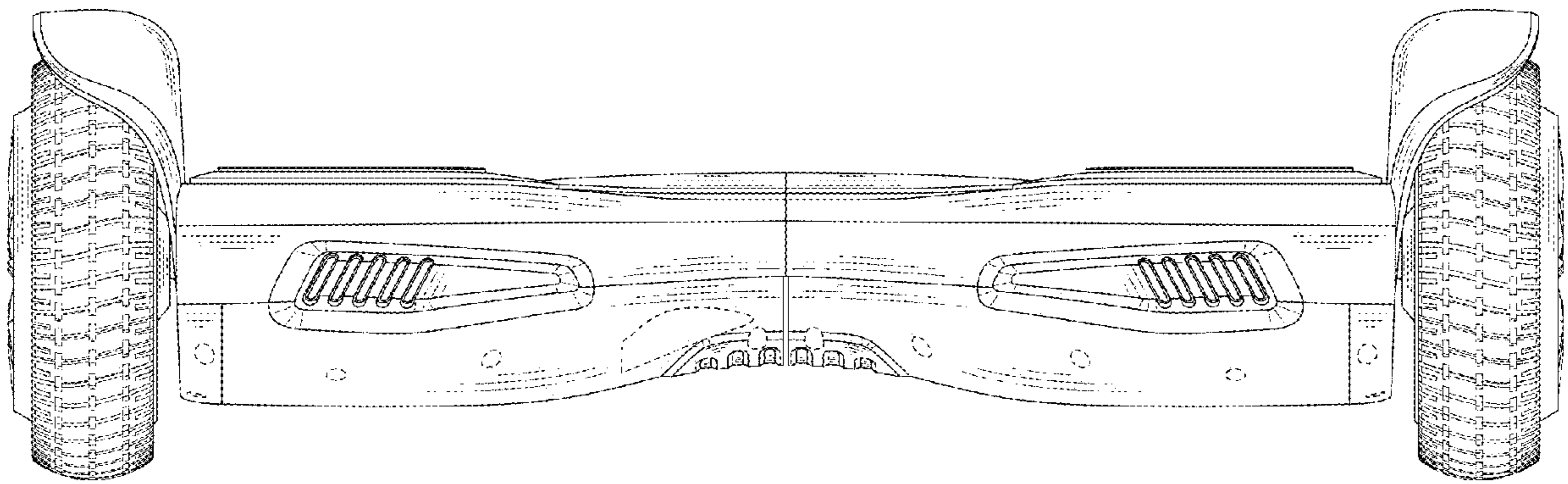


FIG. 2

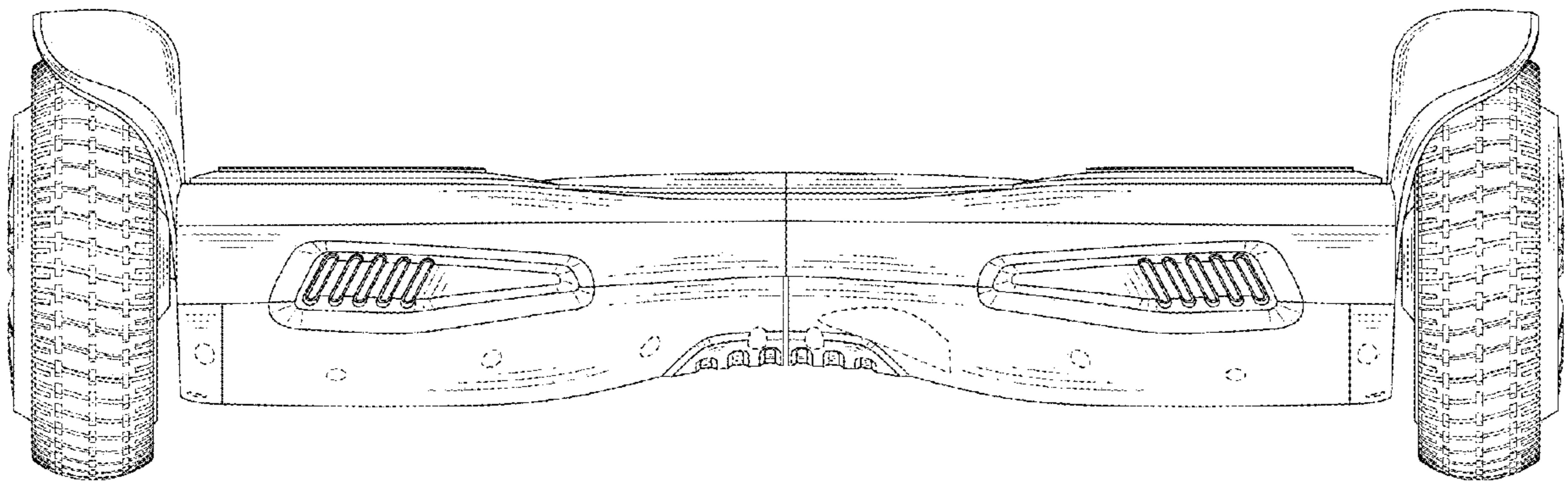


FIG. 3

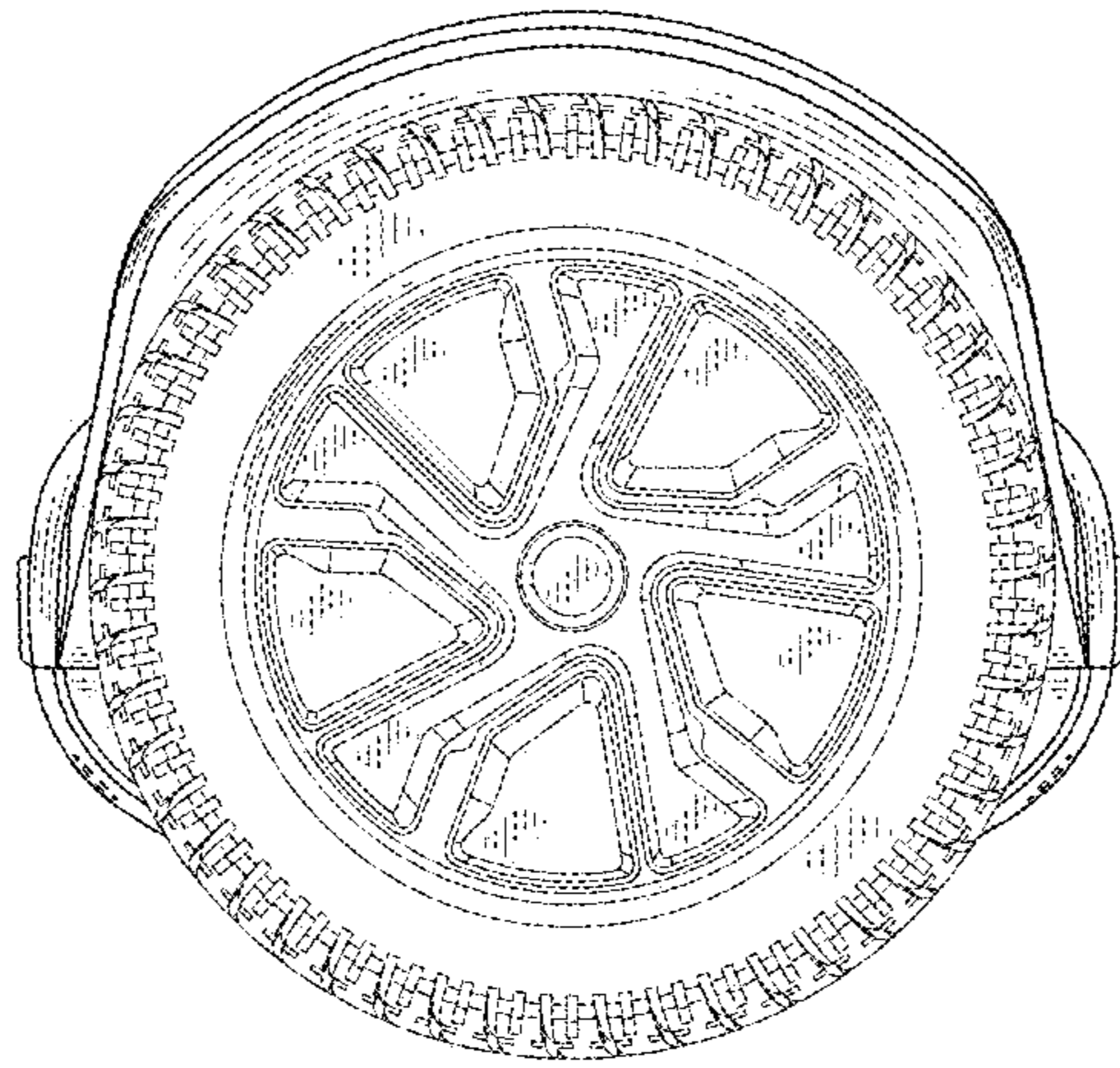


FIG. 4

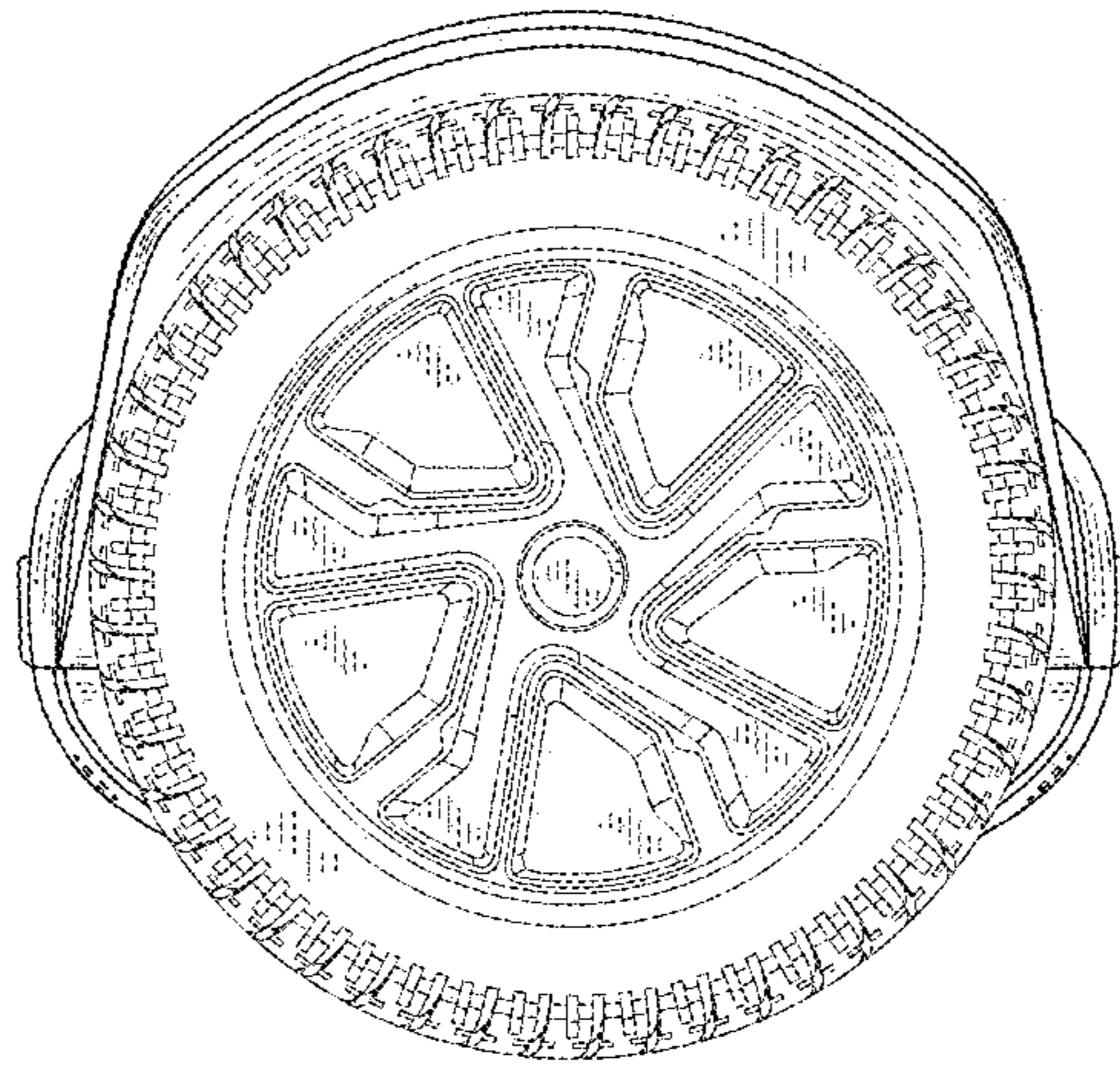


FIG. 5

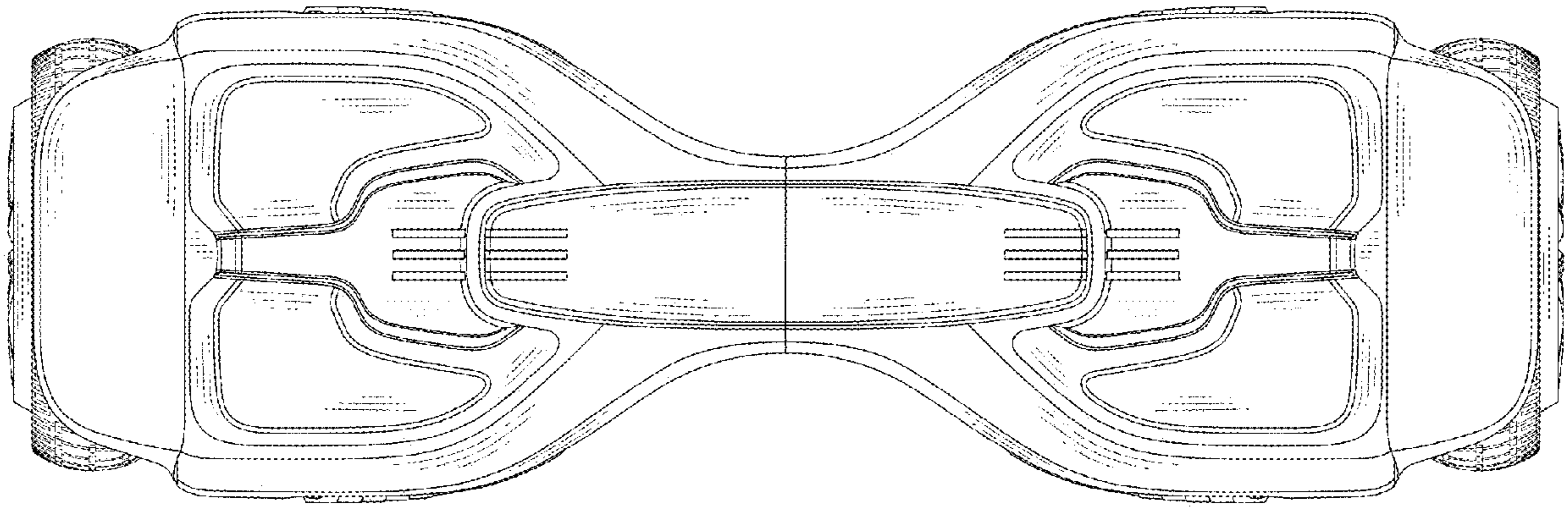


FIG. 6

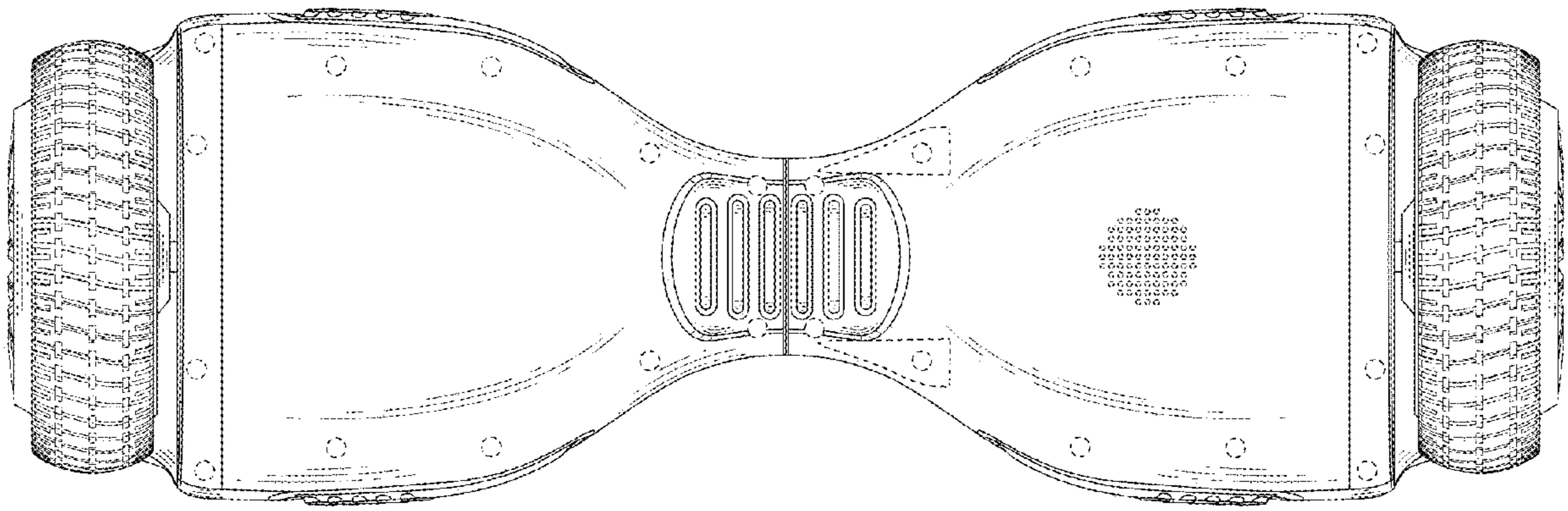


FIG. 7