



US00D983292S

(12) **United States Design Patent** (10) **Patent No.:** **US D983,292 S**  
**Toulon et al.** (45) **Date of Patent:** **\*\* \*Apr. 11, 2023**

(54) **PUTTER HEAD**

(71) Applicant: **Callaway Golf Company**, Carlsbad, CA (US)

(72) Inventors: **Sean Toulon**, Vista, CA (US); **Luke Williams**, Carlsbad, CA (US); **Patrick Dawson**, Poway, CA (US); **JulieAnn Larson**, Oceanside, CA (US); **Keith Kingston**, Carlsbad, CA (US)

(73) Assignee: **Topgolf Callaway Brands Corp.**, Carlsbad, CA (US)

(\*) Notice: This patent is subject to a terminal disclaimer.

(\*\*) Term: **15 Years**

(21) Appl. No.: **29/797,659**

(22) Filed: **Jul. 1, 2021**

(51) **LOC (14) Cl.** ..... **21-02**

(52) **U.S. Cl.**  
USPC ..... **D21/744**

(58) **Field of Classification Search**  
USPC ..... D21/736-746, 759  
CPC ..... A63B 53/00; A63B 53/04; A63B 53/007;  
A63B 53/065; A63B 53/0487; A63B  
60/00; A63B 60/46

See application file for complete search history.

(56) **References Cited**

**U.S. PATENT DOCUMENTS**

D350,177 S *	8/1994	Ramirez .....	D21/745
D517,143 S *	3/2006	Petsel .....	D21/742
D532,845 S *	11/2006	Rollinson .....	D21/736
D565,681 S *	4/2008	Tanaka .....	D21/736
D573,673 S *	7/2008	Noyes .....	D21/721
D574,908 S *	8/2008	Hettinger .....	D21/743
D582,497 S *	12/2008	Rollinson .....	D21/744
D590,461 S *	4/2009	Kim .....	D21/743

D591,807 S *	5/2009	Rollinson .....	D21/744
D688,341 S *	8/2013	Rollinson .....	D21/746
D691,226 S *	10/2013	Hilton .....	D21/746
D773,573 S *	12/2016	Abbott .....	D21/744
D801,457 S *	10/2017	Lewis .....	D21/736
D807,453 S *	1/2018	Serrano .....	D21/743
D815,222 S *	4/2018	Serrano .....	D21/743
D832,381 S *	10/2018	Serrano .....	D21/743
D844,722 S *	4/2019	Wang .....	D21/736
D860,356 S *	9/2019	Rollinson .....	D21/744
D882,006 S *	4/2020	Serrano .....	D21/736
D892,954 S *	8/2020	Clarke .....	D21/736
D893,645 S *	8/2020	Serrano .....	D21/743
D895,748 S *	9/2020	Rollinson .....	D21/743
D910,789 S *	2/2021	Schweigert .....	D21/736
D912,174 S *	3/2021	Toulon .....	D21/743

(Continued)

**OTHER PUBLICATIONS**

Golf putters google search; google.com; Dec. 8, 2022.\*  
Odyssey golf putters; callawaygolf.com; Dec. 8, 2022.\*

*Primary Examiner* — Mitchell I. Siegel

(74) *Attorney, Agent, or Firm* — Michael A. Catania;  
Rebecca Hanovice; Sonia Lari

(57) **CLAIM**

The ornamental design for a putter head, as shown and described.

**DESCRIPTION**

FIG. 1 is a rear perspective view of the putter head claimed herein;

FIG. 2 is a front elevational view thereof;

FIG. 3 is a rear elevational view thereof;

FIG. 4 is a left side elevational view thereof;

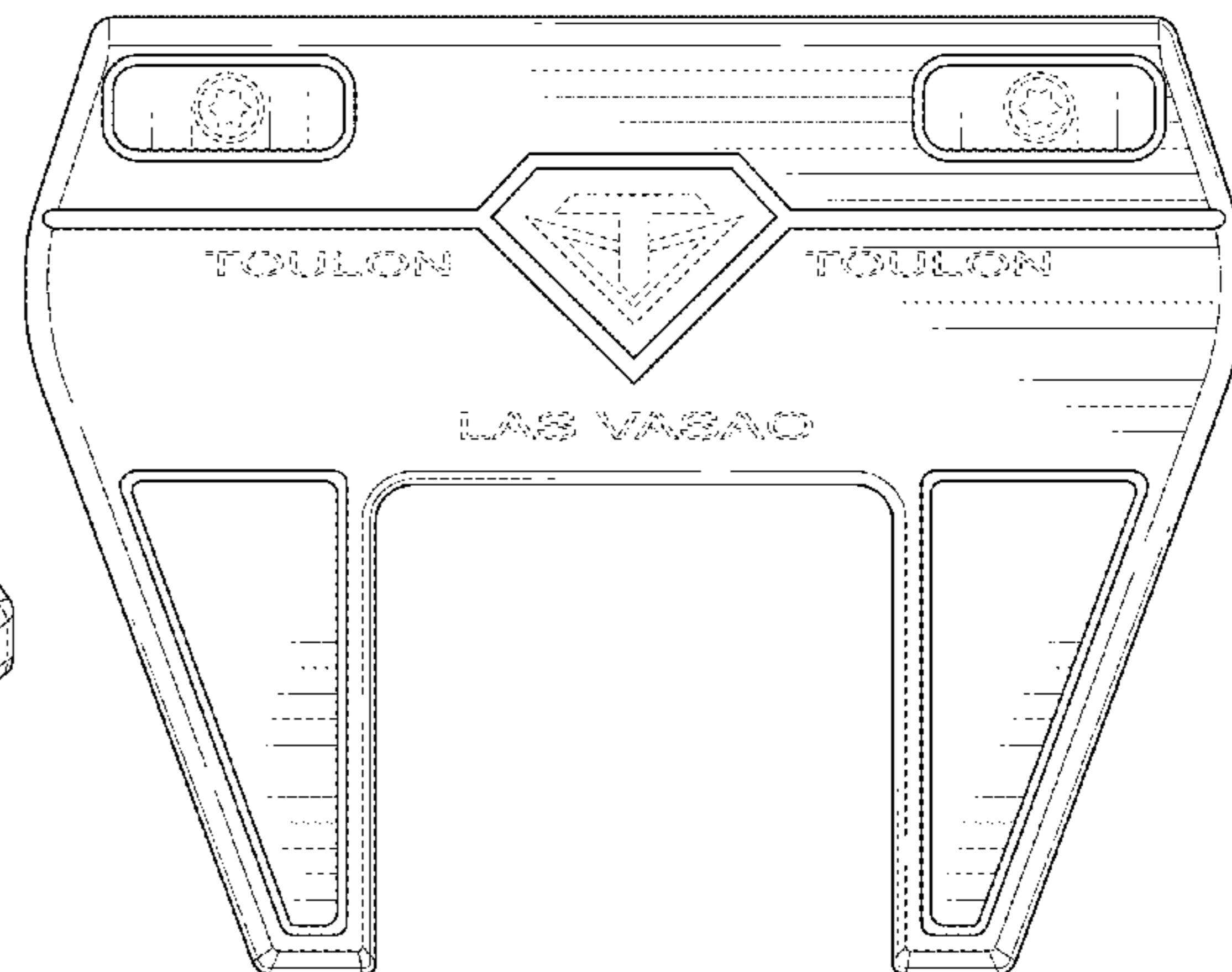
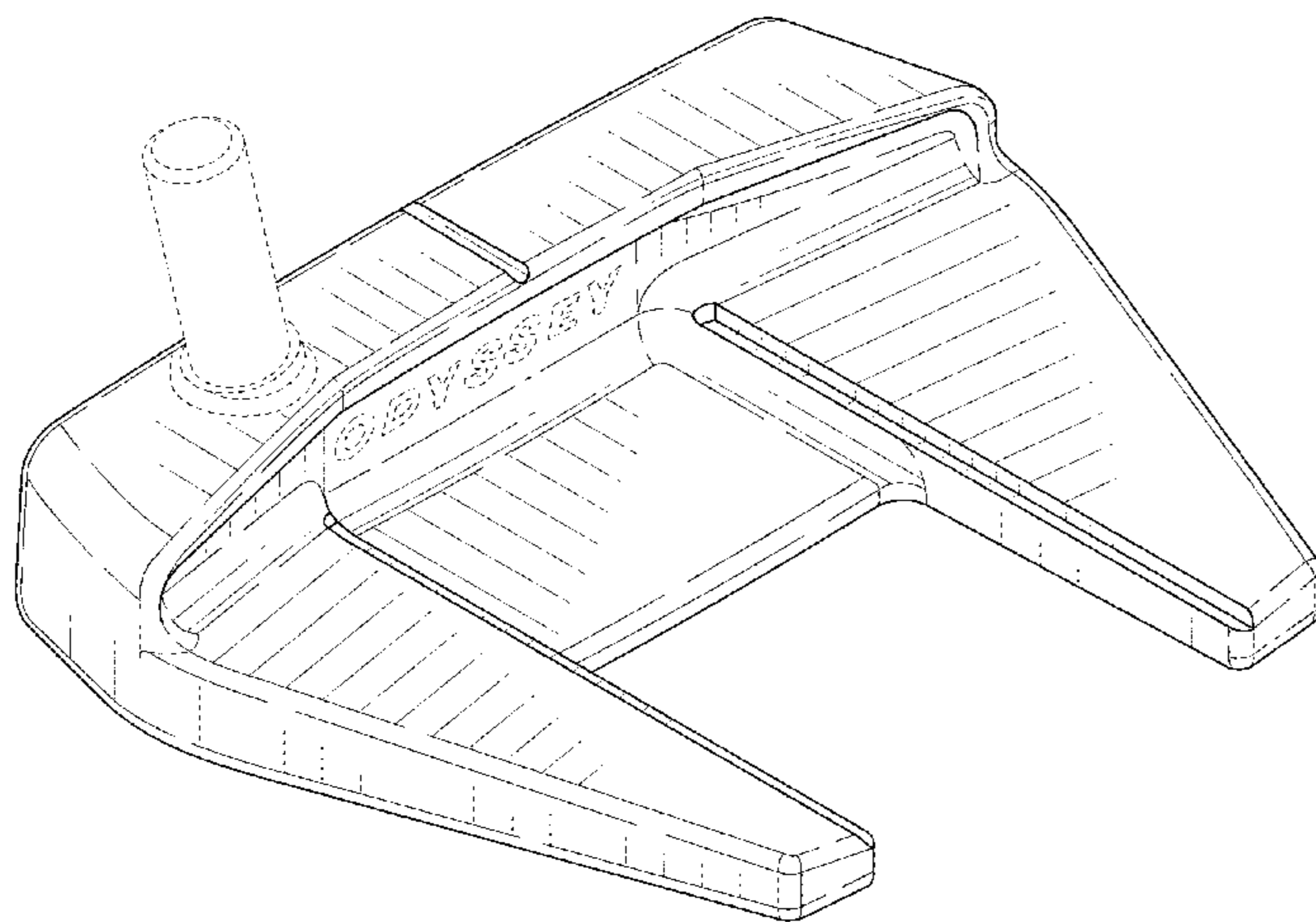
FIG. 5 is a right side elevational view thereof;

FIG. 6 is a top plan view thereof; and,

FIG. 7 is a bottom plan view thereof.

The broken lines shown form no part of the claimed design.

**1 Claim, 5 Drawing Sheets**



(56)

**References Cited**

U.S. PATENT DOCUMENTS

D921,140 S	*	6/2021	Serrano .....	D21/736
D930,095 S	*	9/2021	Wang .....	D21/743
D936,770 S	*	11/2021	Cameron .....	D21/744
D952,081 S	*	5/2022	Kirtley .....	D21/736
D959,584 S	*	8/2022	Toulon .....	D21/746

\* cited by examiner

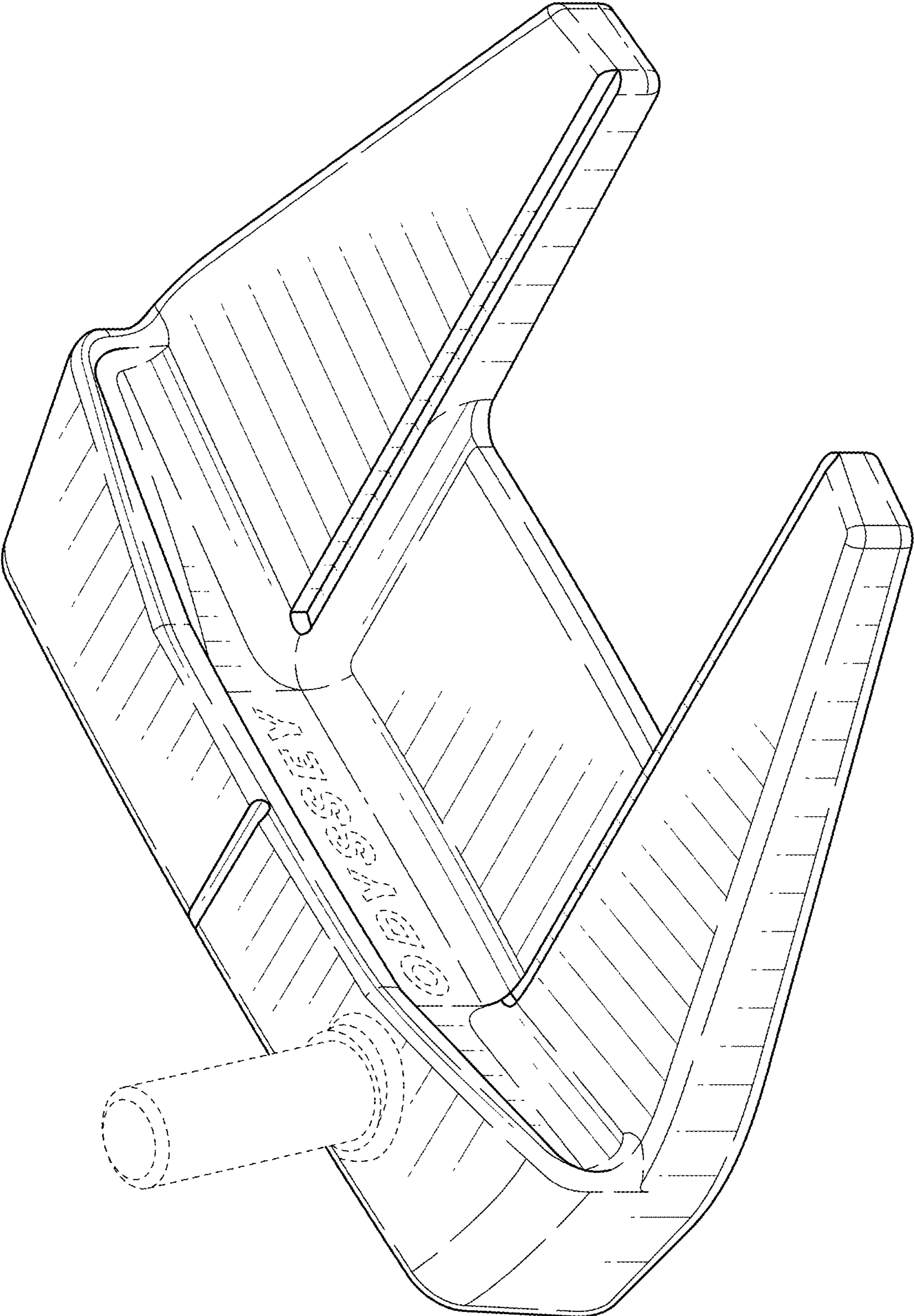


FIG. 1

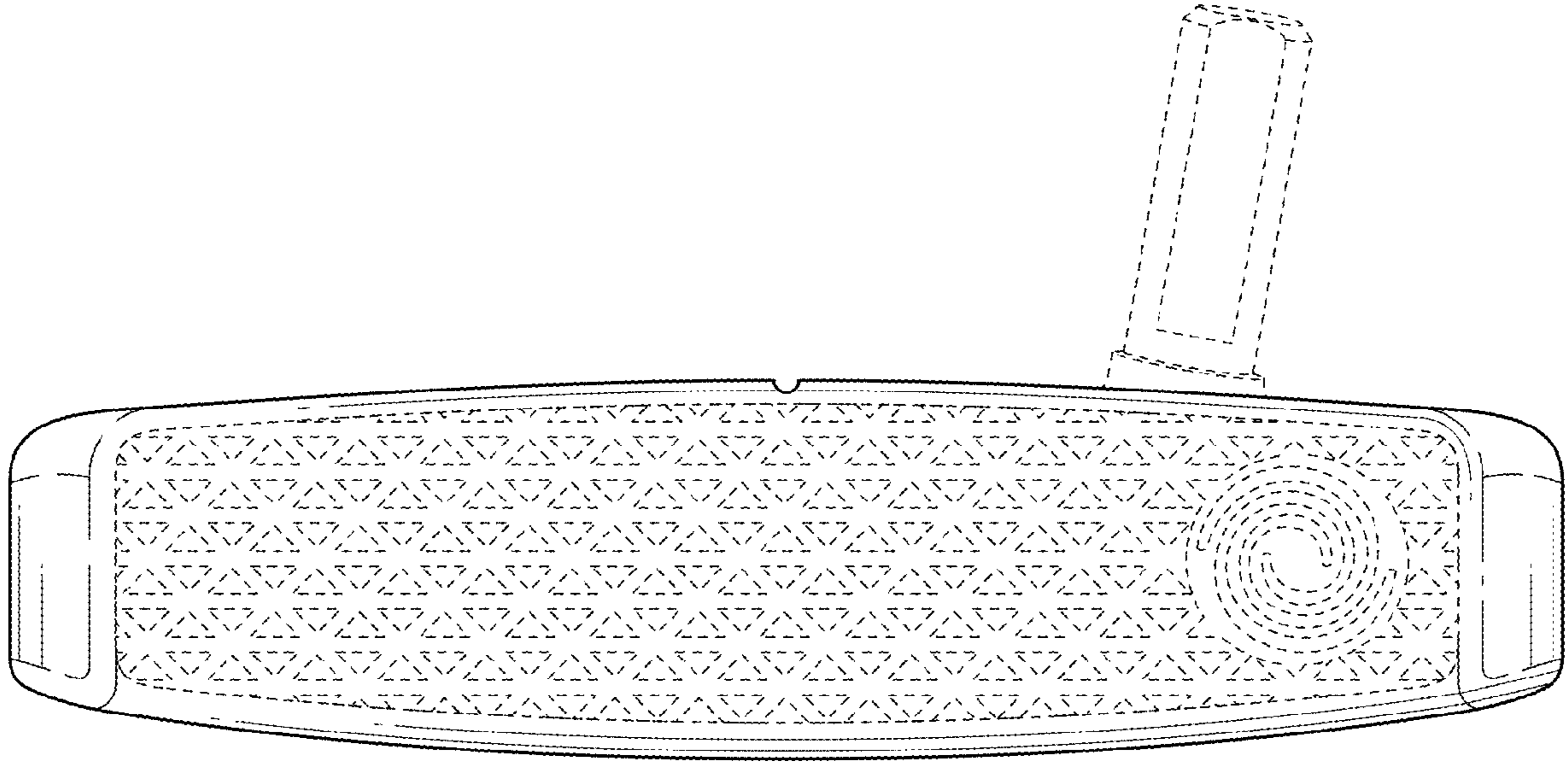


FIG. 2

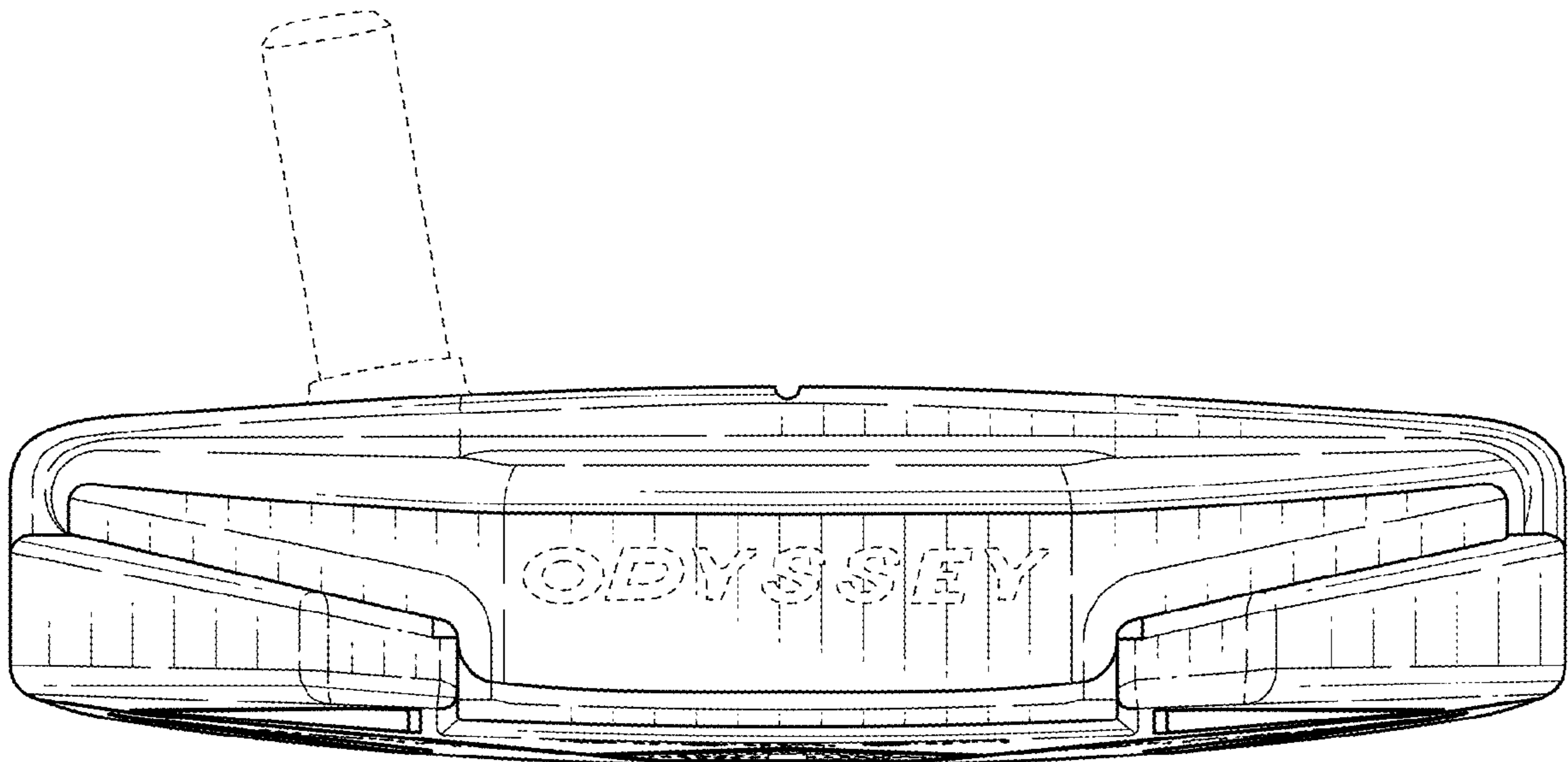


FIG. 3

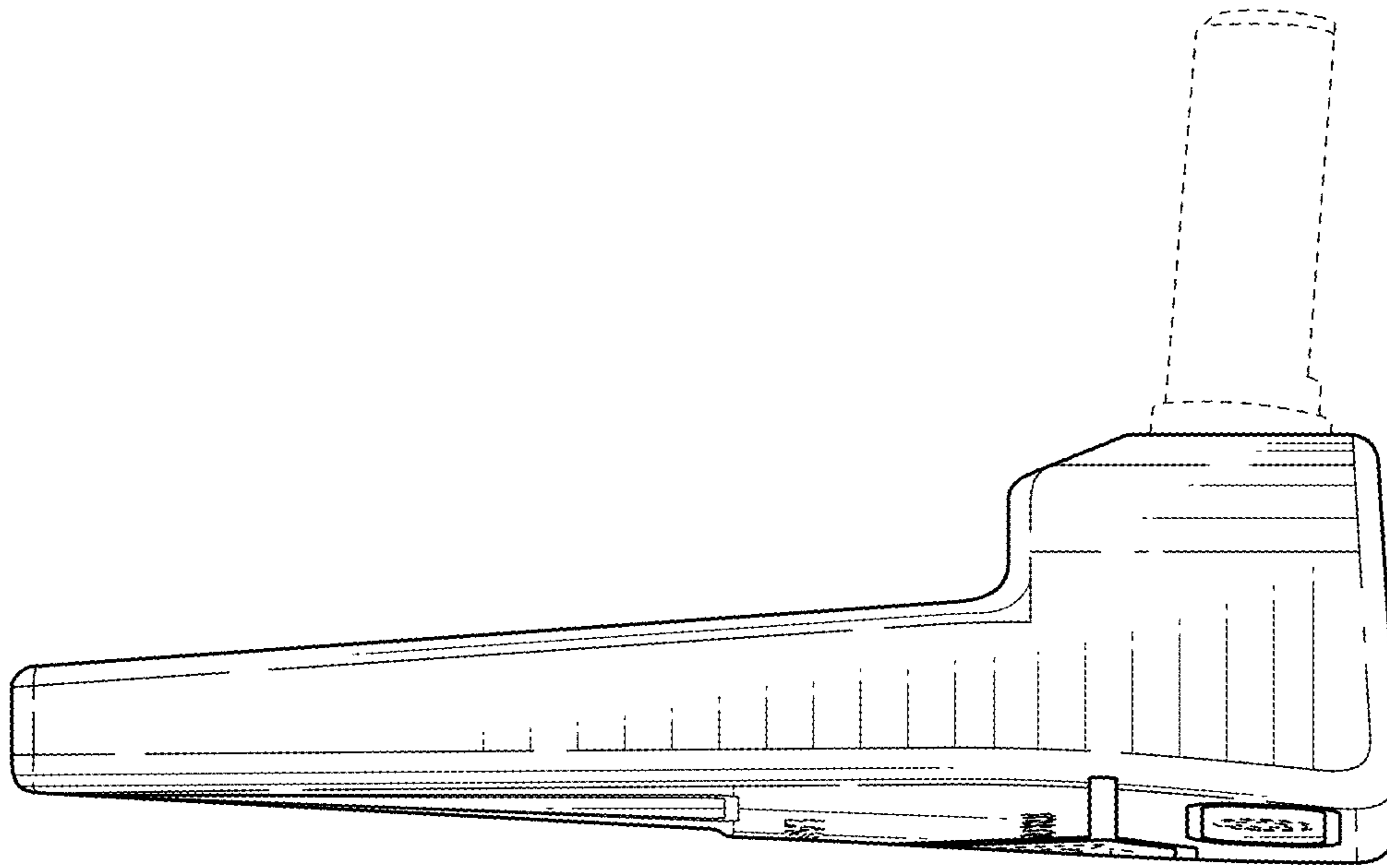


FIG. 4

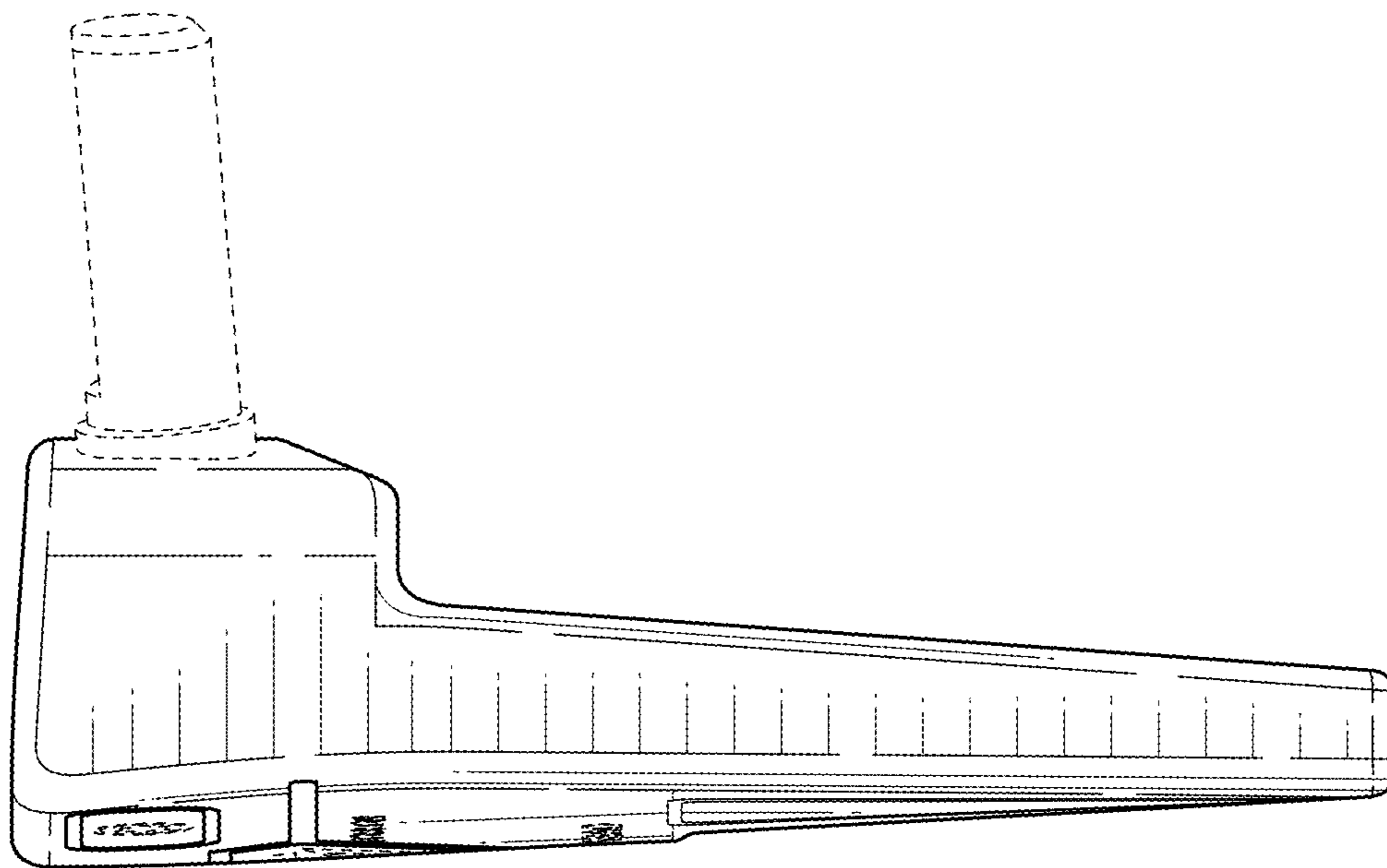


FIG. 5

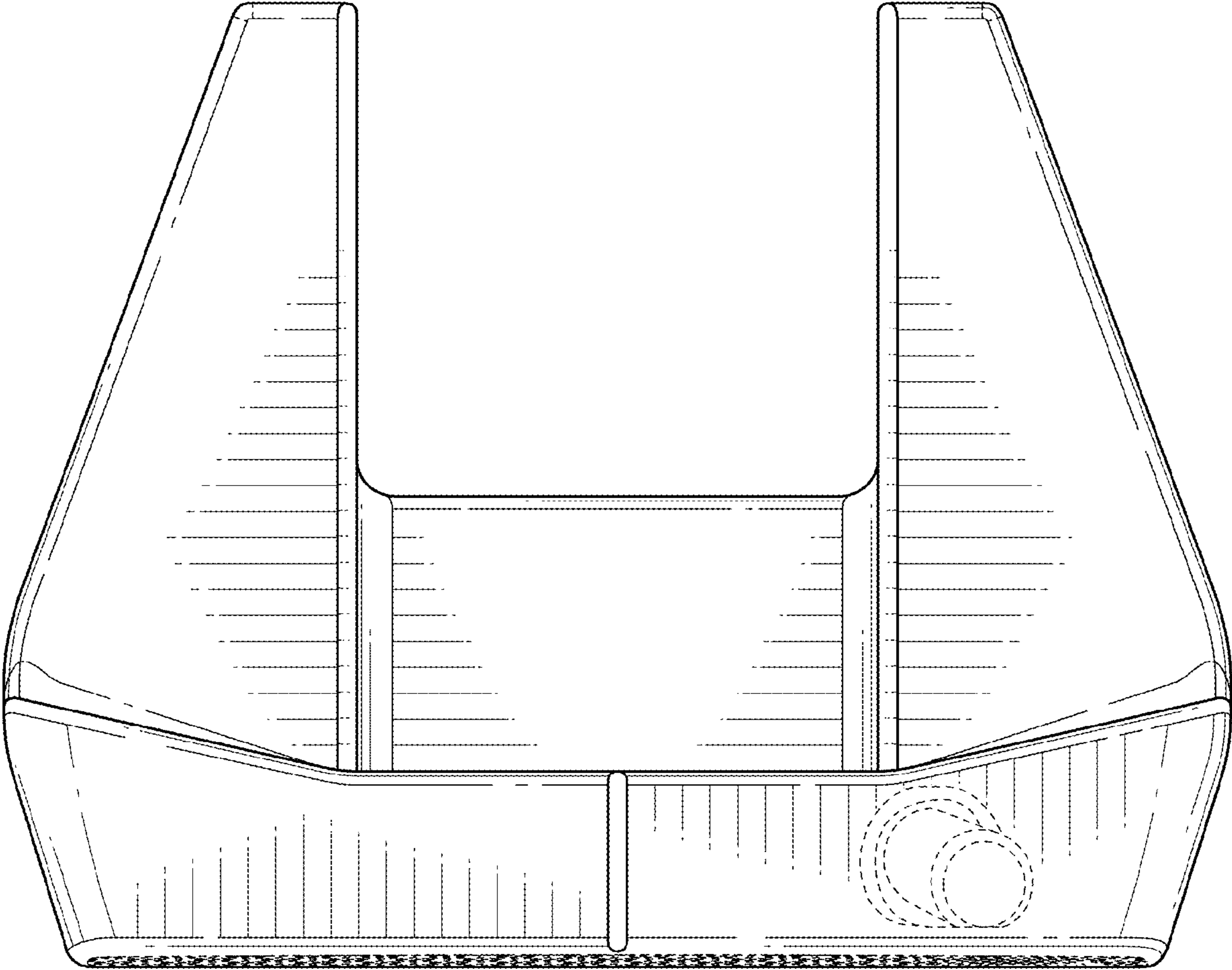


FIG. 6

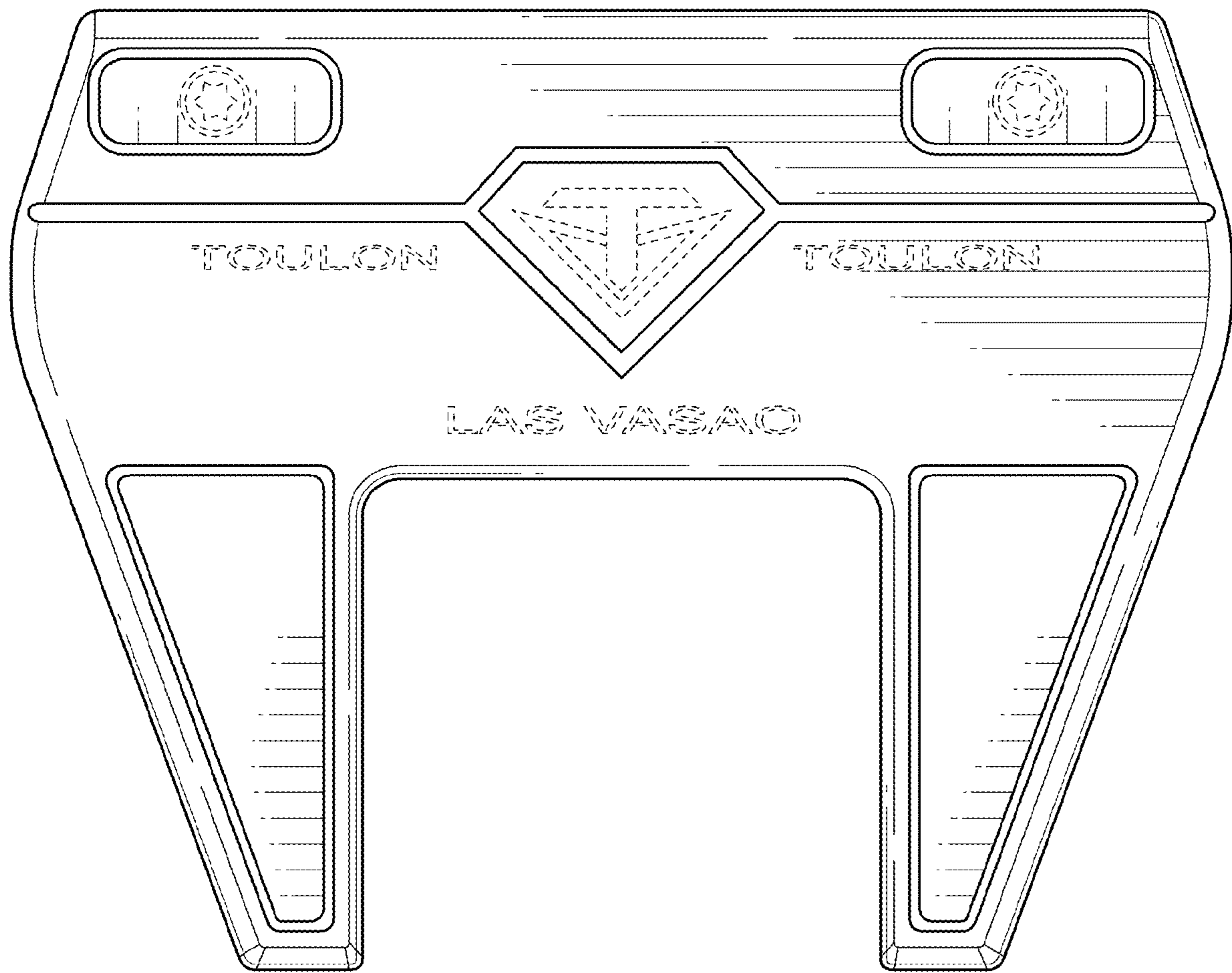


FIG. 7