



US00D983288S

(12) **United States Design Patent** (10) **Patent No.:** **US D983,288 S**  
**Zhao** (45) **Date of Patent:** **\*\* Apr. 11, 2023**

(54) **WEIGHT BENCH**  
(71) Applicant: **Liyong Zhao**, Xinzhou (CN)  
(72) Inventor: **Liyong Zhao**, Xinzhou (CN)  
(\*\*) Term: **15 Years**  
(21) Appl. No.: **29/784,090**  
(22) Filed: **May 18, 2021**  
(51) **LOC (14) Cl.** ..... **21-02**  
(52) **U.S. Cl.**  
USPC ..... **D21/690**  
(58) **Field of Classification Search**  
USPC ..... D6/334, 342, 349, 352, 353, 354, 373,  
D6/377, 652.2, 653, 657, 659, 668, 668.2,  
D6/671.1, 675, 684, 705.1; D21/662,  
D21/673, 676, 686, 687, 690, 695  
CPC ..... A47C 11/00; A47C 3/18; A47C 15/004;  
A47C 31/113; A47C 3/40; A47C 7/006;  
A47C 7/748; A47C 11/005; A47C 13/00;  
A47C 16/04; A47C 17/165; A47B 39/00  
See application file for complete search history.

2019/0151699 A1\* 5/2019 Isom ..... A63B 21/00061  
2022/0176190 A1\* 6/2022 Pena ..... A63B 22/0235  
2022/0219037 A1\* 7/2022 Ho ..... A63B 21/4029

FOREIGN PATENT DOCUMENTS

GB 6116959 \* 2/2021

OTHER PUBLICATIONS

“Yoleo Adjustable Weight Bench,” Dec. 25, 2018, Amazon, site visited Nov. 15, 2022: <https://amzn.to/3UZAif4> (Year: 2018).\*  
“Youten 1000 LB Weight Bench” Aug. 2, 2019, Amazon, site visited Nov. 15, 2022: <https://amzn.to/3UJYOk0> (Year: 2019).\*  
“Lusper Adjustable Weight Bench” Jun. 23, 2022, Amazon, site visited Nov. 15, 2022: <https://amzn.to/3OaHkew> (Year: 2022).\*

\* cited by examiner

*Primary Examiner* — Jack Reickel  
*Assistant Examiner* — Salamah Jordan

(57) **CLAIM**

The ornamental design for a weight bench, as shown and described.

(56) **References Cited**

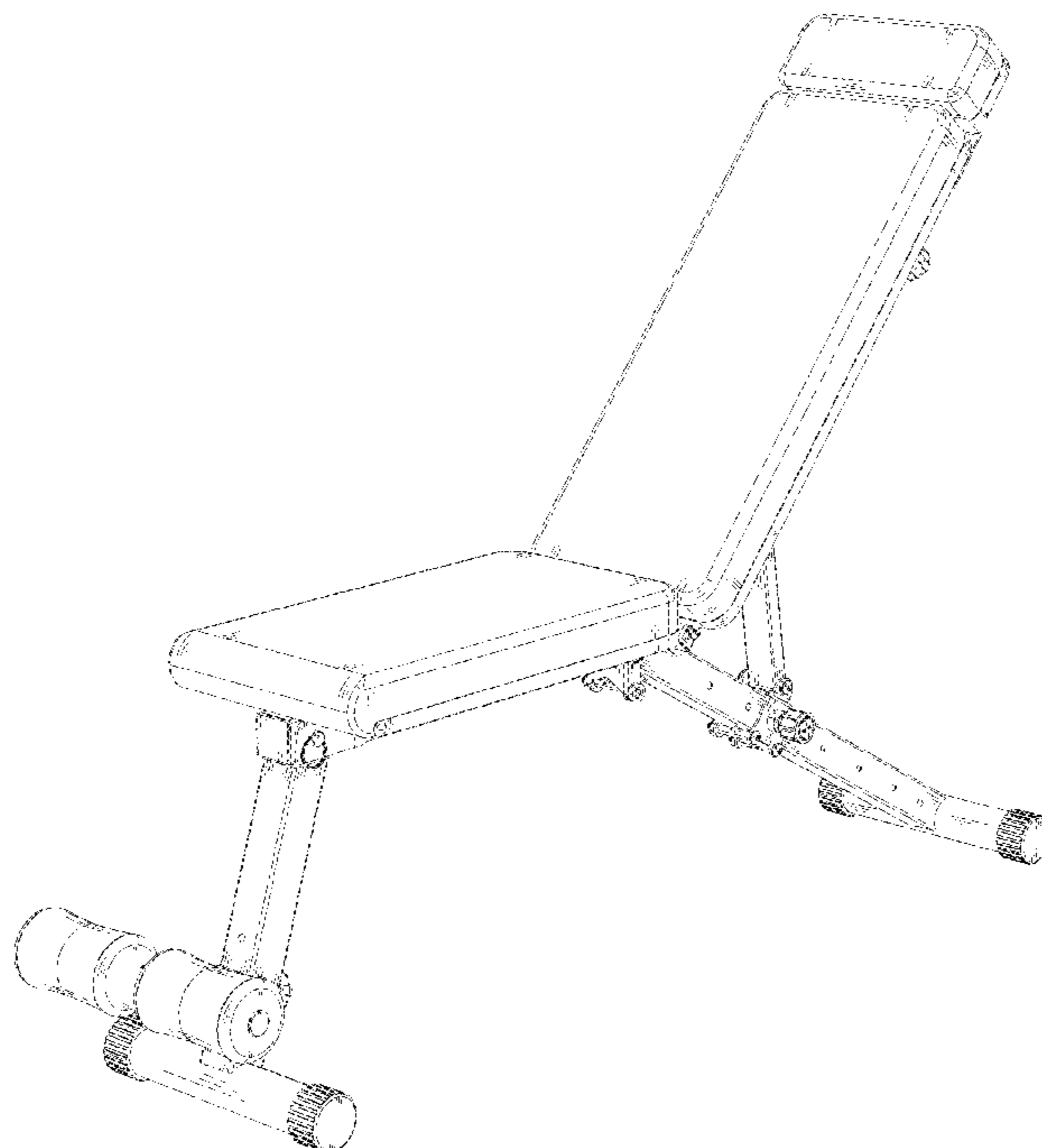
U.S. PATENT DOCUMENTS

D262,810 S \* 1/1982 Lynn ..... D21/676  
7,695,418 B2 \* 4/2010 Ish, III ..... A63B 23/00  
D820,362 S \* 6/2018 Citterio ..... D21/687  
D829,013 S \* 9/2018 Velez ..... D6/381  
D939,033 S \* 12/2021 McGrotty ..... D21/690  
D942,566 S \* 2/2022 Pritchett ..... D21/690  
D943,688 S \* 2/2022 Lu ..... D21/686  
D944,905 S \* 3/2022 Wang ..... D21/690  
2015/0328494 A1\* 11/2015 Matthews ..... A63B 21/4029  
2016/0114204 A1\* 4/2016 Swanson ..... A63B 21/4029  
2018/0296874 A1\* 10/2018 Vorozilchak ..... A63B 24/0087

**DESCRIPTION**

FIG. 1 is a perspective view of a weight bench showing my new design;  
FIG. 2 is a front elevational view thereof;  
FIG. 3 is a rear elevational view thereof;  
FIG. 4 is a left side elevational view thereof;  
FIG. 5 is a right side elevational view thereof;  
FIG. 6 is a top plan view thereof; and,  
FIG. 7 is a bottom plan view thereof.

**1 Claim, 7 Drawing Sheets**



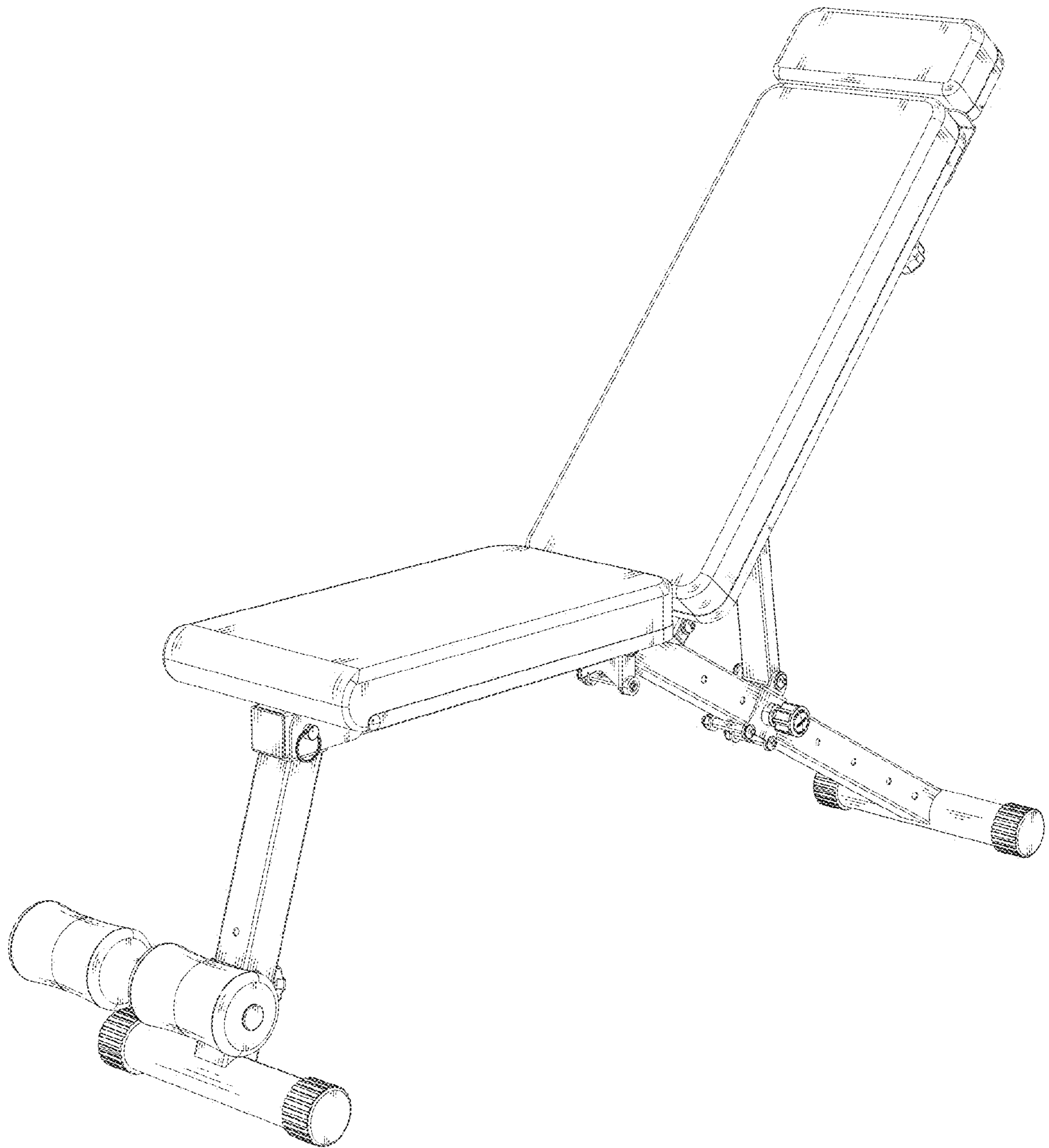


FIG. 1

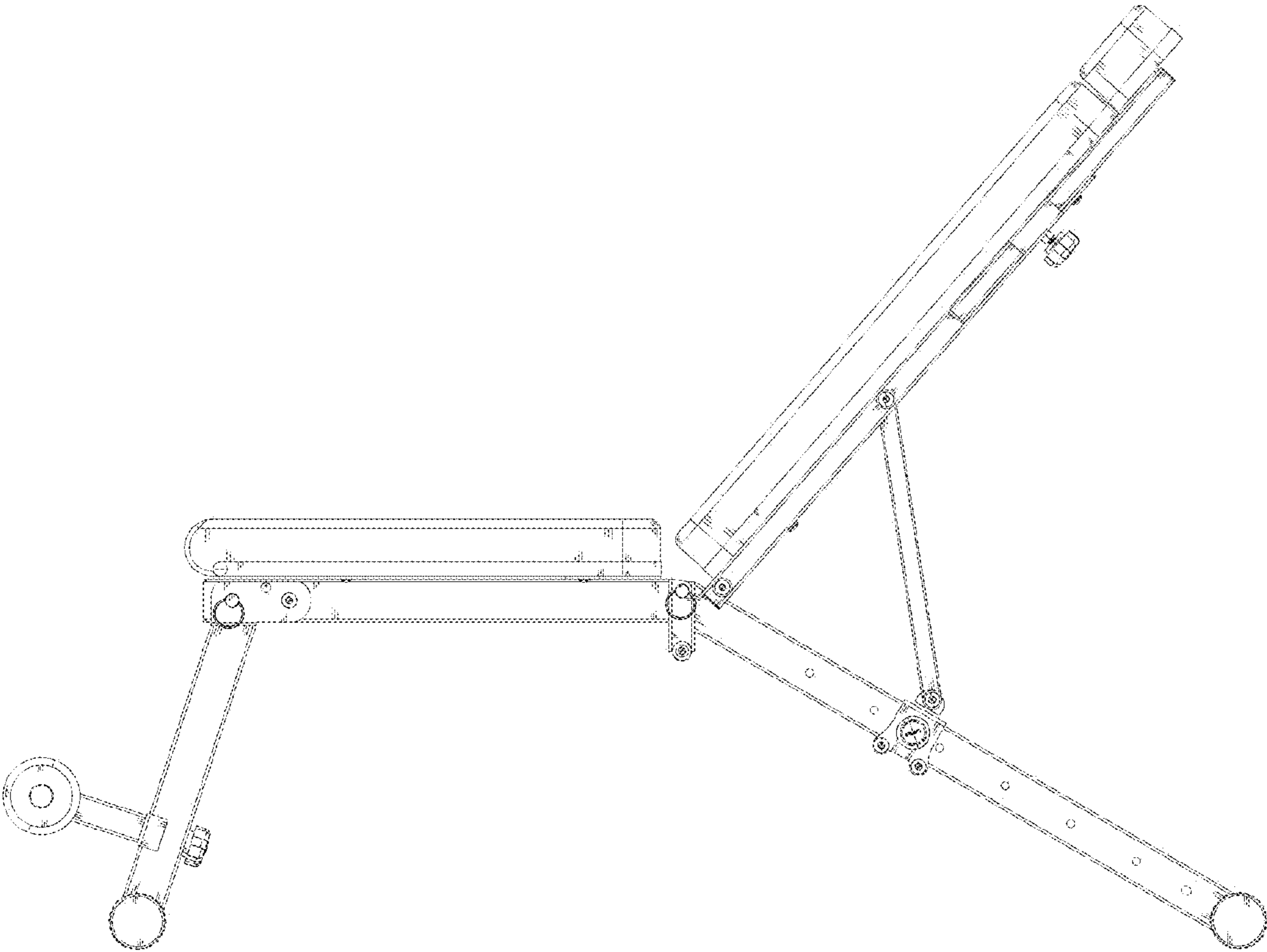


FIG. 2

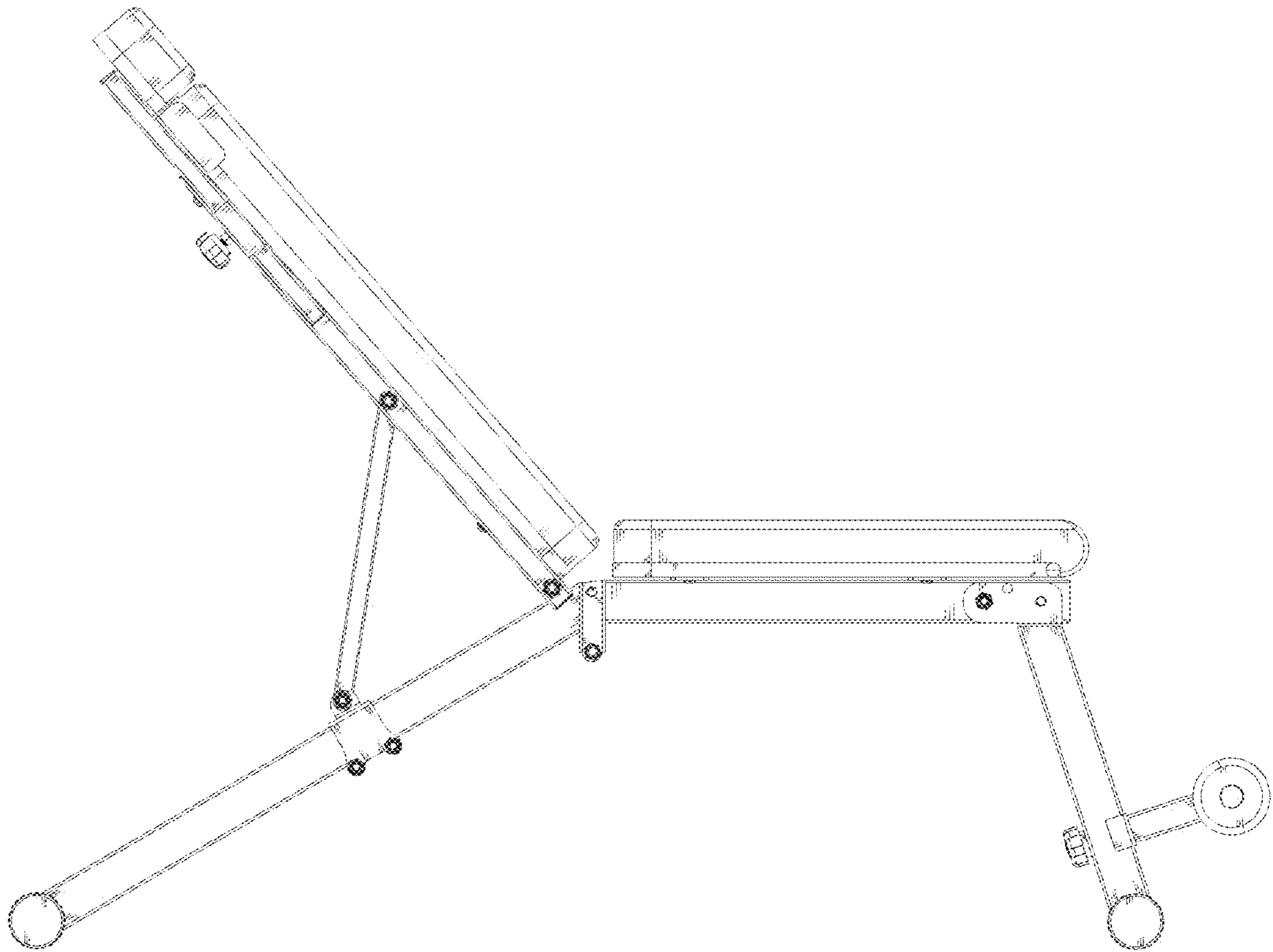


FIG. 3

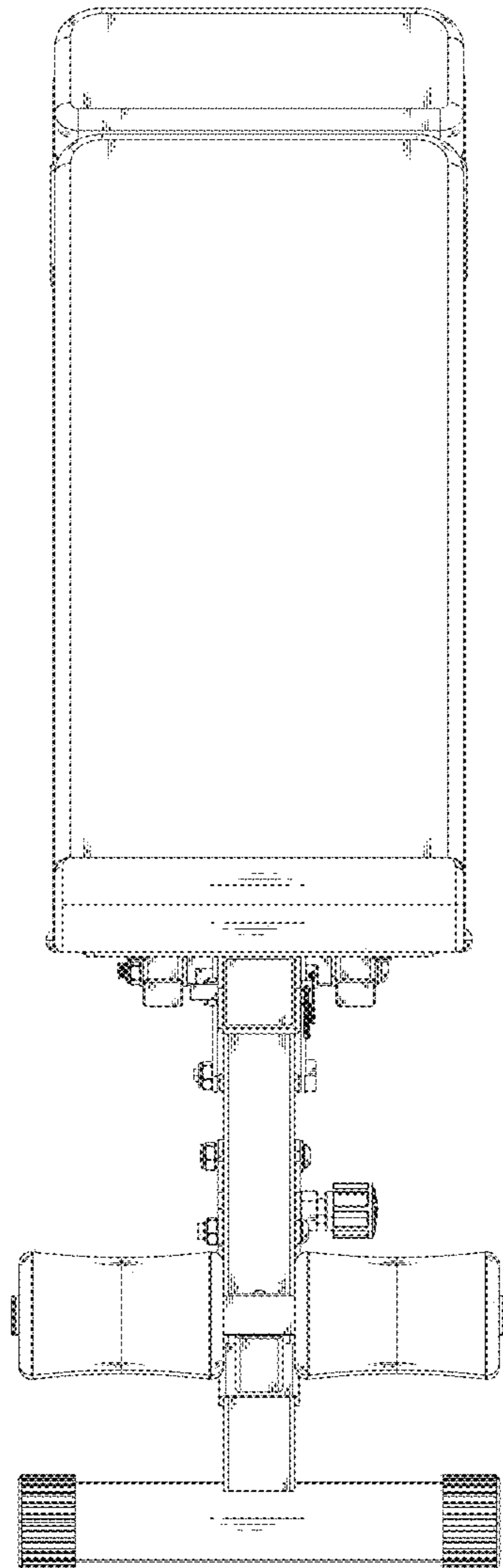


FIG. 4



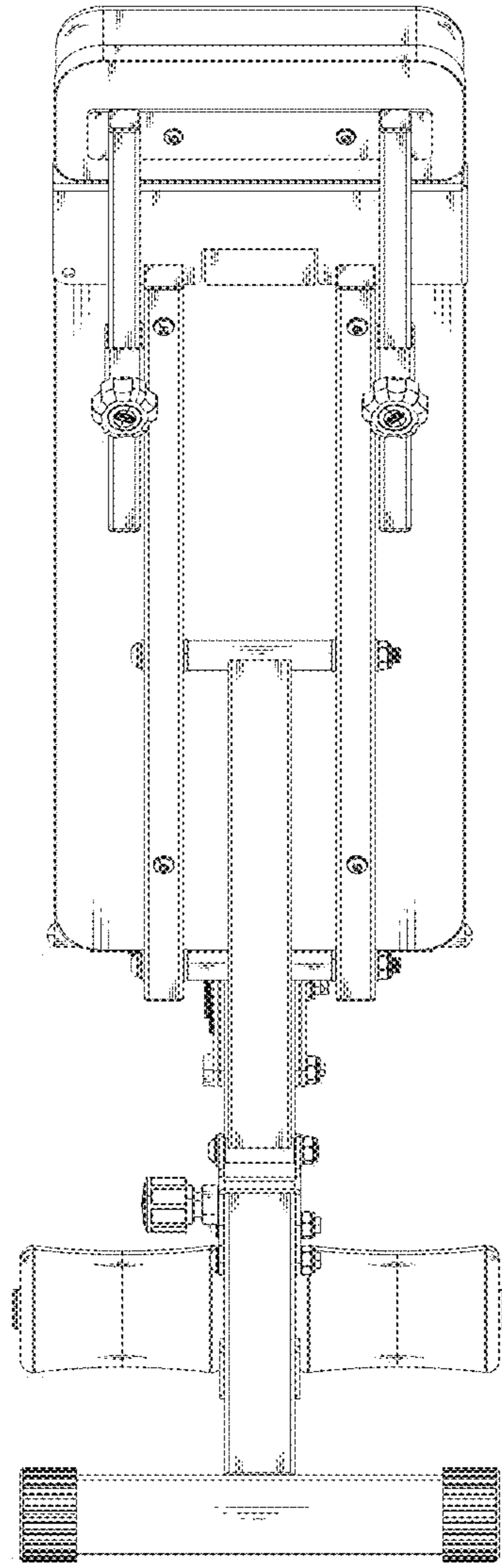


FIG. 5

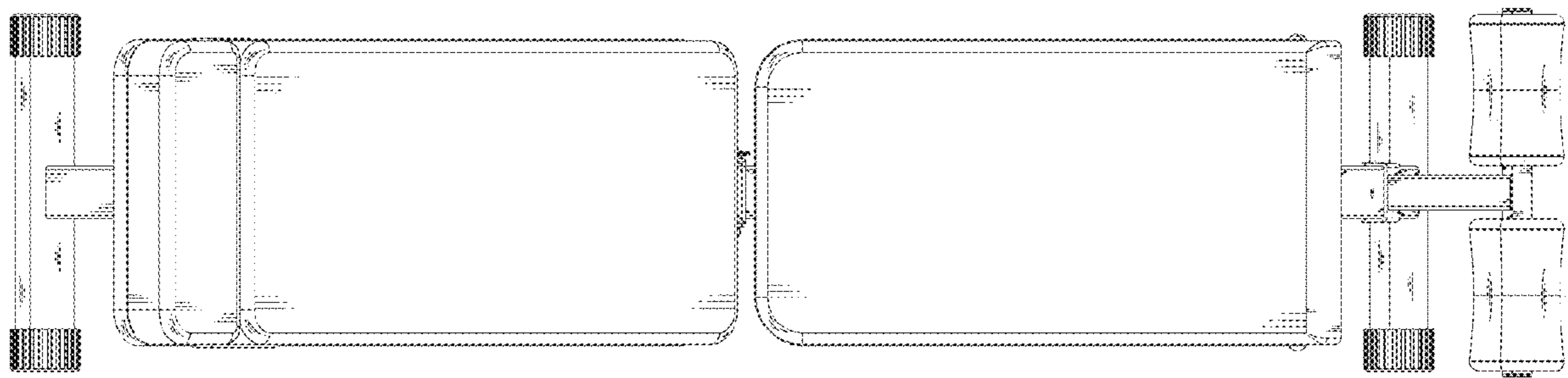


FIG. 6

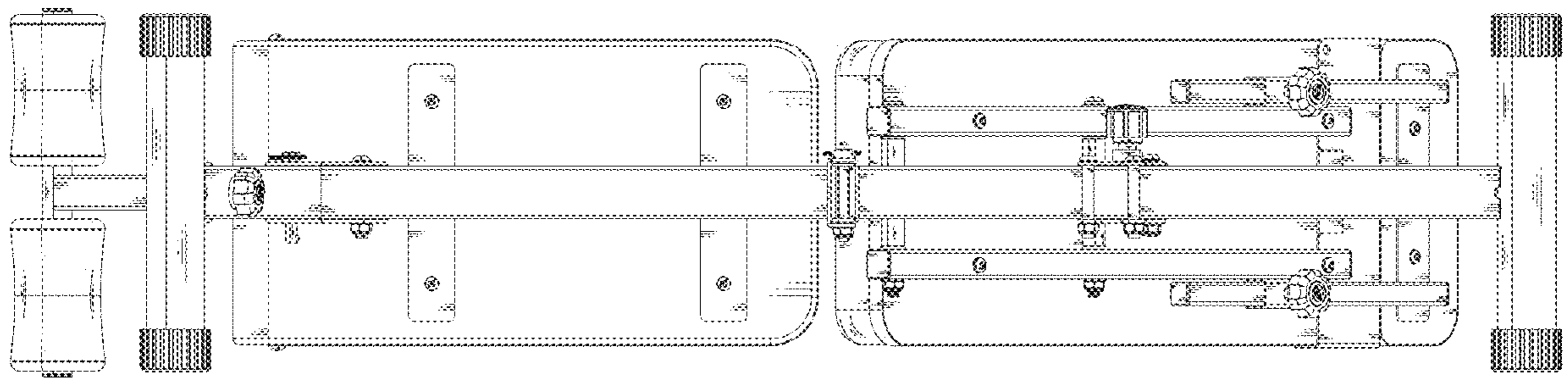


FIG. 7