



US00D983287S

(12) **United States Design Patent** (10) **Patent No.:** **US D983,287 S**
Li (45) **Date of Patent:** **** Apr. 11, 2023**

- (54) **DUMBBELL BENCH**
- (71) Applicant: **Gangxuan Li**, Yongkang (CN)
- (72) Inventor: **Gangxuan Li**, Yongkang (CN)
- (**) Term: **15 Years**
- (21) Appl. No.: **29/747,053**
- (22) Filed: **Aug. 19, 2020**
- (51) **LOC (14) Cl.** **21-02**
- (52) **U.S. Cl.**
USPC **D21/690**
- (58) **Field of Classification Search**
USPC D6/334, 342, 349, 352, 353, 354, 373,
D6/377, 652.2, 653, 657, 659, 668, 668.2,
D6/671.1, 675, 684, 705.1; D21/662,
D21/673, 676, 686, 687, 690, 695
CPC A47C 11/00; A47C 3/18; A47C 15/004;
A47C 31/113; A47C 3/40; A47C 7/006;
A47C 7/748; A47C 11/005; A47C 13/00;
A47C 16/04; A47C 17/165; A47B 39/00
See application file for complete search history.

(56) **References Cited**

U.S. PATENT DOCUMENTS

- D262,810 S * 1/1982 Lynn D21/676
- 7,695,418 B2 * 4/2010 Ish, III A63B 23/00
- D820,362 S * 6/2018 Citterio D21/687
- D829,013 S * 9/2018 Velez D6/381
- D931,628 S * 9/2021 Berlinches D6/333
- D939,033 S * 12/2021 McGrotty D21/690
- D942,566 S * 2/2022 Pritchett D21/690
- D943,688 S * 2/2022 Lu D21/686
- D944,905 S * 3/2022 Wang D21/690
- 2015/0328494 A1 * 11/2015 Matthews A63B 21/4029
- 2016/0114204 A1 * 4/2016 Swanson A63B 21/4029
- 2018/0296874 A1 * 10/2018 Vorozilchak A63B 24/0087
- 2019/0151699 A1 * 5/2019 Isom A63B 21/00061

- 2022/0176190 A1 * 6/2022 Pena A63B 22/0235
- 2022/0219037 A1 * 7/2022 Ho A63B 21/4029
- 2022/0366758 A1 * 11/2022 Schoonmaker G07F 17/3223

OTHER PUBLICATIONS

- “Lusper Adjustable Weight Bench” Jun. 23, 2022, Amazon, site visited Nov. 22, 2022: <https://amzn.to/3Xkws25> (Year: 2022).*
- “Melupa Adjustable Weight Bench” Apr. 6, 2022, Amazon, site visited Nov. 22, 2022: <https://amzn.to/3U5wsjw> (Year: 2022).*
- “Car Seat Cushion ,” Oct. 4, 2022, Amazon, site visited Nov. 22, 2022: <https://amzn.to/3V0Yw8W> (Year: 2022).*
- “Premium Universal Car Seat Cushions” Oct. 9, 2016, Walmart, site visited Nov. 22, 2022: <https://bit.ly/3i91tpi> (Year: 2016).*
- “Rep Fitness Adjustable Bench” Jun. 1, 2015, Amazon, site visited Nov. 23, 2022: <https://amzn.to/3Oyzh1J> (Year: 2015).*
- “XMark Weight Bench” Sep. 20, 2018, Amazon, site visited Nov. 23, 2022: (Year: 2018).*

* cited by examiner

Primary Examiner — Jack Reickel
Assistant Examiner — Salamah Jordan
(74) *Attorney, Agent, or Firm* — Rumit R. Kanakia

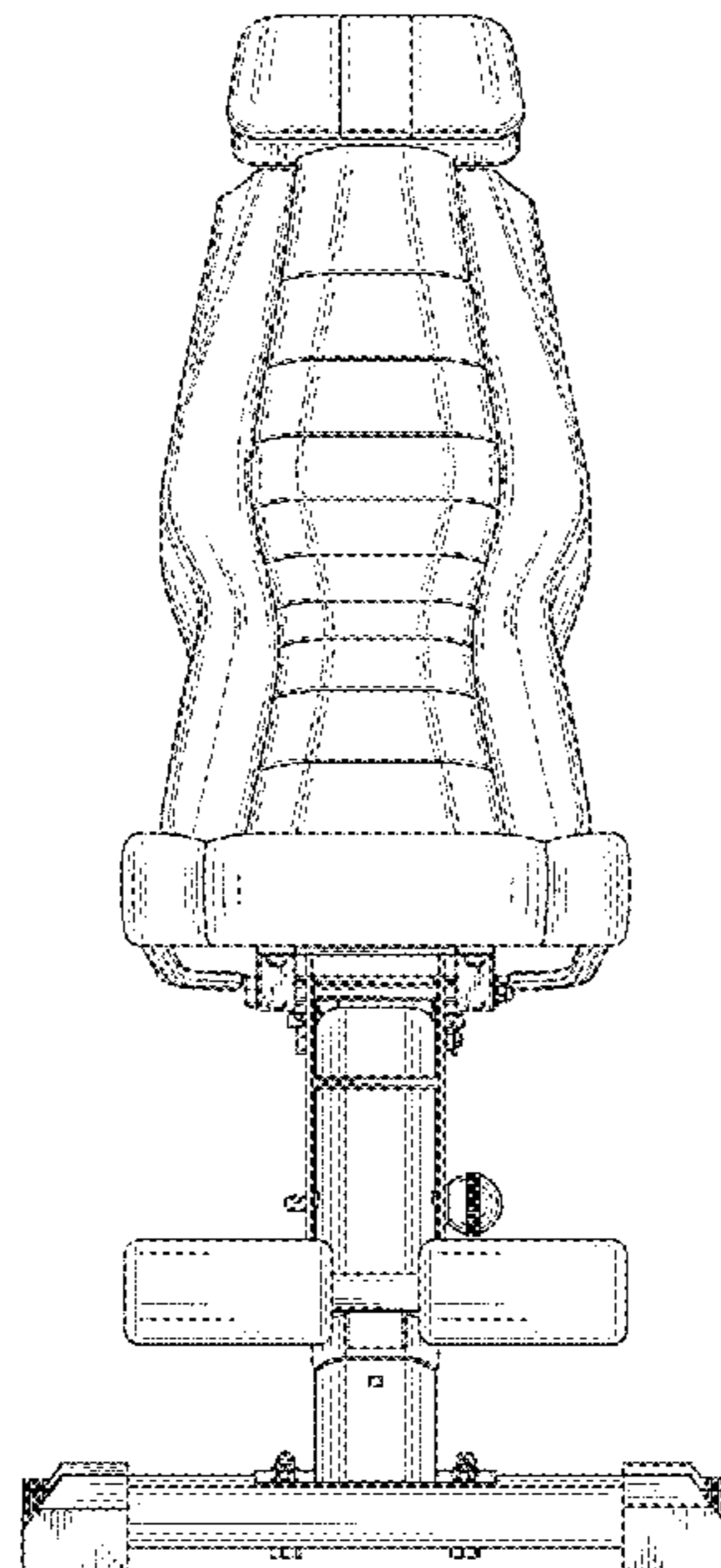
(57) **CLAIM**

The ornamental design for a dumbbell bench, as shown and described.

DESCRIPTION

FIG. 1 is a front elevational view of a dumbbell bench showing my new design;
FIG. 2 is a rear elevational view thereof;
FIG. 3 is a left side view thereof;
FIG. 4 is a right side view thereof;
FIG. 5 is a top plan view thereof;
FIG. 6 is a bottom plan view thereof; and,
FIG. 7 is a perspective view thereof.
The broken lines in the drawing depict portions of the dumbbell bench that form no part of the claimed design.

1 Claim, 7 Drawing Sheets



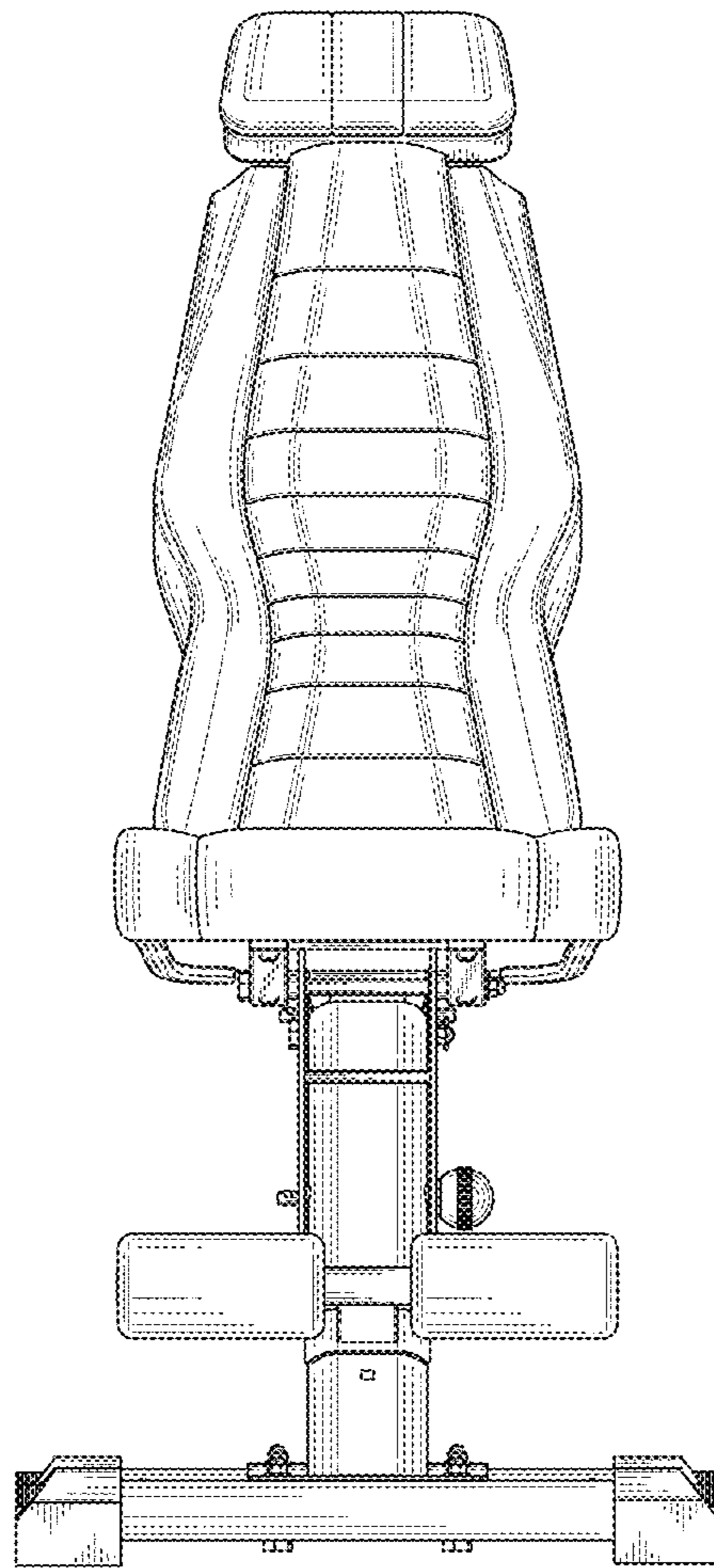


FIG. 1

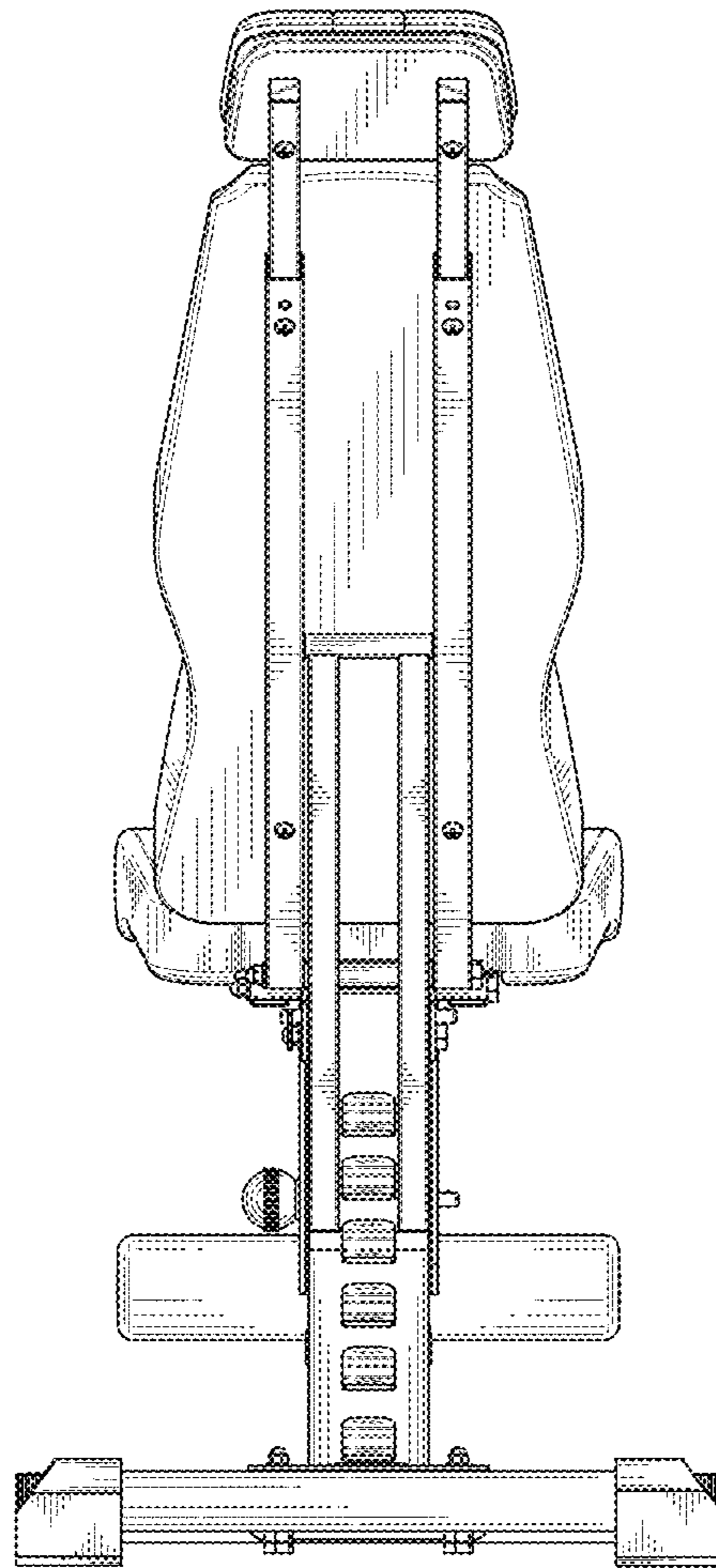


FIG. 2

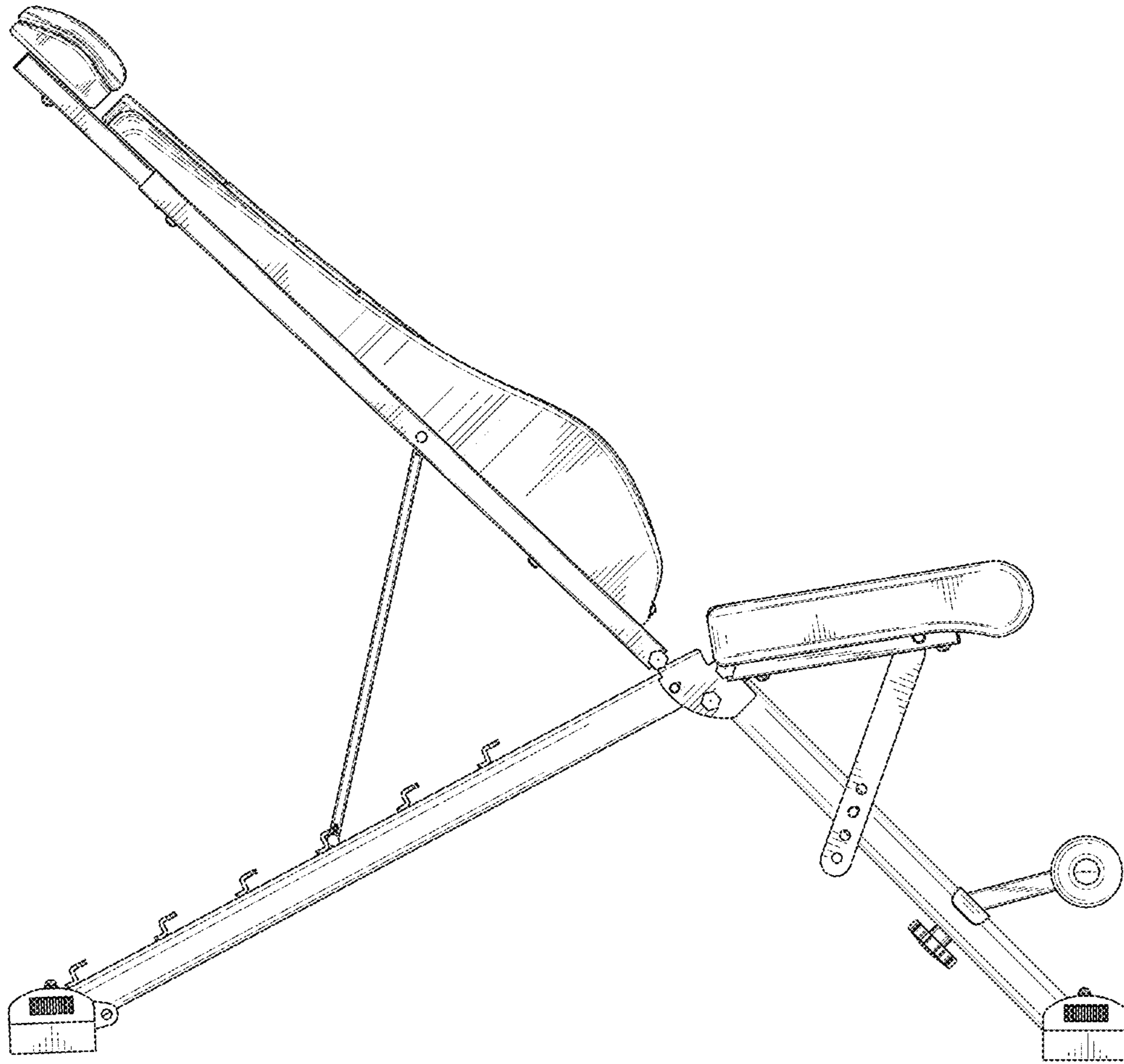


FIG. 3

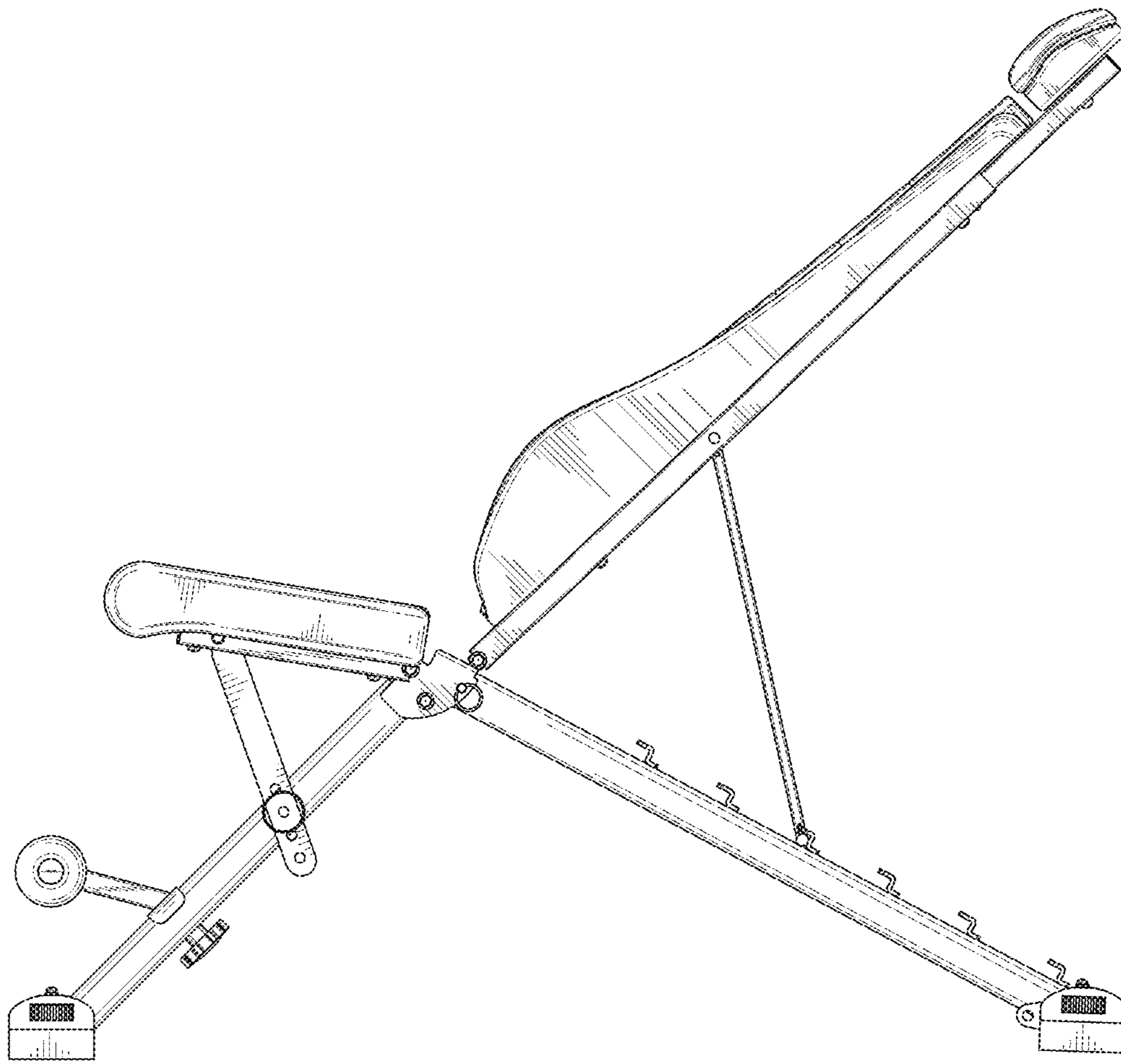


FIG. 4

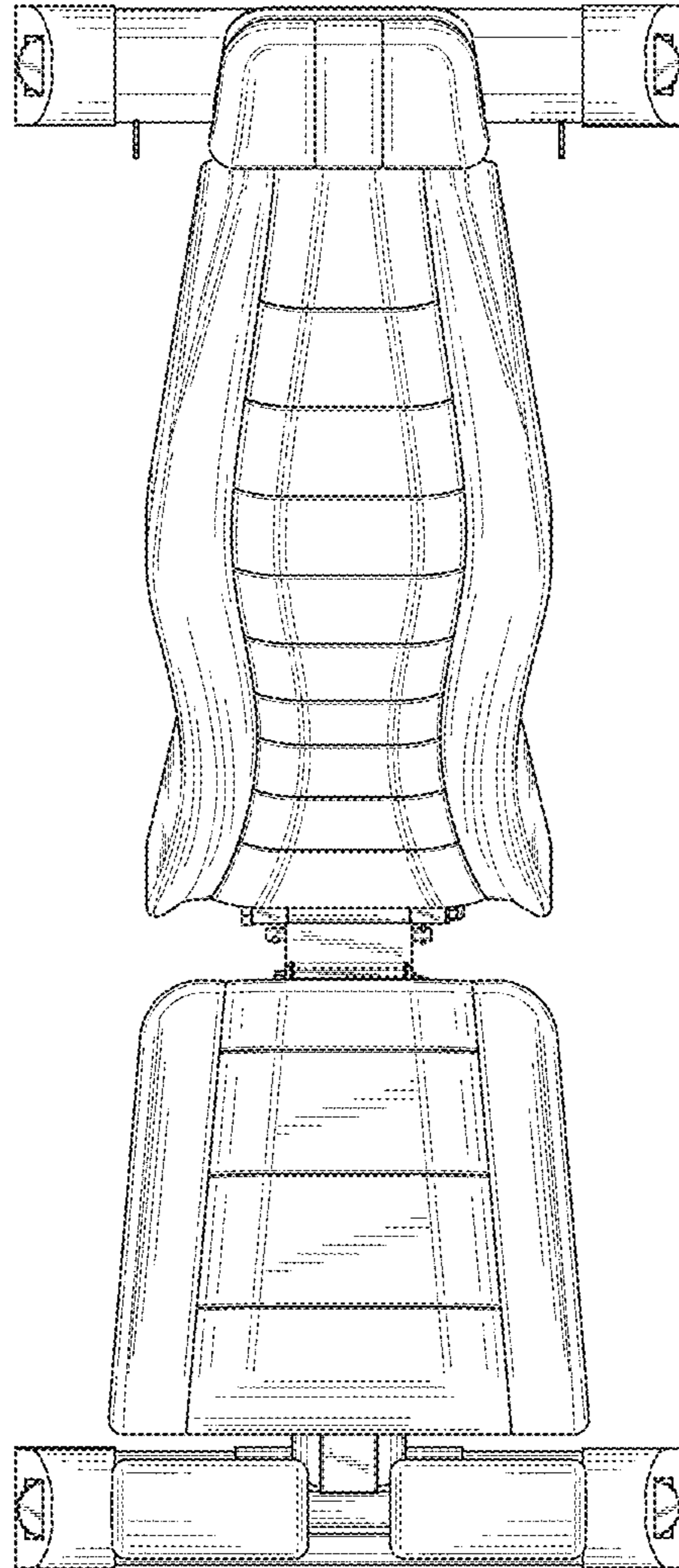


FIG. 5

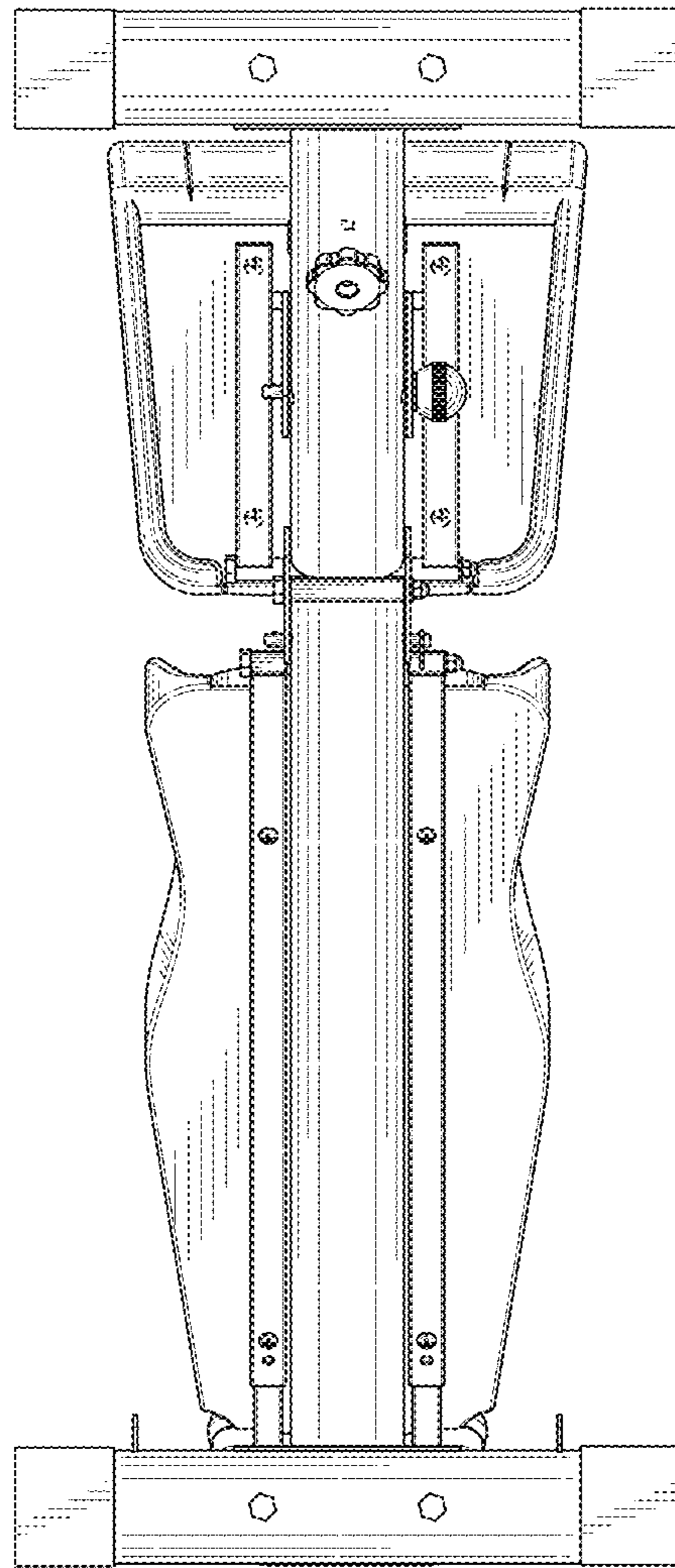


FIG. 6

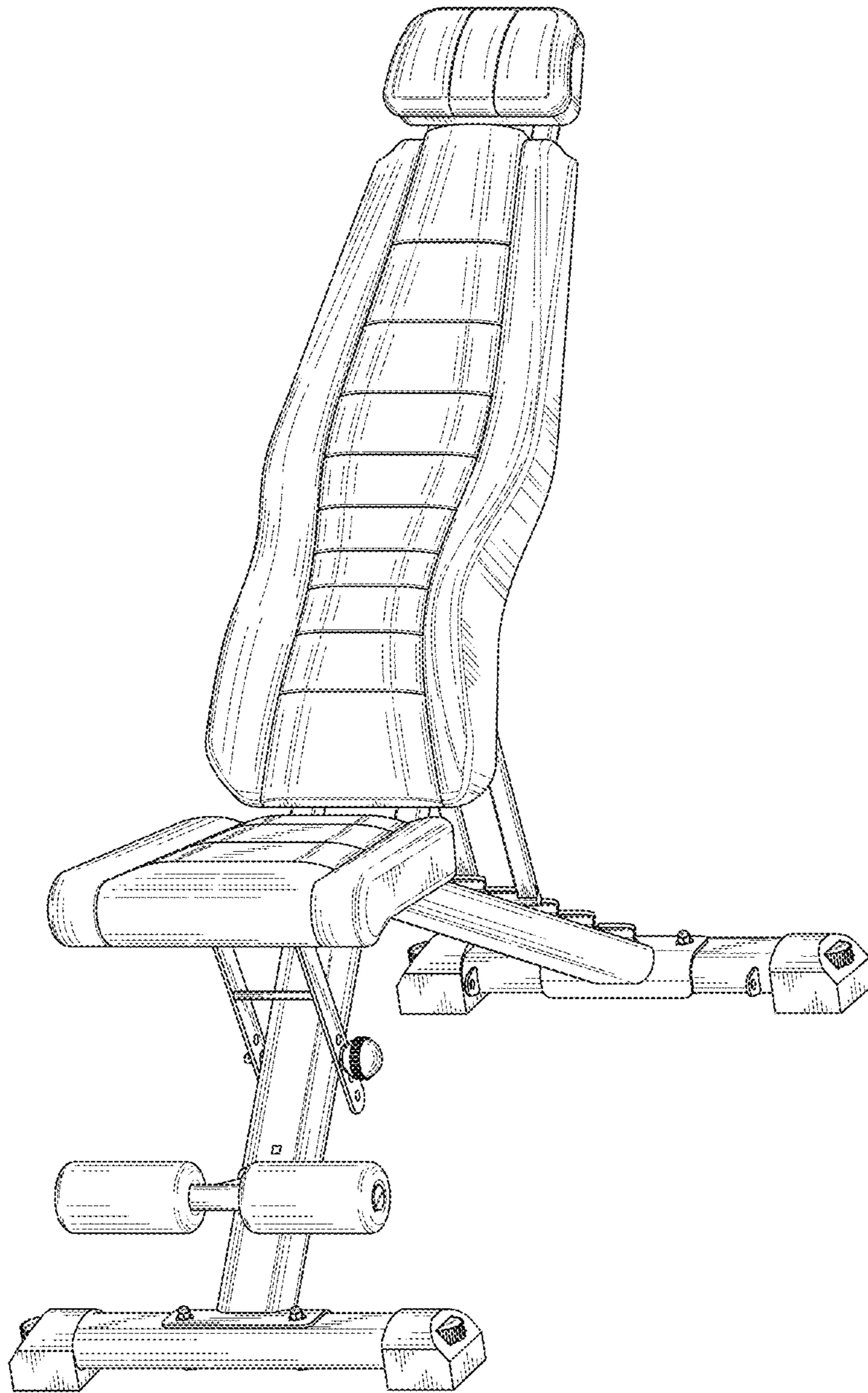


FIG. 7