



US00D983286S

(12) **United States Design Patent**
Morin et al.

(10) **Patent No.:** **US D983,286 S**
(45) **Date of Patent:** **** Apr. 11, 2023**

(54) **BOXING-BASED FITNESS PLATFORM**

(71) Applicant: **Liteboxer Technologies, LLC**, Merrill, NH (US)

(72) Inventors: **Jeffrey W. Morin**, Exeter, NH (US);
Arvin G. Abadilla, Carlsbad, CA (US)

(73) Assignee: **Liteboxer Technologies, Inc.**, Hampton, NH (US)

(**) Term: **15 Years**

(21) Appl. No.: **29/741,373**

(22) Filed: **Jul. 13, 2020**

(51) **LOC (14) Cl.** **21-02**

(52) **U.S. Cl.**
USPC **D21/686**

(58) **Field of Classification Search**
USPC D22/113, 114; D21/302, 306, 423, 662,
D21/676, 687, 686, 690, 691
CPC . F41J 9/02; F41J 9/16; F41J 1/00; F41J 1/10;
F41J 7/04; F41J 9/00; A63B 69/004;
A63B 69/20-26; A63B 69/32-325; A63B
69/00; A63B 21/015; A63B 69/0079
See application file for complete search history.

(56) **References Cited**

U.S. PATENT DOCUMENTS

7,329,210	B1 *	2/2008	Marano	A63B 69/004 482/83
D571,416	S *	6/2008	Wu	D21/662
D633,580	S *	3/2011	Wu	D21/662
D635,202	S *	3/2011	Chang	D21/662
D639,872	S *	6/2011	Chiang	D21/670
8,025,616	B1 *	9/2011	Hsu	A63B 22/14 482/146
D695,368	S *	12/2013	Blattmann	D21/662
D794,727	S *	8/2017	Ho	D21/689
9,731,163	B2 *	8/2017	Henson	A63B 22/18
D807,445	S *	1/2018	Gettle	D21/686

D830,482	S *	10/2018	Rasmussen	D21/686
D875,192	S *	2/2020	Ci	D21/686
D907,142	S *	1/2021	Ku	D21/662
D933,773	S *	10/2021	Howell	D22/113
11,248,882	B2 *	2/2022	Howell	F41J 7/00
2007/0167297	A1 *	7/2007	Stevenson	A63B 69/24 482/90
2012/0065032	A1 *	3/2012	Jang	A63B 69/32 482/83

(Continued)

OTHER PUBLICATIONS

“Nexersys Commercial” Oct. 9, 2019, Youtube, site visited Aug. 24, 2022: https://www.youtube.com/watch?v=HCIVeiXwm_M (Year: 2019).*

(Continued)

Primary Examiner — Jack Reickel
Assistant Examiner — Salamah Jordan
(74) *Attorney, Agent, or Firm* — David H. Judson

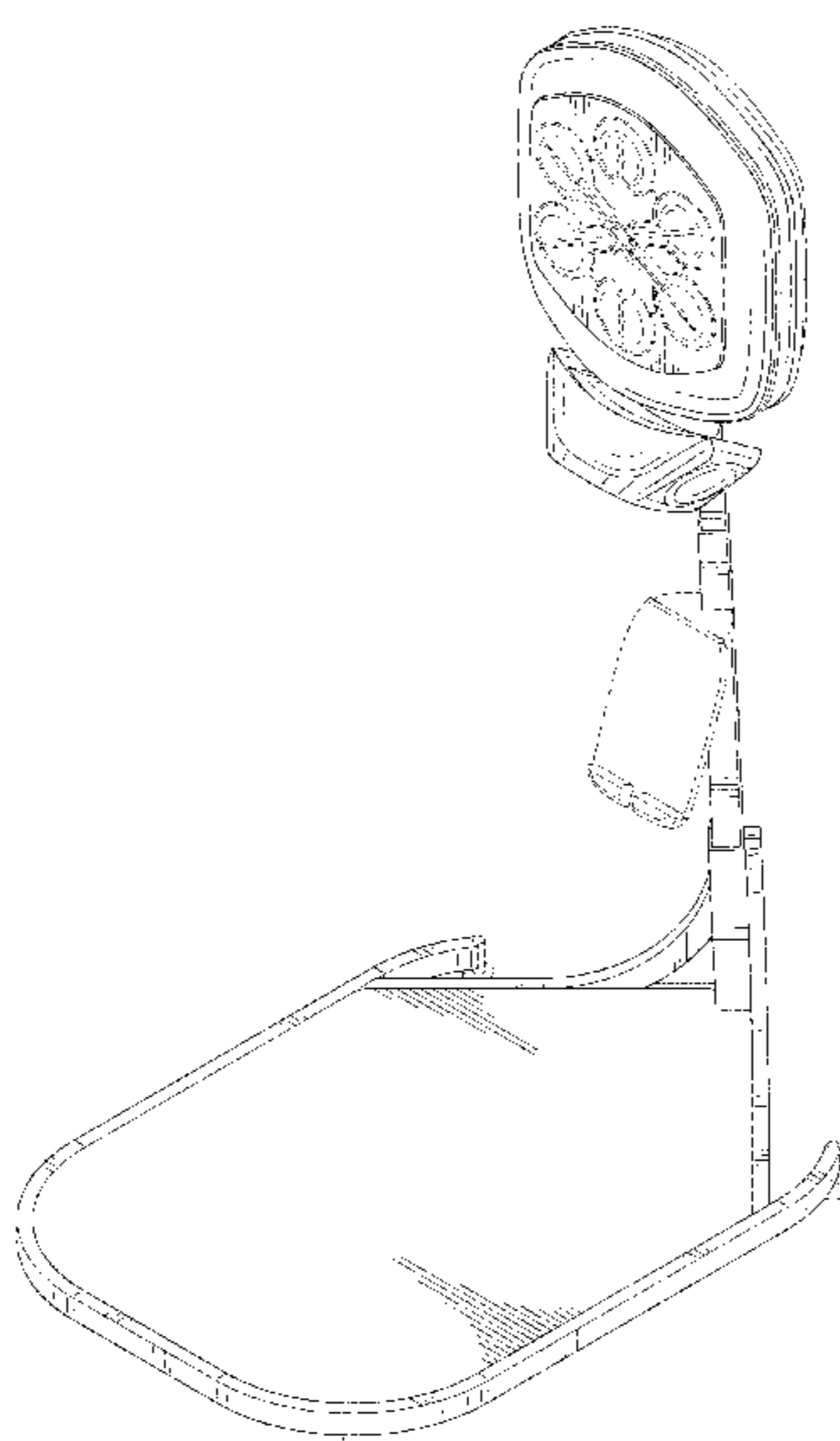
(57) **CLAIM**

The ornamental design for a boxing-based fitness platform, as shown and described.

DESCRIPTION

FIG. 1 is a perspective view of a boxing-based fitness platform, showing our new design; FIG. 2 is a front elevational view thereof; FIG. 3 is a rear elevational view thereof; FIG. 4 is a right view thereof; FIG. 5 is left side view thereof; FIG. 6 is a top view thereof; and, FIG. 7 is a bottom view thereof. The characteristic feature of the design resides in the overall appearance of the article. The broken line showing of a boxing-based fitness platform is included for the purpose of illustrating portions of the article and forms no part of the claimed design.

1 Claim, 7 Drawing Sheets



(56)

References Cited

U.S. PATENT DOCUMENTS

2018/0093154 A1* 4/2018 Kim A63B 69/34

OTHER PUBLICATIONS

“Setting Up KO Blows” Nov. 24, 2016, Youtube, site visited Aug. 24, 2022: <https://www.youtube.com/watch?v=pr9zoY2ZHrU> (Year: 2016).*

“UFC” Oct. 15, 2018, Youtube, site visited Aug. 24, 2022: <https://www.youtube.com/watch?v=AaV4iVz7wck> (Year: 2018).*

* cited by examiner

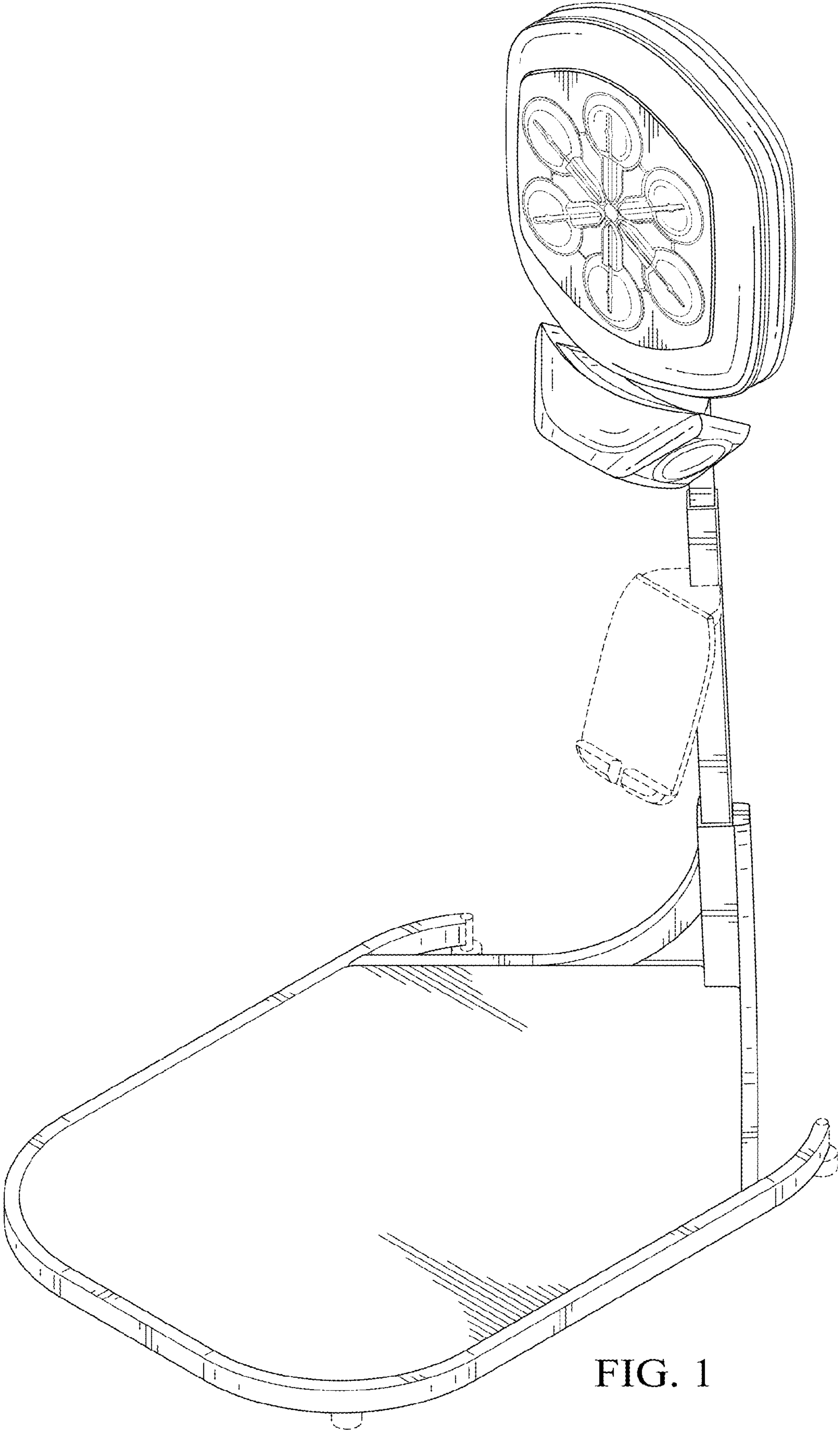


FIG. 1

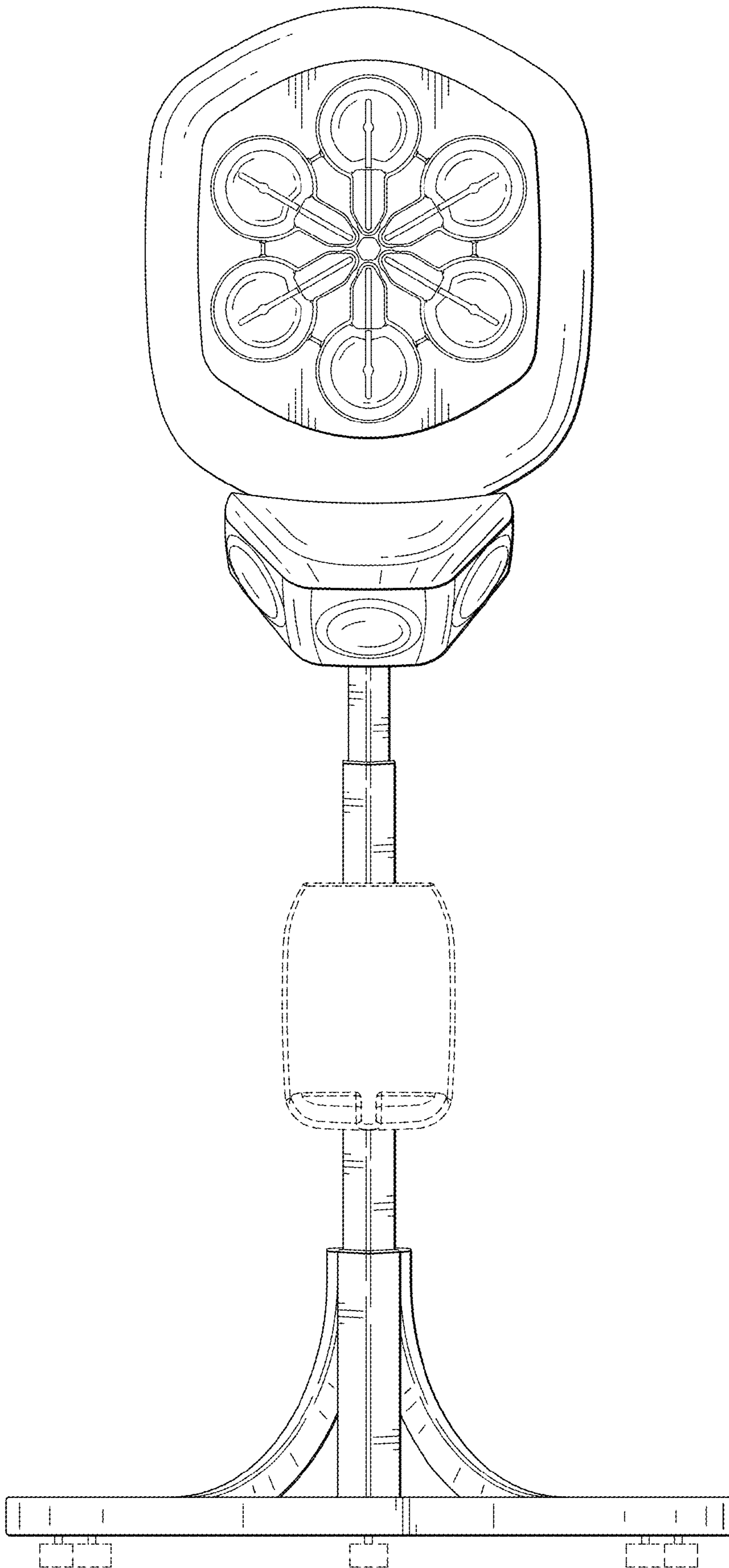


FIG. 2

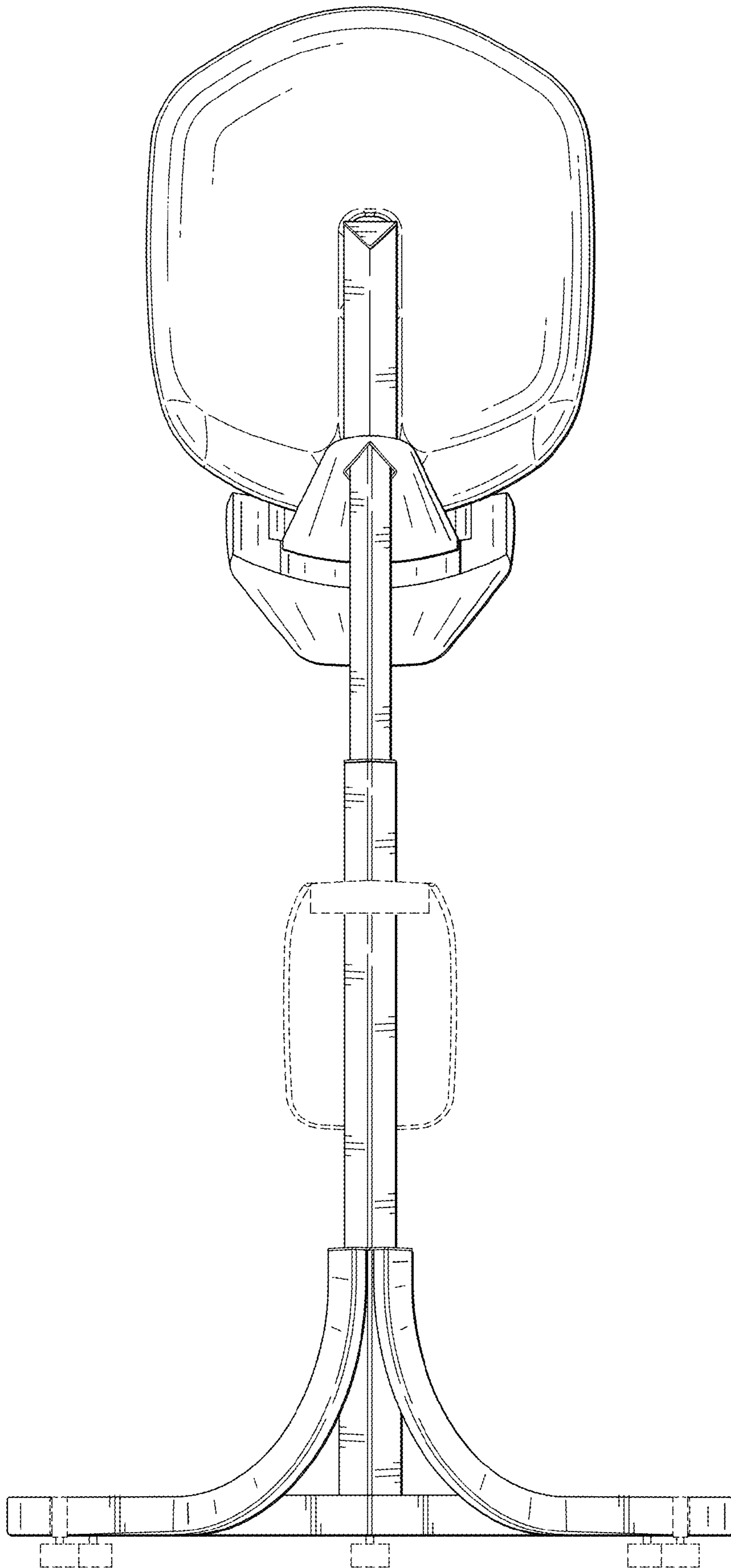


FIG. 3

FIG. 4

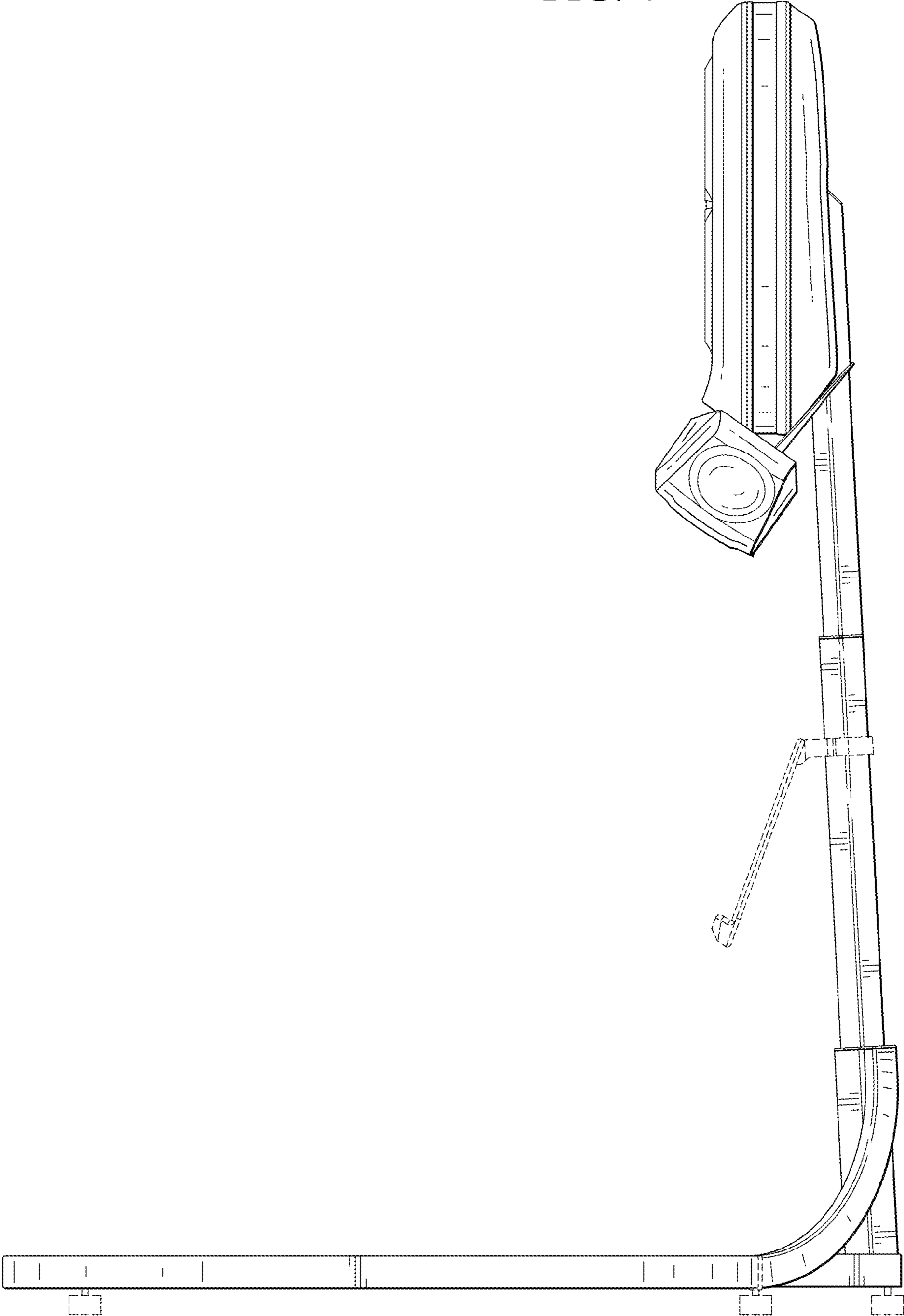
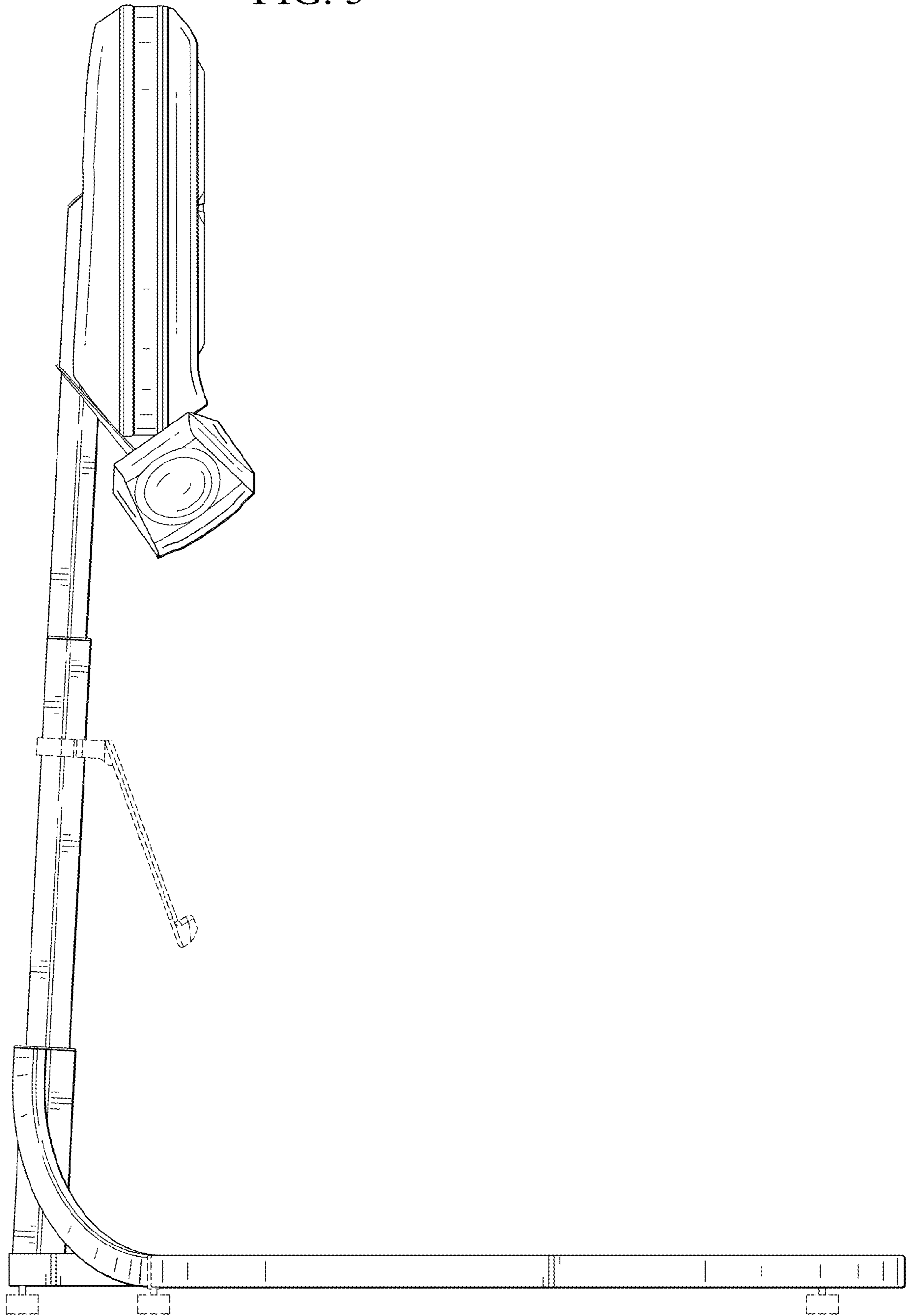


FIG. 5



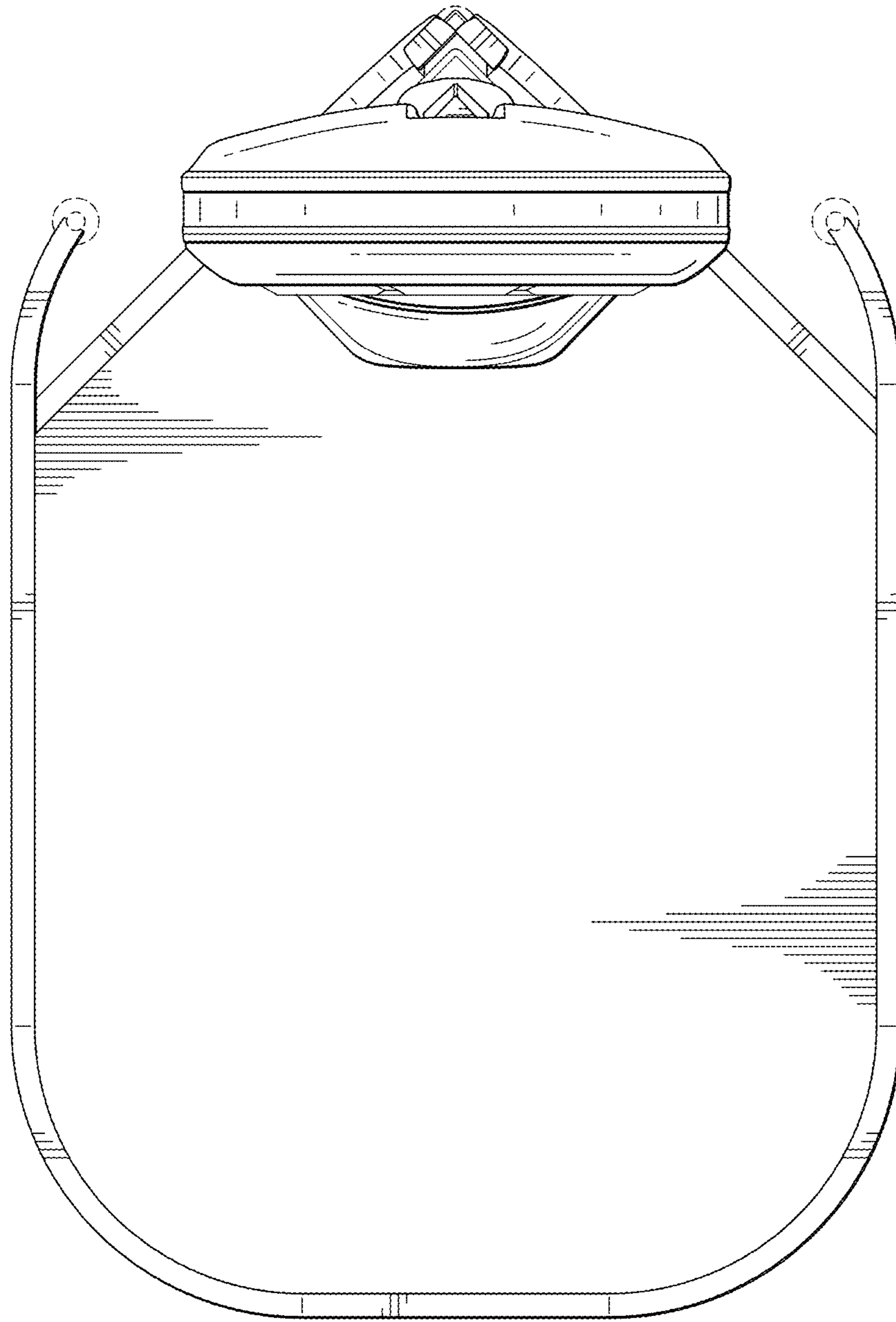


FIG. 6

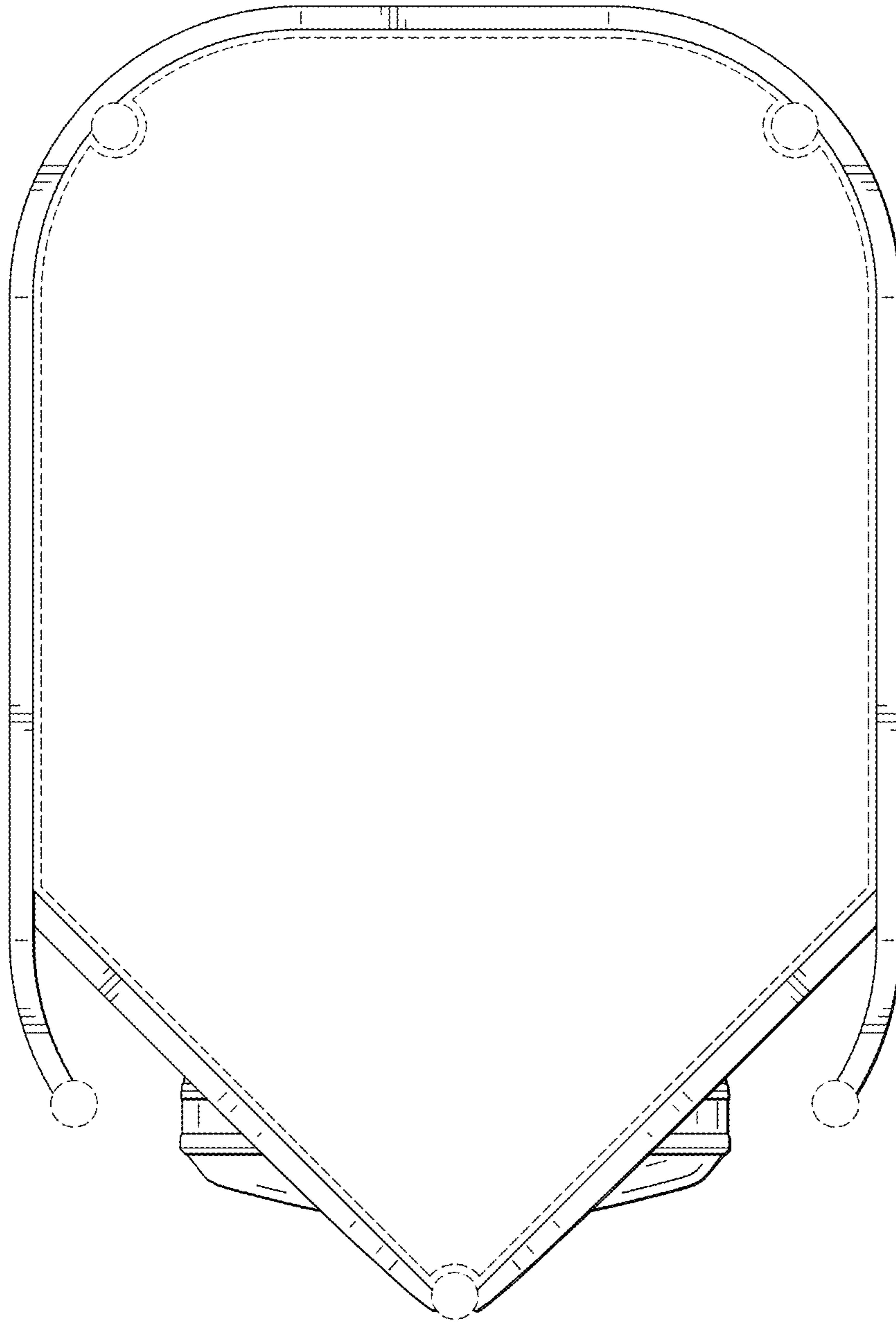


FIG. 7