



US00D983280S

(12) **United States Design Patent**  
**Jain et al.**

(10) **Patent No.:** **US D983,280 S**  
(45) **Date of Patent:** **\*\* Apr. 11, 2023**

(54) **HYDRAULIC PLANE SHOOTER TOY**  
(71) Applicant: **SMARTIVITY LABS PVT. LTD.,**  
New Delhi (IN)  
(72) Inventors: **Rajat Jain, New Delhi (IN); Surjeesh**  
**Laishram, Gurgaon (IN)**  
(73) Assignee: **SMARTIVITY LABS PVT. LTD.,**  
New Delhi (IN)

8,303,365 B2 \* 11/2012 Lin ..... A63H 27/005  
446/56  
8,997,727 B1 \* 4/2015 Hamel ..... F41B 7/08  
124/16  
9,086,251 B2 \* 7/2015 Cummings ..... F41B 11/66  
D759,164 S \* 6/2016 Bei ..... D21/454  
D943,683 S \* 2/2022 Jain ..... D21/571  
2009/0145414 A1 \* 6/2009 Russell ..... F41B 11/723  
124/75  
2011/0259310 A1 \* 10/2011 Sopinsky ..... F41B 7/08  
124/31  
2018/0333651 A1 \* 11/2018 Choi ..... A63H 18/02

(\*\*) Term: **15 Years**

(21) Appl. No.: **29/774,240**

(22) Filed: **Mar. 15, 2021**

(51) **LOC (14) Cl.** ..... **21-01**

(52) **U.S. Cl.**  
USPC ..... **D21/571**

(58) **Field of Classification Search**  
USPC ..... D12/1-4, 16.1, 319-345; D21/436-454  
CPC ..... B64C 39/024; B64C 13/16; B64C 19/00;  
B64C 2201/021; B64C 2201/141; B64H  
1/3442; F41R 7/003; F41B 11/66; F41B  
9/00; F41B 11/89; A63H 33/18  
See application file for complete search history.

(56) **References Cited**

**U.S. PATENT DOCUMENTS**

3,603,024 A \* 9/1971 Davis ..... A63H 27/14  
446/435  
4,159,705 A \* 7/1979 Jacoby ..... F41B 11/66  
124/63  
4,223,472 A \* 9/1980 Fekete ..... A63H 27/14  
74/543  
5,415,153 A \* 5/1995 Johnson ..... A63H 27/14  
124/63  
6,347,623 B1 \* 2/2002 Kownacki ..... A63H 17/006  
124/56

**OTHER PUBLICATIONS**

Smartivity Hydraulic Plane Launcher Toy [May 10, 2022] found  
online [May 10, 2022]—<https://www.smartivity.in/collections/best-engineering-toys-for-kids/products/hydraulic-plane-launcher>.\*

\* cited by examiner

*Primary Examiner* — John A Voytek  
(74) *Attorney, Agent, or Firm* — Kunzler Bean &  
Adamson

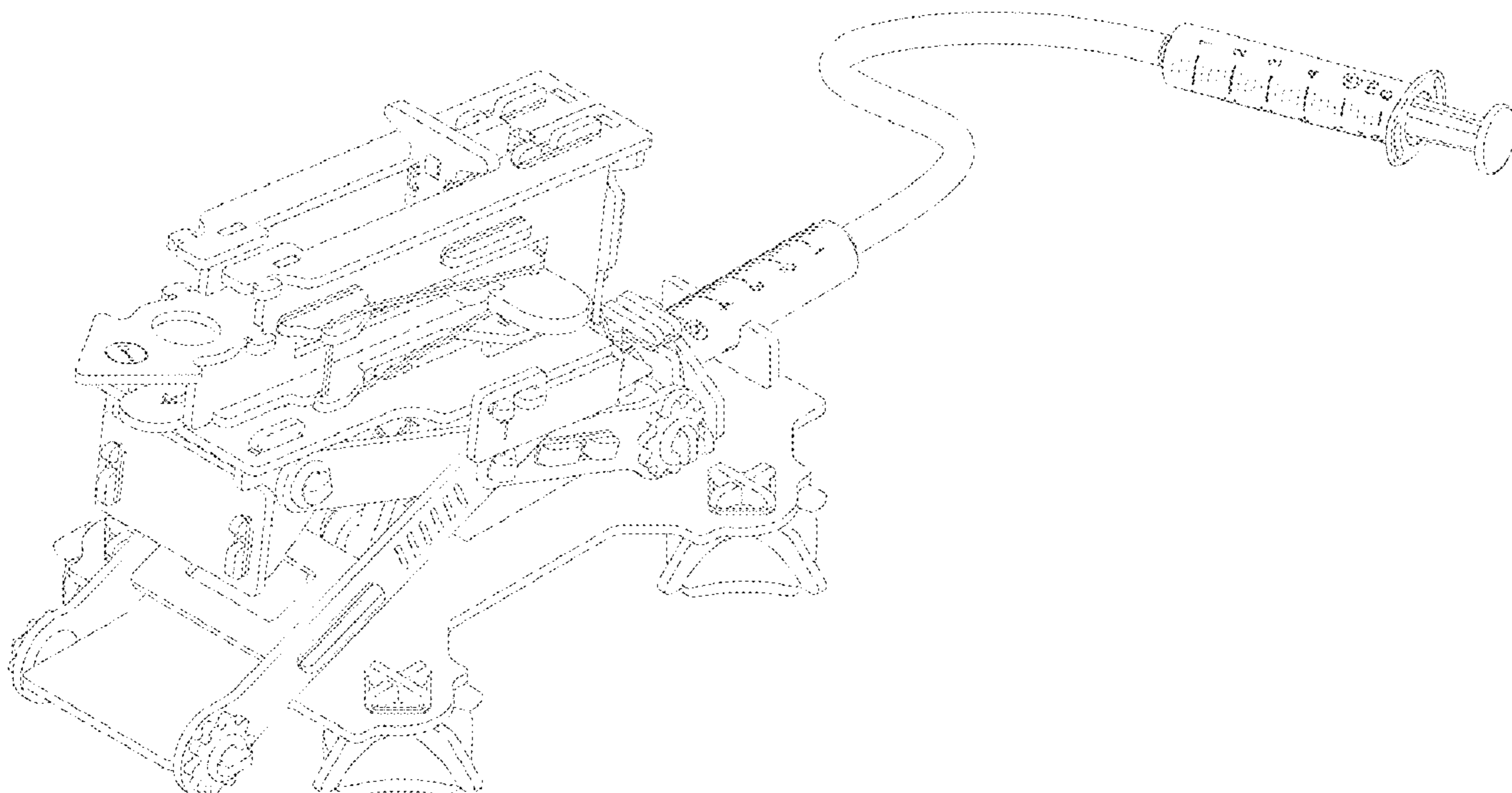
(57) **CLAIM**

The ornamental design for a hydraulic plane shooter toy, as  
shown and described.

**DESCRIPTION**

FIG. 1 is a front view of a hydraulic plane shooter toy;  
FIG. 2 is a back view of the hydraulic plane shooter toy;  
FIG. 3 is a top view of the hydraulic plane shooter toy;  
FIG. 4 is a bottom view of the hydraulic plane shooter toy;  
FIG. 5 is a perspective view of the hydraulic plane shooter  
toy;  
FIG. 6 is a left view of the hydraulic plane shooter toy; and,  
FIG. 7 is a right view of the hydraulic plane shooter toy.

**1 Claim, 6 Drawing Sheets**



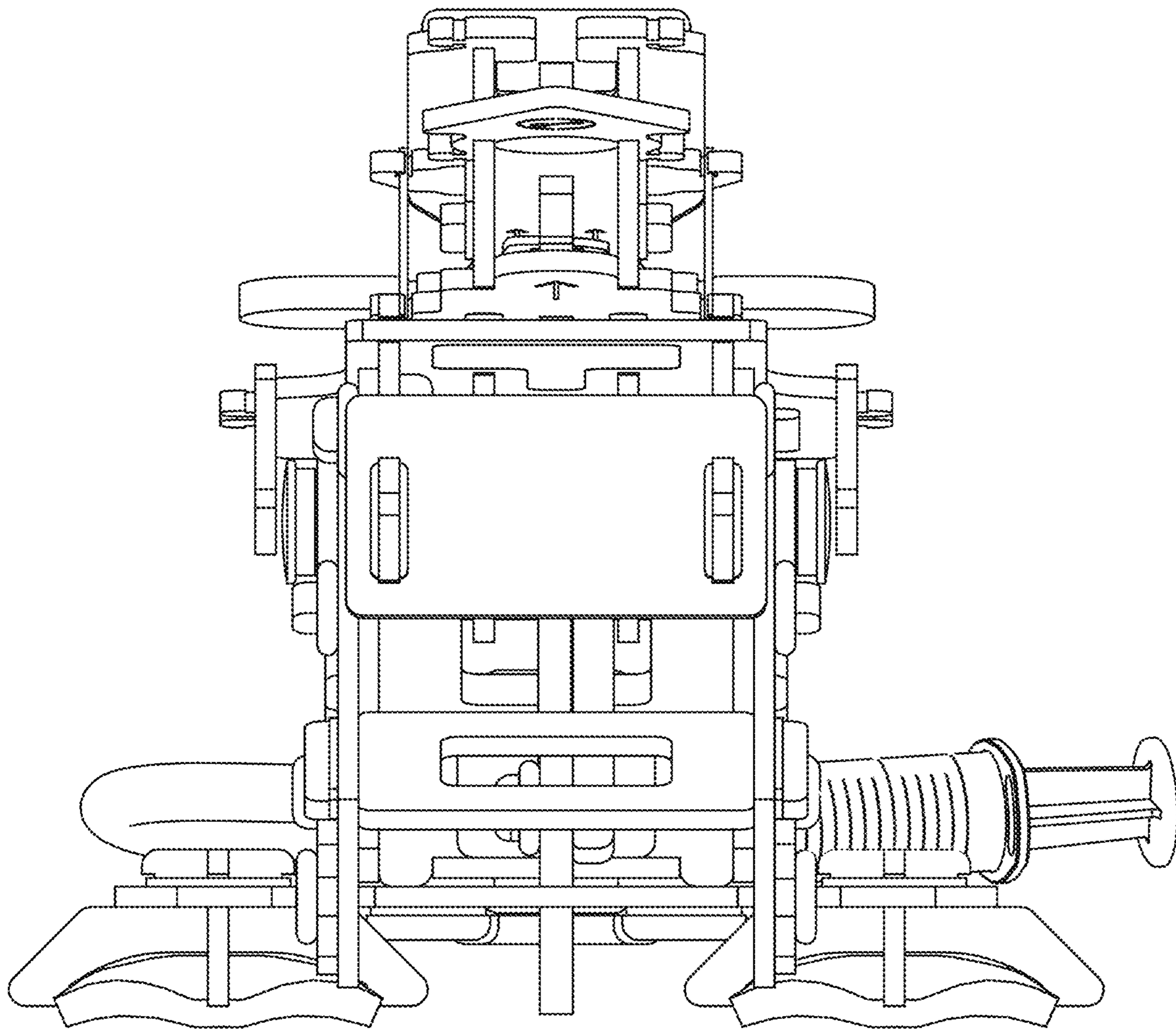


FIGURE 1

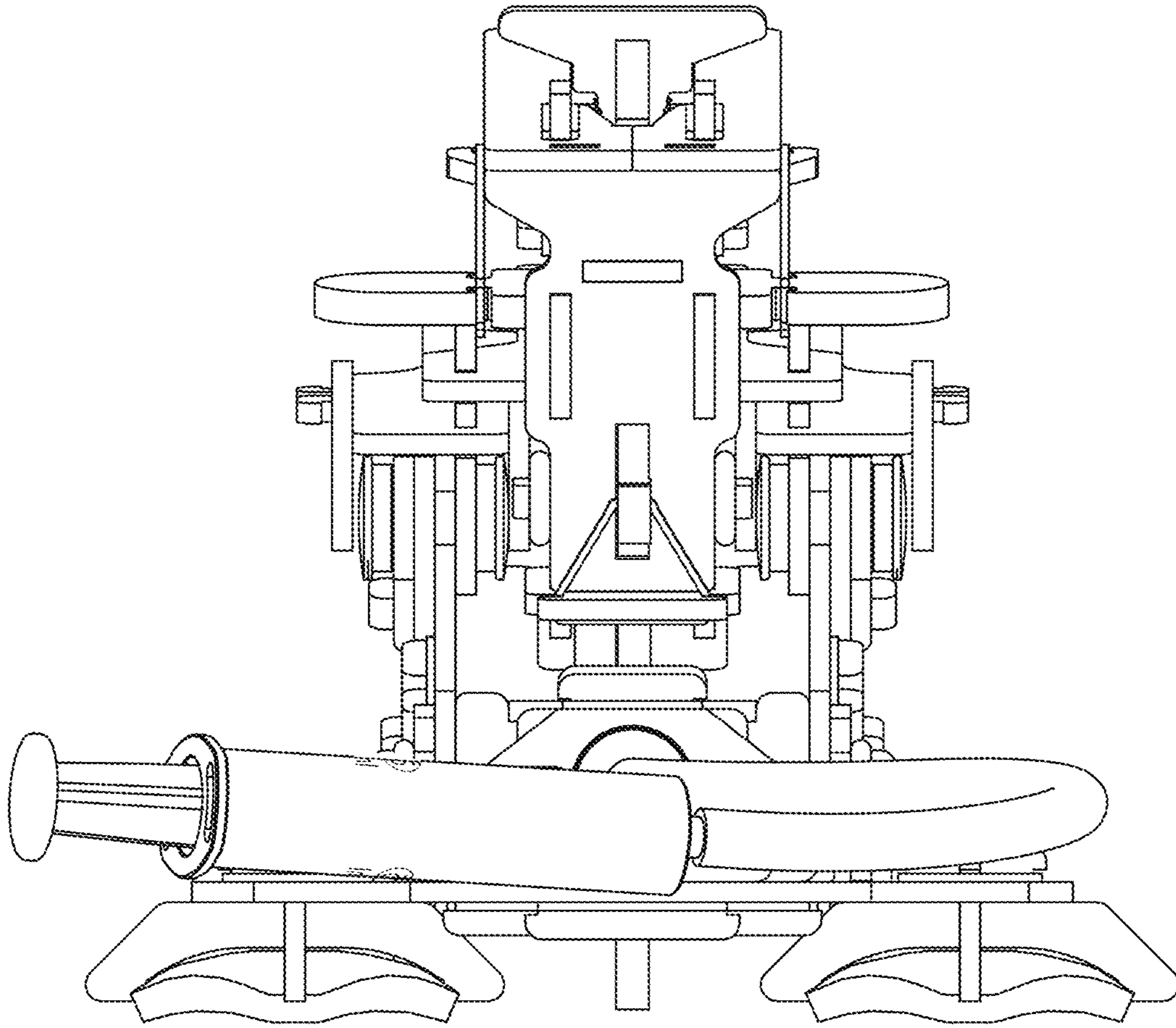


FIGURE 2

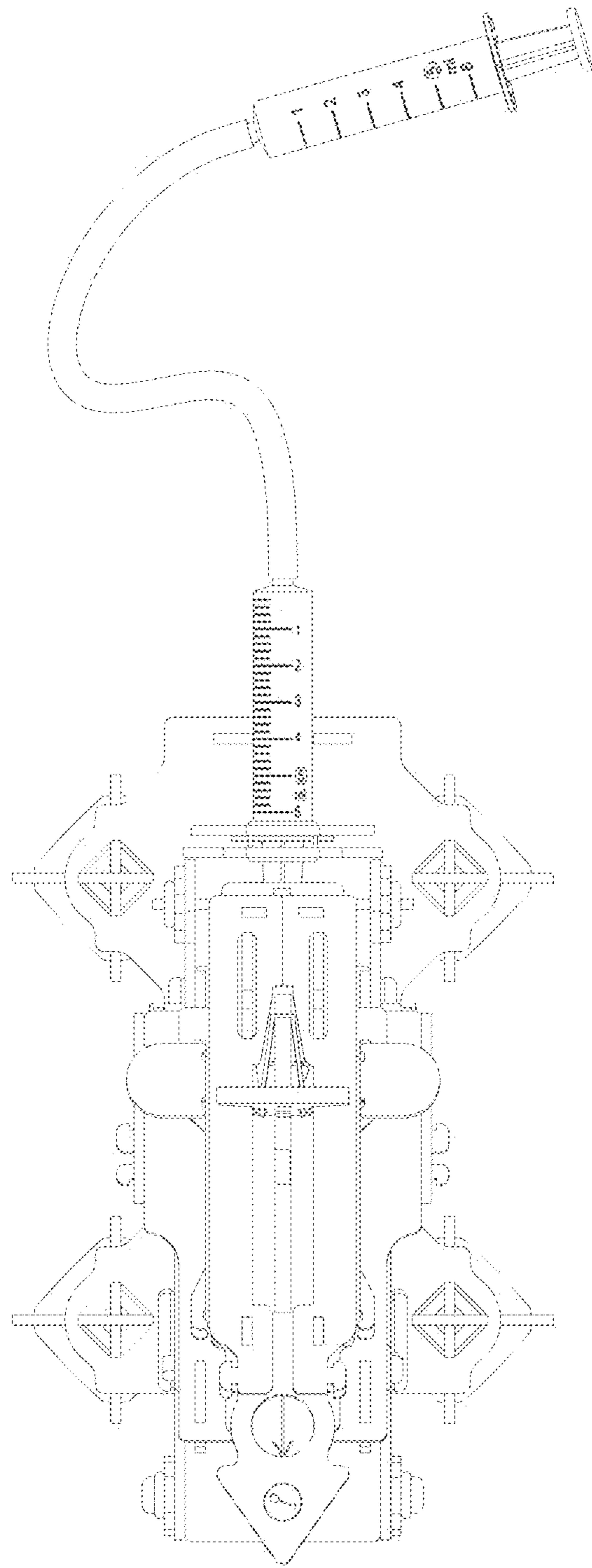


FIGURE 3



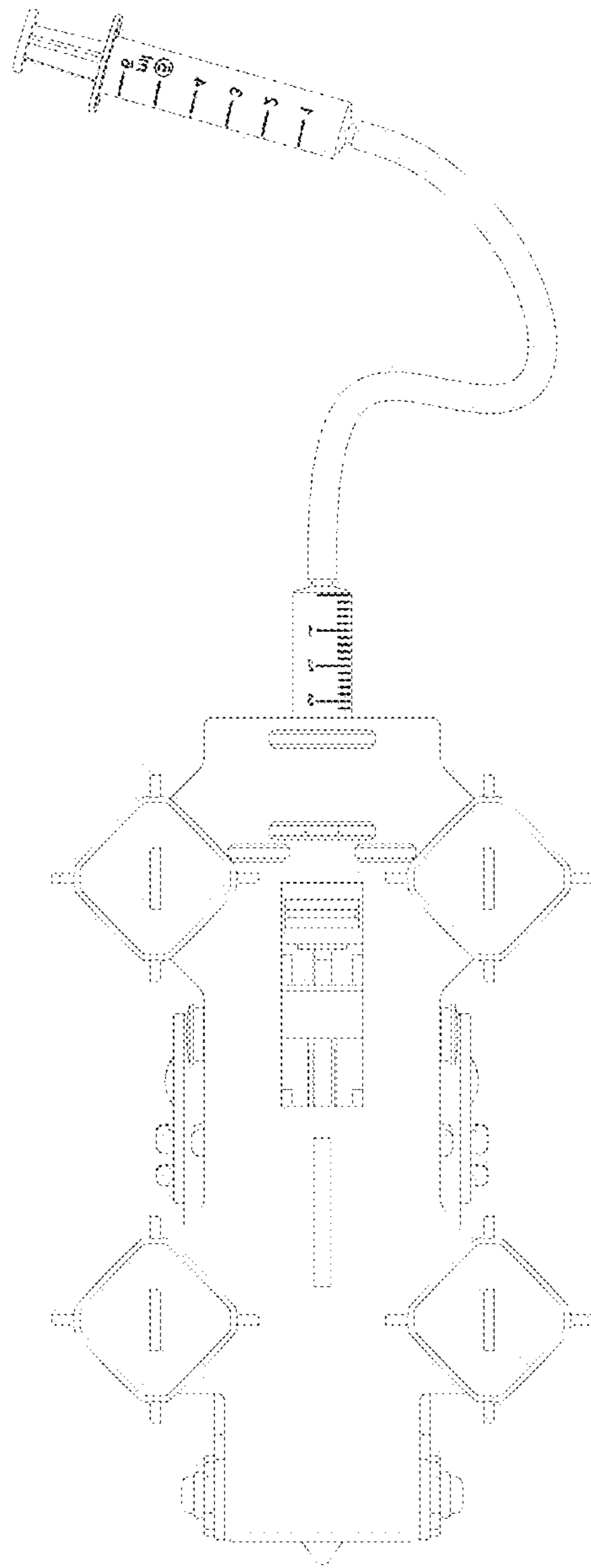


FIGURE 4

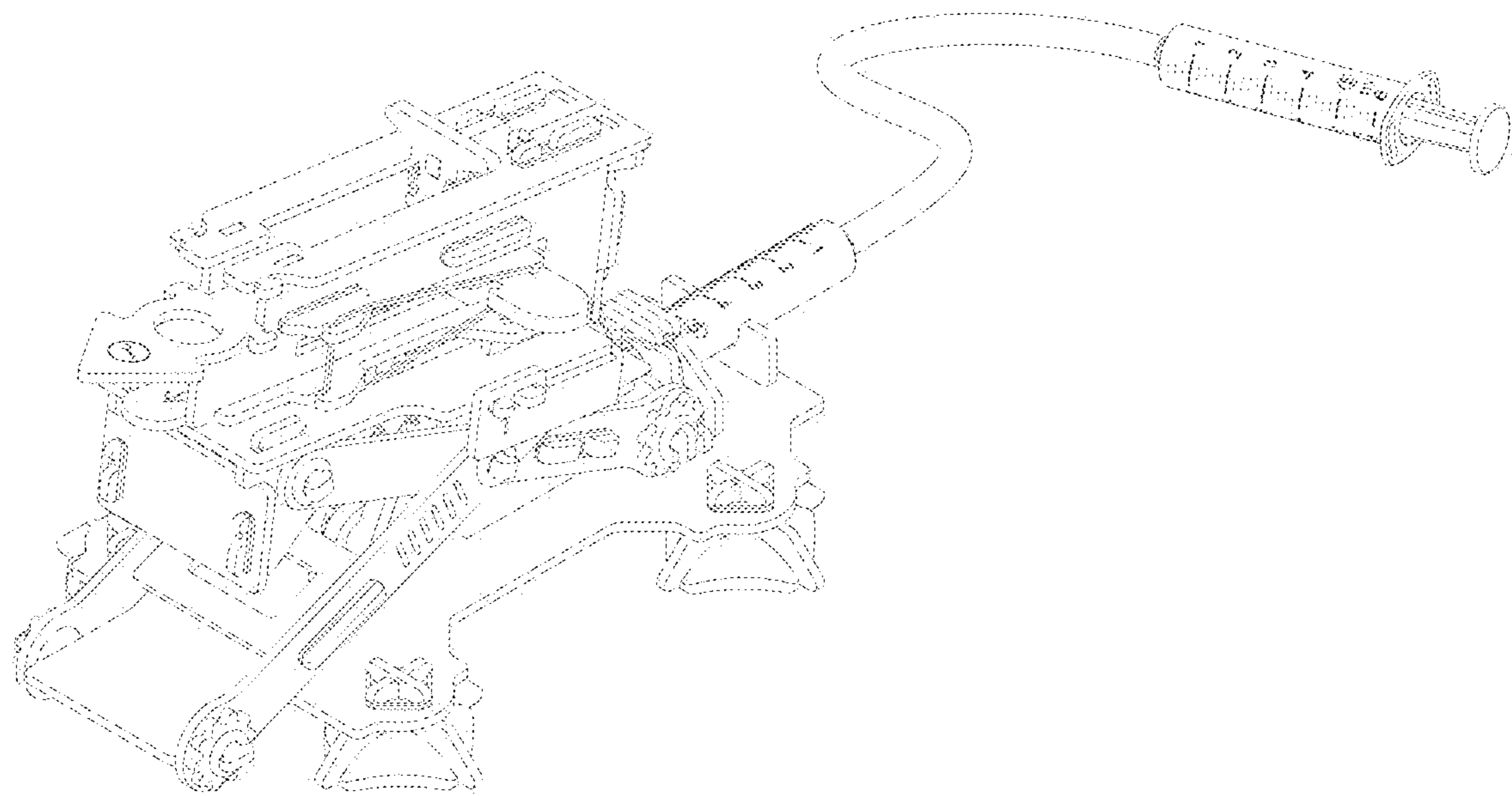


FIGURE 5

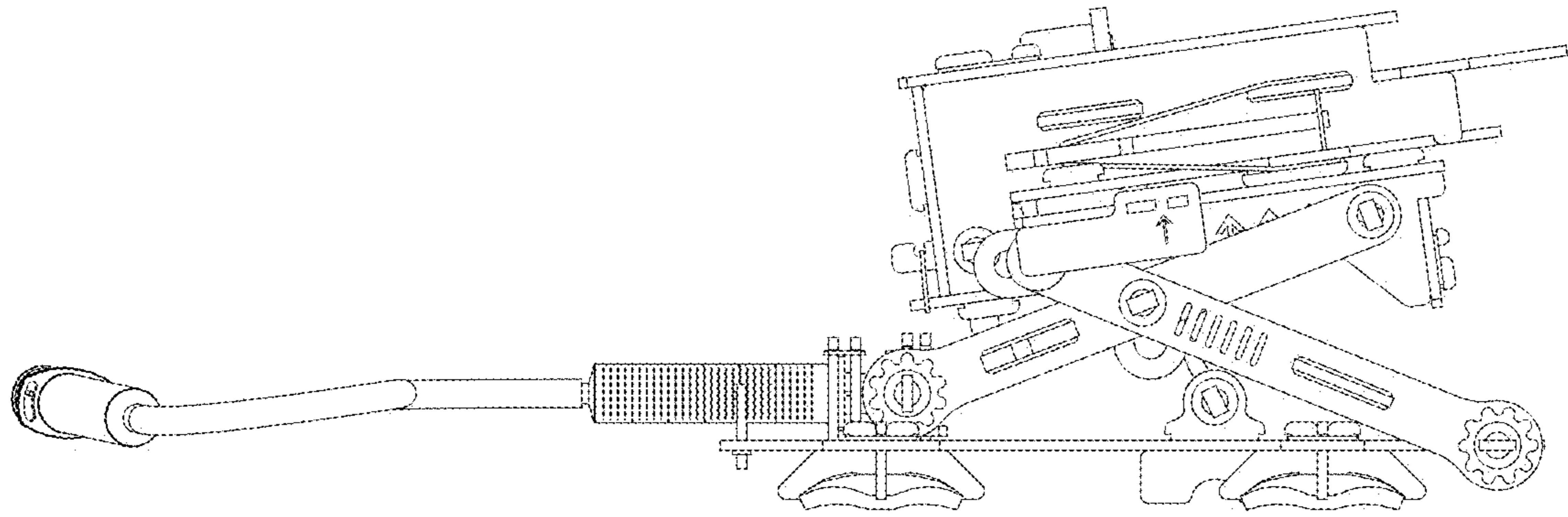


FIGURE 6

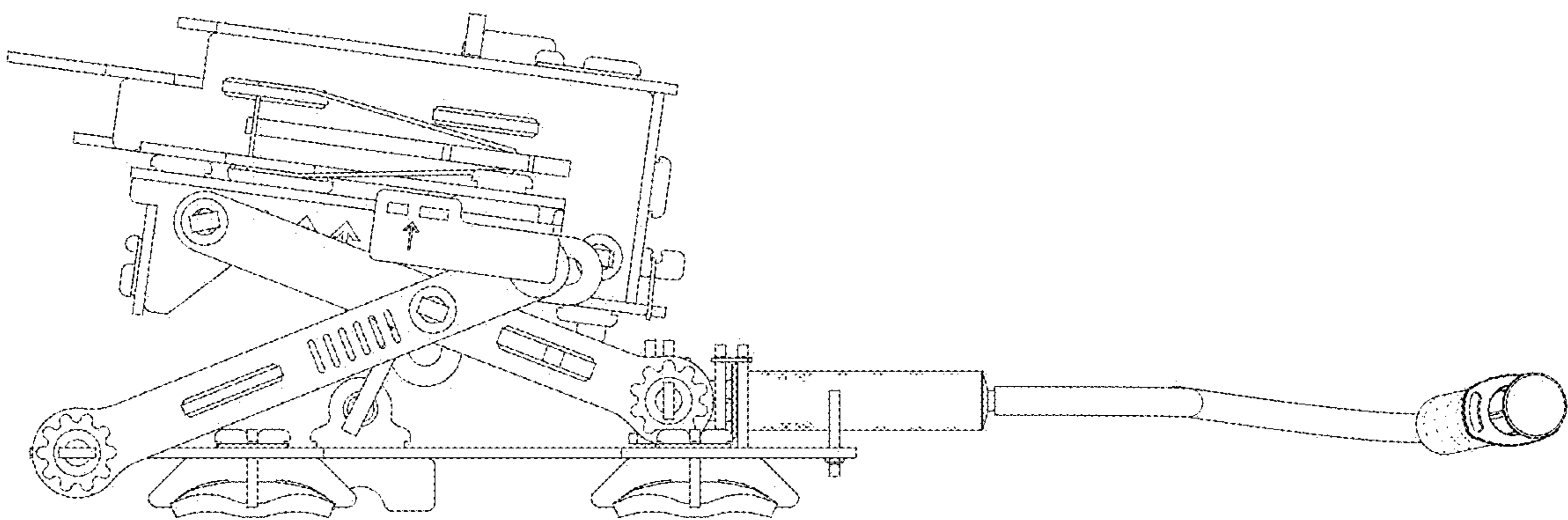


FIGURE 7