



US00D983279S

(12) **United States Design Patent**  
**Hilt**

(10) **Patent No.:** **US D983,279 S**

(45) **Date of Patent:** **\*\* Apr. 11, 2023**

(54) **TOY PROJECTILE LAUNCHER**

(71) Applicant: **Garrett Hilt**, Bakersfield, CA (US)

(72) Inventor: **Garrett Hilt**, Bakersfield, CA (US)

(\*\*) Term: **15 Years**

(21) Appl. No.: **29/730,590**

(22) Filed: **Apr. 6, 2020**

(51) **LOC (14) Cl.** ..... **21-01**

(52) **U.S. Cl.**  
USPC ..... **D21/570**

(58) **Field of Classification Search**  
USPC ..... D21/454, 455, 569, 567, 568, 570, 571,  
D21/572, 573, 574, 575; D22/107  
CPC ..... A63H 27/005; A63F 9/0252; A63F  
2009/0265; F42B 6/04; F42B 6/06; F42B  
6/08

See application file for complete search history.

(56) **References Cited**

**U.S. PATENT DOCUMENTS**

1,153,415	A *	9/1915	Beaty	.....	F41B 3/02
2,565,176	A	8/1951	Hockett		
2,735,221	A	2/1956	Fields		
3,103,213	A	9/1963	Robinson		
3,277,878	A	10/1966	Pankratz		
3,465,472	A	9/1969	Novotny		
3,974,820	A *	8/1976	Ott	.....	F41B 3/02
4,411,248	A *	10/1983	Kivenson	.....	F41B 3/02
5,678,528	A *	10/1997	Hadley	.....	F41B 5/12
6,968,835	B2 *	11/2005	Lee	.....	F41B 3/02
6,997,770	B2 *	2/2006	Lapointe	.....	F41B 11/00 124/66
8,662,060	B2	3/2014	Walterscheid et al.		
8,689,773	B2	4/2014	Walterscheid et al.		
8,991,373	B2 *	3/2015	Cummings	.....	F41B 7/08
9,091,514	B1	7/2015	Cummings		
9,239,205	B2	1/2016	Cummings		
9,395,141	B2 *	7/2016	Cummings	.....	F41B 5/1411

9,476,666	B1 *	10/2016	Larner	.....	F41B 5/00
10,422,605	B2	9/2019	Shapiro		
D881,999	S *	4/2020	Lin	.....	D21/571
10,976,142	B1 *	4/2021	Hilt	.....	F41B 3/02
D948,633	S *	4/2022	Kam	.....	D21/570

(Continued)

**FOREIGN PATENT DOCUMENTS**

CN	303648946	*	4/2016
CN	304899608	*	4/2018

**OTHER PUBLICATIONS**

Rochan Wrist Folding Slingshot Set, first available Apr. 9, 2021, amazon.com [online], site visited [Jan. 27, 2022], Available from internet URL: <https://amzn.to/3r2u6ql> (Year: 2021).\*

(Continued)

*Primary Examiner* — Jack Reickel

*Assistant Examiner* — Salamah Jordan

(74) *Attorney, Agent, or Firm* — Goldstein Law Offices, P.C.

(57) **CLAIM**

The ornamental design for a toy projectile launcher, as shown and described.

**DESCRIPTION**

FIG. 1 is a perspective view of a toy projectile launcher, showing my new design.

FIG. 2 is a front elevational view thereof.

FIG. 3 is a rear elevational view thereof.

FIG. 4 is a right side elevational view thereof.

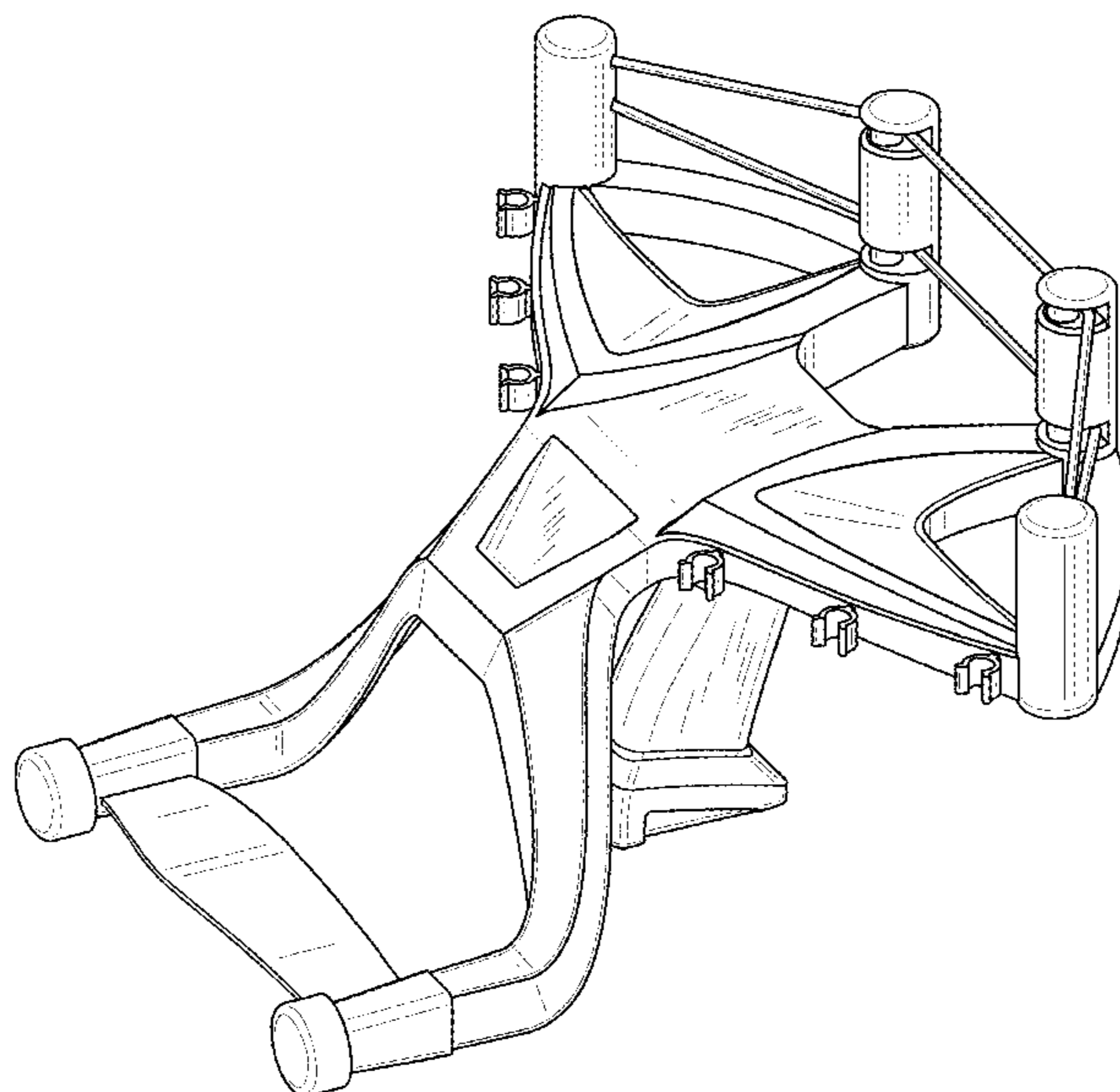
FIG. 5 is a left side elevational view thereof.

FIG. 6 is a top plan view thereof; and,

FIG. 7 is a bottom plan view thereof.

The broken lines in the figures illustrate portions of the toy projectile launcher that form no part of the claimed design.

**1 Claim, 5 Drawing Sheets**



(56)

**References Cited**

U.S. PATENT DOCUMENTS

11,325,051 B1 \* 5/2022 Hilt ..... F41B 11/642  
11,385,016 B1 \* 7/2022 Allen ..... F41B 7/003  
2002/0134366 A1 \* 9/2002 Rehkemper ..... F41B 4/00  
124/78  
2013/0055994 A1 \* 3/2013 Walterscheid ..... F41B 3/02  
124/20.1  
2013/0167819 A1 \* 7/2013 Walterscheid ..... F41B 3/02  
124/20.1  
2015/0260475 A1 9/2015 Monnig et al.  
2016/0018175 A1 \* 1/2016 Lallier ..... F41B 5/12  
29/428  
2016/0153738 A1 \* 6/2016 Cummings ..... F41B 5/0094  
2019/0011215 A1 1/2019 Shaffer et al.

OTHER PUBLICATIONS

“Goldboy Professional Slingshot” Sep. 17, 2020, Amazon, site visited Sep. 1, 2022: <https://amzn.to/3RwPAGs> (Year: 2020).\*

“Adjustable Stainless Hunting Laser Slingshot” Sep. 9, 2016, Amazon, site visited Sep. 1, 2022: <https://amzn.to/3QcHdP7> (Year: 2016).\*

“Cooy Slingshot” Apr. 27, 2019, Amazon, site visited Nov. 9, 2022: <https://amzn.to/3DUtNDo> (Year: 2019).\*

\* cited by examiner

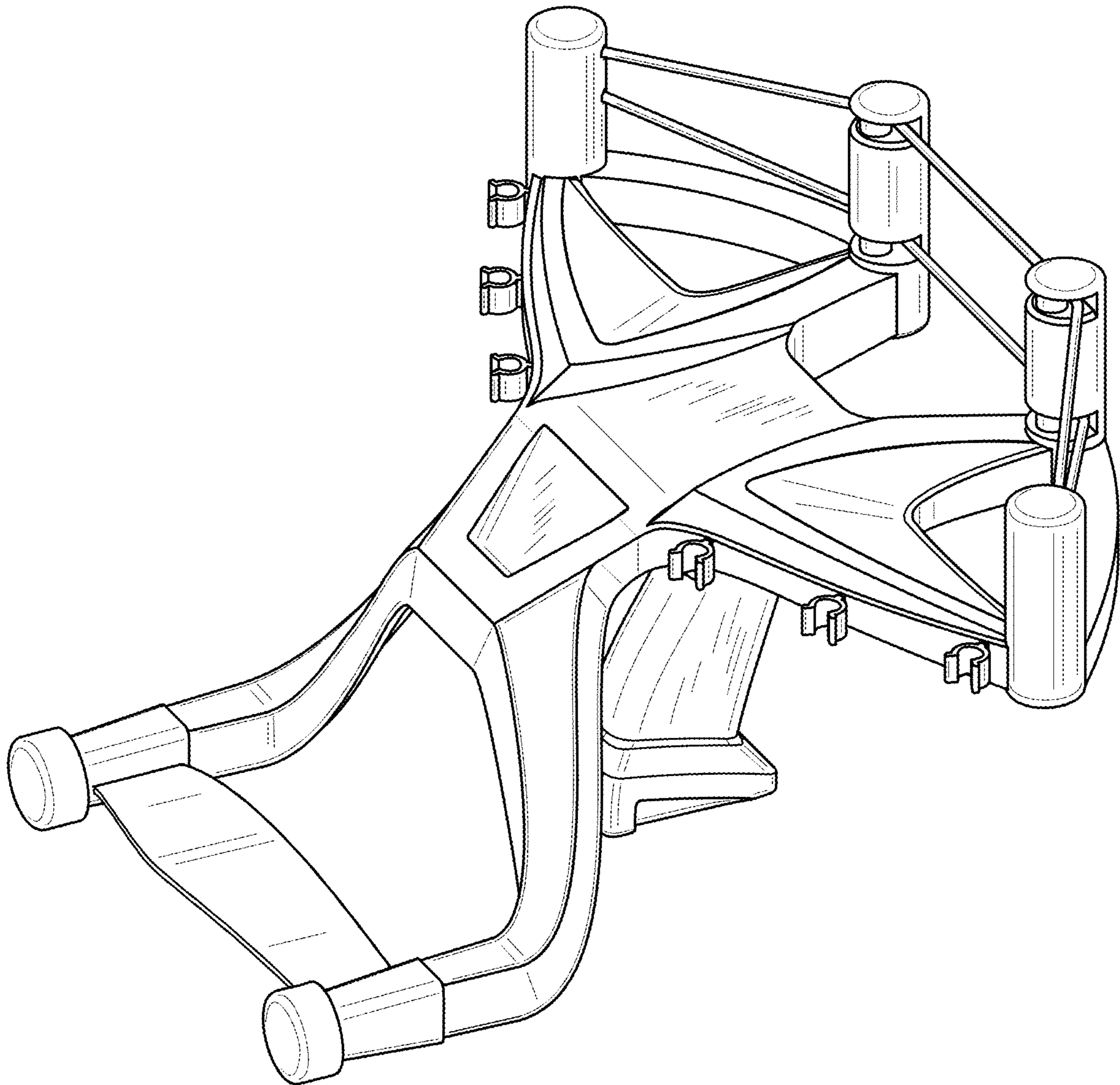


FIG. 1

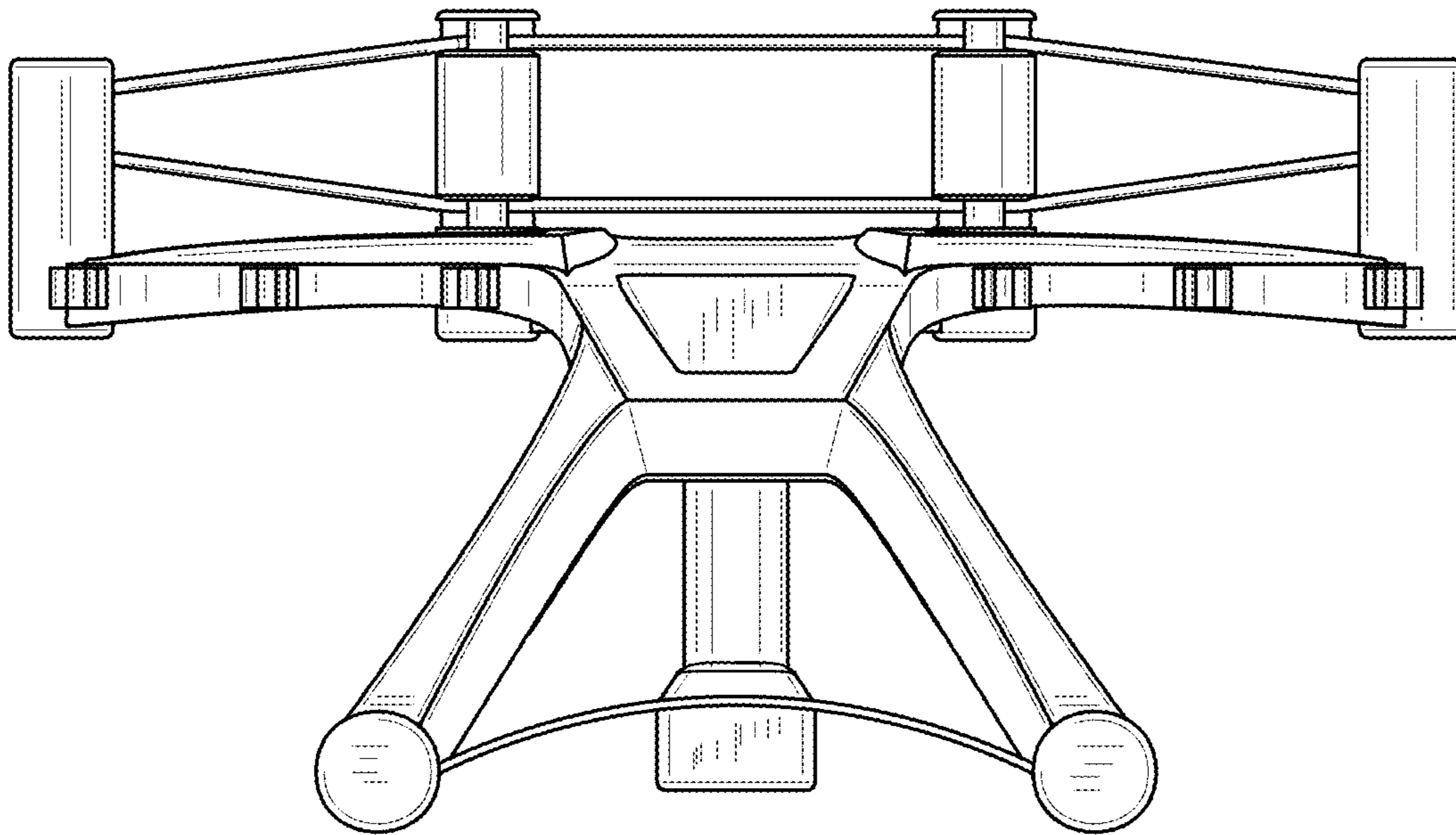


FIG. 2

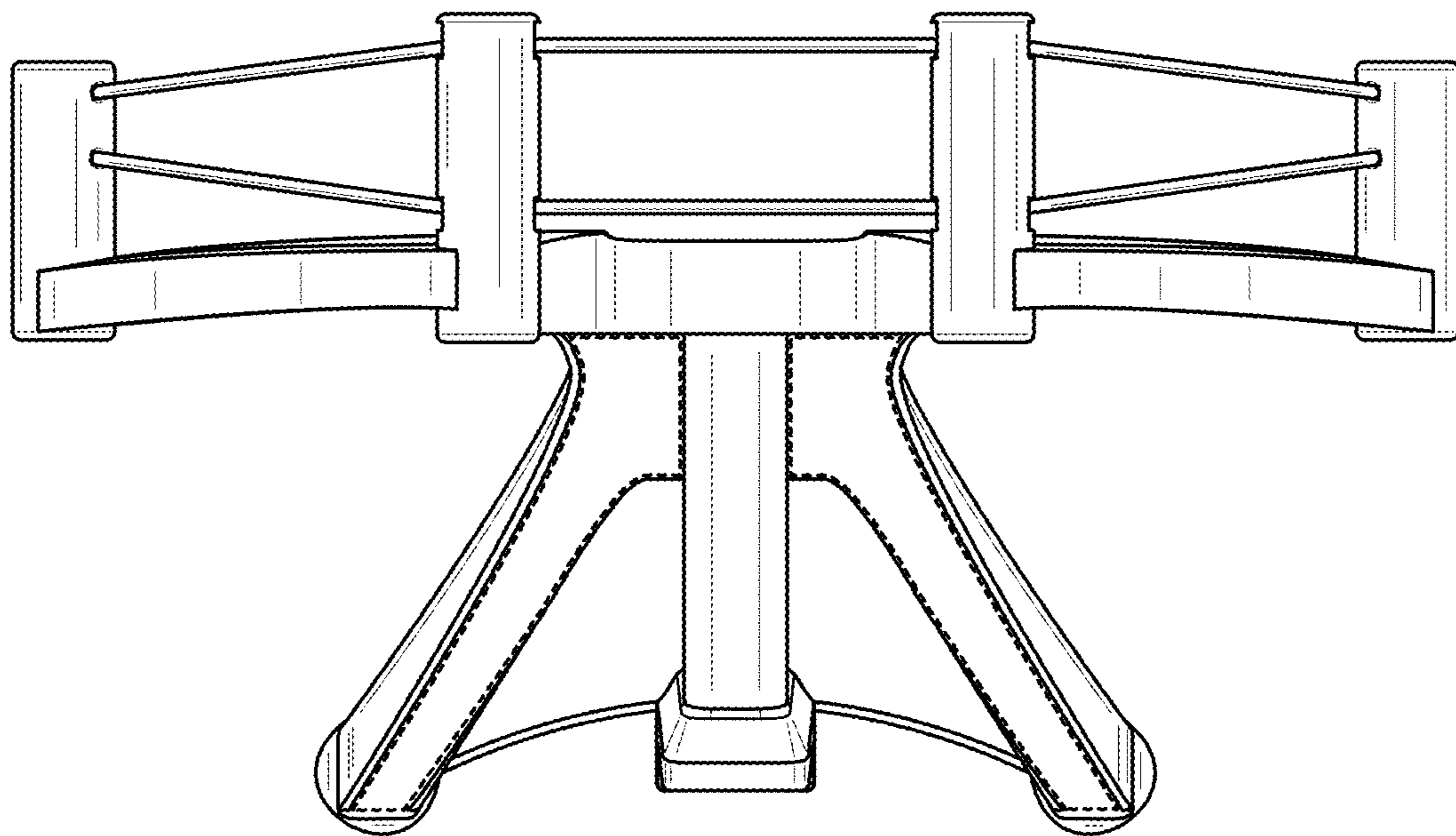


FIG. 3

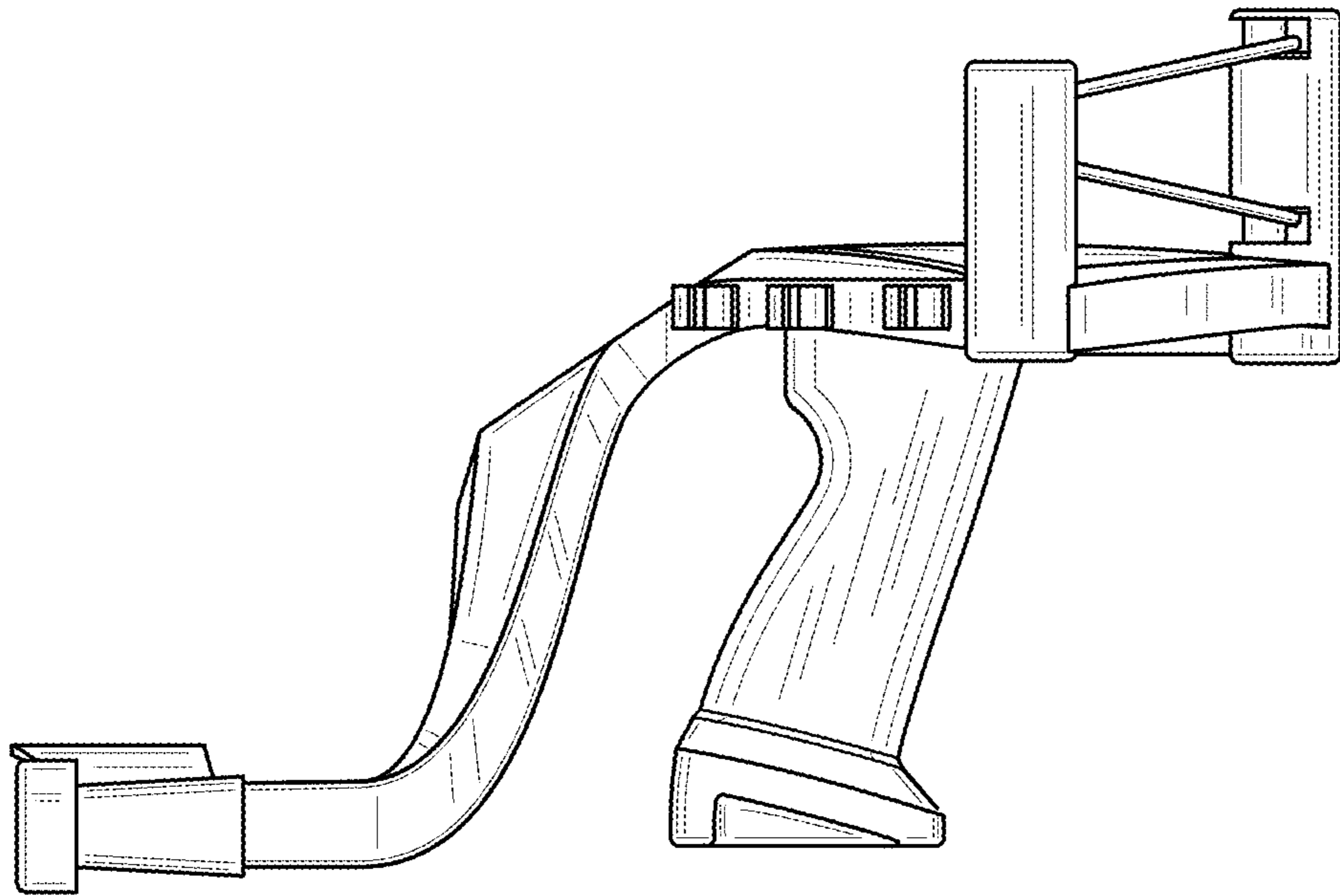


FIG. 4

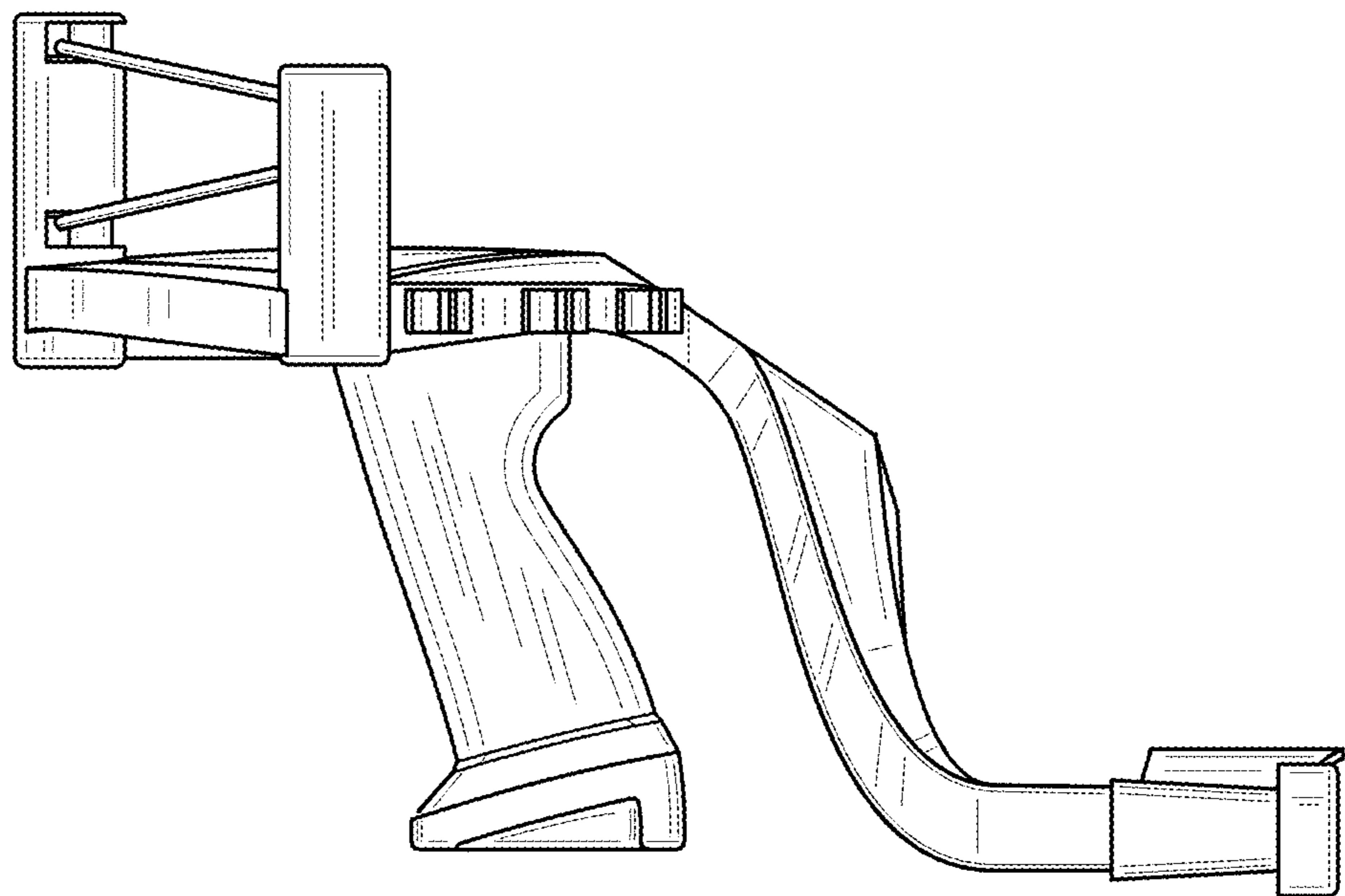


FIG. 5

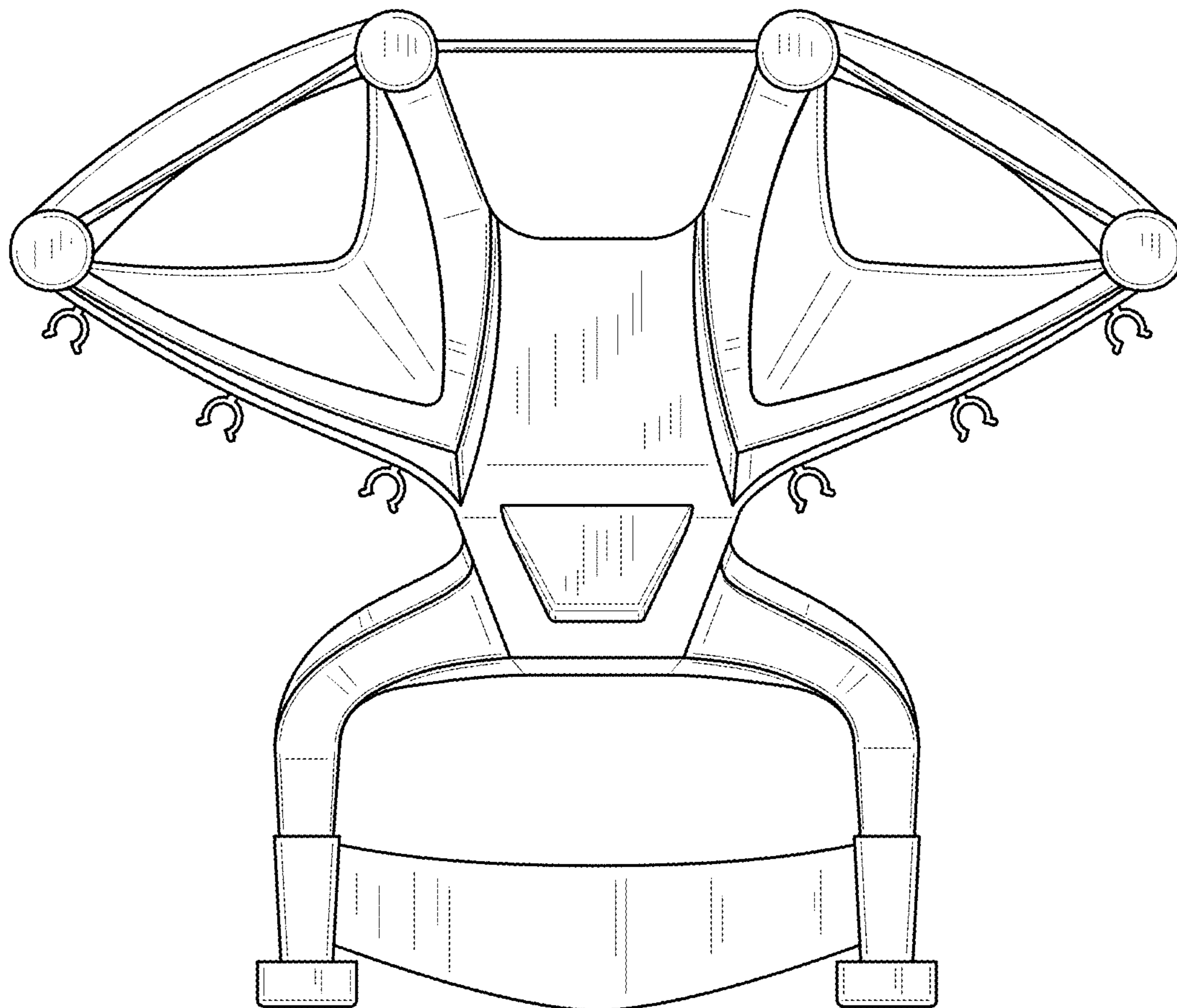


FIG. 6

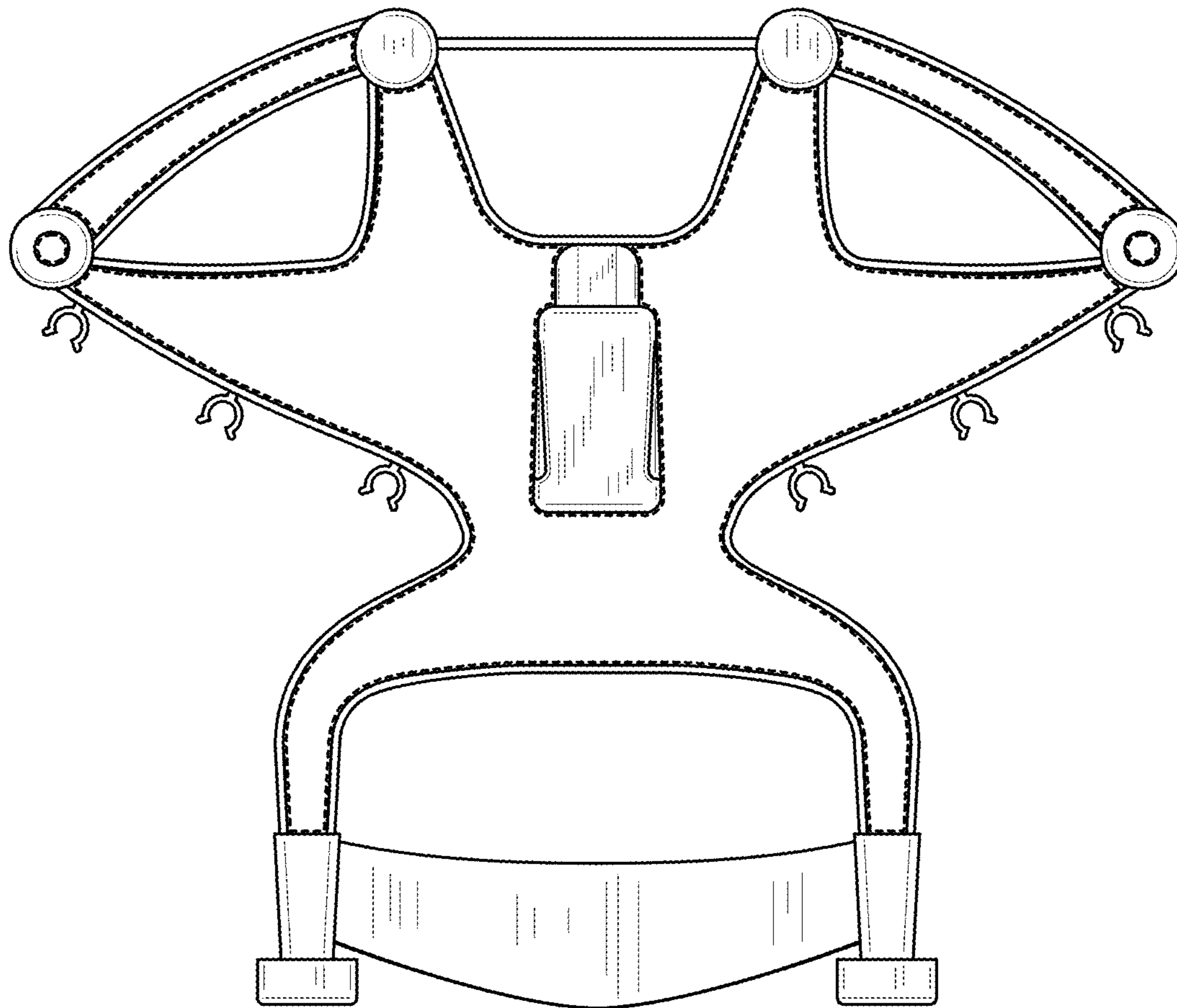


FIG. 7