



US00D983278S

(12) **United States Design Patent**  
**Kitazawa et al.**

(10) **Patent No.:** **US D983,278 S**

(45) **Date of Patent:** **\*\* \*Apr. 11, 2023**

(54) **RADIO CONTROL DEVICE FOR HOBBY MODELS**

(71) Applicant: **Futaba Corporation**, Mobara (JP)

(72) Inventors: **Hideo Kitazawa**, Mobara (JP); **Makoto Migita**, Tokyo (JP)

(73) Assignee: **Futaba Corporation**, Mobara (JP)

(\*) Notice: This patent is subject to a terminal disclaimer.

(\*\*) Term: **15 Years**

(21) Appl. No.: **29/689,036**

(22) Filed: **Apr. 26, 2019**

(30) **Foreign Application Priority Data**

Nov. 12, 2018 (JP) ..... 2018-024745

(51) **LOC (14) Cl.** ..... **21-02**

(52) **U.S. Cl.**  
USPC ..... **D21/566**

(58) **Field of Classification Search**  
USPC ..... D13/158, 169; D14/400, 401, 413, 415,  
D14/454; D21/324, 329, 333, 434, 513,  
D21/552, 559, 560, 566  
CPC ..... H04B 1/02; A63H 30/00; A63H 30/02  
See application file for complete search history.

(56) **References Cited**

**U.S. PATENT DOCUMENTS**

D464,684 S \* 10/2002 Arai ..... D21/566  
D518,117 S \* 3/2006 Takahashi ..... D21/566  
D525,320 S \* 7/2006 Noguchi ..... D21/566  
D563,487 S \* 3/2008 Takahashi ..... D21/566

D573,666 S \* 7/2008 Idiot ..... D21/566  
D581,469 S \* 11/2008 Suzuki ..... D21/566  
D594,514 S \* 6/2009 Noguchi ..... D21/566  
D658,238 S \* 4/2012 Kitazawa ..... D21/566  
D782,962 S \* 4/2017 Dunford ..... D21/566  
D807,970 S \* 1/2018 Kitazawa ..... D21/566  
D854,630 S \* 7/2019 Kitazawa ..... D21/566  
11,150,683 B2 \* 10/2021 Kitazawa ..... H04B 1/02

**FOREIGN PATENT DOCUMENTS**

JP 1590605 S 11/2017

\* cited by examiner

*Primary Examiner* — Michael C Stout

*Assistant Examiner* — Melvin L Davis

(74) *Attorney, Agent, or Firm* — Quarles & Brady LLP

(57) **CLAIM**

An ornamental design for a radio control device for hobby models, as shown and described.

**DESCRIPTION**

FIG. 1 is a front view of a radio control device for hobby models;

FIG. 2 is a rear view of FIG. 1;

FIG. 3 is a top view of FIG. 1;

FIG. 4 is a bottom view of FIG. 1;

FIG. 5 is a right side view of FIG. 1;

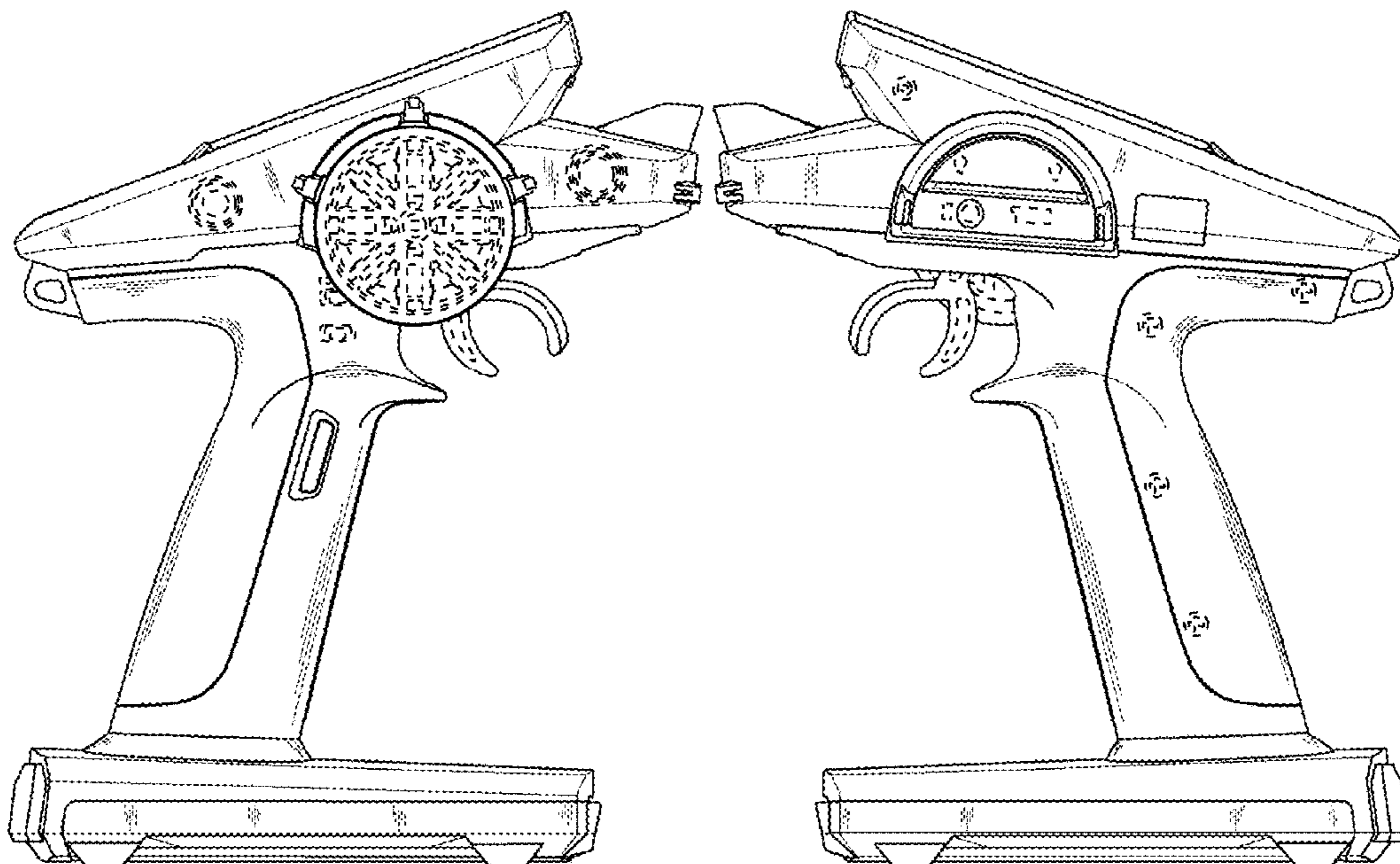
FIG. 6 is a left side view of FIG. 1;

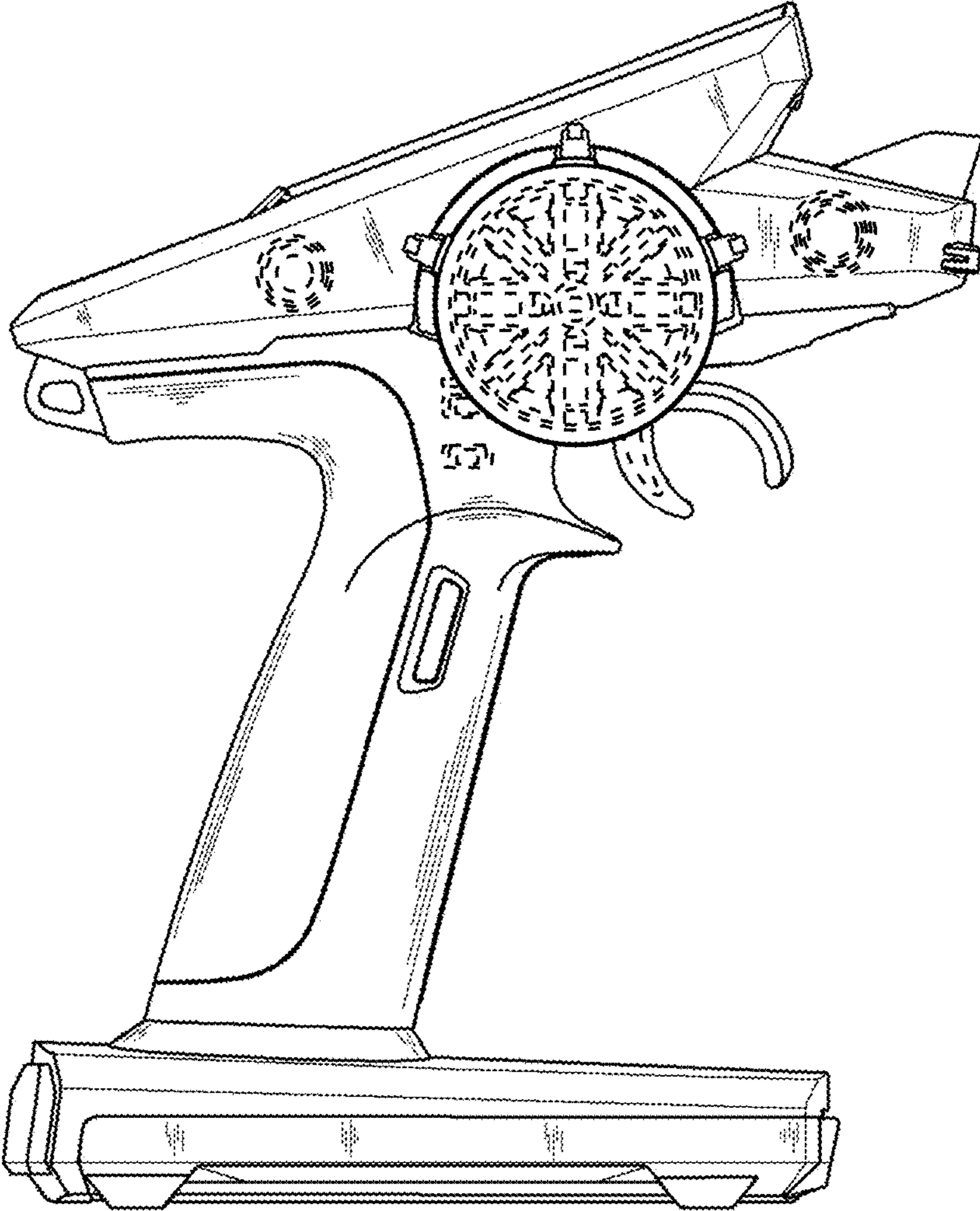
FIG. 7 is a perspective view of FIG. 1 showing the front, top, and left sides; and,

FIG. 8 is a perspective view of FIG. 1 showing the rear, top, and right sides.

The broken line showing of the remote control for hobby models is for the purpose of illustrating portions of the article that form no part of the claimed design.

**1 Claim, 8 Drawing Sheets**





**FIG. 1**

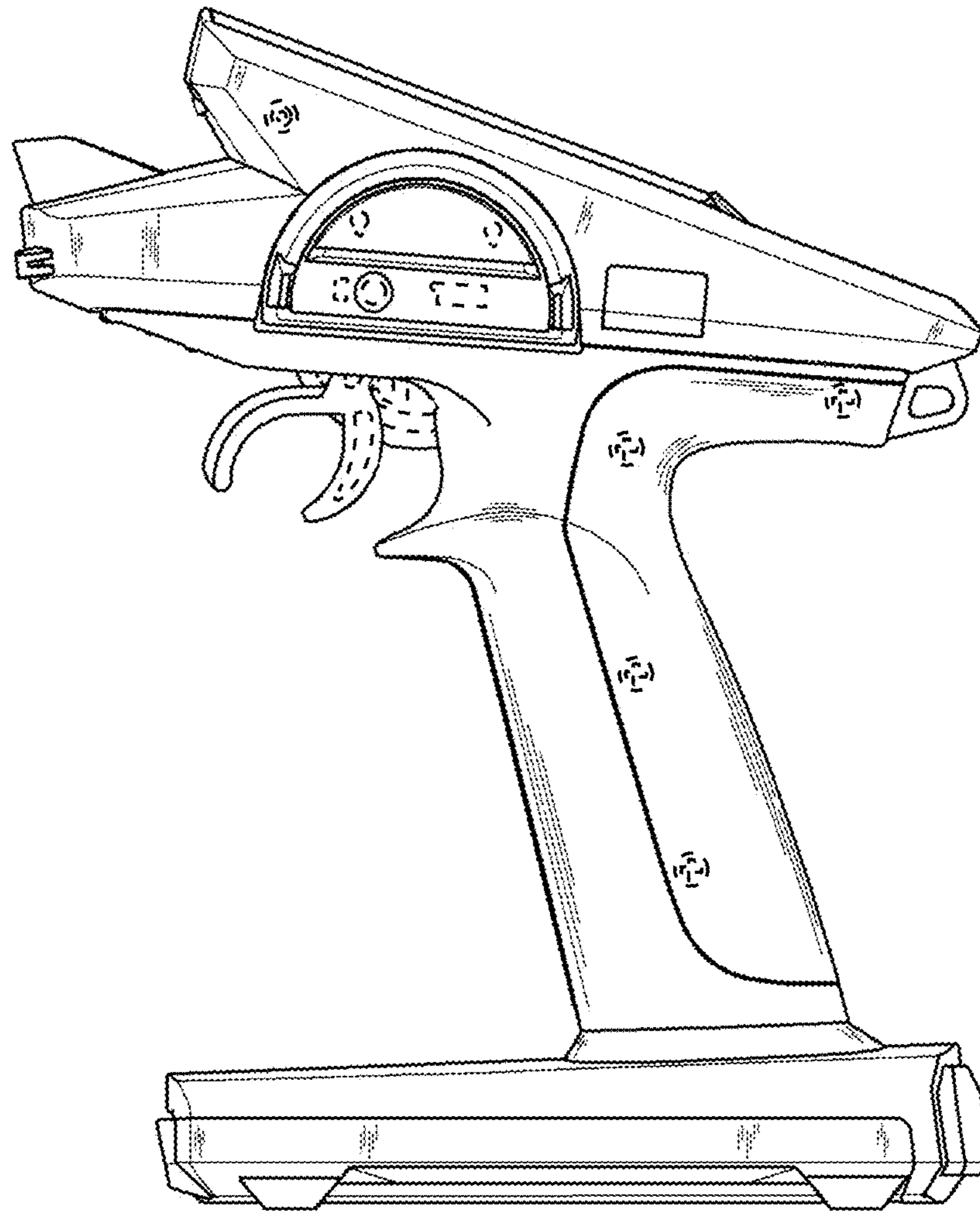
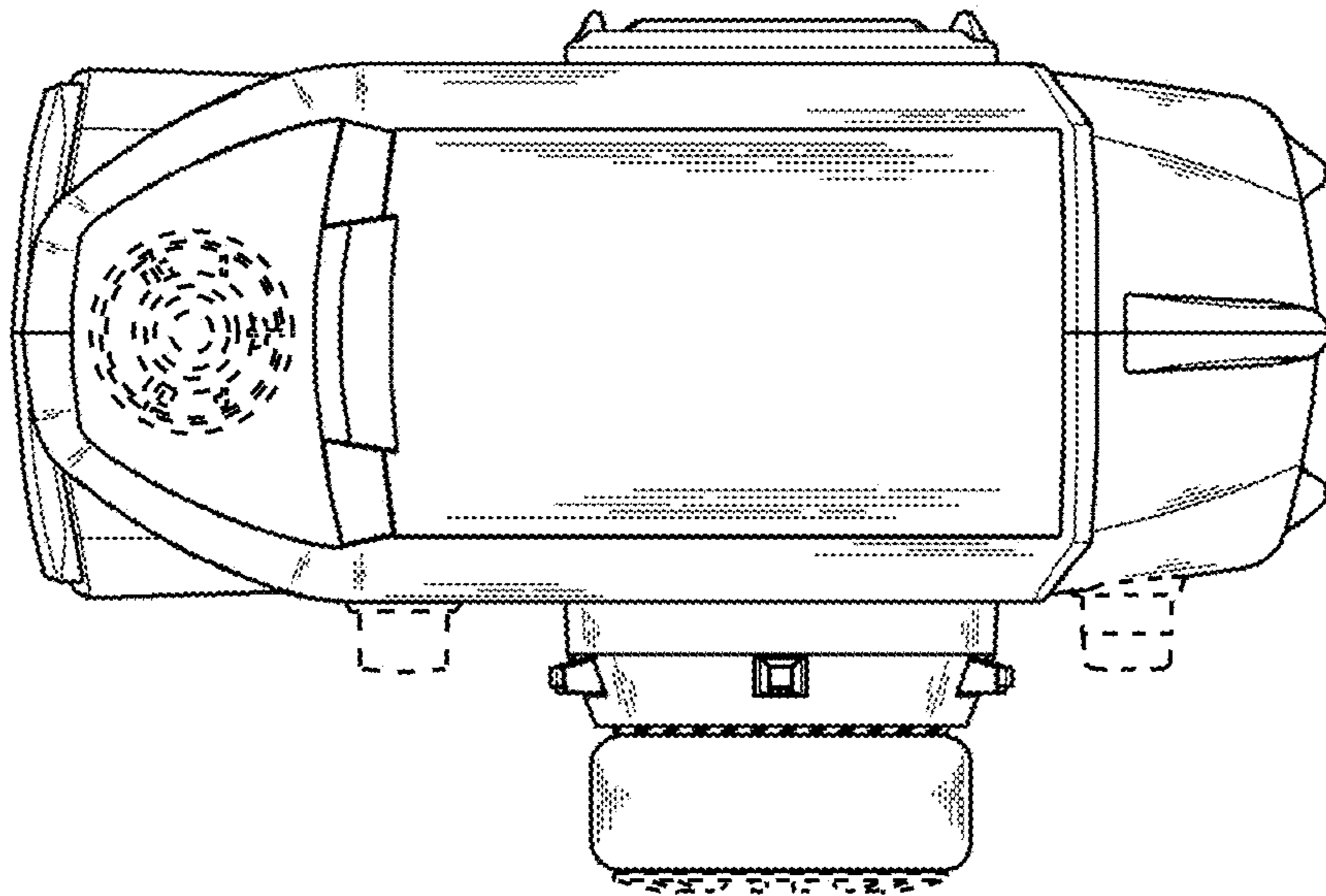
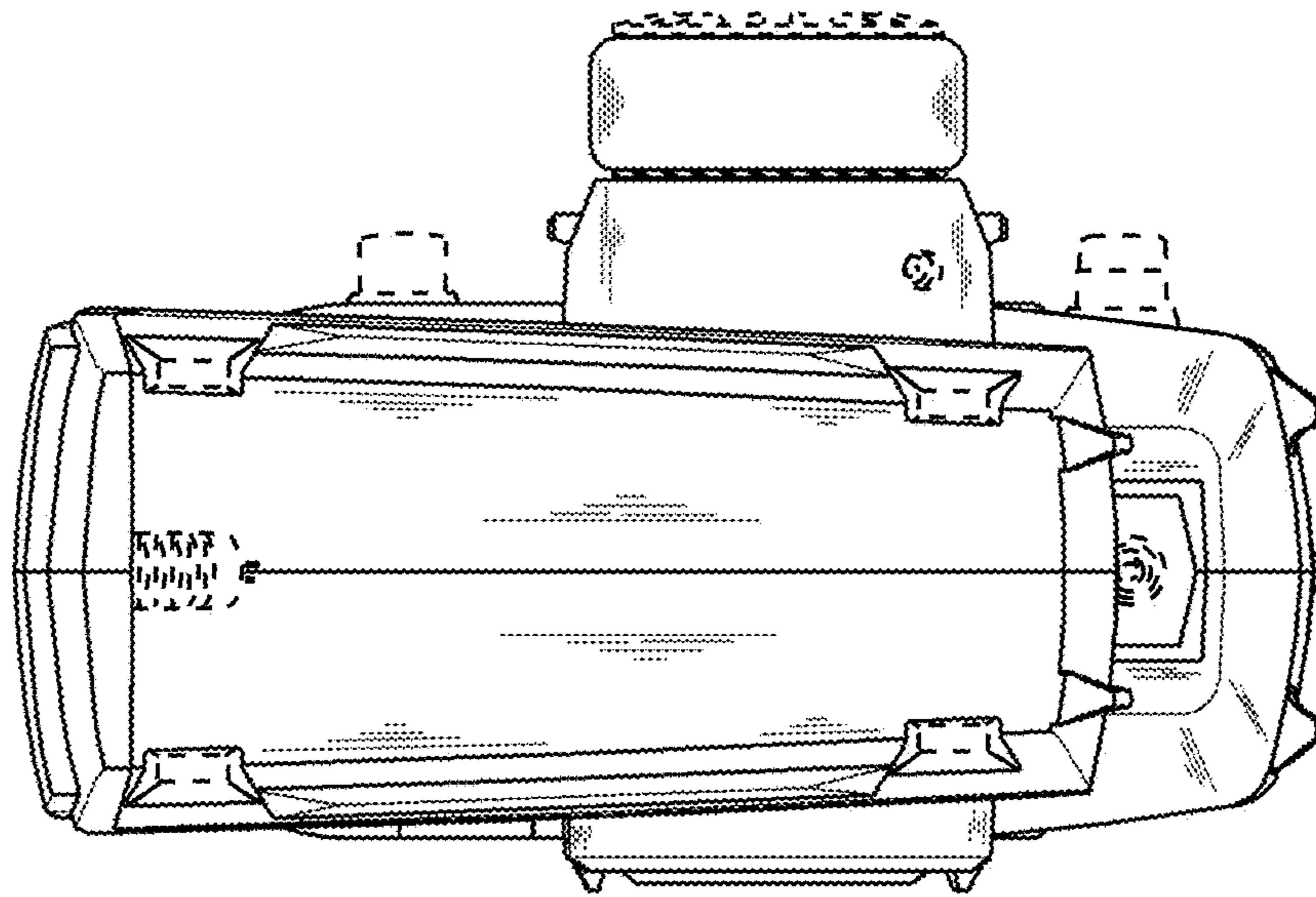


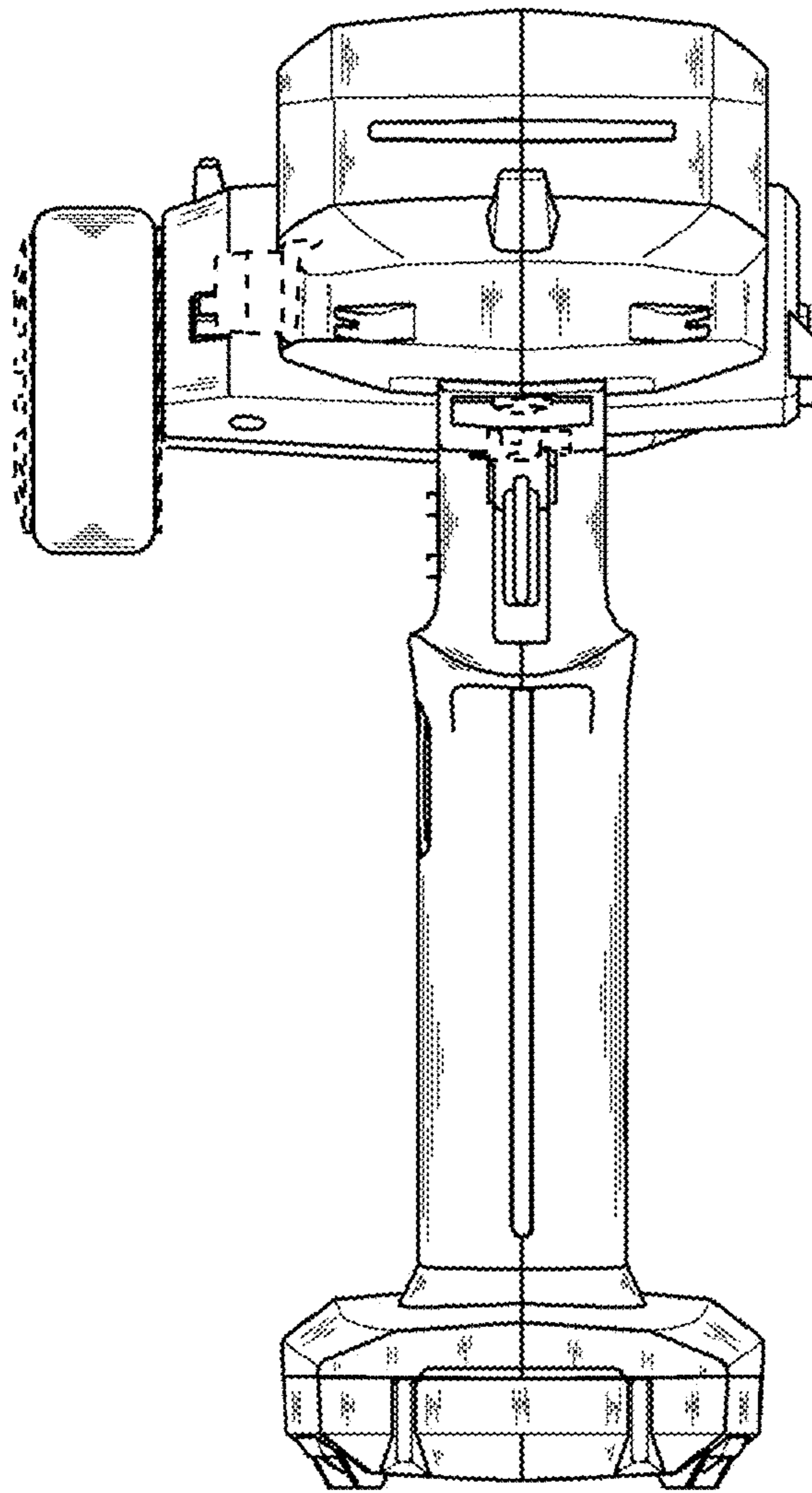
FIG. 2



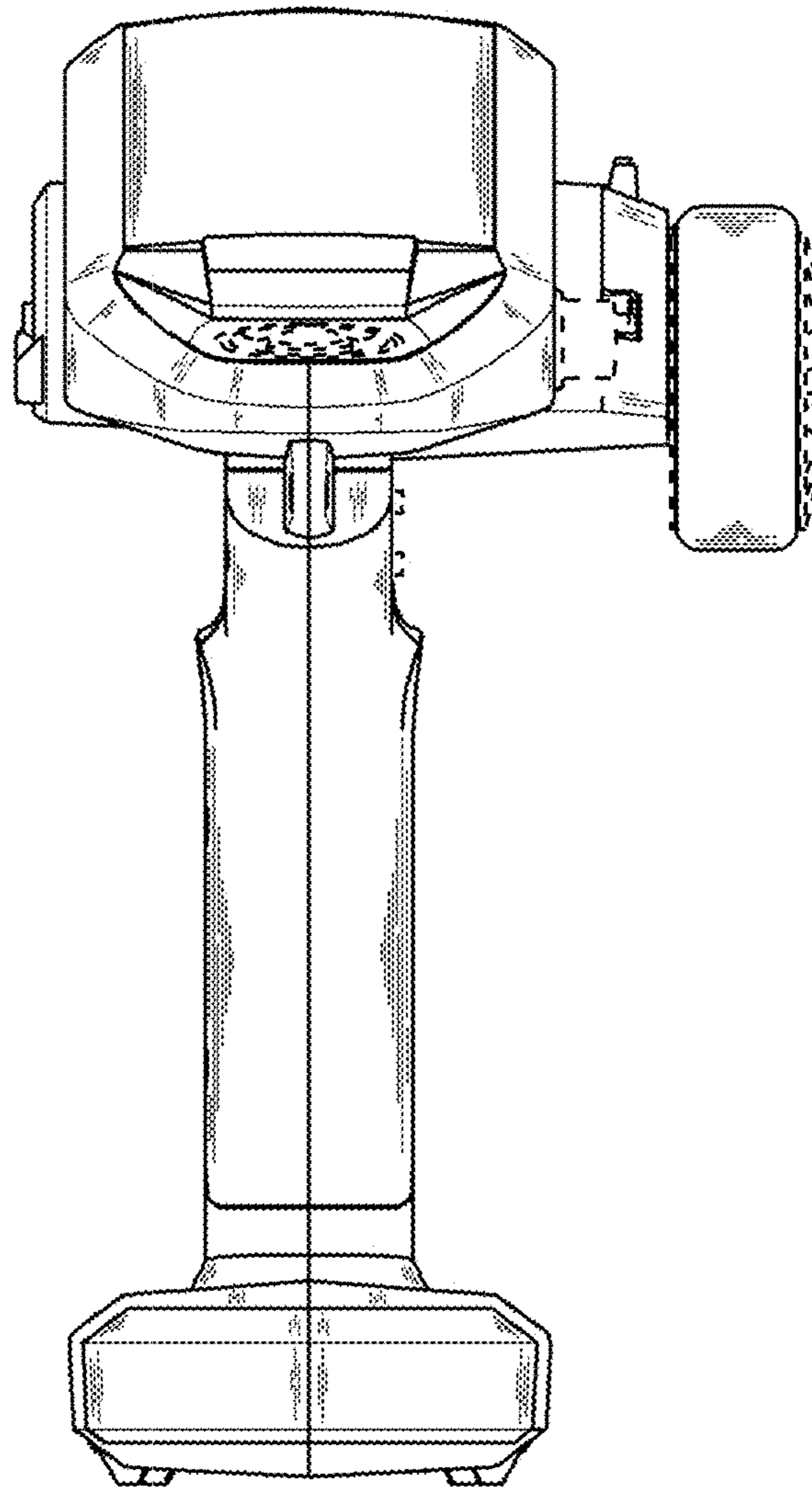
**FIG. 3**



**FIG. 4**



**FIG. 5**



**FIG. 6**

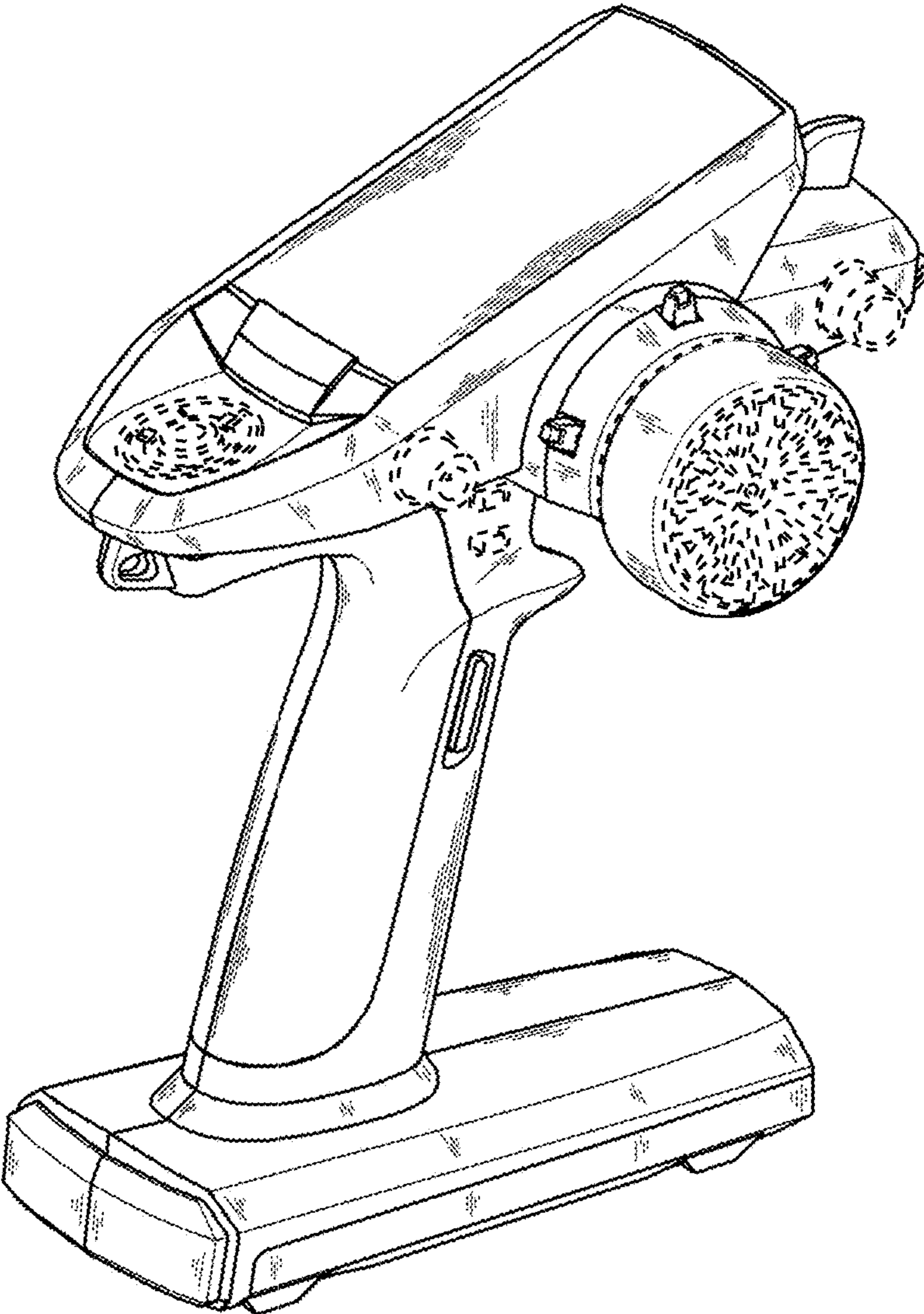
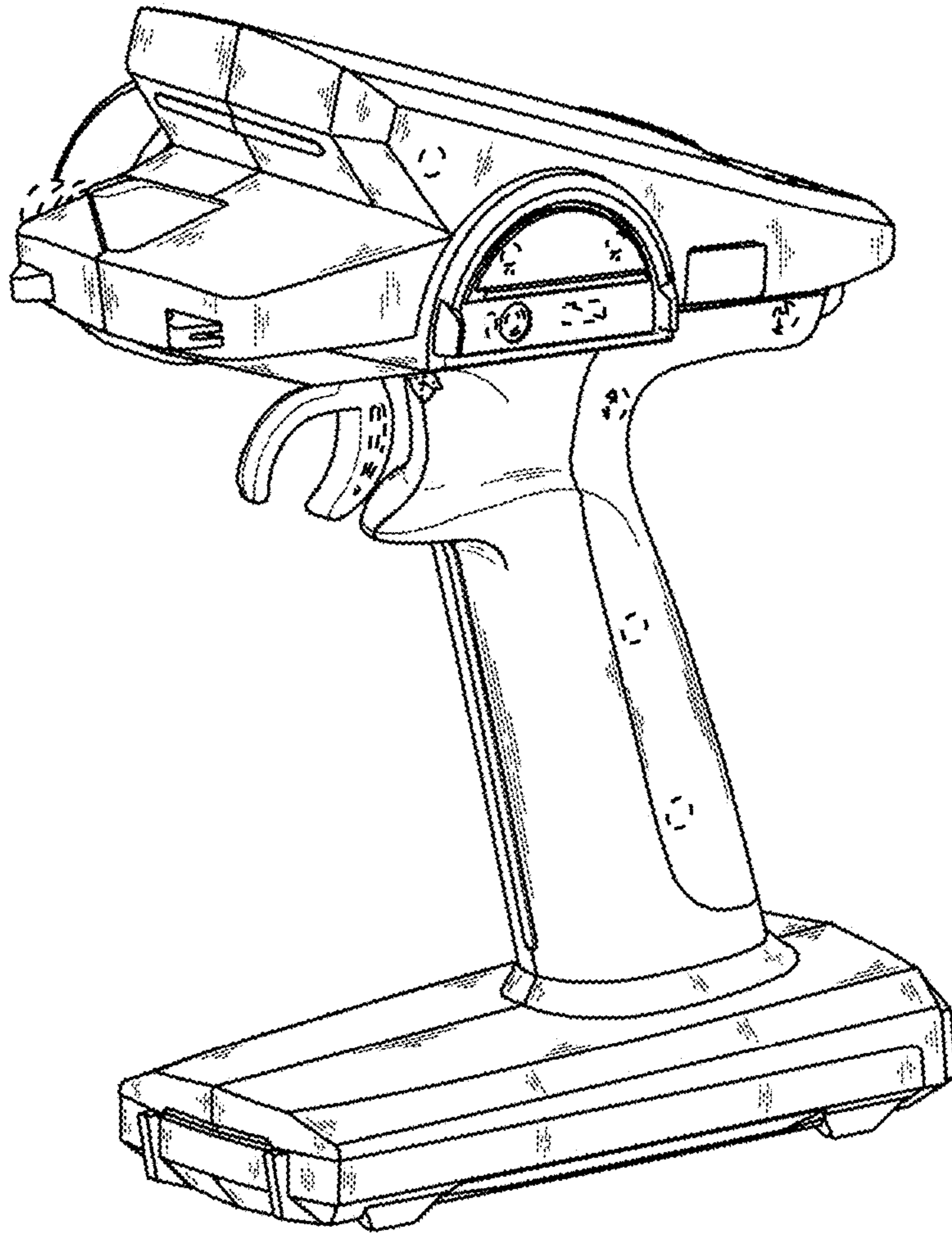


FIG. 7





**FIG. 8**