



US00D983276S

(12) **United States Design Patent**
Feng

(10) **Patent No.:** **US D983,276 S**
(45) **Date of Patent:** **** Apr. 11, 2023**

(54) **MATCHSTICKS CHILD DEVELOPMENT GAME**

(71) Applicant: **Luchen Feng**, Hockessin, DE (US)

(72) Inventor: **Luchen Feng**, Hockessin, DE (US)

(**) Term: **15 Years**

(21) Appl. No.: **29/814,852**

(22) Filed: **Nov. 9, 2021**

(51) **LOC (14) Cl.** **21-01**

(52) **U.S. Cl.**
USPC **D21/470**; D21/410

(58) **Field of Classification Search**
USPC D7/550.1, 553.4, 553.5, 553.7, 553.8, D7/555-557, 611, 701, 702, 708, 624.1, D7/357, 359, 672, 675, 677, 388, 409, D7/410; D9/758; D21/334, 338-346, D21/335-342, 350, 355-359, 365, 318, D21/377, 397, 351, 385, 386, 389, 404, D21/406, 444, 473, 475, 478, 479, D21/483-486, 489-491, 493, 494, 497, D21/499, 507, 510, 511, 512, 561; D19/86, 92, 95, 87, 113, 75, 77, 78, 80, D19/60, 59, 64, 63; D25/113-115, 118
CPC A63B 21/078; A63H 5/00; A63H 33/00; A63H 33/001; A63H 33/04; A63H 33/044; A63H 33/06; A63H 33/062; A63H 33/086; A63H 33/088; A63H 33/10; A63H 33/101; A63H 33/108; A63H 33/12; A63F 3/00214; A63F 3/00533; A63F 3/00574; A63F 3/00697; A63F 3/0415; A63F 3/06; A63F 3/062; A63F 3/0625; A63F 3/0635; A63F 3/0695; A63F 2003/00258; A63F 2003/00394; A63F 2003/00397; A63F 2003/004; A63F 2003/00457; A63F 2003/00504; A63F 2003/0418; A63F 3/00;

(Continued)

(56) **References Cited**

U.S. PATENT DOCUMENTS

1,291,495 A * 1/1919 Harburger A63H 33/00
D21/470
D145,504 S * 9/1946 Beder D21/470
(Continued)

OTHER PUBLICATIONS

“Nanayo 4-for-1 Play Kit”, Oct. 13, 2021, Amazon, site visited Sep. 27, 2022: <https://amzn.to/3rg3AJA> (Year: 2021).*

(Continued)

Primary Examiner — Jack Reickel

Assistant Examiner — Salamah Jordan

(74) *Attorney, Agent, or Firm* — QuickPatents, LLC; Kevin Prince

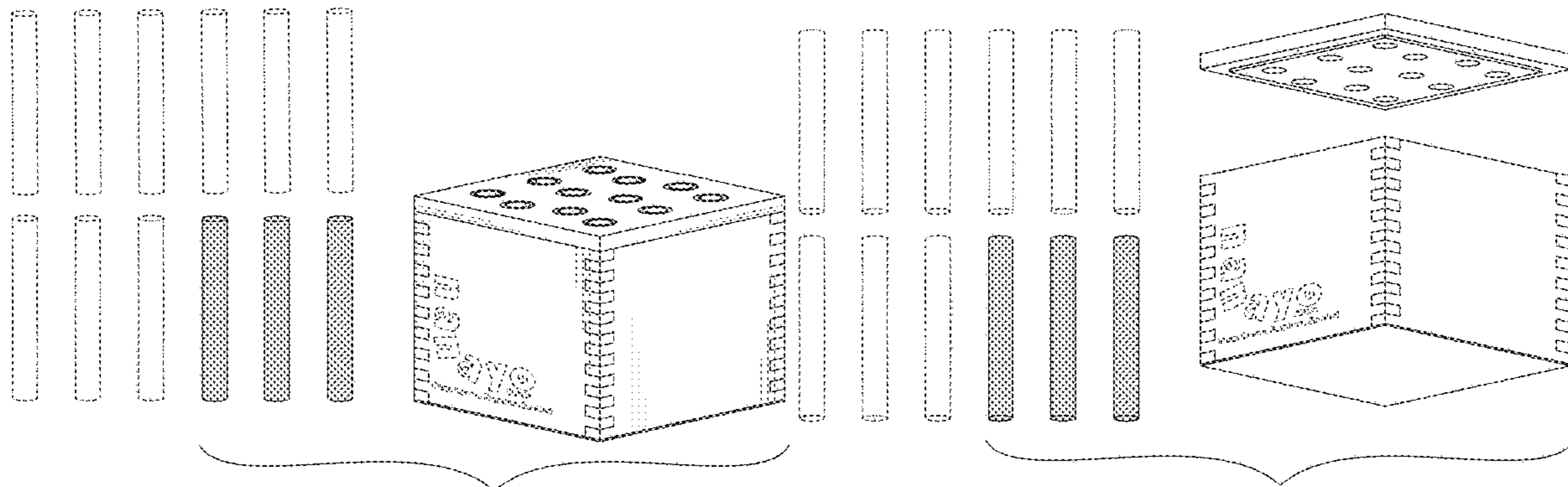
(57) **CLAIM**

The ornamental design for a matchsticks child development game, as shown and described.

DESCRIPTION

FIG. 1 is a perspective view of a matchsticks child development game, showing my new design;
FIG. 2 is an exploded perspective view thereof;
FIG. 3 is an exploded bottom perspective view thereof;
FIG. 4 is a front elevational view thereof;
FIG. 5 is a rear elevational view thereof;
FIG. 6 is a left-side elevational view thereof, the right-side elevational view being a mirror image thereof;
FIG. 7 is a top plan view thereof; and,
FIG. 8 is a bottom plan view thereof.
The broken line showing of a logo in FIG. 1-4, additional matchsticks, and portions of a child development game is included for the purpose of illustrating portions of the article and forms no part of the claimed design. The design is shaded for color showing one each of a green, blue, and

(Continued)



red-or-pink matchstick, and blue, green, orange, red-or-pink, violet-or-purple, and yellow-or-gold rings on the top of the game.

1 Claim, 8 Drawing Sheets

(58) Field of Classification Search

CPC A63F 3/00003; A63F 3/00028; A63F 3/00041; A63F 3/00044; A63F 3/00047; A63F 3/00173; A63F 3/00176; A63F 3/00261; A63F 3/00643; A63F 3/00646-00659; A63F 3/04; A63F 3/00097; A63F 3/0434

See application file for complete search history.

(56) References Cited

U.S. PATENT DOCUMENTS

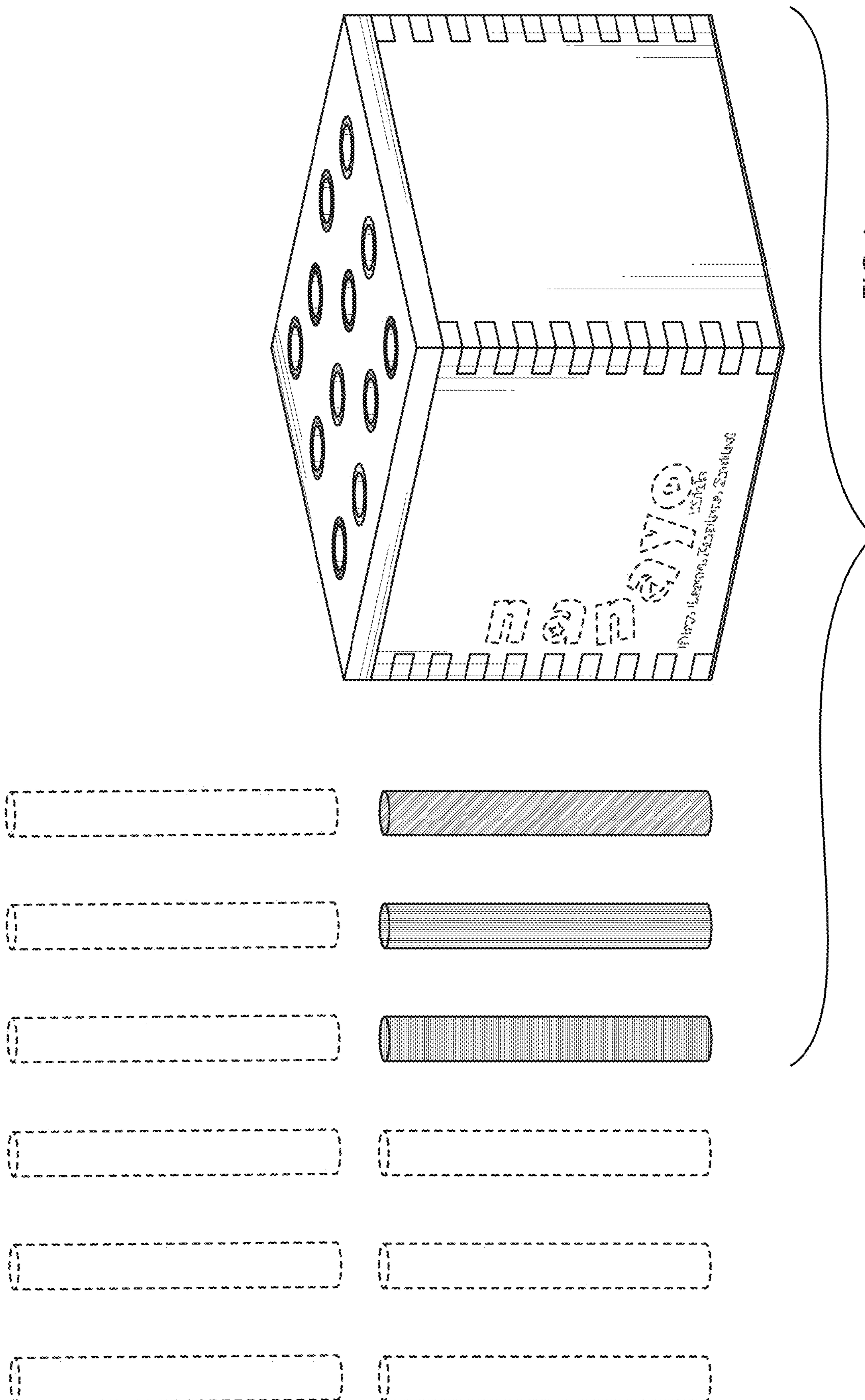
D147,340 S * 8/1947 Larsen D21/470
 D153,560 S * 4/1949 Satterthwaite D21/470
 2,911,740 A 11/1959 Miller
 D197,656 S * 3/1964 Markham D21/470
 D223,847 S * 6/1972 Laughlin et al. D21/470
 4,149,717 A 4/1979 Seijiro
 4,353,701 A 10/1982 Greenberg
 D269,289 S 6/1983 Nakao
 D273,688 S * 5/1984 Rocco 273/288
 D296,451 S 6/1988 Ming
 4,846,692 A 7/1989 Delcambre
 D319,082 S 8/1991 Harris
 D343,427 S * 1/1994 Sher 446/128
 D349,135 S * 7/1994 Strayer D21/470
 D351,425 S * 10/1994 Seiler D21/337
 D380,240 S 6/1997 Johnson, Jr.
 5,674,103 A * 10/1997 Bean A63F 9/0666
 220/4.03
 D422,034 S 3/2000 Yamazaki

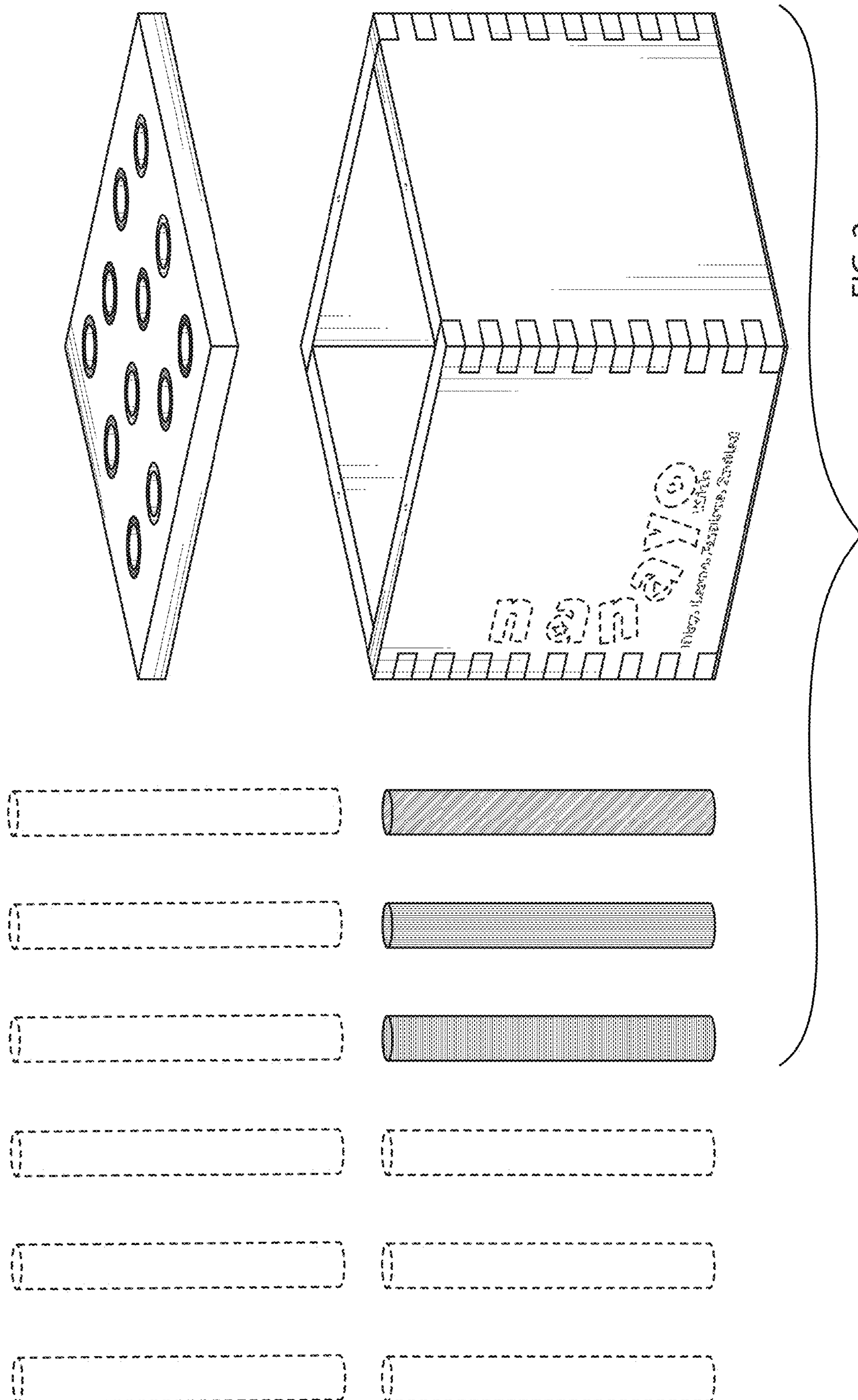
D446,826 S 8/2001 Dunn
 D512,108 S * 11/2005 Lin D21/499
 D560,256 S * 1/2008 Webster D21/499
 D560,257 S 1/2008 Webster
 D630,616 S * 1/2011 Vex D17/99
 D643,474 S 8/2011 Spencer
 D717,883 S * 11/2014 Chase D21/470
 9,713,776 B1 7/2017 Leung
 D795,969 S * 8/2017 Wallace D21/499
 D807,967 S 1/2018 Kaplancali
 D818,055 S 5/2018 Xie
 D845,400 S * 4/2019 MacArthur D21/501
 D847,269 S 4/2019 Leung
 D870,822 S 12/2019 Lyons
 D903,781 S * 12/2020 Jang D21/499
 D921,127 S * 6/2021 Kendall D21/499
 D933,756 S * 10/2021 Ginman D21/501
 D933,137 S 12/2021 Ginman
 D938,526 S * 12/2021 Zhang D21/475
 D957,536 S * 7/2022 Zhang D21/410
 D975,782 S * 1/2023 Huang D21/410
 2004/0259466 A1 * 12/2004 Maxwell A63H 33/042
 446/487
 2006/0093995 A1 * 5/2006 Brown G09B 1/36
 434/171
 2007/0235934 A1 * 10/2007 Krejcik A63F 3/00574
 273/281
 2011/0133407 A1 6/2011 Kim
 2021/0077899 A1 3/2021 Tatonetti

OTHER PUBLICATIONS

“The Babblers Play Kit” Oct. 30, 2020, Youtube, site visited Sep. 27, 2022: <https://www.youtube.com/watch?v=2RanlAlvQsM> (Year: 2020).*
 “How to make object permanence box easy /DIY Ideas” Dec. 28, 2019, Youtube, site visited Sep. 27, 2022: <https://www.youtube.com/watch?v=JxMJMai3dkE> (Year: 2019).*
 “Lovevery “The Babblers” Playkit 13, 14, 15 months”, Aug. 14, 2020, Youtube, site visited Feb. 20, 2023: <https://www.youtube.com/watch?v=Xtj91PGucus> (Year: 2020).*

* cited by examiner





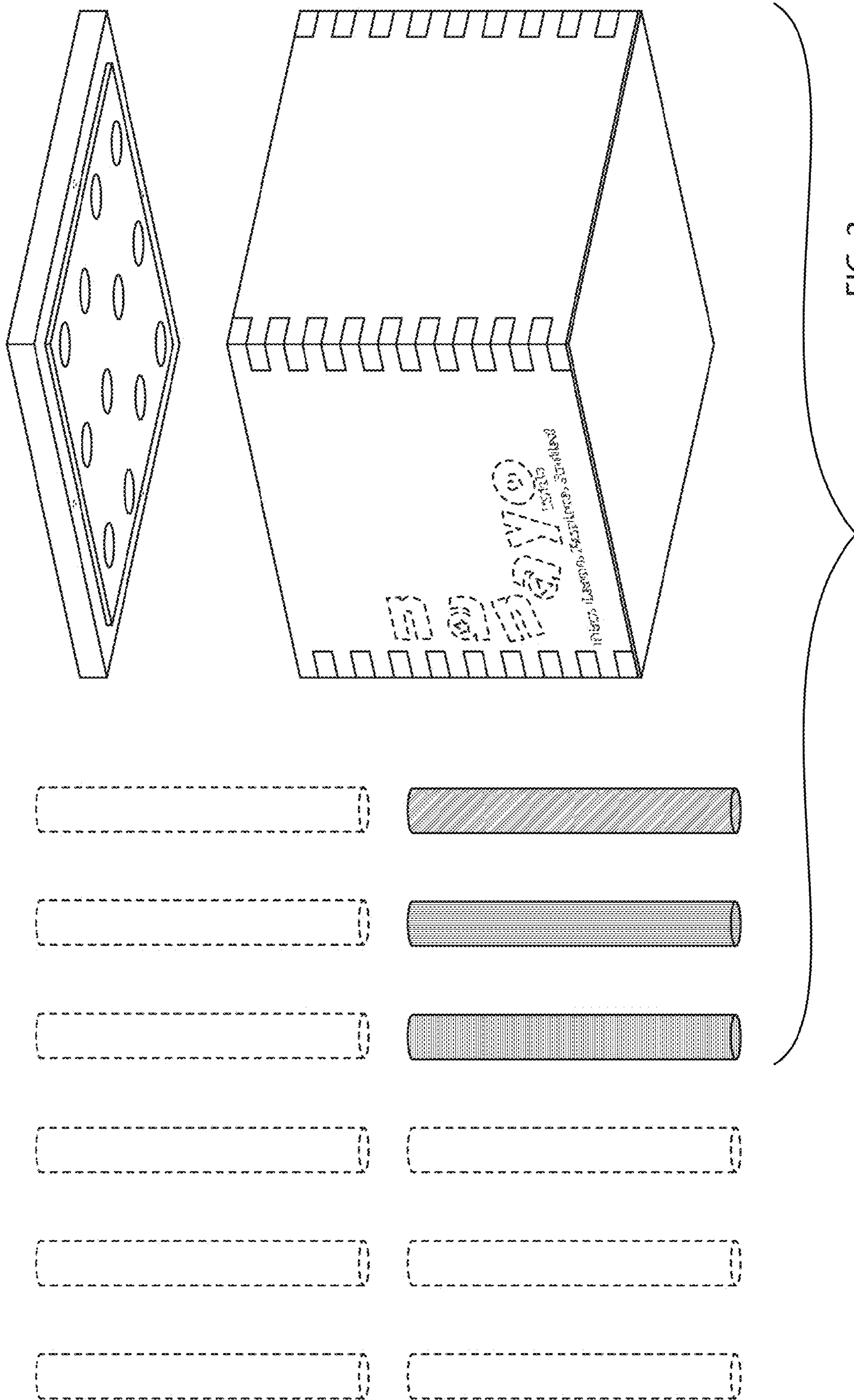


FIG. 3

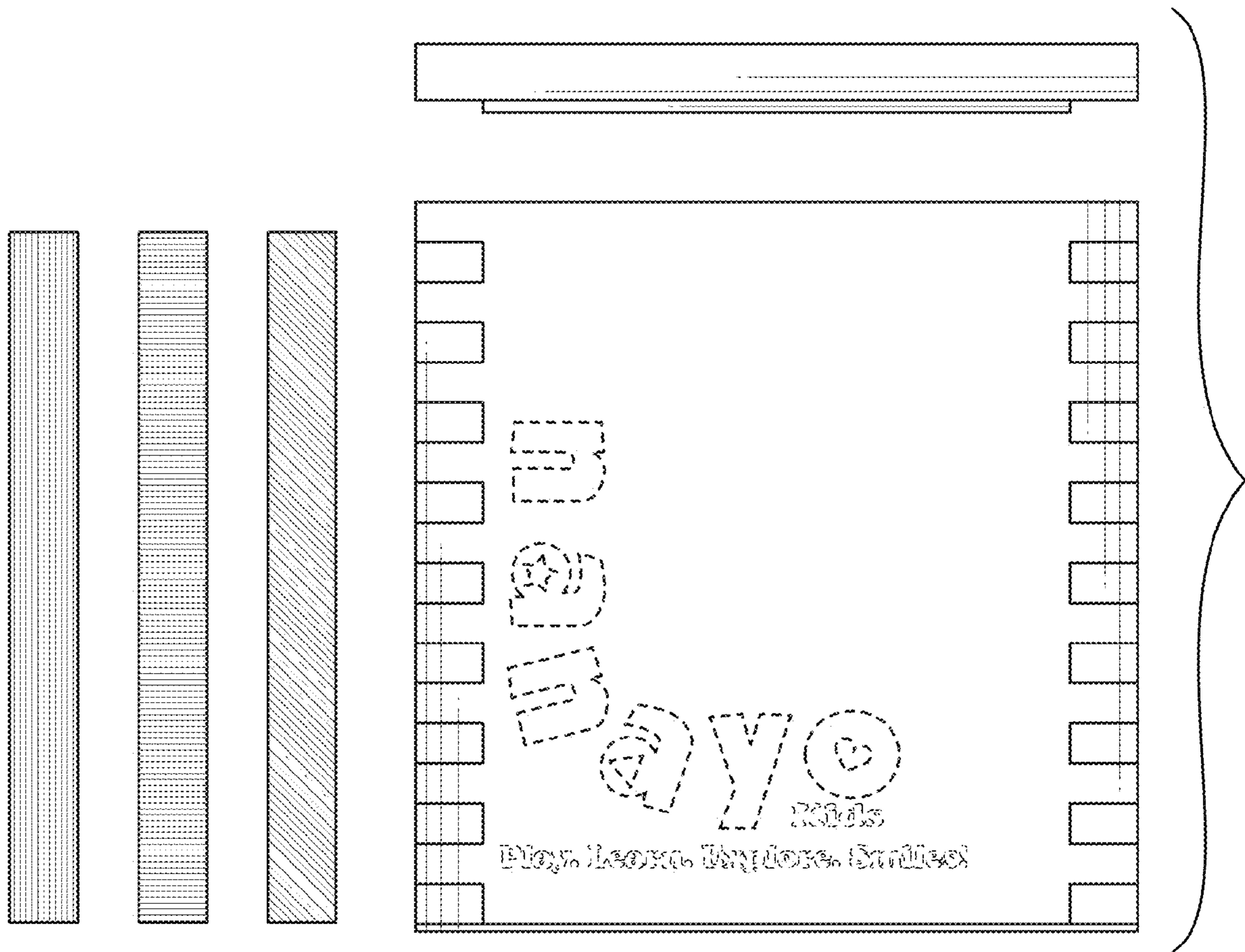


FIG. 4

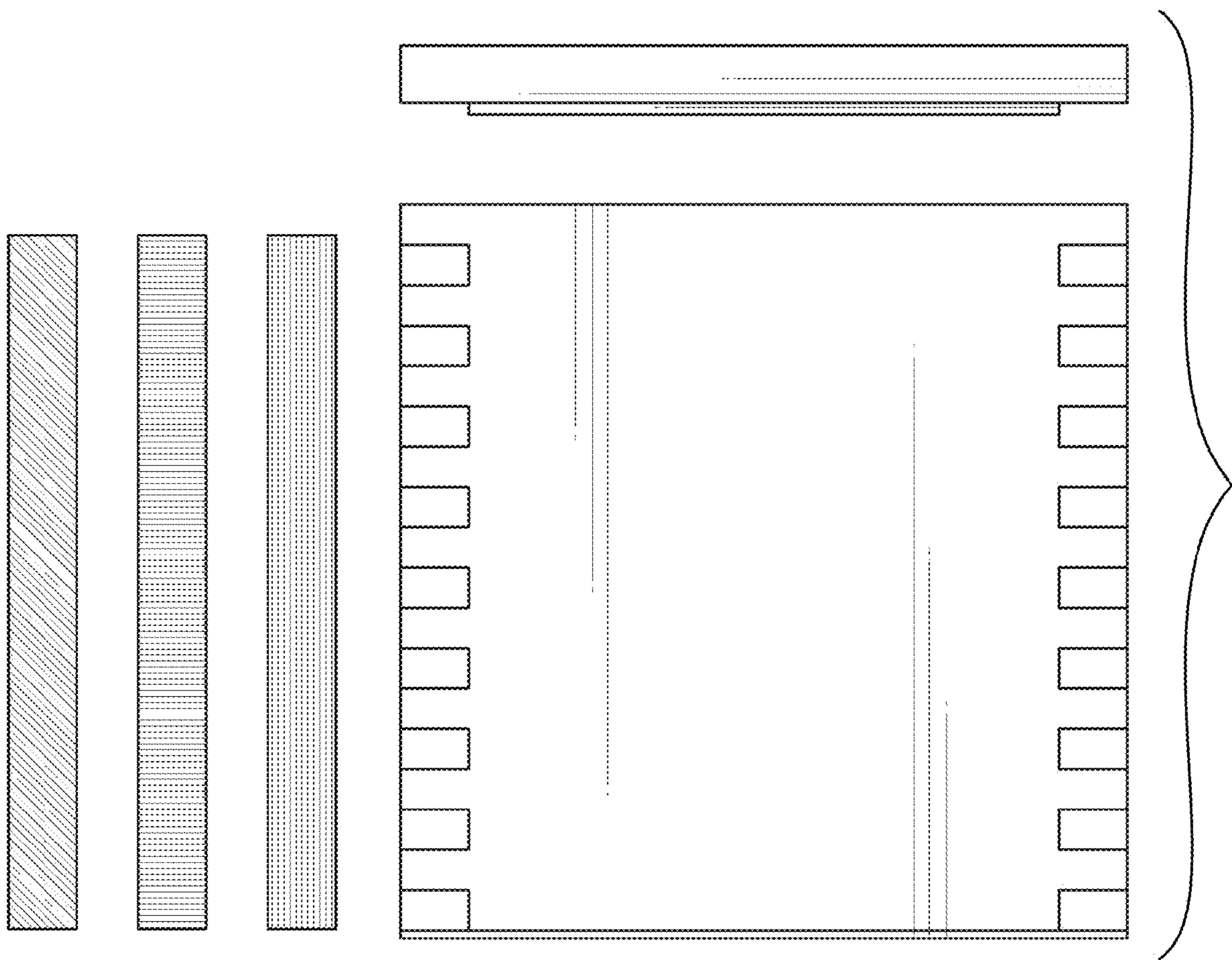


FIG. 5

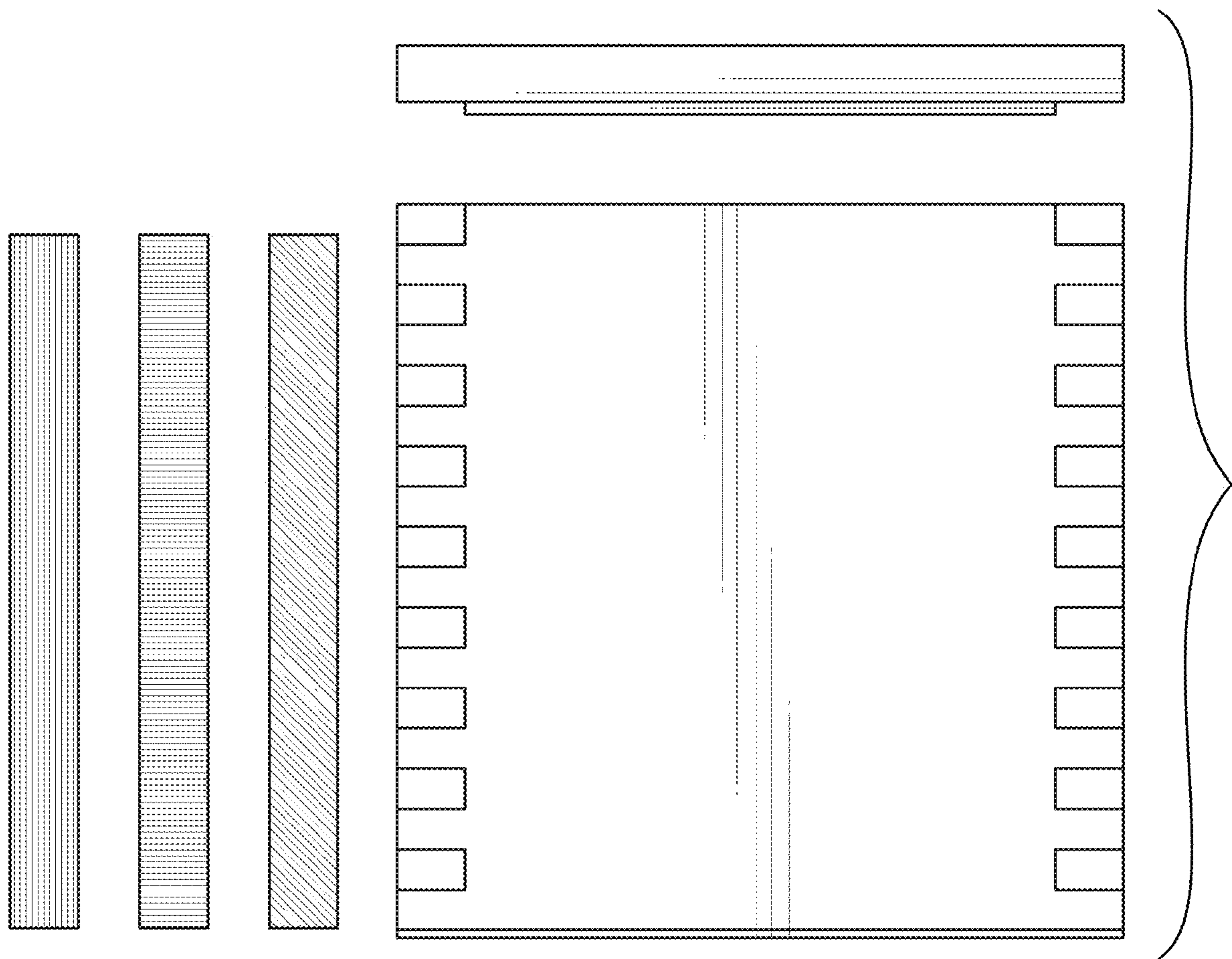


FIG. 6

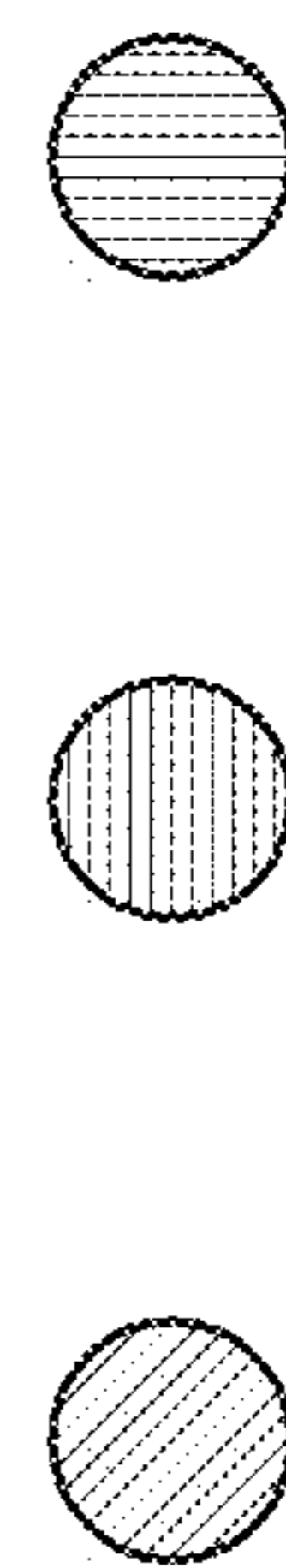
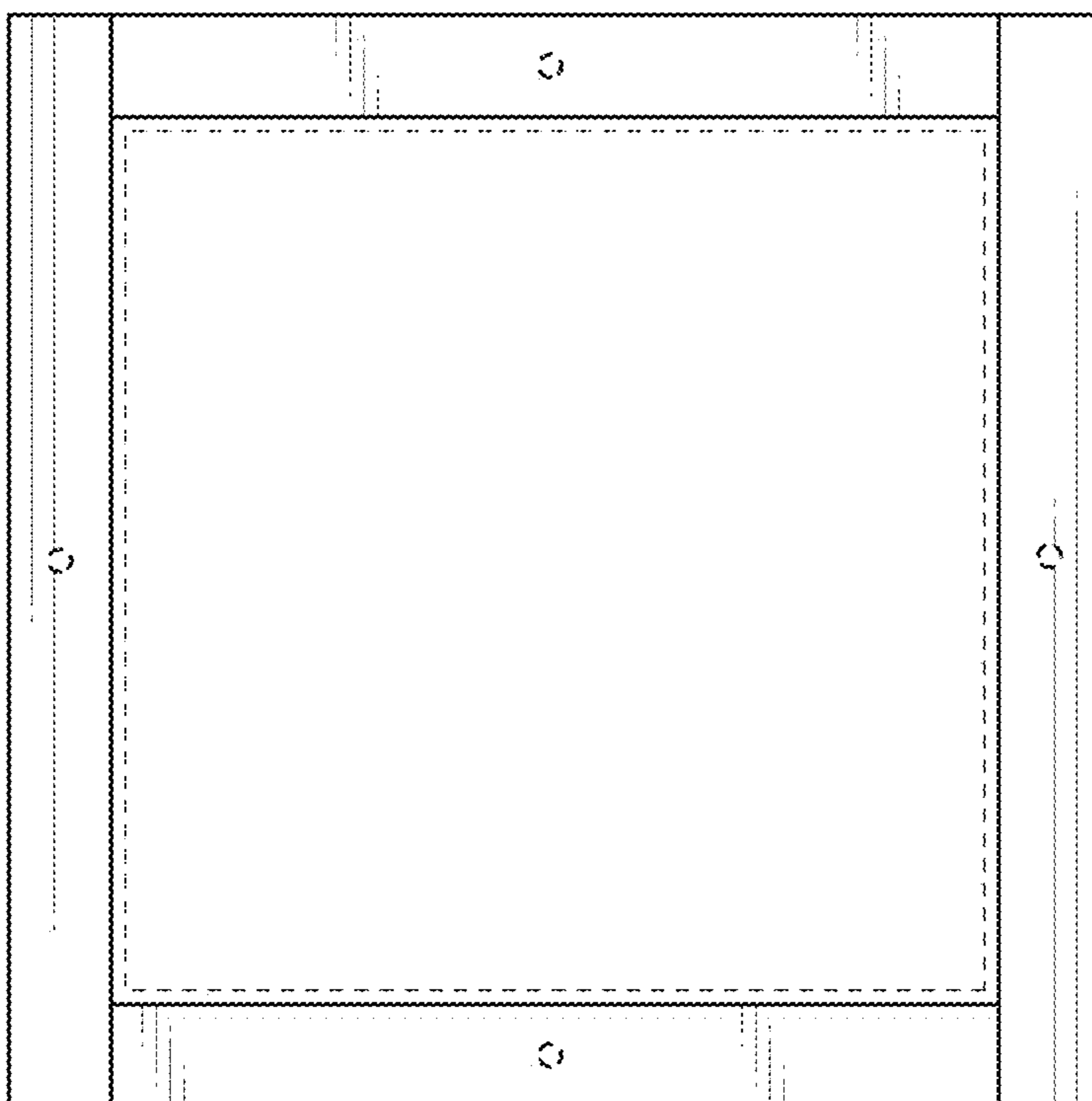
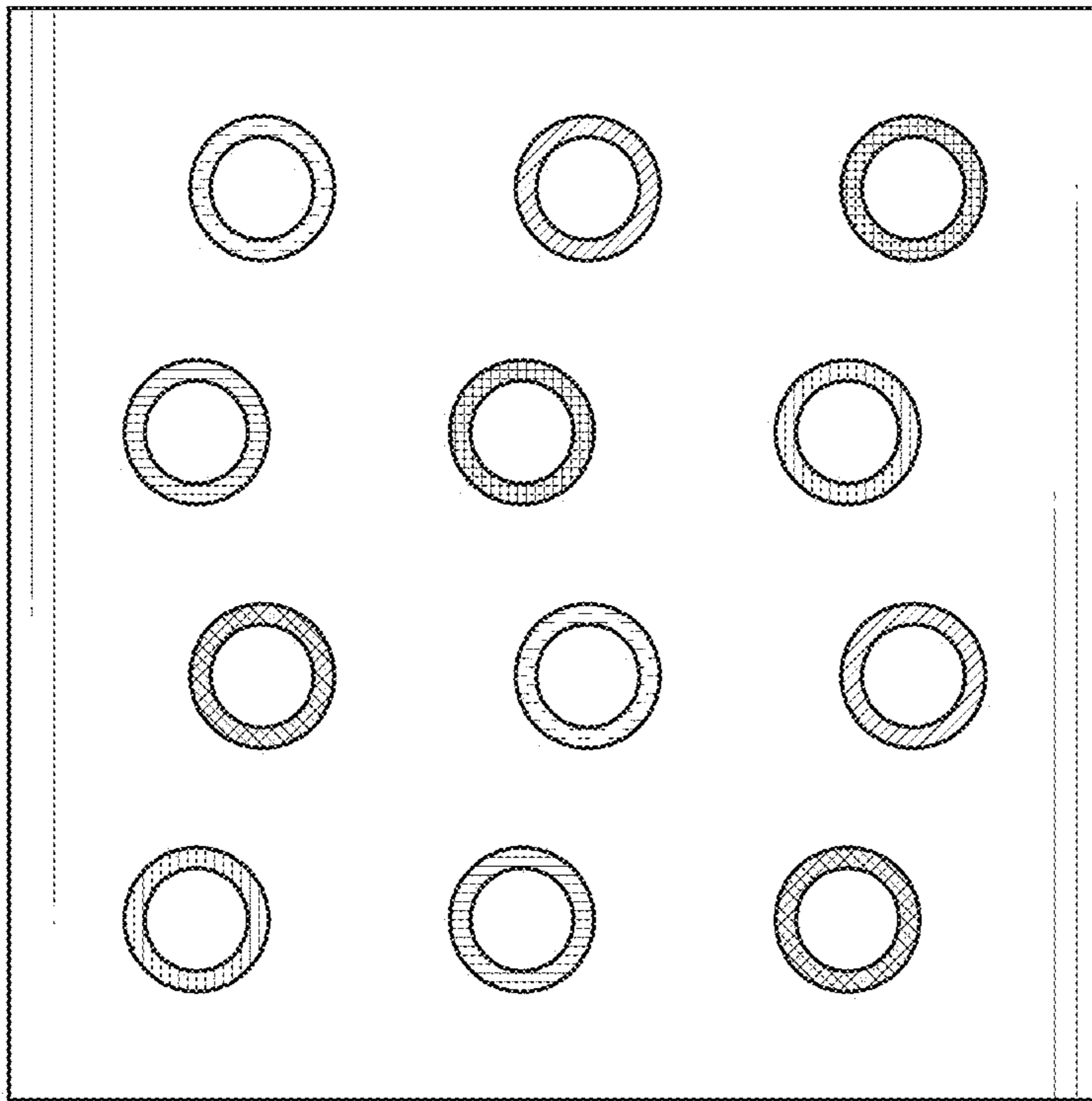


FIG. 7

