



US00D983271S

(12) **United States Design Patent**
Lv

(10) **Patent No.:** **US D983,271 S**
(45) **Date of Patent:** **** Apr. 11, 2023**

(54) **ACCESSORY FOR GAME CONTROLLER**

(71) Applicant: **Shenzhen 1km Technology Co. LTD,**
Shenzhen (CN)

(72) Inventor: **Kunjiang Lv,** Shenzhen (CN)

(73) Assignee: **SHENZHEN 1KM TECHNOLOGY**
CO. LTD, Shenzhen (CN)

(**) Term: **15 Years**

(21) Appl. No.: **29/841,875**

(22) Filed: **Jun. 9, 2022**

(51) **LOC (14) Cl.** **21-01**

(52) **U.S. Cl.**
USPC **D21/333**

(58) **Field of Classification Search**
USPC D21/324, 332-337, 566, 572-574, 328;
D14/217, 218, 356, 387, 388, 389, 400,
D14/401, 415, 418, 426-431, 443, 447,
D14/449, 450, 454, 455, 471, 474, 483,
D14/496, 511; D13/164, 168
CPC .. A63F 9/02; A63F 9/24; A63F 9/0291; A63F
9/0252; A63F 13/00; A63F 13/23; A63F
13/24; A63F 13/26; A63F 13/98; A63F
13/02; A63F 13/12; A63F 9/00; A63F
2300/00; A63F 2300/1031
See application file for complete search history.

(56) **References Cited**

U.S. PATENT DOCUMENTS

D810,202 S *	2/2018	Foster	D14/401
9,895,606 B1 *	2/2018	Kamata	A63F 13/235
D815,211 S *	4/2018	Buller	D21/333
D819,642 S *	6/2018	Ehara	D14/401
D819,696 S *	6/2018	Ehara	D14/203.7
D826,949 S	8/2018	Ehara et al.		
D837,299 S	1/2019	Ehara et al.		
D863,448 S *	10/2019	Ehara	D21/333

D870,207 S *	12/2019	Ali	D21/333
D875,178 S *	2/2020	Ehara	D21/333
D875,180 S *	2/2020	Wang	D21/333
D875,835 S *	2/2020	Yamamoto	D21/333
D875,836 S *	2/2020	Ehara	D21/333
D875,837 S *	2/2020	Ehara	D21/333
D876,550 S *	2/2020	Ehara	D21/333
D878,474 S *	3/2020	Ehara	D21/333
D882,693 S *	4/2020	Ehara	D21/333
D884,796 S *	5/2020	Zhou	D14/401
D912,153 S *	3/2021	Ehara	D14/401
D912,155 S *	3/2021	Yang	D21/333
D928,884 S *	8/2021	Zhou	D21/333

(Continued)

Primary Examiner — Mehri F Bajoul

(74) *Attorney, Agent, or Firm* — Andrew C. Cheng

(57) **CLAIM**

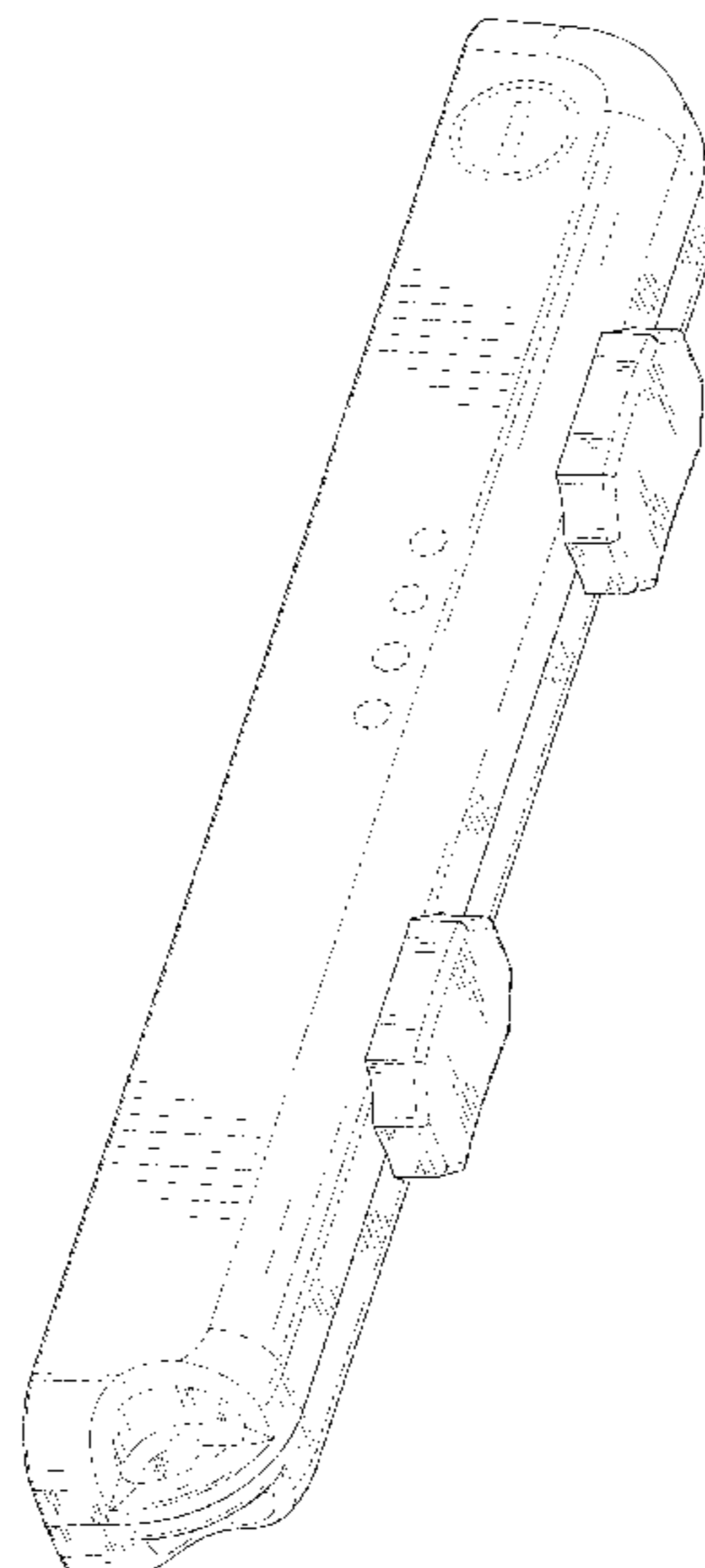
The ornamental design for an accessory for game controller, as shown and described.

DESCRIPTION

FIG. 1 is a perspective view of an accessory for game controller showing my new design; FIG. 2 is another perspective view thereof; FIG. 3 is a front elevational view thereof; FIG. 4 is a rear elevational view thereof; FIG. 5 is a left side elevational view thereof; FIG. 6 is a right side elevational view thereof; FIG. 7 is a top plan view thereof; FIG. 8 is a bottom plan view thereof; FIG. 9 is a perspective view of the game controller shown in a first configuration of use; and, FIG. 10 is a perspective view of the game controller shown in a second configuration of use.

The dash-dash broken lines in the drawings depict portions of the accessory for game controller that form no part of the claimed design. The dot-dot-dash broken lines in the drawings depict environmental structures that form no part of the claimed design.

1 Claim, 10 Drawing Sheets



(56)

References Cited

U.S. PATENT DOCUMENTS

D953,435 S *	5/2022	Hu	D14/401
D953,436 S *	5/2022	Hu	D21/333
D953,437 S *	5/2022	Hu	D21/333
D954,151 S *	6/2022	Lv	D21/333
D955,388 S *	6/2022	Zhou	D14/401

* cited by examiner

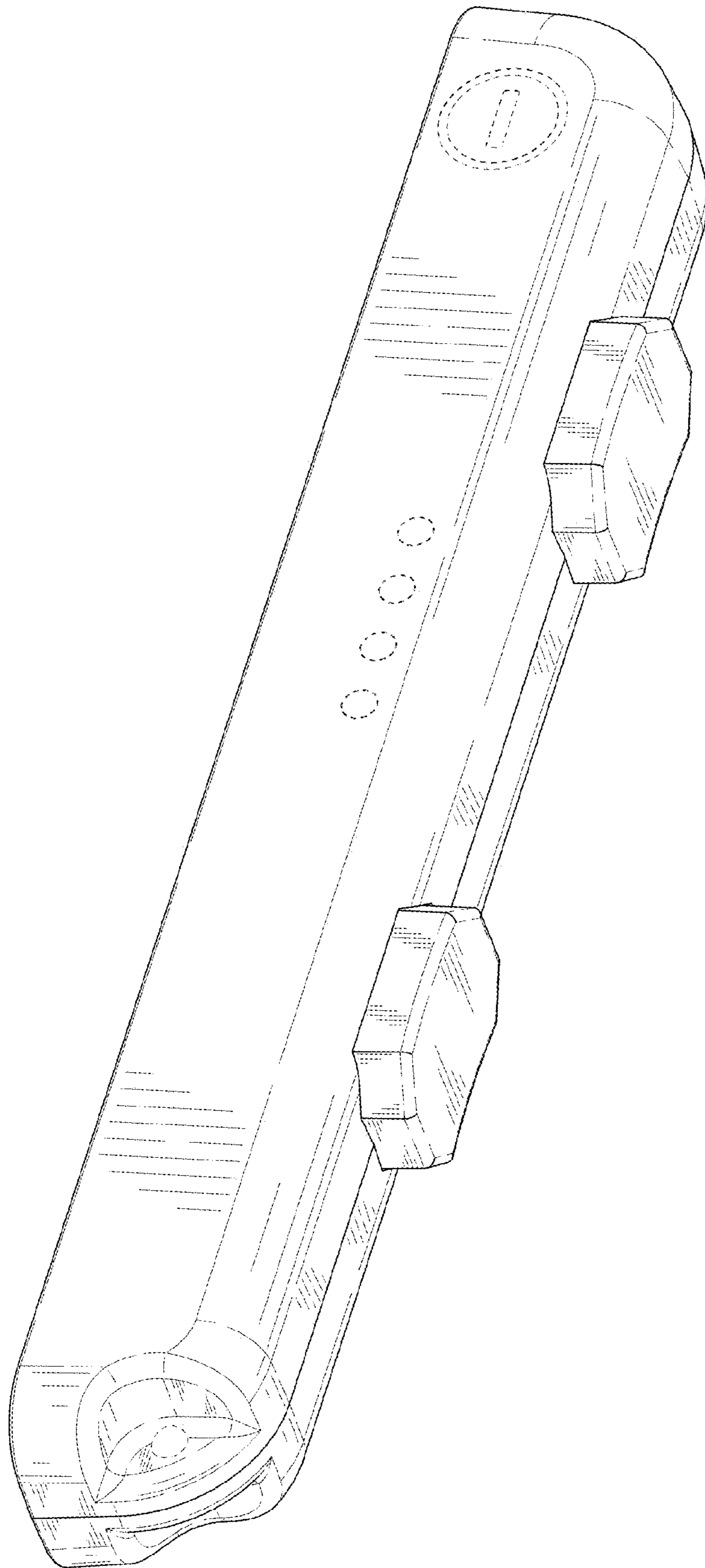


FIG. 1

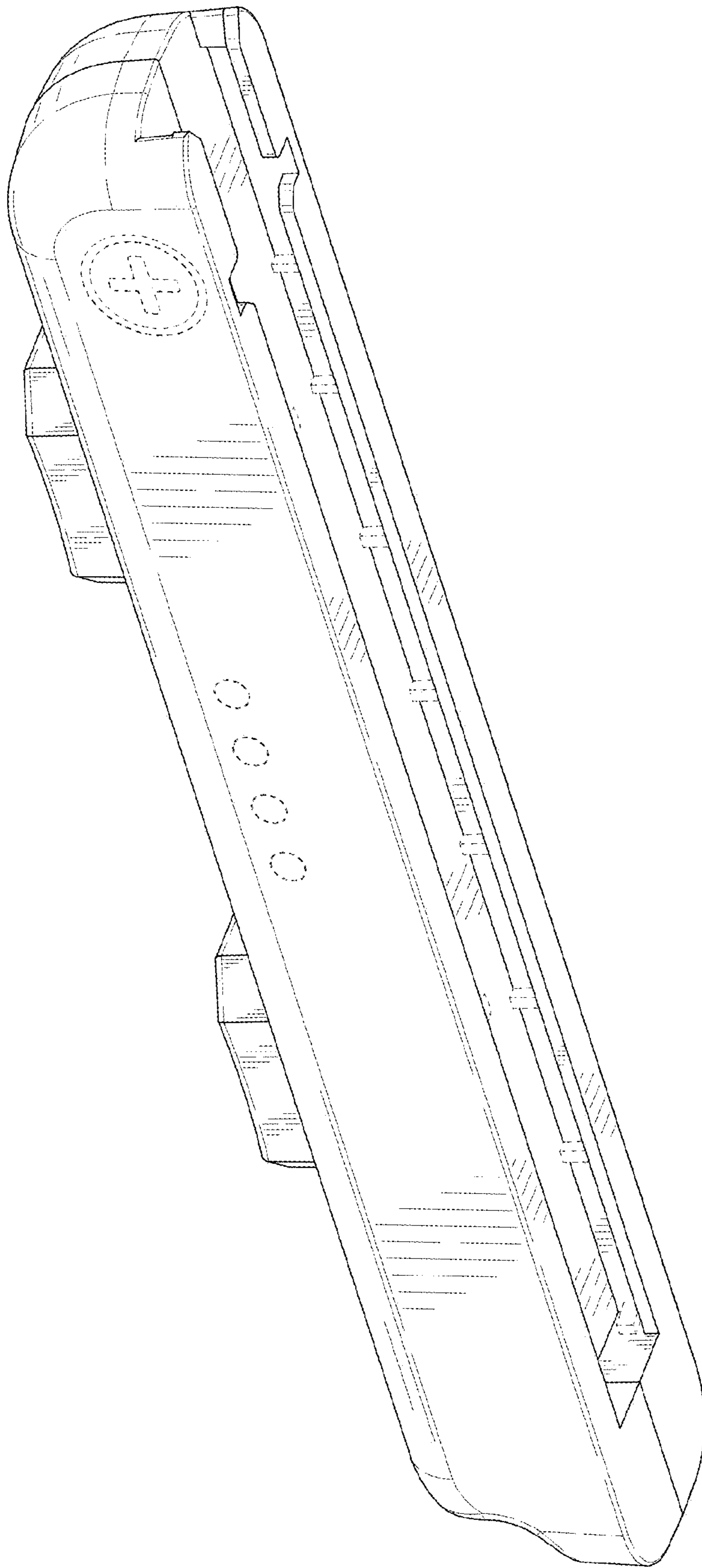


FIG. 2

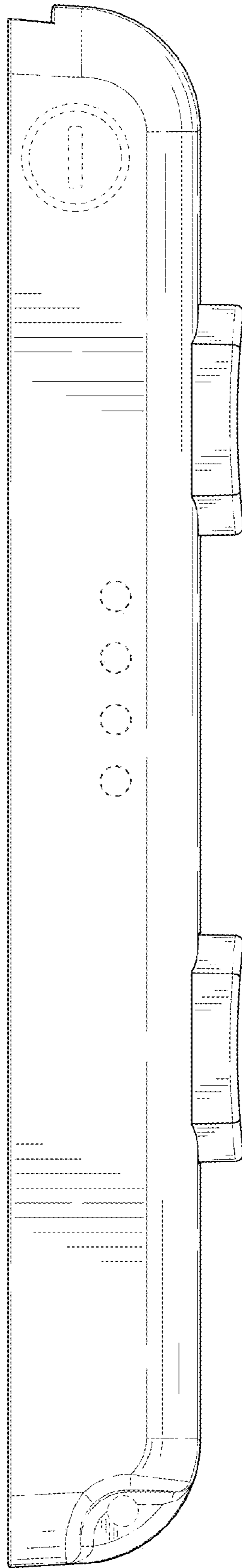


FIG. 3

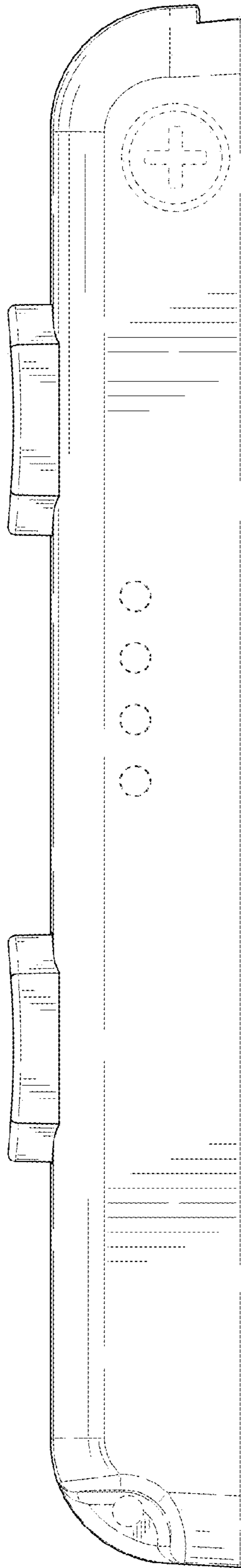


FIG. 4

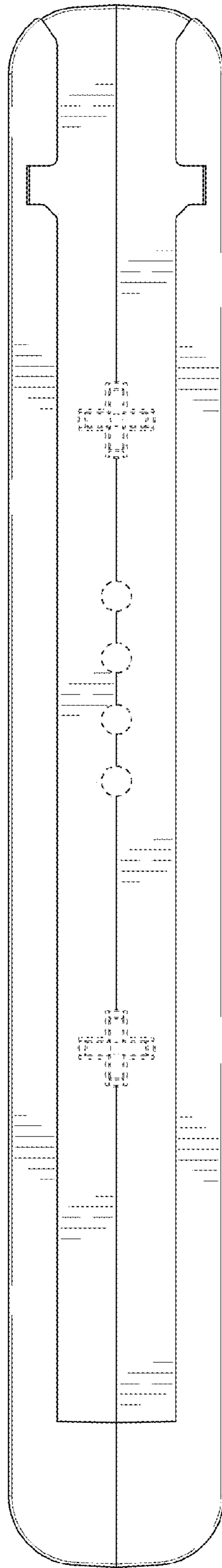


FIG. 5

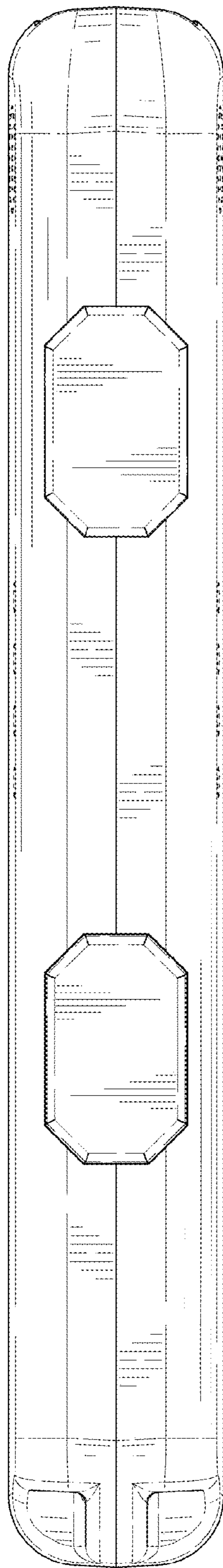


FIG. 6

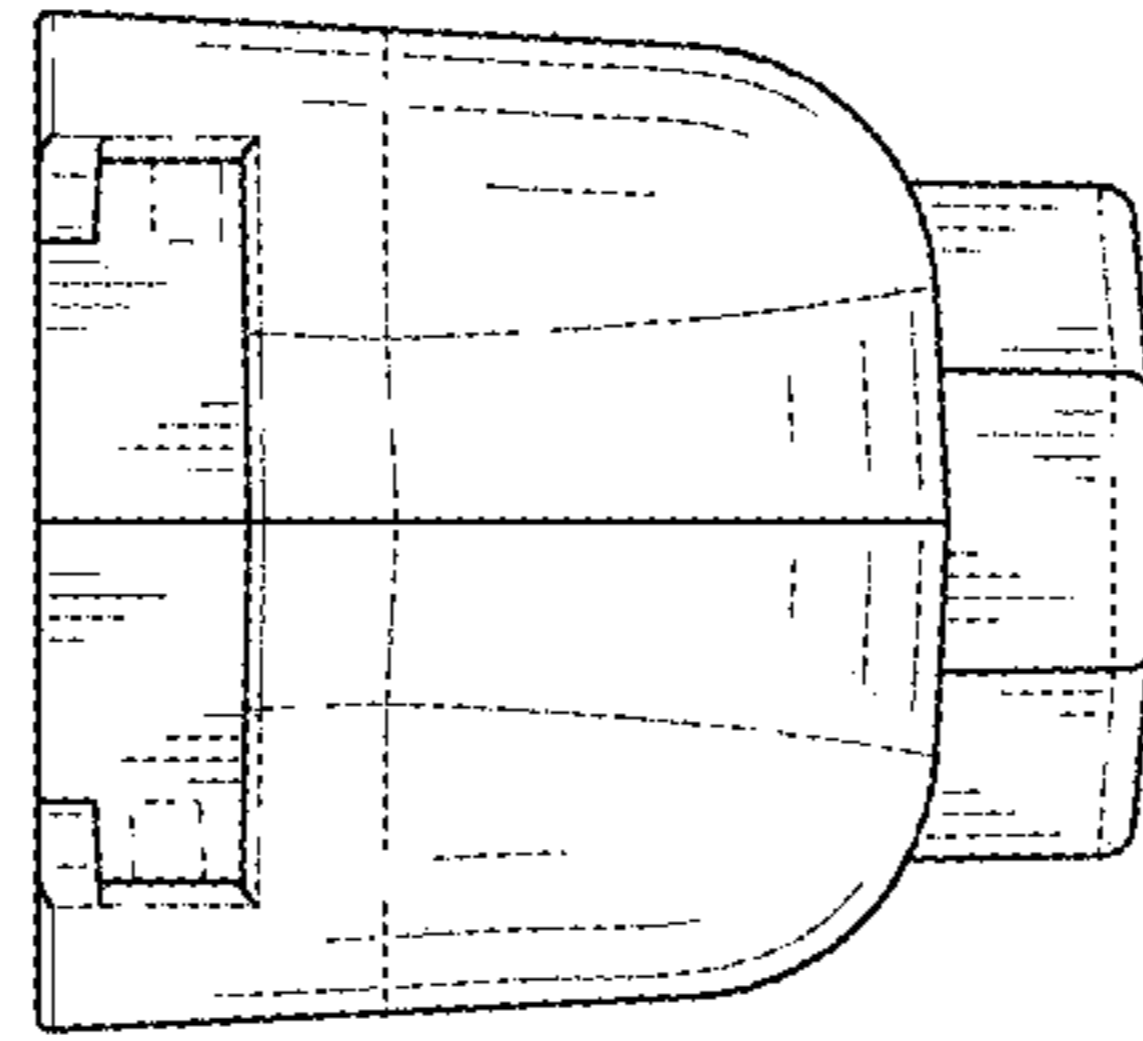


FIG. 7

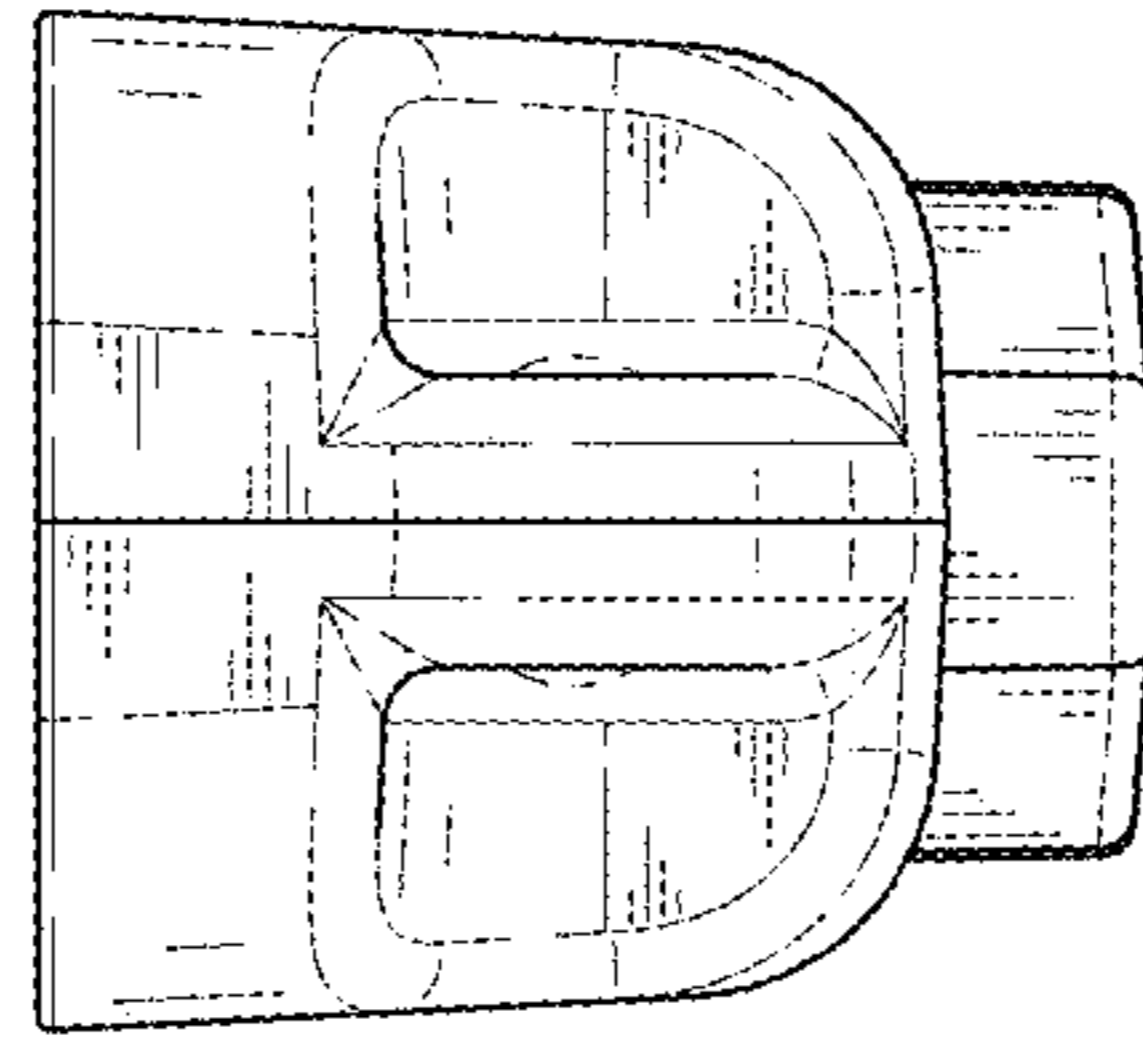


FIG. 8

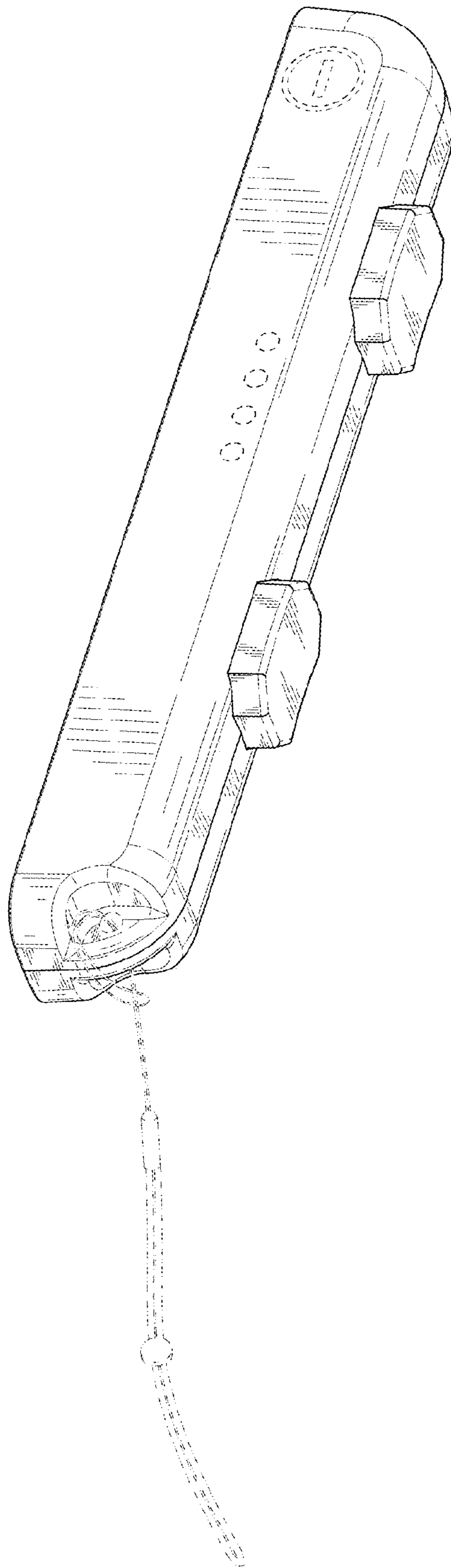


FIG. 9

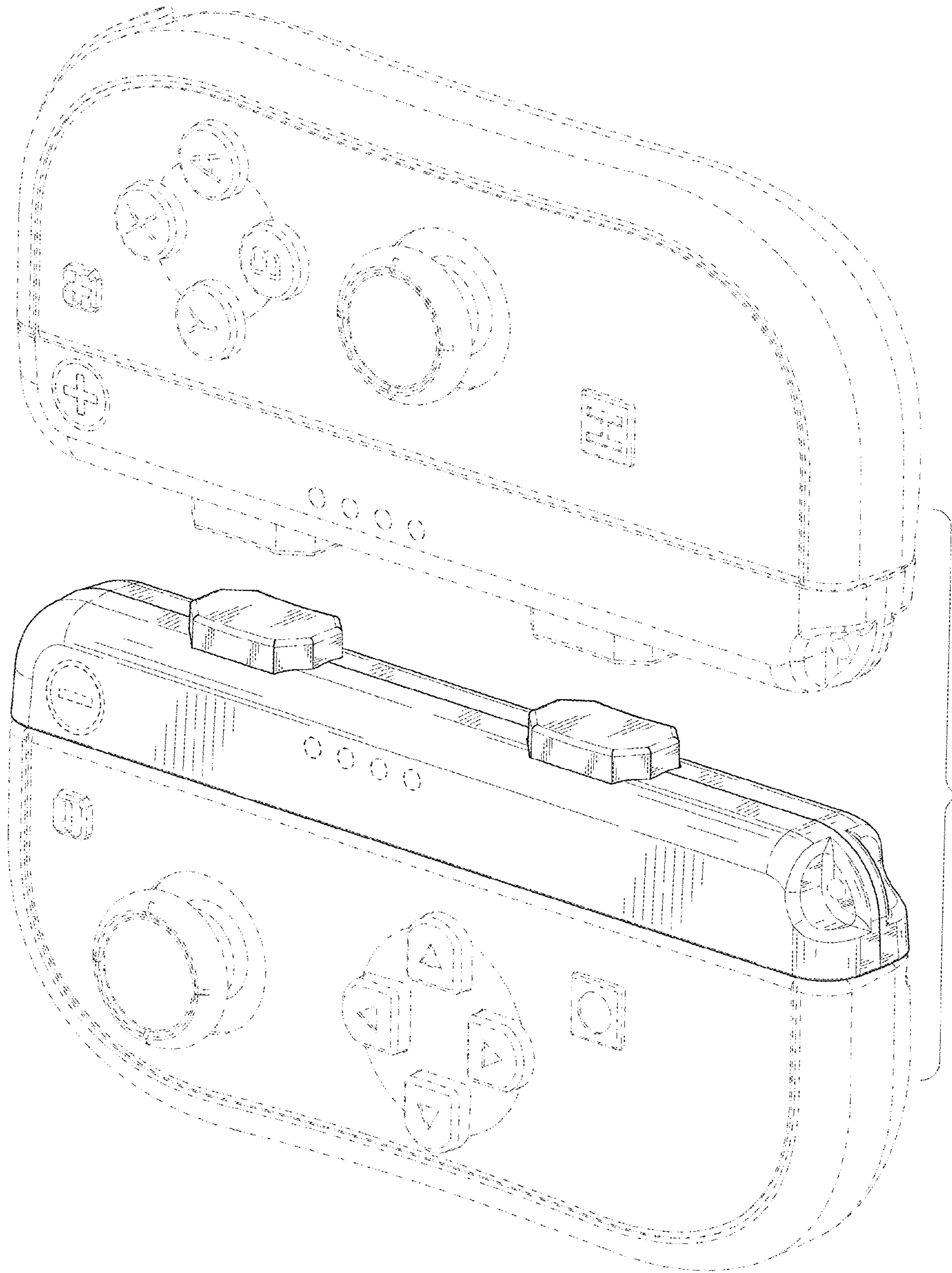


FIG. 10