



US00D983270S

(12) **United States Design Patent**
Mizen

(10) **Patent No.:** **US D983,270 S**
(45) **Date of Patent:** **** Apr. 11, 2023**

(54) **GAME CONSOLE STEERING WHEEL**

(71) Applicant: **Rubber Road Ltd.**, Hertfordshire (GB)

(72) Inventor: **Karl Mizén**, Jarrow (GB)

(73) Assignee: **Rubber Road Ltd.**

(**) Term: **15 Years**

(21) Appl. No.: **29/758,919**

(22) Filed: **Nov. 19, 2020**

(30) **Foreign Application Priority Data**

May 22, 2020 (EM) 007963251
Oct. 21, 2020 (EM) 008210405

(51) **LOC (14) Cl.** **21-01**

(52) **U.S. Cl.**
USPC **D21/333**

(58) **Field of Classification Search**
USPC D12/126, 175, 176, 177; D14/399, 400,
D14/401, 402, 414, 413, 416, 412, 419;
D21/324-333
CPC B60R 21/05; B60R 21/203; B62D 1/04;
A63F 13/02; A63F 13/06; A63F 13/24;
A63F 13/98; A63F 13/235; A63F 13/245;
A63F 13/803

See application file for complete search history.

(56) **References Cited**

U.S. PATENT DOCUMENTS

D410,970 S * 6/1999 Larian D21/329
D522,516 S * 6/2006 Hussaini D14/414
D566,781 S * 4/2008 Ikeda D14/419
D568,409 S * 5/2008 Ikeda D14/416
D573,198 S * 7/2008 Bramfitt D21/324
D602,096 S * 10/2009 Ashida D21/333
D615,131 S * 5/2010 Biheller D21/333
D637,656 S * 5/2011 Brault D21/333
D695,839 S * 12/2013 Lin D14/401
9,090,282 B2 * 7/2015 Salvini B62D 1/105

D760,841 S * 7/2016 Won D21/333
D760,842 S * 7/2016 Won D21/333
D795,963 S * 8/2017 Sakai D14/401
D826,949 S * 8/2018 Ehara D14/401
D863,448 S * 10/2019 Ehara D21/333

(Continued)

FOREIGN PATENT DOCUMENTS

CN 306941314 * 11/2021
CN 307378481 * 1/2022

OTHER PUBLICATIONS

Hori Racing Wheel Apex for PlayStation, first available Oct. 3, 2016, amazon.com [online], site visited Dec. 9, 2021], Available from internet URL: <https://amzn.to/3rZmVQC> (Year: 2016).*

(Continued)

Primary Examiner — Jack Reickel

Assistant Examiner — Salamah Jordan

(74) *Attorney, Agent, or Firm* — RatnerPrestia

(57) **CLAIM**

The ornamental design for a game console steering wheel, as shown and described.

DESCRIPTION

FIG. 1 is a front perspective view of a game console steering wheel;

FIG. 2 is a rear perspective view thereof;

FIG. 3 is a front elevation view thereof;

FIG. 4 is a rear elevation view thereof;

FIG. 5 is a left side elevation view thereof;

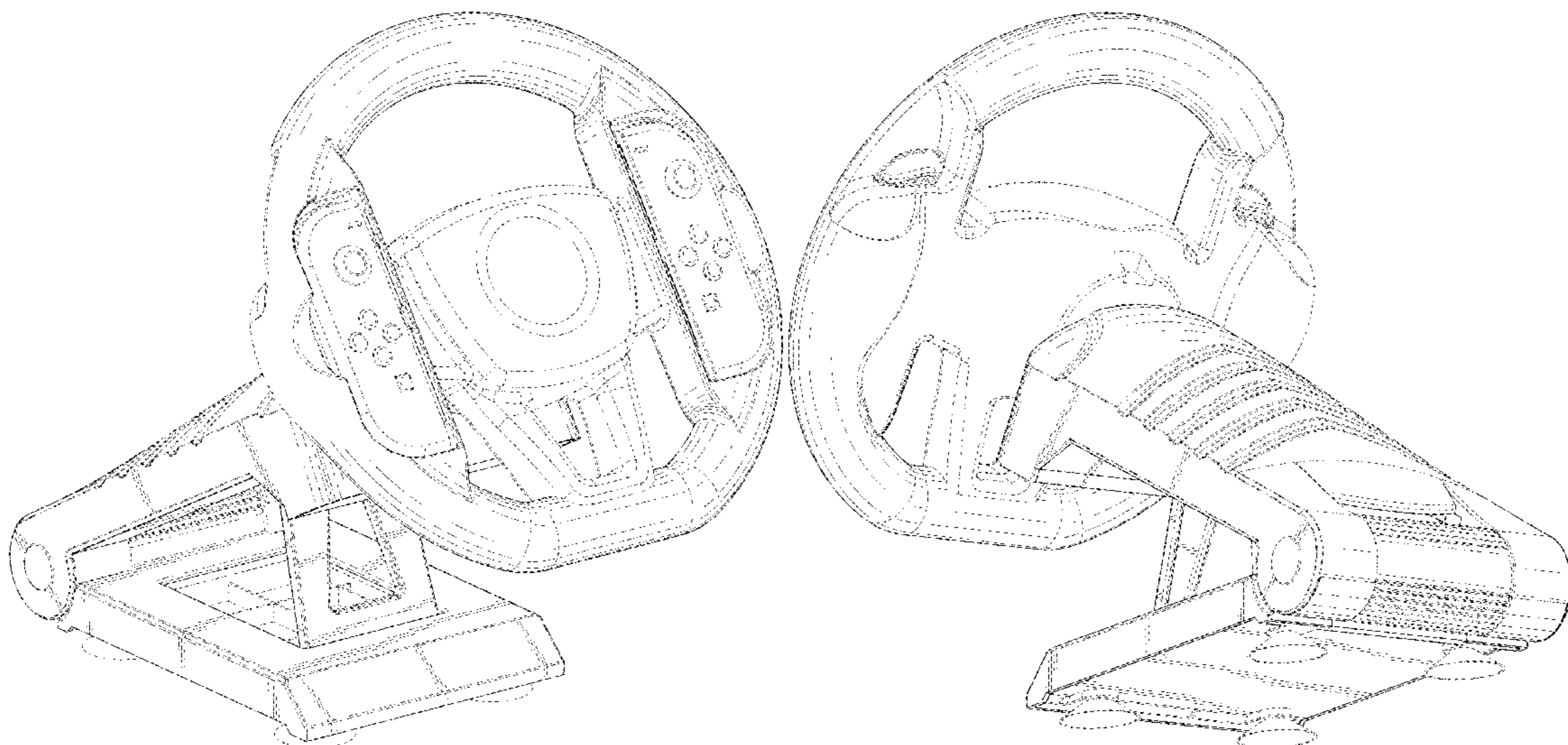
FIG. 6 is a right side elevation view thereof;

FIG. 7 is a top plan view thereof; and,

FIG. 8 is a bottom plan view thereof.

The features of the game console steering wheel that are shown in broken lines are for illustration only and form no part of the claimed design.

1 Claim, 8 Drawing Sheets



(56)

References Cited

U.S. PATENT DOCUMENTS

D875,837	S	*	2/2020	Ehara	D21/333
D878,474	S	*	3/2020	Ehara	D21/333
D880,602	S	*	4/2020	Ehara	D21/333
D882,693	S	*	4/2020	Ehara	D21/333
D884,796	S	*	5/2020	Zhou	D14/401
D899,328	S	*	10/2020	Roo-Clefas	D12/176
D935,963	S	*	11/2021	Hamada	D12/176
D945,531	S	*	3/2022	Wen	D21/333
D954,841	S	*	6/2022	Conrad	D21/333
D960,245	S	*	8/2022	Jackermeier	D21/333
D962,347	S	*	8/2022	Day	D21/333
2007/0265078	A1	*	11/2007	Yu	A63F 13/06

OTHER PUBLICATIONS

“PC Racing Wheel” Sep. 6, 2019, Amazon, site visited Oct. 4, 2022: <https://amzn.to/3SXCzq4> (Year: 2019).*

“Best Racing Wheel” Jan. 21, 2019, Youtube, site visited Oct. 4, 2022: <https://www.youtube.com/watch?v=q8rBaordqAg> (Year: 2019).*

“Logitech G920 Driving Force Racing Wheel”, Jun. 18, 2015, Amazon, site visited, Dec. 8, 2022: <https://amzn.to/3PejbUR> (Year: 2015).*

* cited by examiner

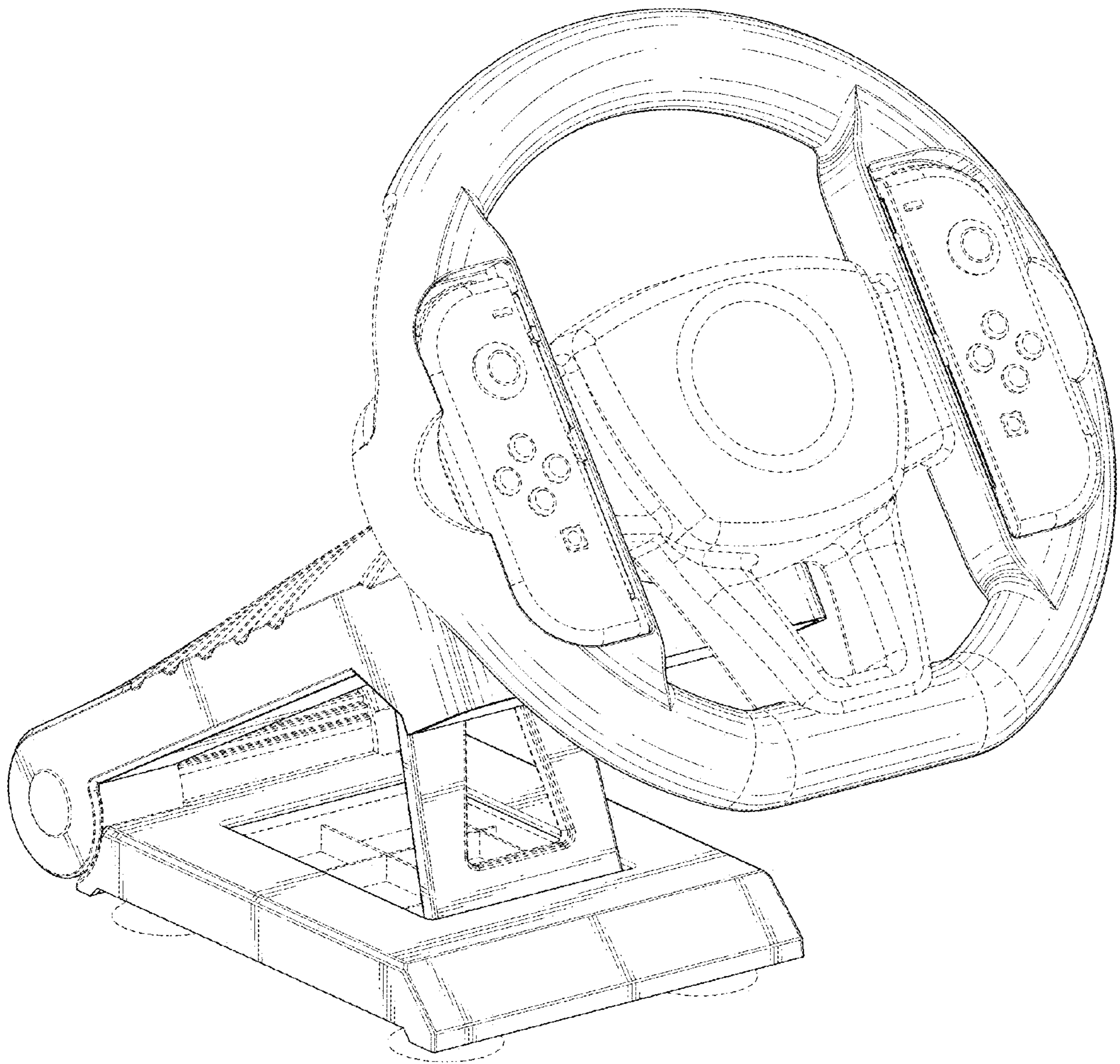


FIG. 1

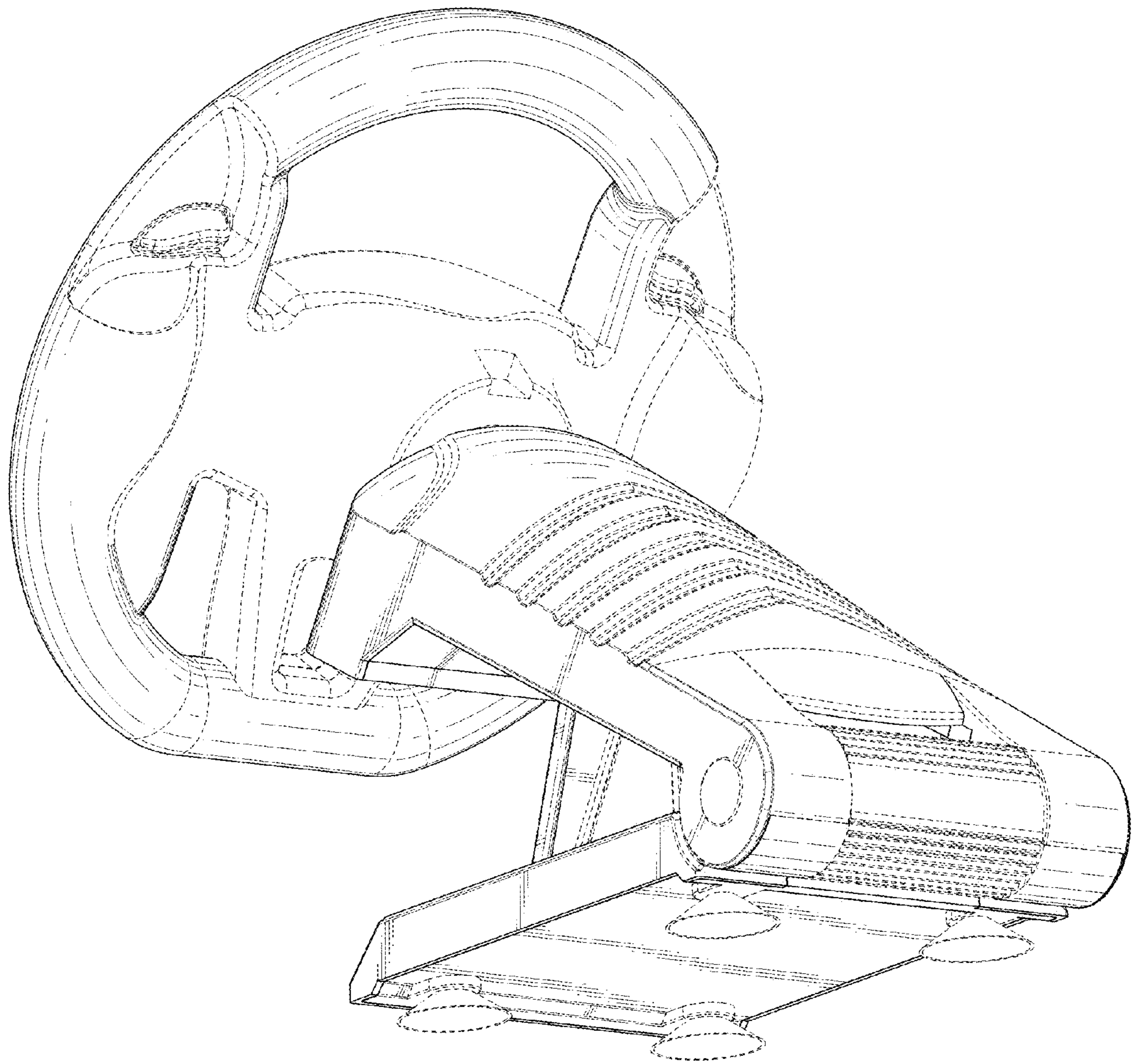


FIG. 2

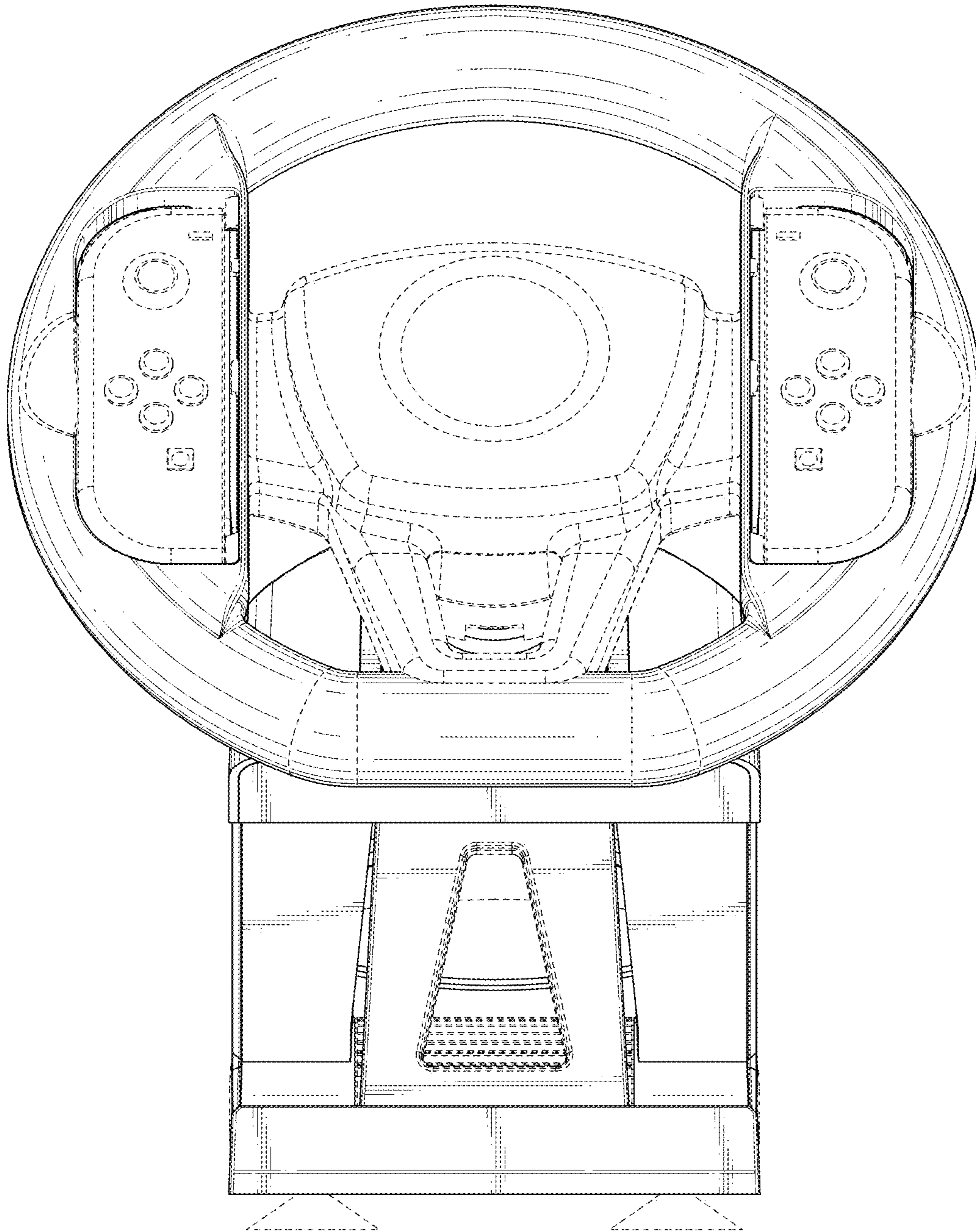


FIG. 3

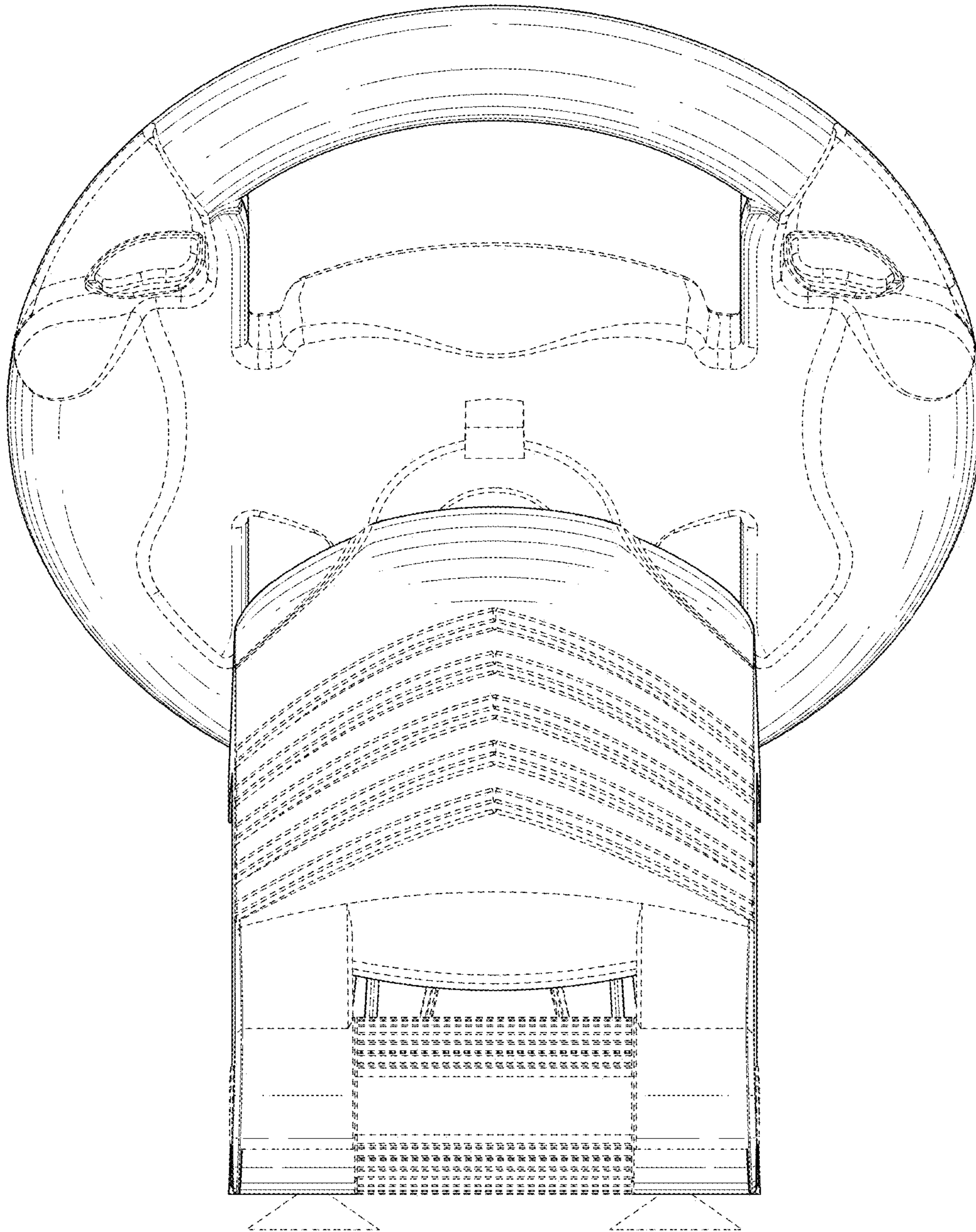


FIG. 4

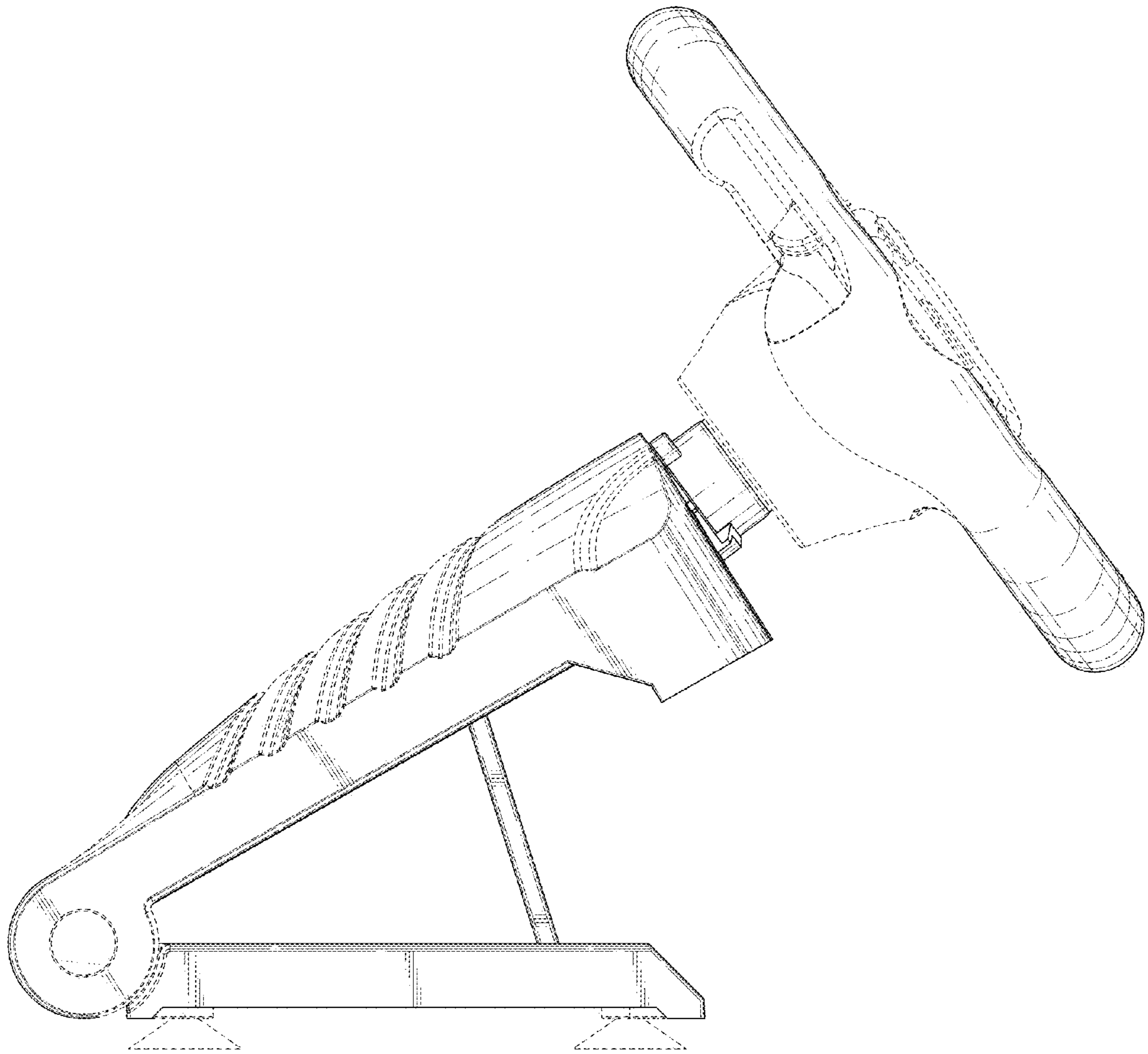


FIG. 5

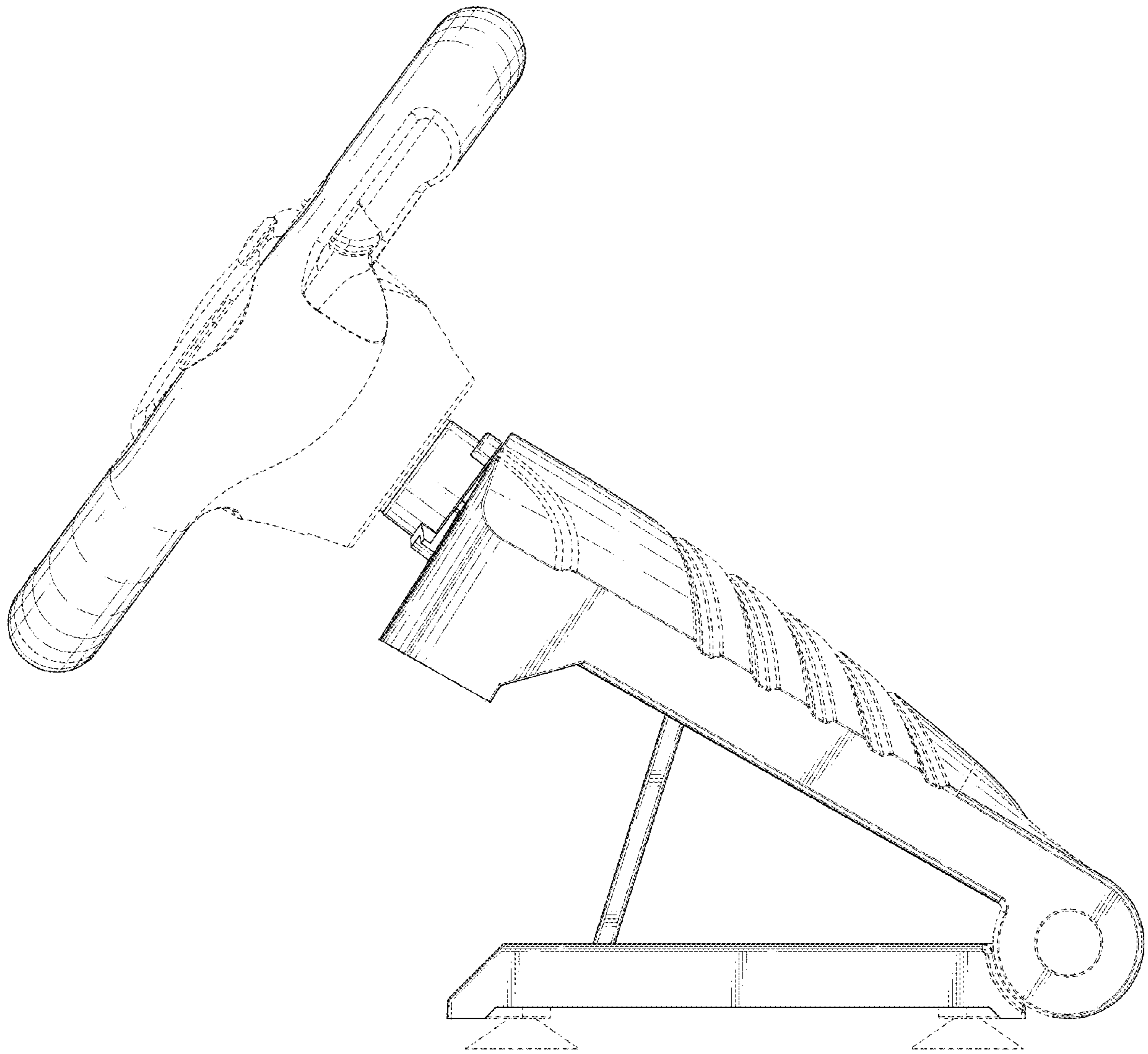


FIG. 6

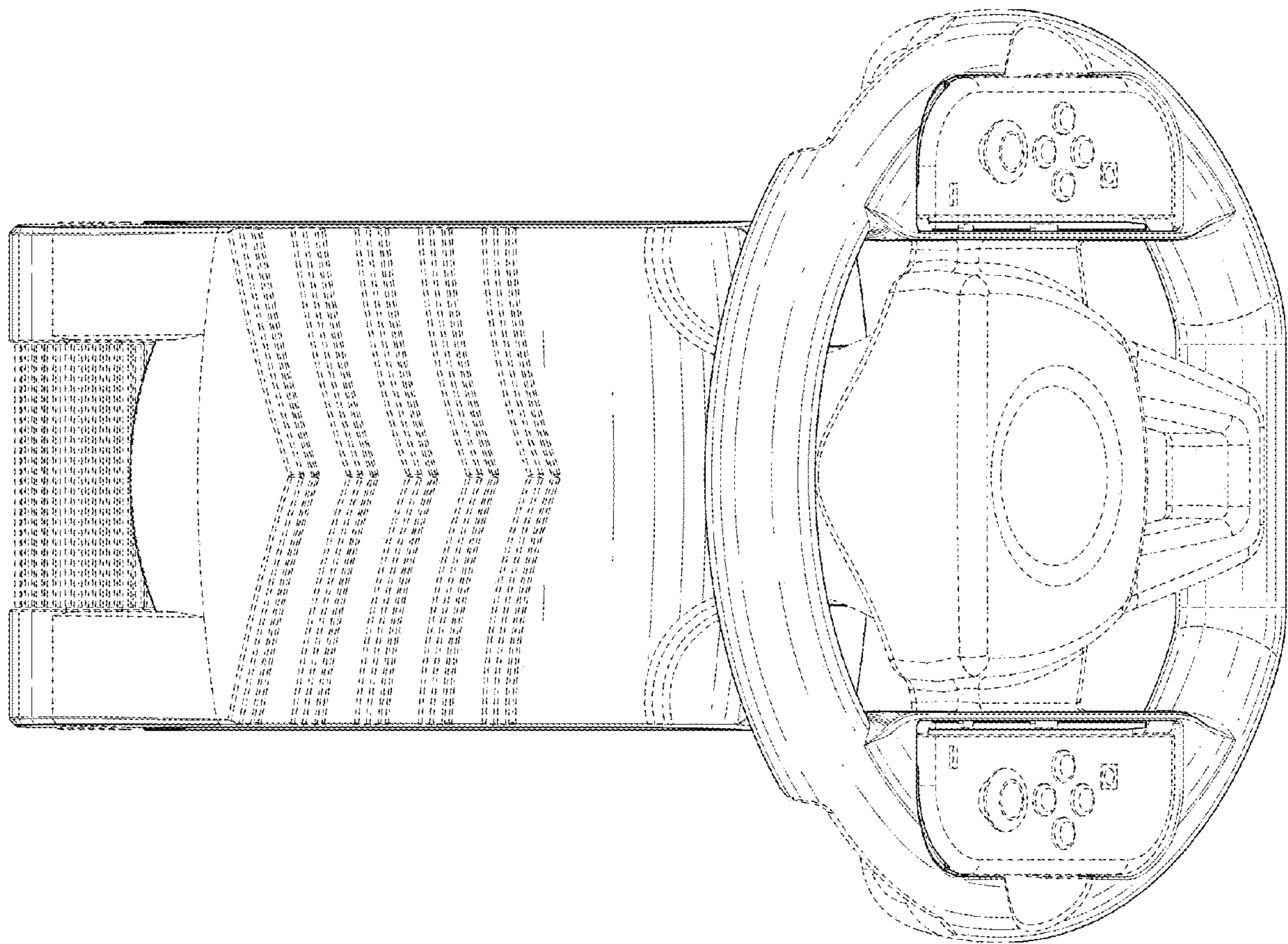


FIG. 7

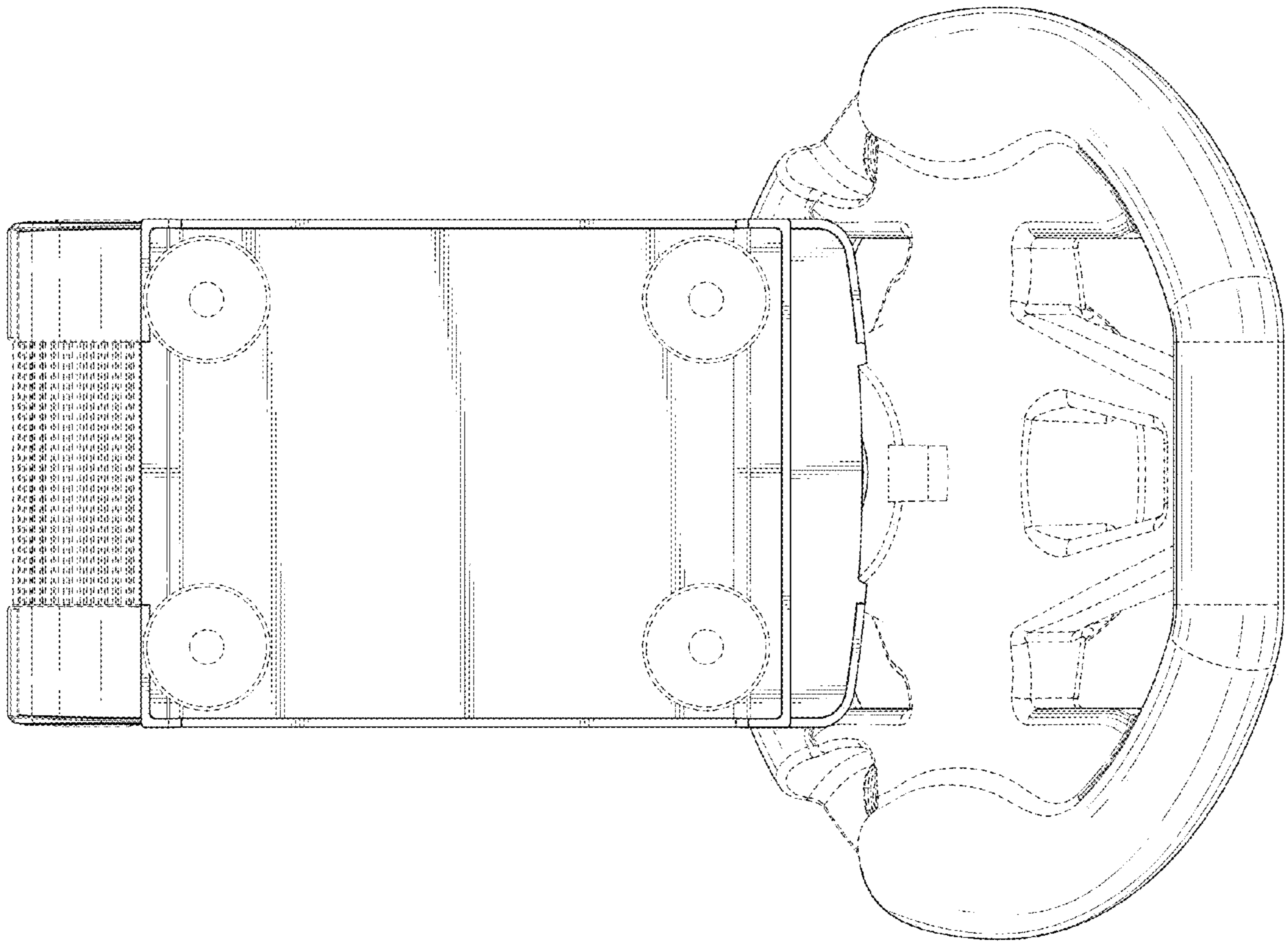


FIG. 8