



US00D983269S

(12) **United States Design Patent** (10) **Patent No.:** **US D983,269 S**
Daddar et al. (45) **Date of Patent:** **** Apr. 11, 2023**

(54) **INPUT APPARATUS FOR A GAMES CONSOLE**

(71) Applicant: **Ironburg Inventions Limited**,
Wincanton (GB)

(72) Inventors: **Sunil Daddar**, Suwanee, GA (US);
Duncan Ironmonger, Milton, GA (US);
Carl Jeffrey, Oxenton (GB)

(**) Term: **15 Years**

(21) Appl. No.: **29/738,762**

(22) Filed: **Jun. 19, 2020**

(51) **LOC (14) Cl.** **21-01**

(52) **U.S. Cl.**

USPC **D21/333**

(58) **Field of Classification Search**

USPC D14/203.3, 218, 358, 388, 400–401, 417,
D14/426–431, 454; D21/320, 324–333

CPC A63F 13/06; A63F 13/08; A63F 13/22;
A63F 13/24; A63F 13/40; A63F 13/42;
A63F 13/98; A63F 13/285; A63F 9/24;
G06F 3/0338

See application file for complete search history.

(56) **References Cited**

U.S. PATENT DOCUMENTS

4,032,728 A 6/1977 Oelsch
4,786,768 A 11/1988 Langewis et al.
5,430,262 A 7/1995 Matsui et al.
5,451,053 A 9/1995 Garrido
5,773,769 A 6/1998 Raymond

(Continued)

FOREIGN PATENT DOCUMENTS

CN 202 528 096 U 11/2012
CN 203 077 157 U 7/2013

(Continued)

OTHER PUBLICATIONS

Wireless Game Joystick Controller, first available Jan. 17, 2021, www.amazon.com [online], site visited Jan. 7, 2022], Available from internet URL: https://amzn.to/3JPefmu (Year: 2021).*

(Continued)

Primary Examiner — Jack Reickel

Assistant Examiner — Salamah Jordan

(74) *Attorney, Agent, or Firm* — Walters & Wasylyna LLC

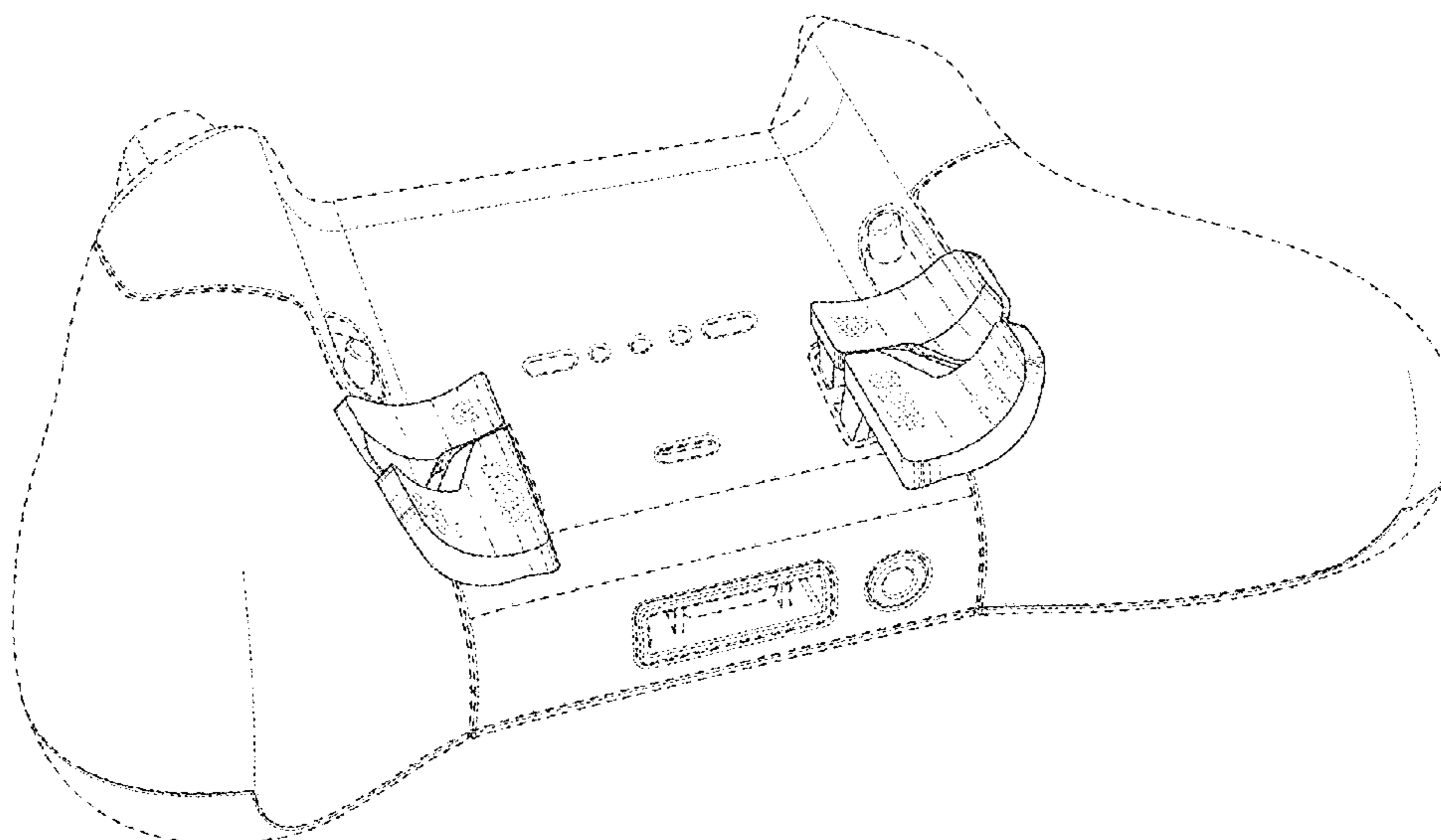
(57) **CLAIM**

The ornamental design for an input apparatus for a games console, as shown and described.

DESCRIPTION

FIG. 1 is a rear and bottom perspective view of a first embodiment of an input apparatus for a games console in accordance with the present design;
FIG. 2 is a rear and top perspective view thereof;
FIG. 3 is a bottom view thereof;
FIG. 4 is a top view thereof;
FIG. 5 is a left side view thereof;
FIG. 6 is a right side view thereof;
FIG. 7 is a front elevational view thereof;
FIG. 8 is a rear elevational view thereof;
FIG. 9 is a rear and bottom perspective view of a second embodiment of an input apparatus for a games console in accordance with the present design;
FIG. 10 is a rear and top perspective view thereof;
FIG. 11 is a bottom view thereof;
FIG. 12 is a top view thereof;
FIG. 13 is a left side view thereof;
FIG. 14 is a right side view thereof;
FIG. 15 is a front elevational view thereof; and,
FIG. 16 is a rear elevational view thereof.
The broken lines in the drawings show environment that forms no part of the claimed design.

1 Claim, 16 Drawing Sheets



(56)

References Cited

U.S. PATENT DOCUMENTS

5,841,372 A 11/1998 Matsumoto
 5,874,906 A 2/1999 Willner et al.
 5,883,690 A 3/1999 Meyers et al.
 5,989,123 A 11/1999 Tosaki et al.
 6,203,432 B1 3/2001 Roberts et al.
 6,251,015 B1 6/2001 Caprai
 6,512,511 B2 1/2003 Willner et al.
 6,710,766 B1 3/2004 Ogata
 6,752,719 B2 6/2004 Himoto et al.
 6,760,013 B2 7/2004 Willner et al.
 6,853,308 B1 2/2005 Dustin
 7,510,477 B2 3/2009 Argentar
 7,758,424 B2 7/2010 Riggs et al.
 7,859,514 B1 12/2010 Park
 7,993,203 B1 8/2011 Walker, II et al.
 D694,830 S * 12/2013 Crowley D21/333
 8,641,525 B2 2/2014 Burgess et al.
 D708,615 S * 7/2014 Delrue D14/401
 8,777,620 B1 7/2014 Baxter
 9,089,770 B2 7/2015 Burgess et al.
 9,251,701 B2 * 2/2016 Plagge G01S 17/66
 D768,786 S * 10/2016 Seflic D21/333
 D780,180 S 2/2017 Ironmonger et al.
 D780,759 S 3/2017 Ironmonger et al.
 D780,760 S 3/2017 Ironmonger et al.
 D794,027 S 8/2017 Ironmonger et al.
 9,804,691 B1 10/2017 Strahle et al.
 D819,641 S * 6/2018 Tsuchiya D14/401
 D853,384 S * 7/2019 Fulghum D14/401
 D854,619 S * 7/2019 Konishi D21/333
 D881,125 S 4/2020 Ironmonger et al.
 D881,282 S 4/2020 Ironmonger et al.
 D881,283 S 4/2020 Ironmonger et al.
 D885,387 S * 5/2020 Hu D14/401
 D890,185 S * 7/2020 Jetter D14/454
 D921,116 S * 6/2021 Zhou D21/333
 D932,550 S * 10/2021 Tong D21/333
 D963,751 S * 9/2022 Chatterjee D21/333
 D965,065 S * 9/2022 Guo D21/333
 D966,418 S * 10/2022 Paterson D21/333
 D967,900 S * 10/2022 Wang D21/333
 D970,627 S * 11/2022 Fu D21/333
 2001/0003713 A1 6/2001 Willner et al.
 2001/0025778 A1 10/2001 Ono
 2002/0052237 A1 5/2002 Magill
 2002/0128064 A1 9/2002 Sobota
 2003/0067111 A1 4/2003 Swan
 2004/0259059 A1 12/2004 Aoki
 2005/0083297 A1 4/2005 Duncan
 2005/0215321 A1 9/2005 Hussaini et al.
 2005/0230230 A1 10/2005 Ueshima et al.
 2005/0277470 A1 12/2005 Watanachote
 2006/0025217 A1 2/2006 Hussaini et al.
 2006/0116204 A1 6/2006 Chen et al.
 2007/0281787 A1 12/2007 Numata et al.
 2008/0188306 A1 8/2008 Tetterington et al.
 2008/0261695 A1 10/2008 Coe
 2009/0054146 A1 2/2009 Epstein
 2009/0088250 A1 4/2009 Carlson
 2009/0258705 A1 10/2009 Guinchard
 2010/0073283 A1 3/2010 Enright
 2010/0167825 A1 7/2010 Sternberg et al.
 2010/0267454 A1 10/2010 Navid
 2010/0304865 A1 12/2010 Picunko
 2011/0065510 A1 3/2011 Borrel
 2011/0105231 A1 5/2011 Ambinder et al.
 2011/0256930 A1 10/2011 Jaouen
 2011/0281649 A1 11/2011 Jaouen
 2012/0088582 A1 4/2012 Wu et al.
 2012/0142418 A1 6/2012 Muramatsu
 2012/0142419 A1 6/2012 Muramatsu
 2012/0172128 A1 7/2012 Atzom
 2012/0260220 A1 10/2012 Griffin
 2012/0299244 A1 11/2012 Rice et al.
 2012/0322553 A1 12/2012 Burgess et al.

2012/0322555 A1 12/2012 Burgess et al.
 2013/0029763 A1 1/2013 Zhou
 2013/0147610 A1 6/2013 Grant et al.
 2013/0150155 A1 6/2013 Barney et al.
 2013/0196770 A1 8/2013 Barney et al.
 2014/0274397 A1 9/2014 Sebastian
 2015/0194279 A1 7/2015 Rubio
 2015/0234479 A1 8/2015 Schantz et al.
 2015/0238855 A1 8/2015 Uy et al.
 2015/0255918 A1 11/2015 Riggs et al.
 2015/0321093 A1 11/2015 Burgess et al.
 2015/0360126 A1 12/2015 Burgess et al.
 2016/0082349 A1 3/2016 Burgess et al.
 2016/0193529 A1 7/2016 Burgess et al.
 2016/0346682 A1 12/2016 Burgess et al.
 2016/0361636 A1 12/2016 Gassoway et al.
 2017/0001107 A1 1/2017 Burgess et al.
 2017/0001108 A1 1/2017 Burgess et al.
 2017/0087456 A1 3/2017 Burgess et al.
 2017/0151494 A1 6/2017 Ironmonger et al.
 2017/0157509 A1 6/2017 Burgess et al.
 2018/0207523 A1 * 7/2018 Lyden A63F 13/24
 2018/0250587 A1 * 9/2018 Strahle A63F 13/25

FOREIGN PATENT DOCUMENTS

EP 1 078 660 2/2001
 EP 1 140 303 10/2001
 EP 1 208 883 5/2002
 EP 1852162 11/2007
 EP 2 479 636 7/2012
 EP 2 440 438 4/2013
 EP 2 698 185 2/2014
 EP 2 908 224 8/2015
 GB 2 244 546 12/1991
 GB 2 481 633 1/2012
 JP H1020951 1/1998
 JP 2001 084077 3/2001
 JP D1659475 * 4/2020
 JP D1686682 * 5/2021
 WO WO 02/34345 5/2002
 WO WO 03/046822 6/2003
 WO WO 2005/103869 11/2005
 WO WO 2007/040499 4/2007
 WO WO 2008/131249 10/2008
 WO WO 2012/036710 3/2012
 WO WO 2014/187923 11/2014
 WO WO 2015/004261 1/2015
 WO WO 2015/078990 6/2015
 WO WO 2015/110553 7/2015
 WO WO 2015/173269 11/2015

OTHER PUBLICATIONS

EasySMX 2.4G Wireless Controller, Nov. 29, 2016, Amazon, site visited Dec. 7, 2022: <https://amzn.to/3VGvThF> (Year: 2016).*

“EasySMX Wireless Gaming Controller” May 3, 2019, Youtube, site visited Dec. 12, 2022: <https://www.youtube.com/watch?v=K9Wa0uoZsu0> (Year: 2019).*

Burns, “Review: Scuf Xbox 360 Controller,” Xboxer360.com (2010).

“Rapid Fire Mod For Wireless Xbox 360 Controller,” forum on xbox-scene.com, (2008).

“Thrustmaster USB game controller roundup,” dansdata.com/tmsticks.htm (2002).

Coles, Olin, “Thrustmaster Run-N-Drive PC/PS3 Wireless Gamepad” BenchmarkReviews.com (2009).

Xbox 360 Wireless Controller Tour, published on May 13, 2005 at <http://www.ign.com/articles/2005/05/13/xbox-360-wireless-controller-tour>.

Nick Statt: “Scuf’s new PS4 controller adds wireless play and new customizable side buttons,” The Verge (May 22, 2018), URL: <https://www.theverge.com/circuitbreaker/2018/5/22/17378730/scuf-gaming-vantage-ps4-pro-controller-wireless-sax-buttons-customizable>.

Wikipedia: “RumbleRak” URL: https://en.wikipedia.org/w/index.php?title=Rumble_Pak&oldid=768546573.

(56)

References Cited

OTHER PUBLICATIONS

Wikipedia: "Nintendo 64 Accessories" URL: https://en.wikipedia.org/w/index.php?title=Nintendo_64_accessories&oldid=784405317.

Wikipedia: "List of Nintendo DS accessories" URL: https://en.wikipedia.org/w/index.php?title=List_of_Nintendo_DS_accessories&oldid=768095407.

Sean Buckley: "Mad Catz MLG Pro Circuit controller review (PS3)," <https://www.engadget.com/2012/01/29/mad-catz-mlg-pro-circuit-controller-review-ps3> (Jan. 29, 2012).

Joe Robinson: "Mad Catz MLG Pro Circuit Controller Review," <http://www.gamewatcher.com/editorials/mad-catz-mlg-pro-pro-circuit-controller-review/11890#> (Apr. 18, 2012).

Driph.com/words: "Mad Catz MLG Pro Circuit controller review & comparison," <http://driph.com/words/2012/01/mad-catz-mlg-pro-circuit-controller-review-comparison/> (Jan. 20, 2012).

* cited by examiner

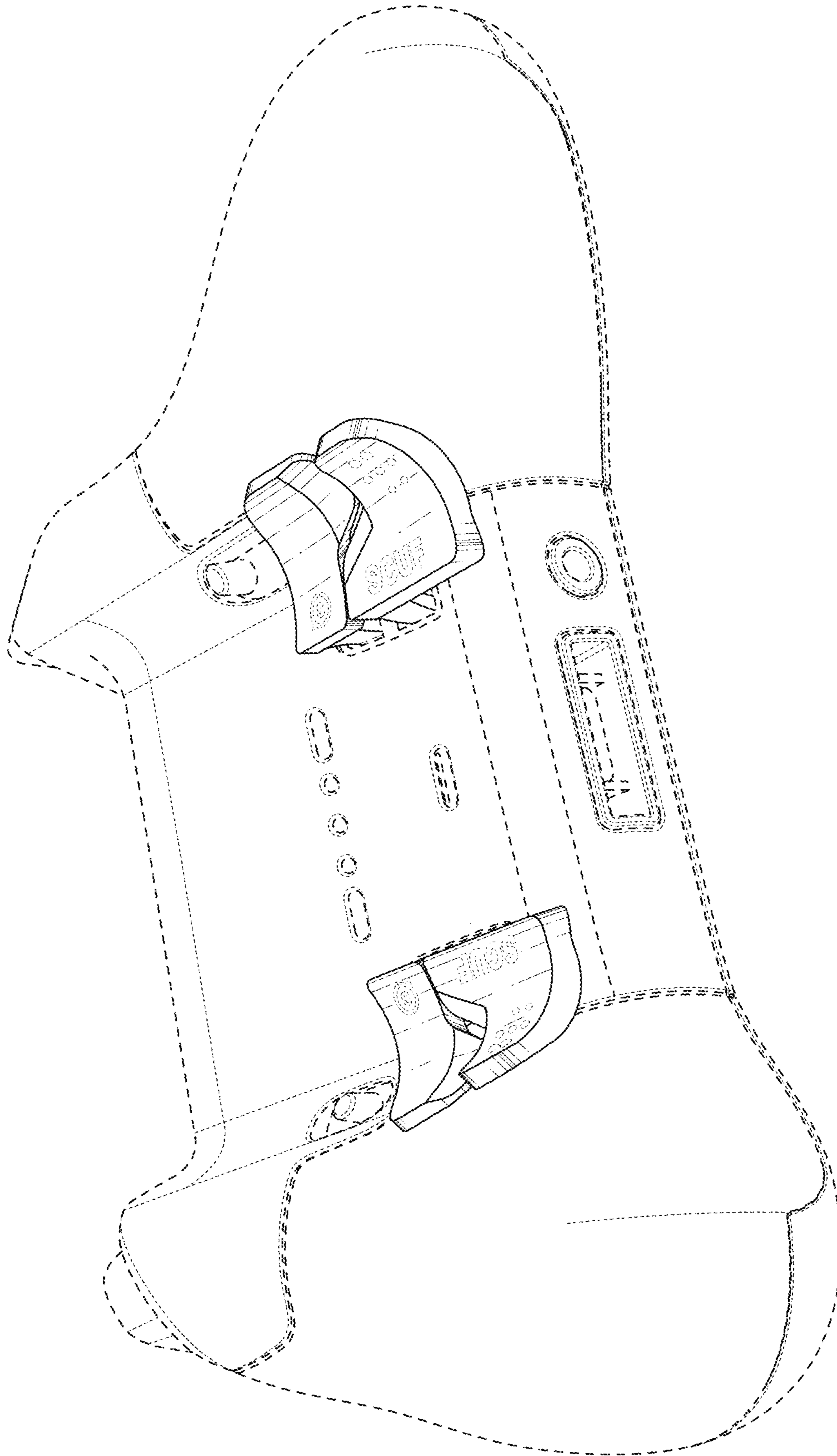


FIG. 1

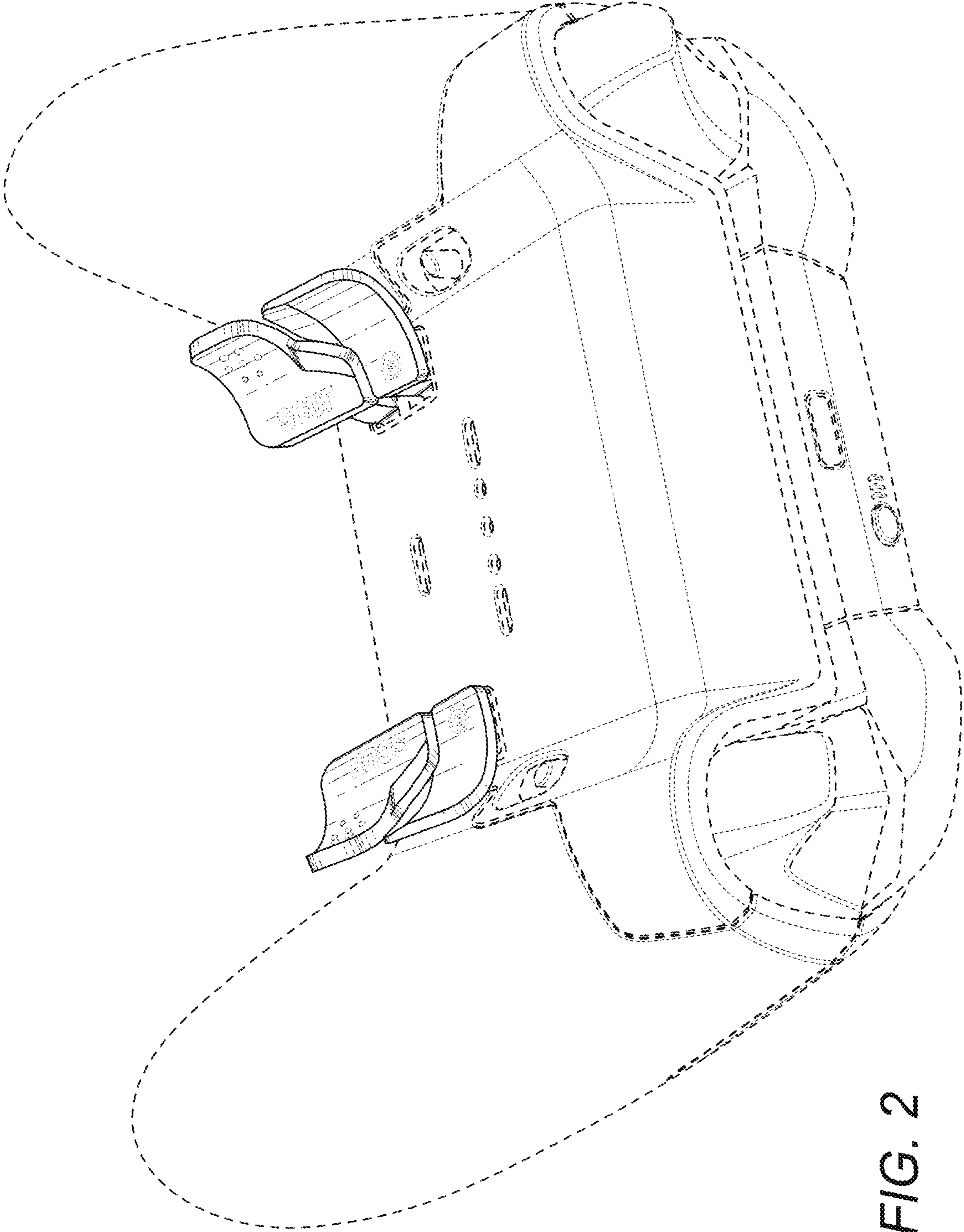


FIG. 2

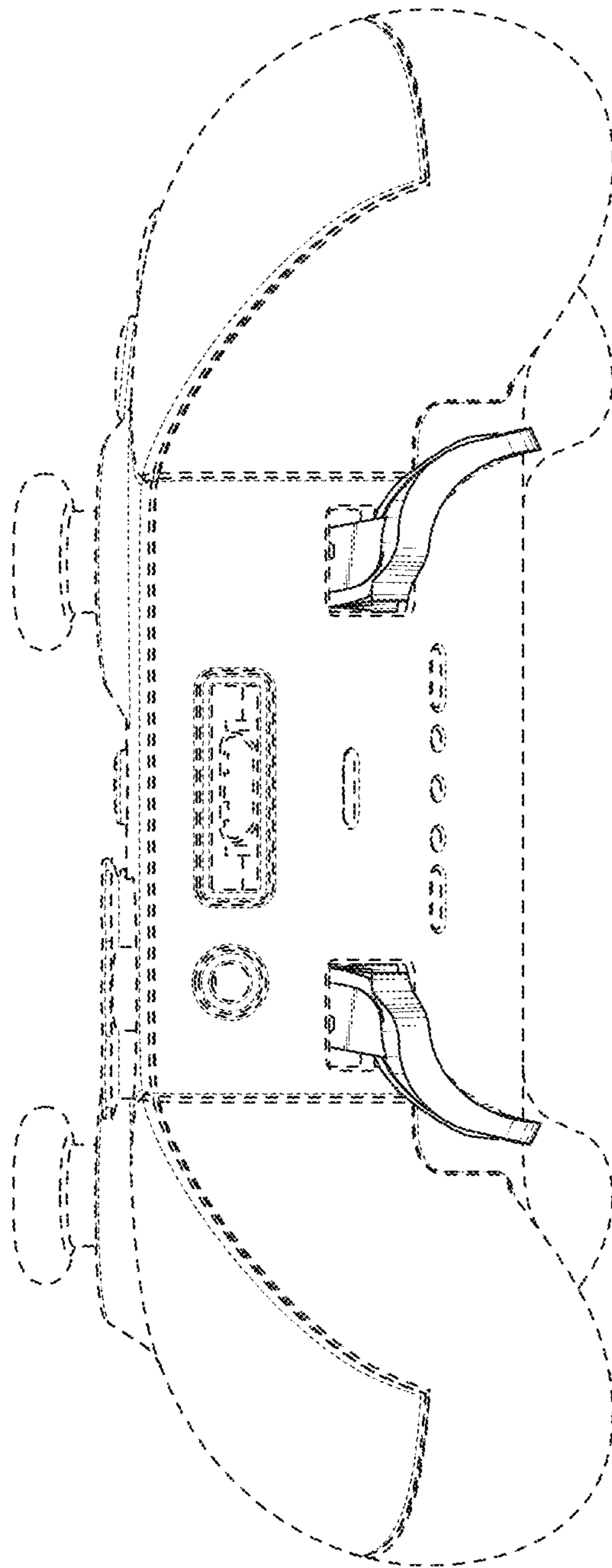


FIG. 3

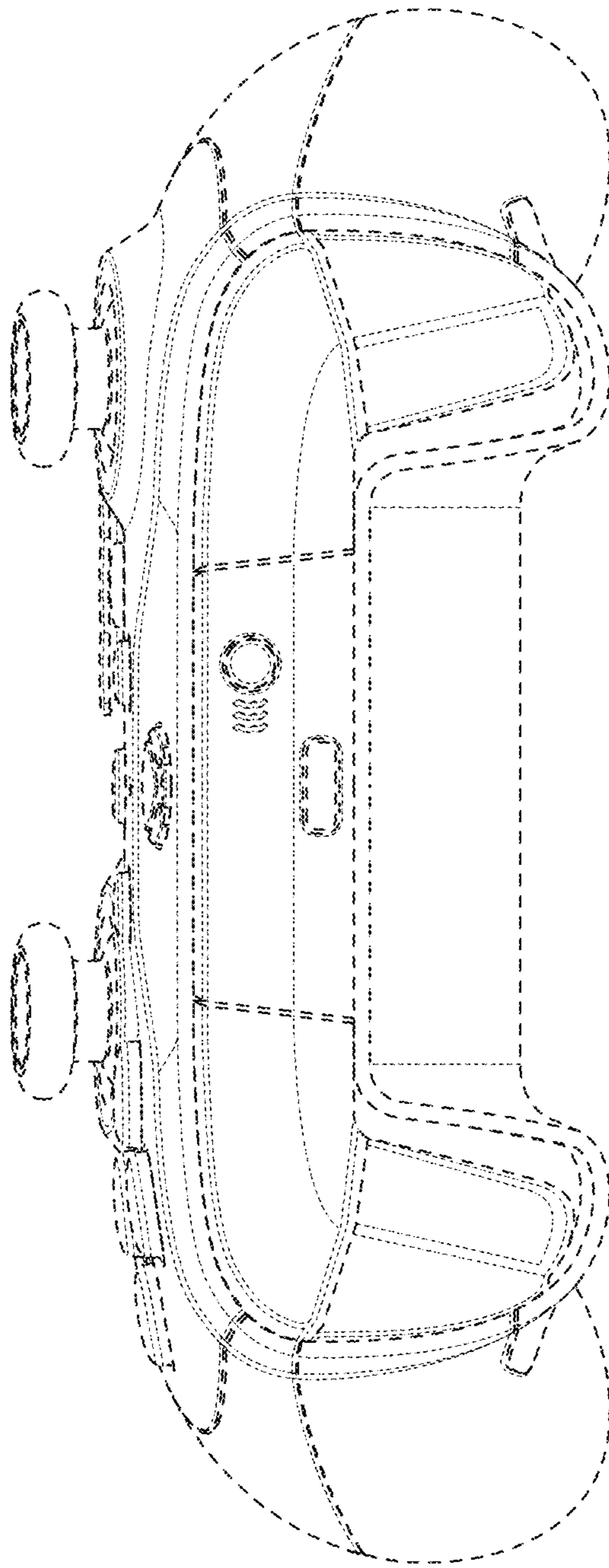


FIG. 4

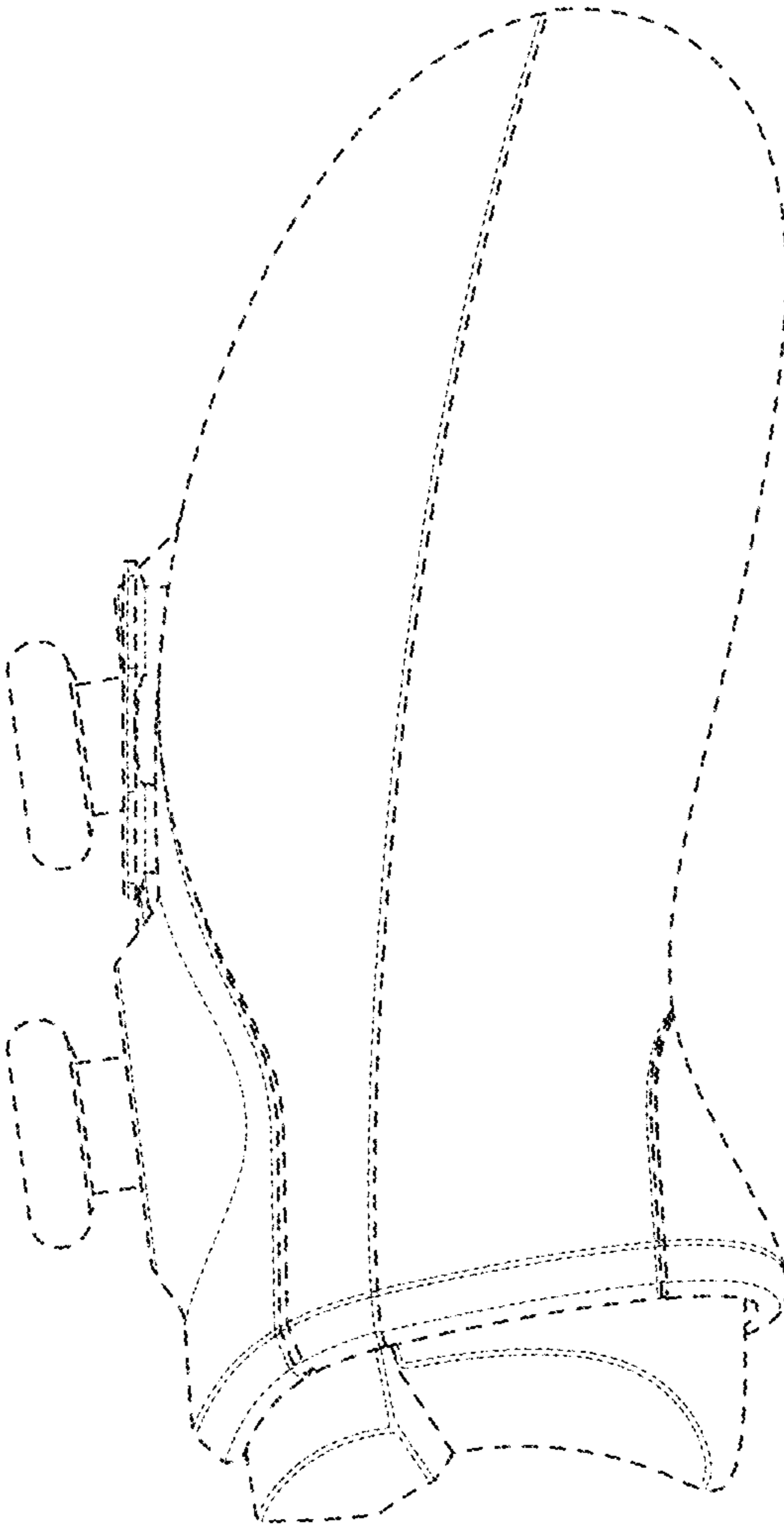


FIG. 5

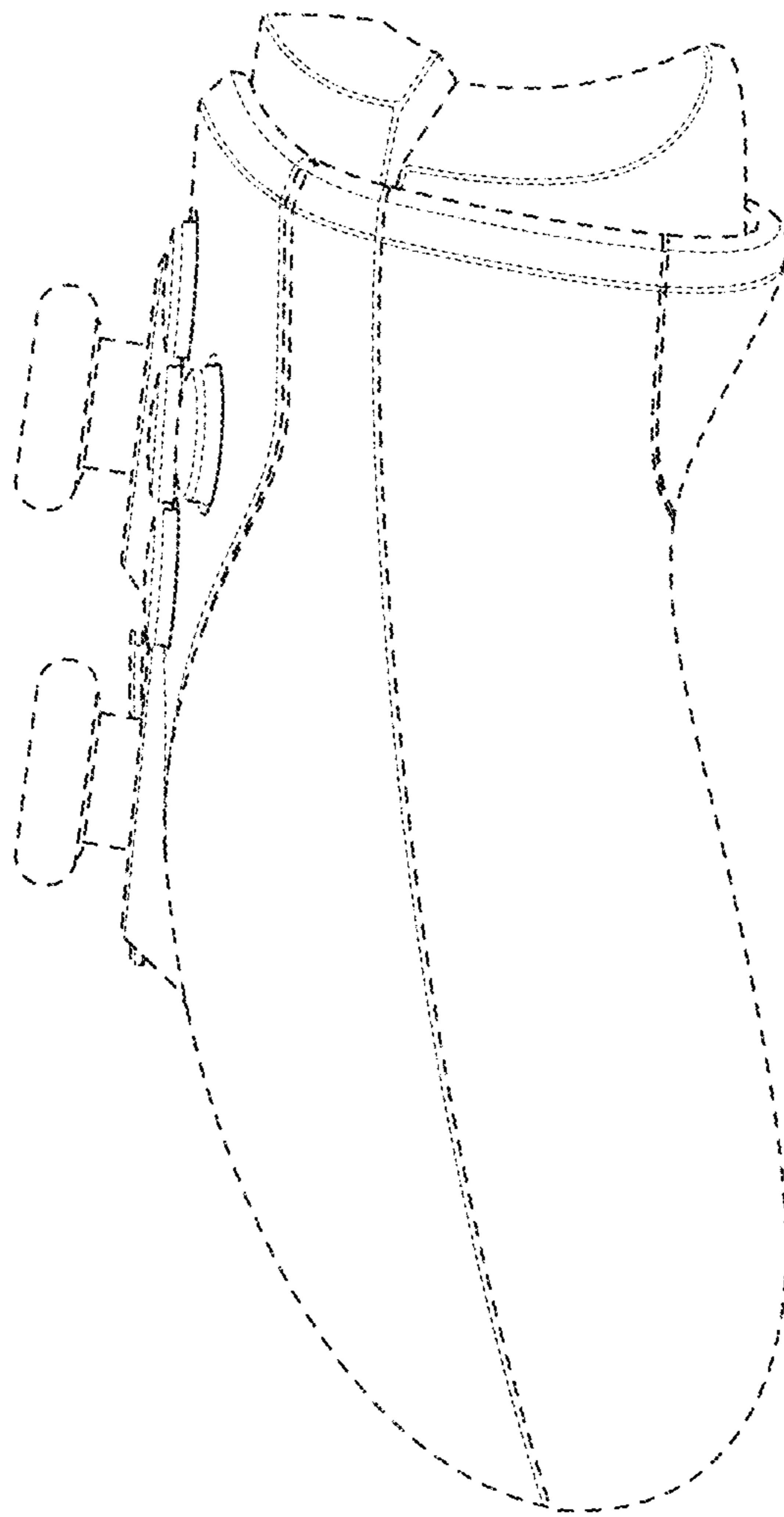


FIG. 6

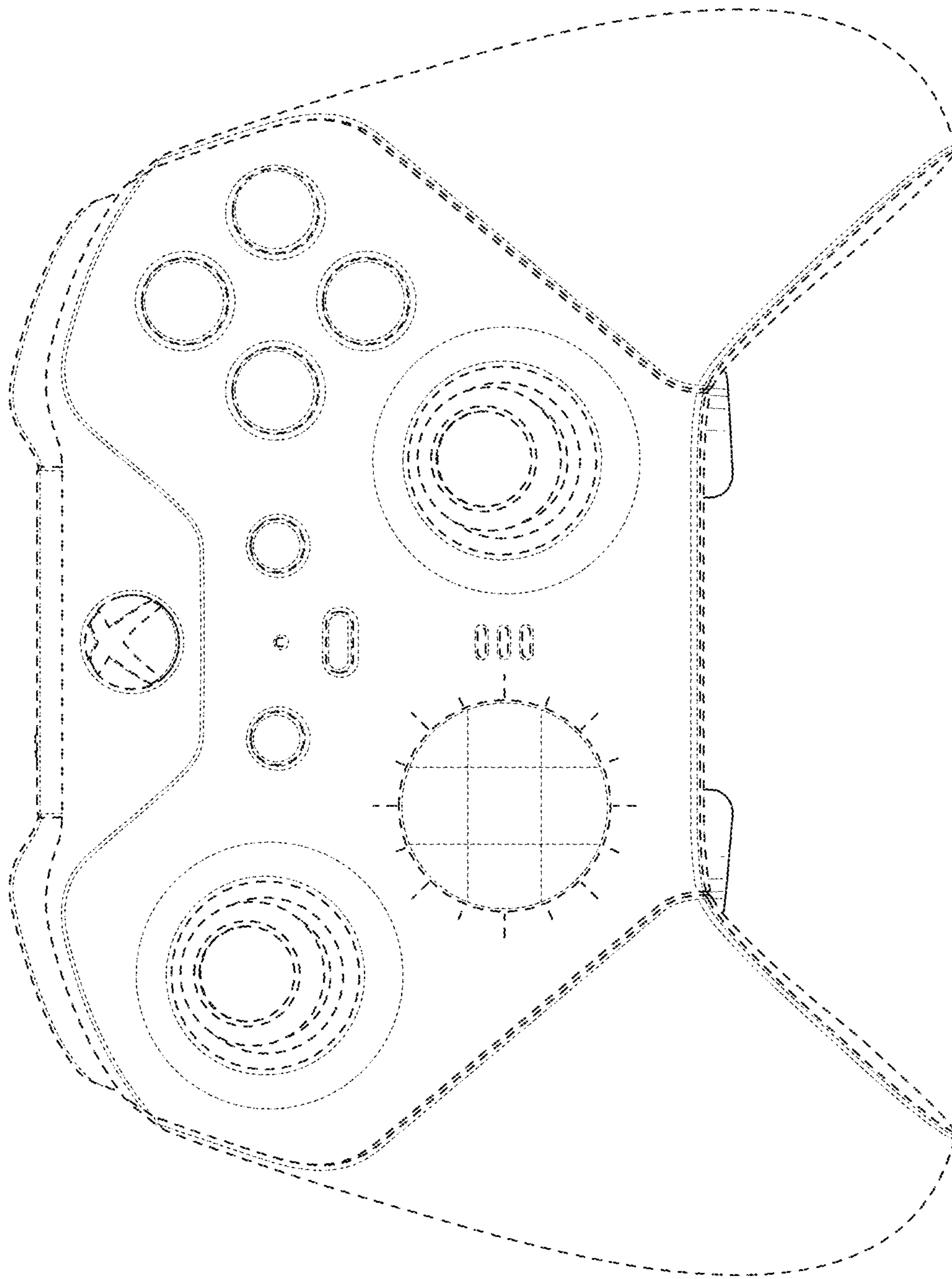


FIG. 7

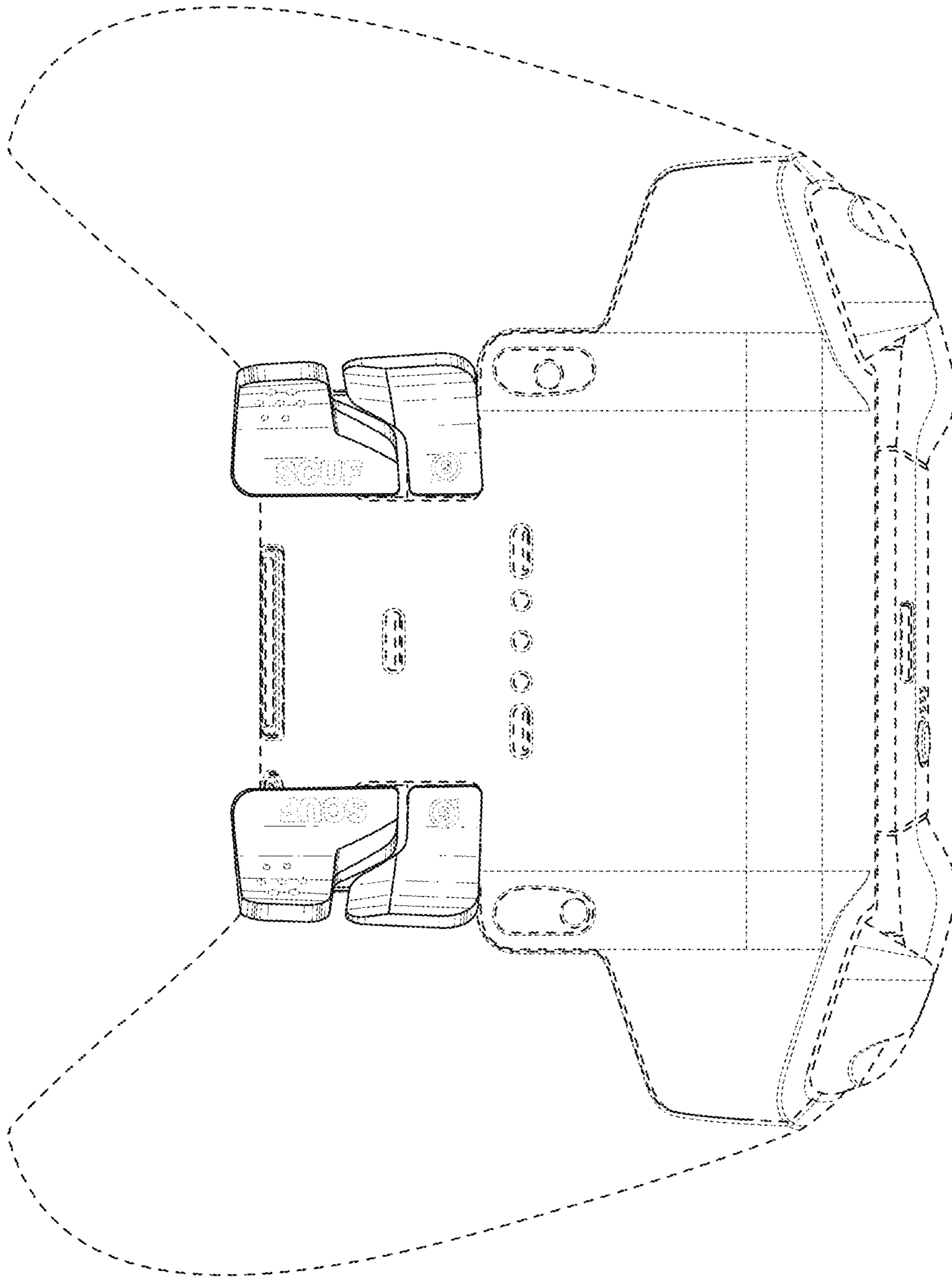


FIG. 8

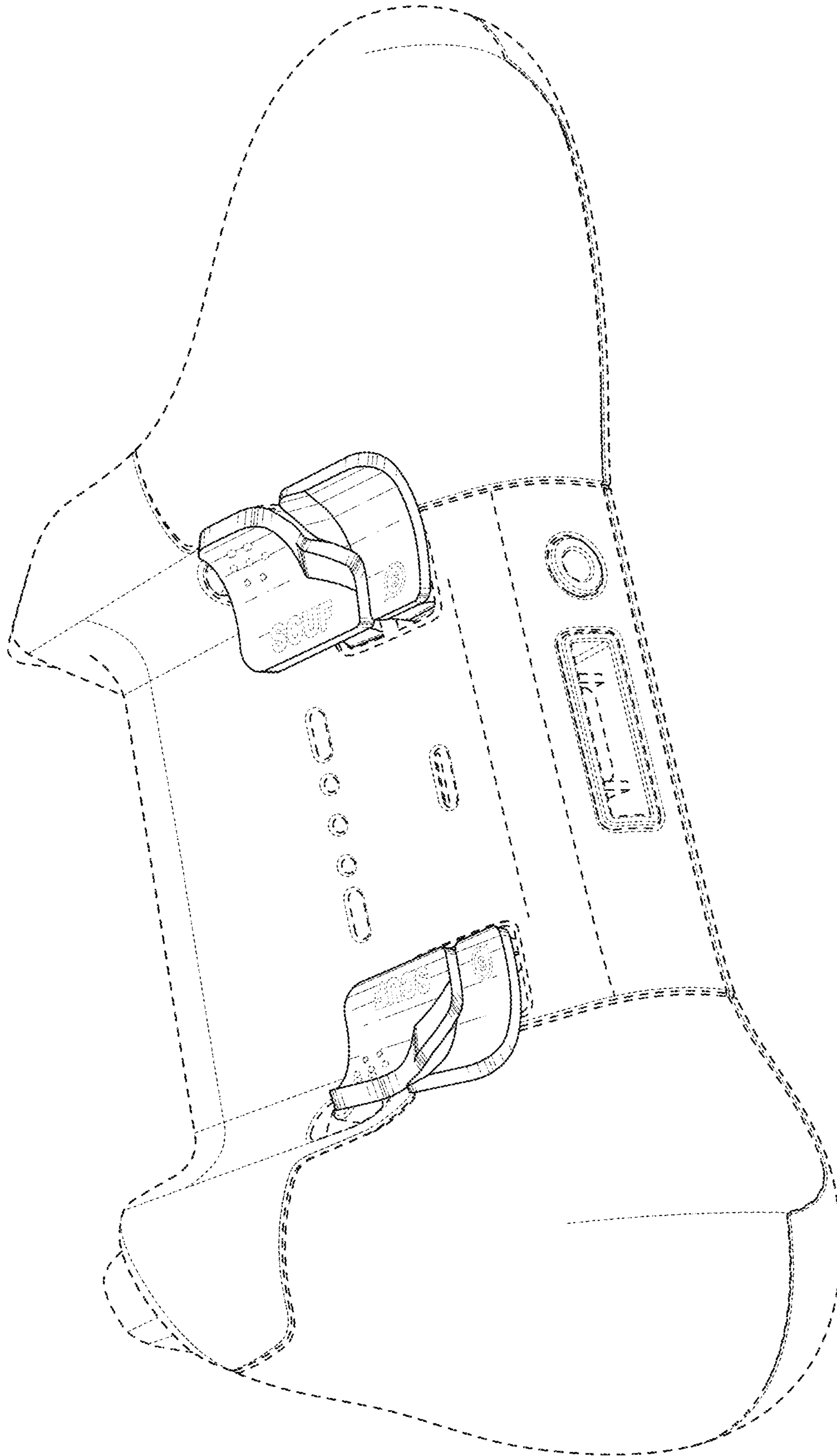


FIG. 9

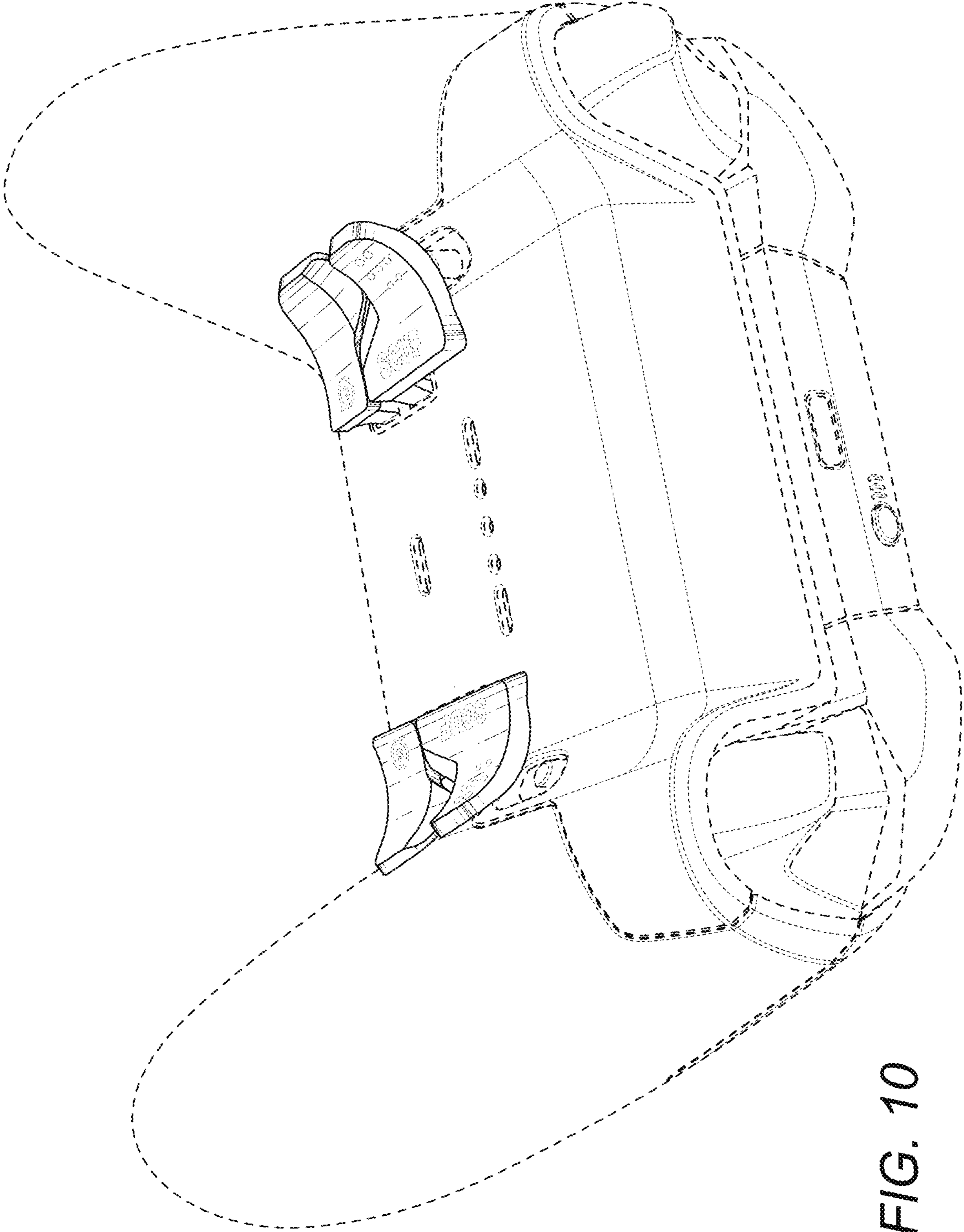


FIG. 10

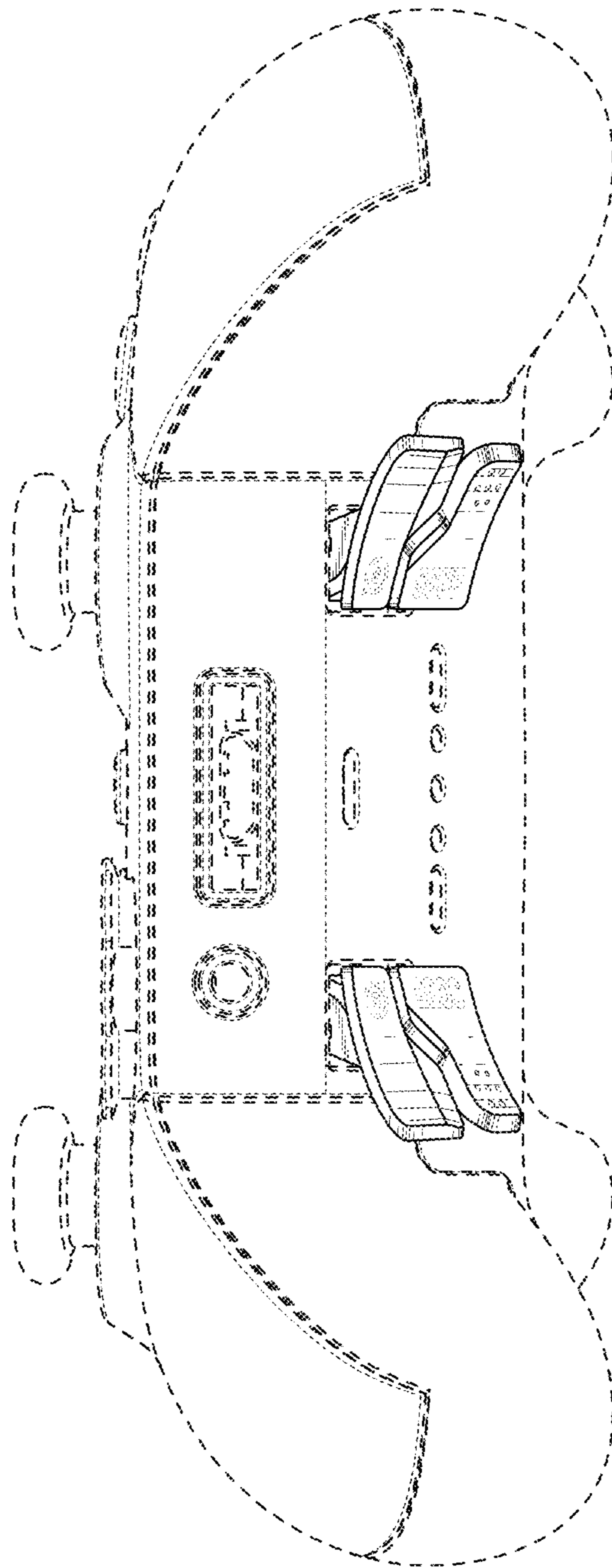


FIG. 11

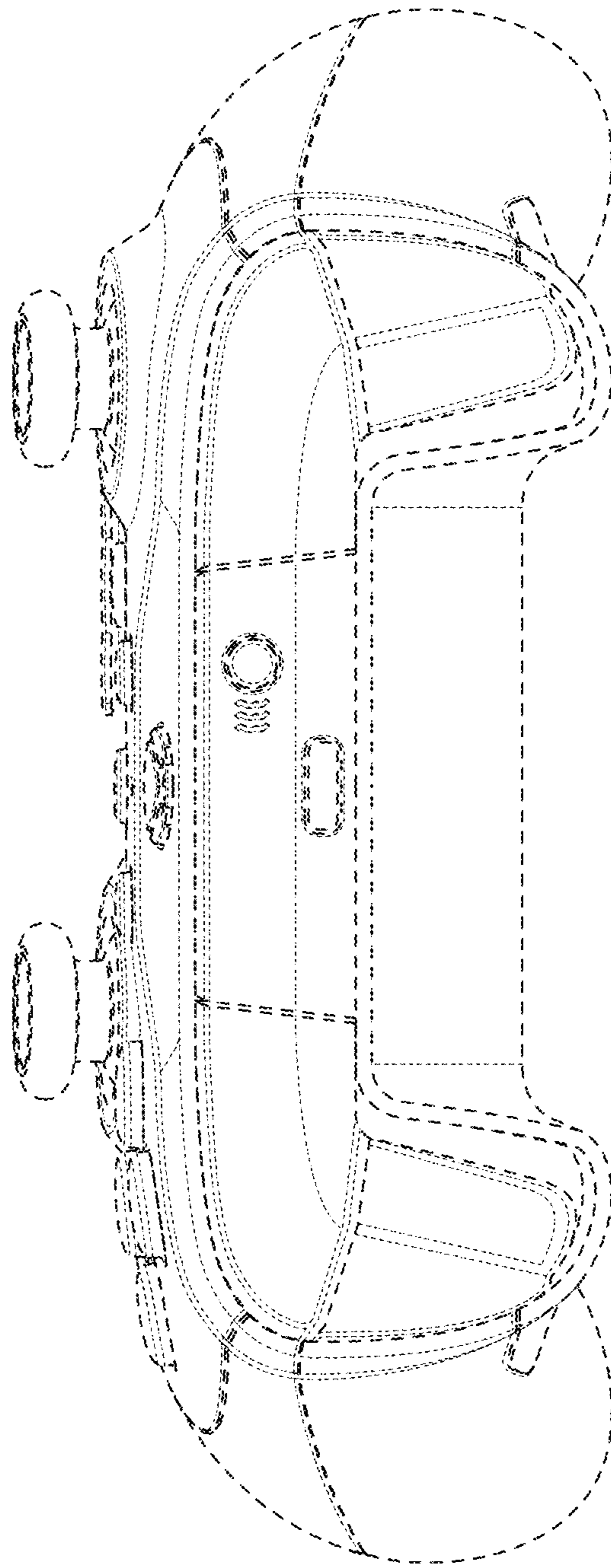


FIG. 12

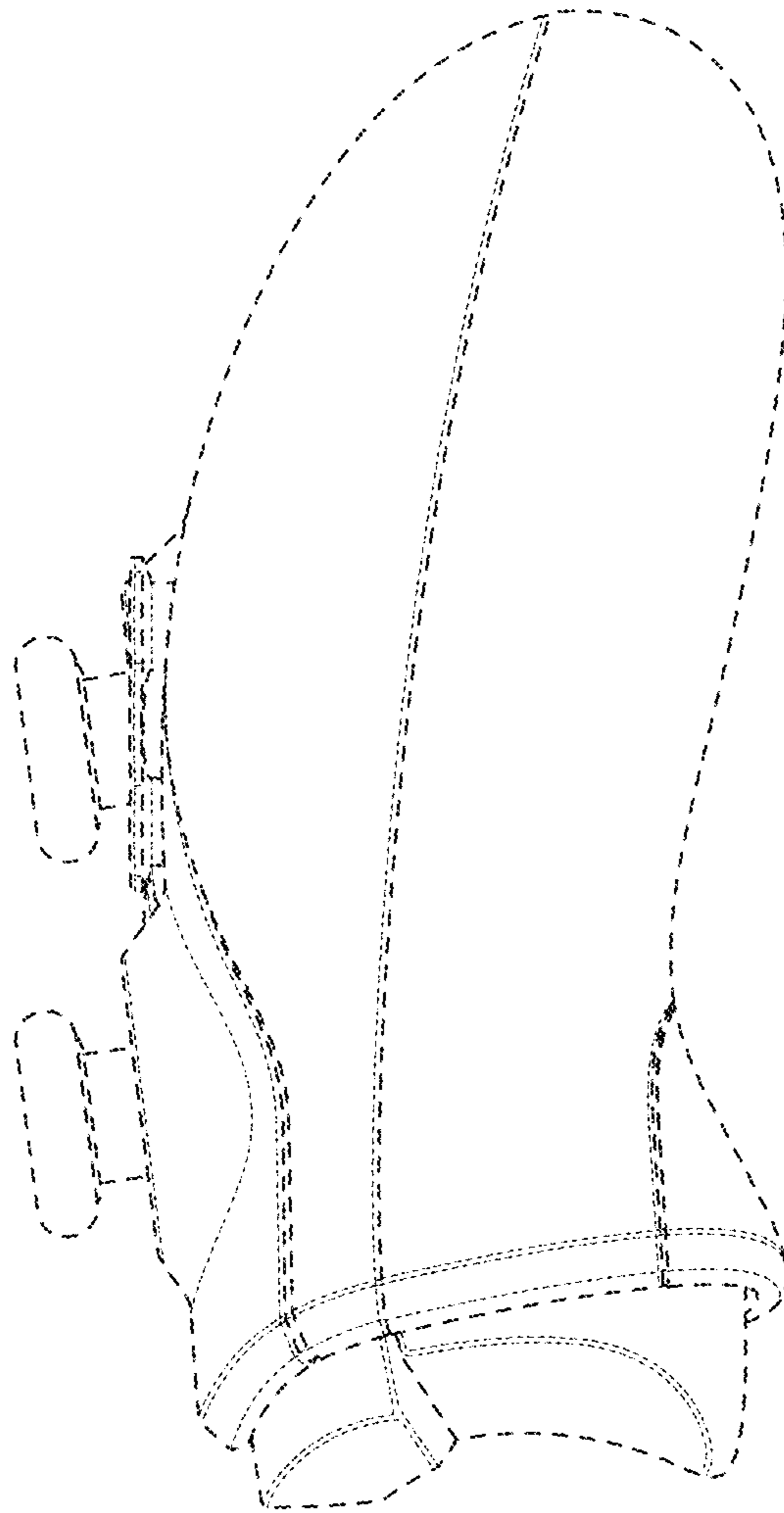


FIG. 13

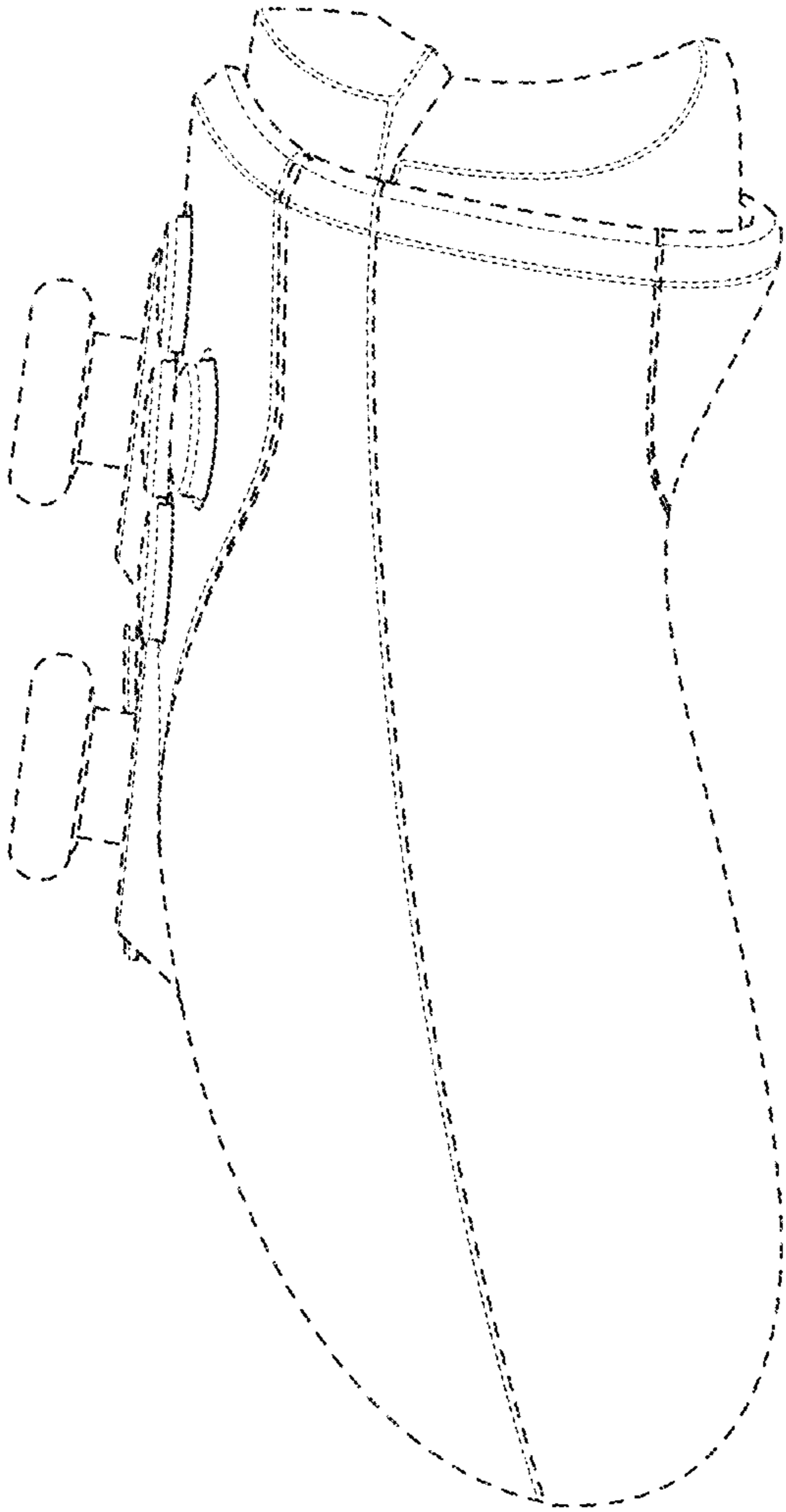


FIG. 14

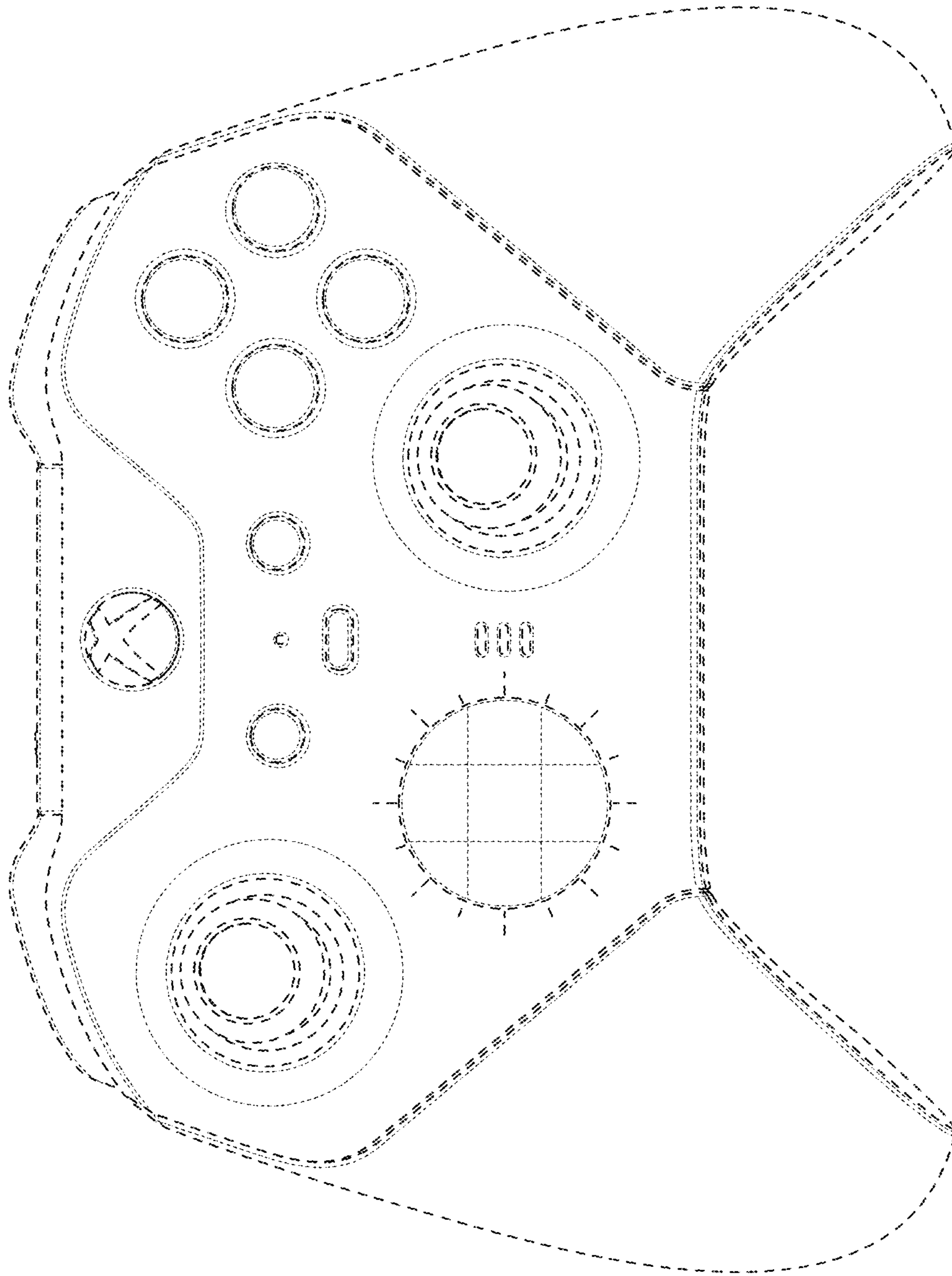


FIG. 15

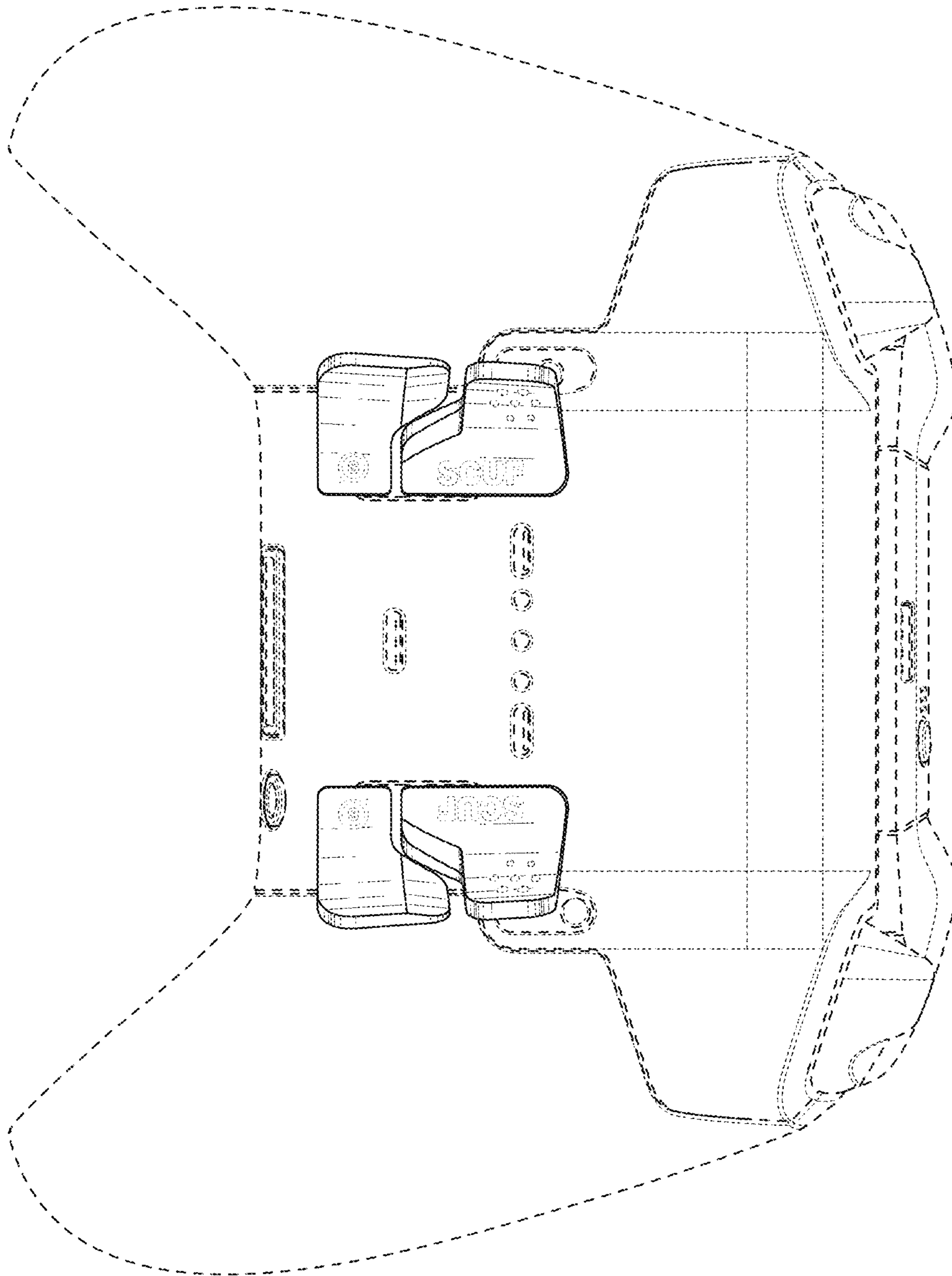


FIG. 16