



US00D983268S

(12) **United States Design Patent**
Ma

(10) **Patent No.:** **US D983,268 S**
(45) **Date of Patent:** **** Apr. 11, 2023**

(54) **CONSOLE**

(71) Applicant: **Beijing Jinding Hanke Technology Development Co., Ltd., Beijing (CN)**

(72) Inventor: **Xiaojiang Ma, Sanhe (CN)**

(73) Assignee: **Beijing Jinding Hanke Technology Development Co., Ltd., Beijing (CN)**

(**) Term: **15 Years**

(21) Appl. No.: **29/848,433**

(22) Filed: **Aug. 2, 2022**

(51) **LOC (14) Cl.** **21-01**

(52) **U.S. Cl.**
USPC **D21/325; D14/172**

(58) **Field of Classification Search**
USPC D14/172–173, 188, 203.1–203.7, 265,
D14/324, 496; D21/324–326, 329, 330,
D21/332, 333

CPC A63F 9/00; A63F 9/24
See application file for complete search history.

(56) **References Cited**

U.S. PATENT DOCUMENTS

D513,617 S *	1/2006	Tierney	D14/496
D525,968 S *	8/2006	Peng	D14/300
D526,648 S *	8/2006	Andre	D14/314
D601,583 S *	10/2009	Andre	D14/496
D650,394 S *	12/2011	Seoc	D14/496
D692,849 S *	11/2013	Choi	D14/188
D699,694 S *	2/2014	Son	D14/125
D745,480 S *	12/2015	Mathews	D14/125
D752,529 S *	3/2016	Loretan	D14/125
D765,073 S *	8/2016	Niizawa	D14/356
D857,640 S	8/2019	Odryna et al.		

D890,760 S *	7/2020	Menendez	D14/434
D916,934 S *	4/2021	Sun	D15/7
D948,490 S *	4/2022	Harley	D14/240
D968,345 S *	11/2022	Marten	D14/125
D968,346 S *	11/2022	Marten	D14/125

OTHER PUBLICATIONS

“Retro Game Console Super Console X2” Oct. 11, 2022, site visited Nov. 29, 2022, Amazon.ca: [https://www.amazon.ca/Kinhank-Console-Emulator-Consoles-Compatible/dp/B0BHQ6NCQJ/\(Year: 2022\).*](https://www.amazon.ca/Kinhank-Console-Emulator-Consoles-Compatible/dp/B0BHQ6NCQJ/(Year: 2022).*)

* cited by examiner

Primary Examiner — Michael C Stout

Assistant Examiner — Melvin L Davis

(74) *Attorney, Agent, or Firm* — Nitin Kaushik

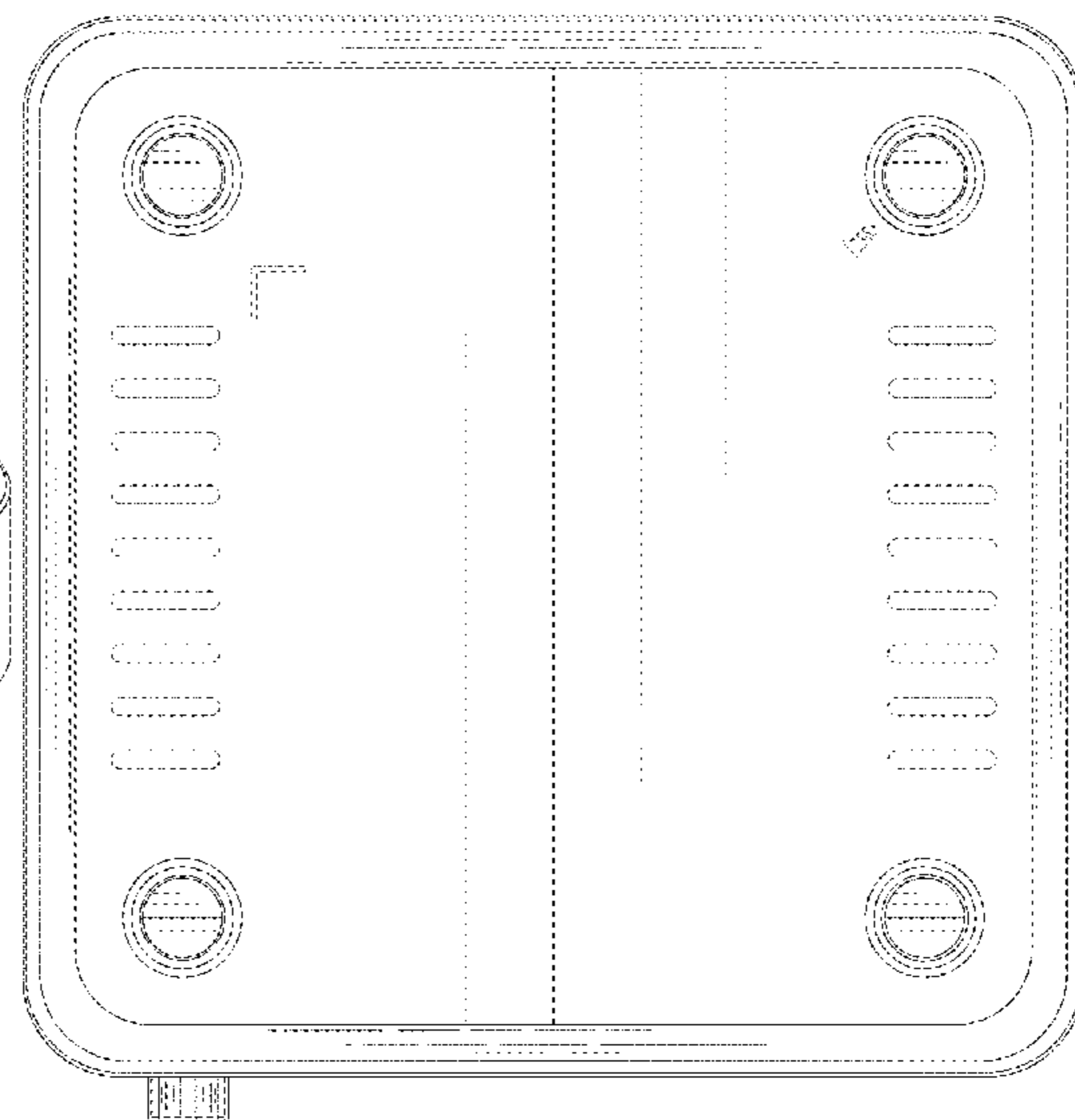
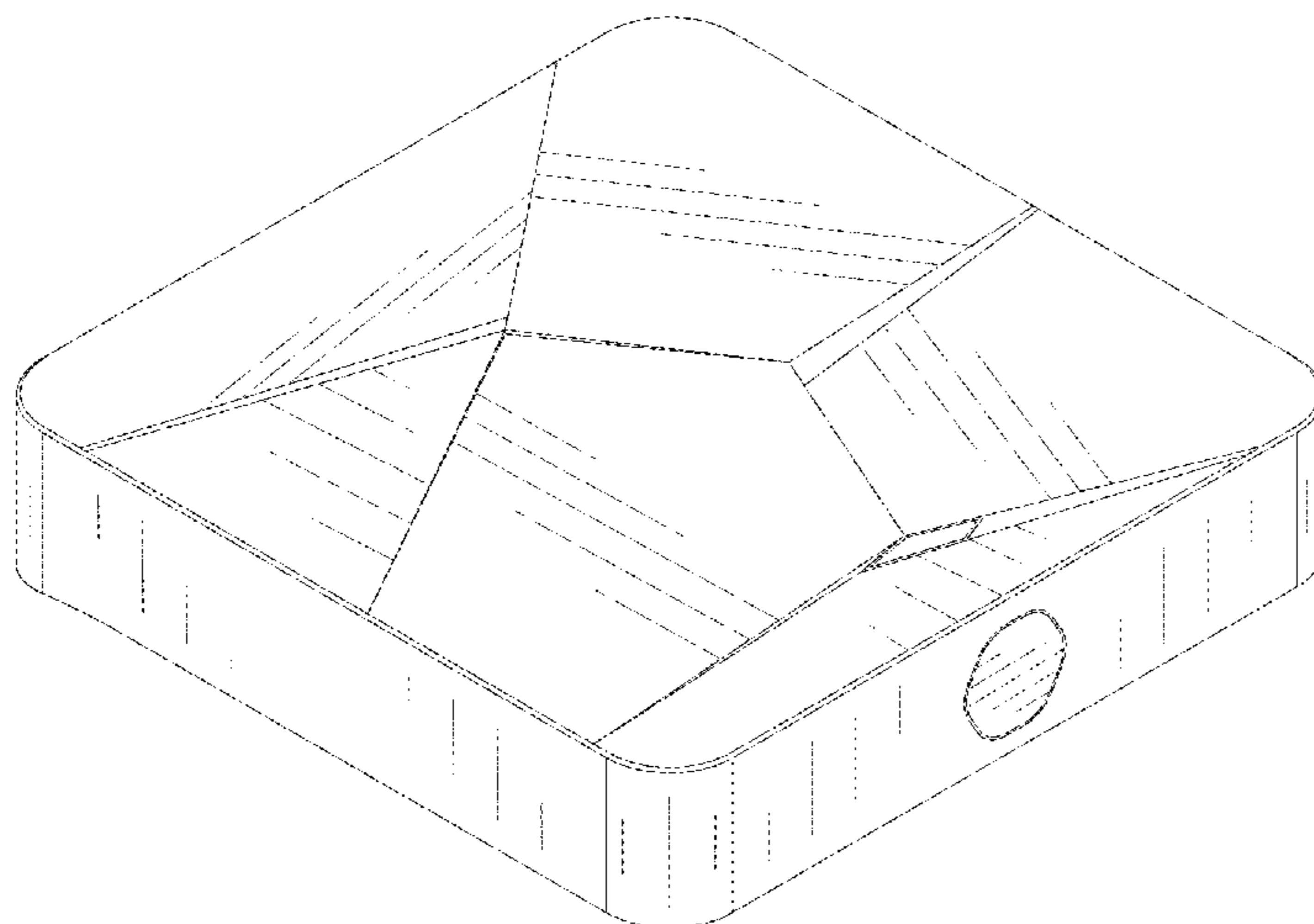
(57) **CLAIM**

The ornamental design for a console, as shown and described.

DESCRIPTION

FIG. 1 is a front perspective view of a console, showing my new design;
FIG. 2 is a front view thereof;
FIG. 3 is a rear view thereof;
FIG. 4 is a left side view thereof;
FIG. 5 is a right side view thereof;
FIG. 6 is a top view thereof; and,
FIG. 7 is a bottom view thereof.
The broken lines in the drawings illustrate the portions of the console, which form no part of the claimed design.

1 Claim, 7 Drawing Sheets



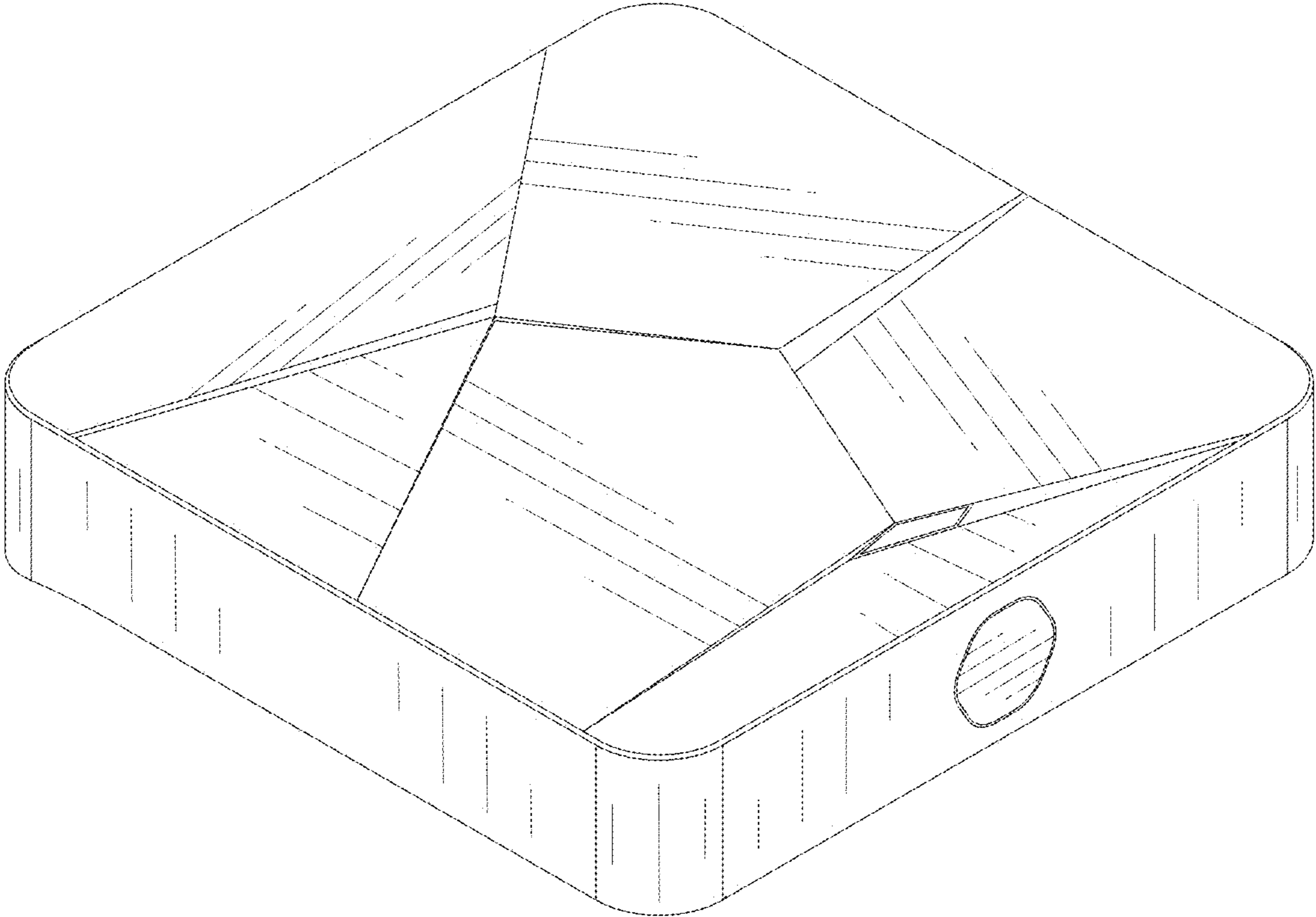


FIG. 1

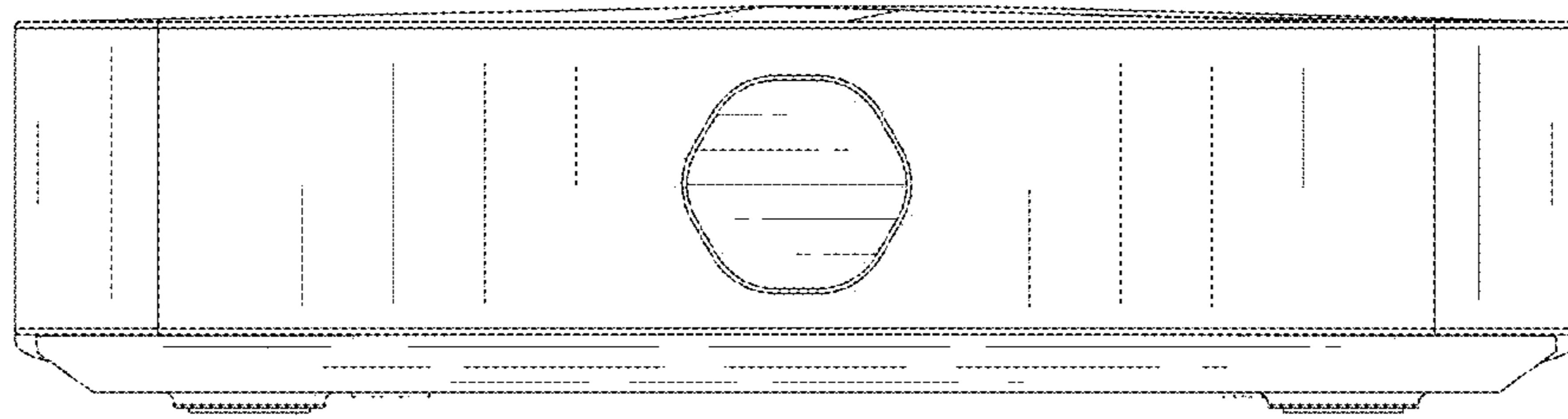


FIG. 2

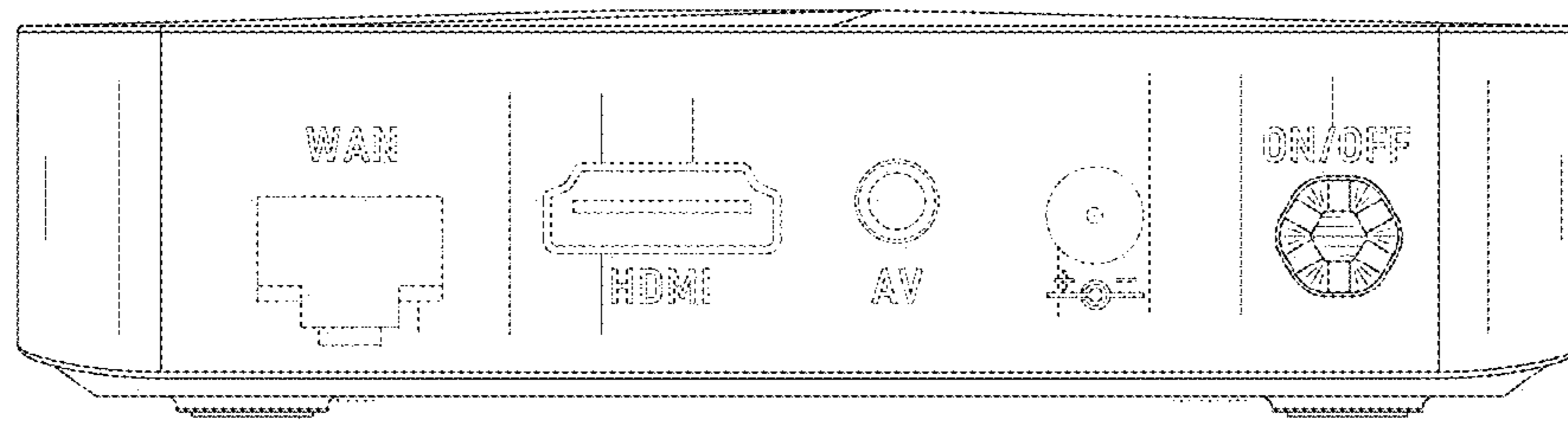


FIG. 3

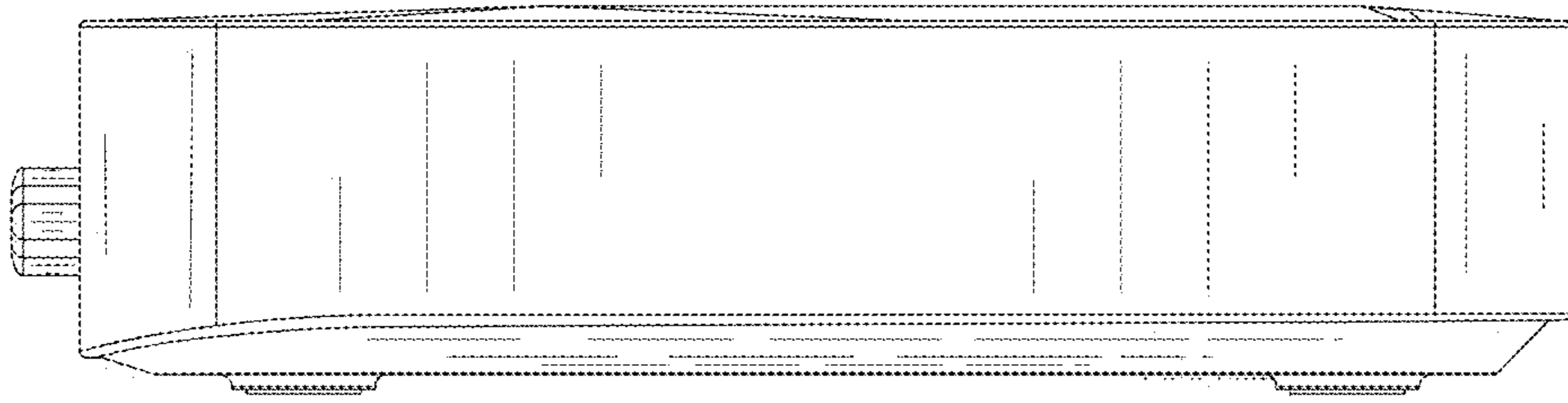


FIG. 4

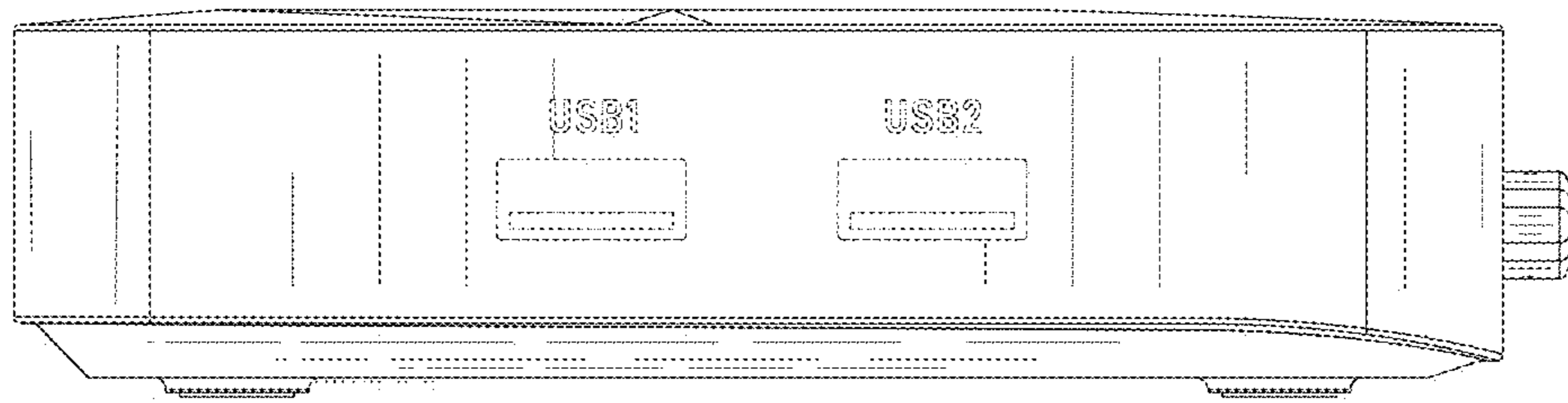


FIG. 5

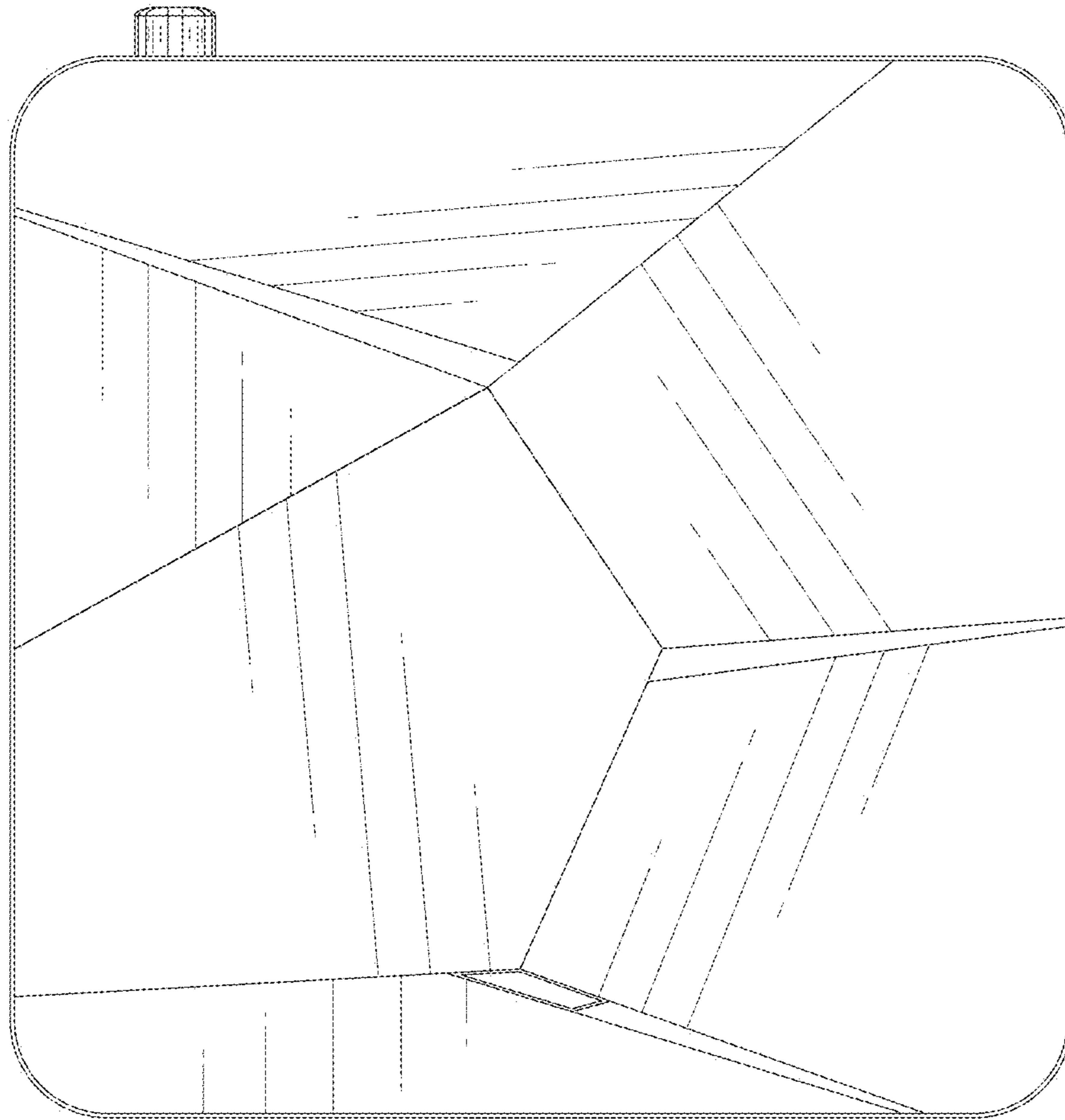


FIG. 6

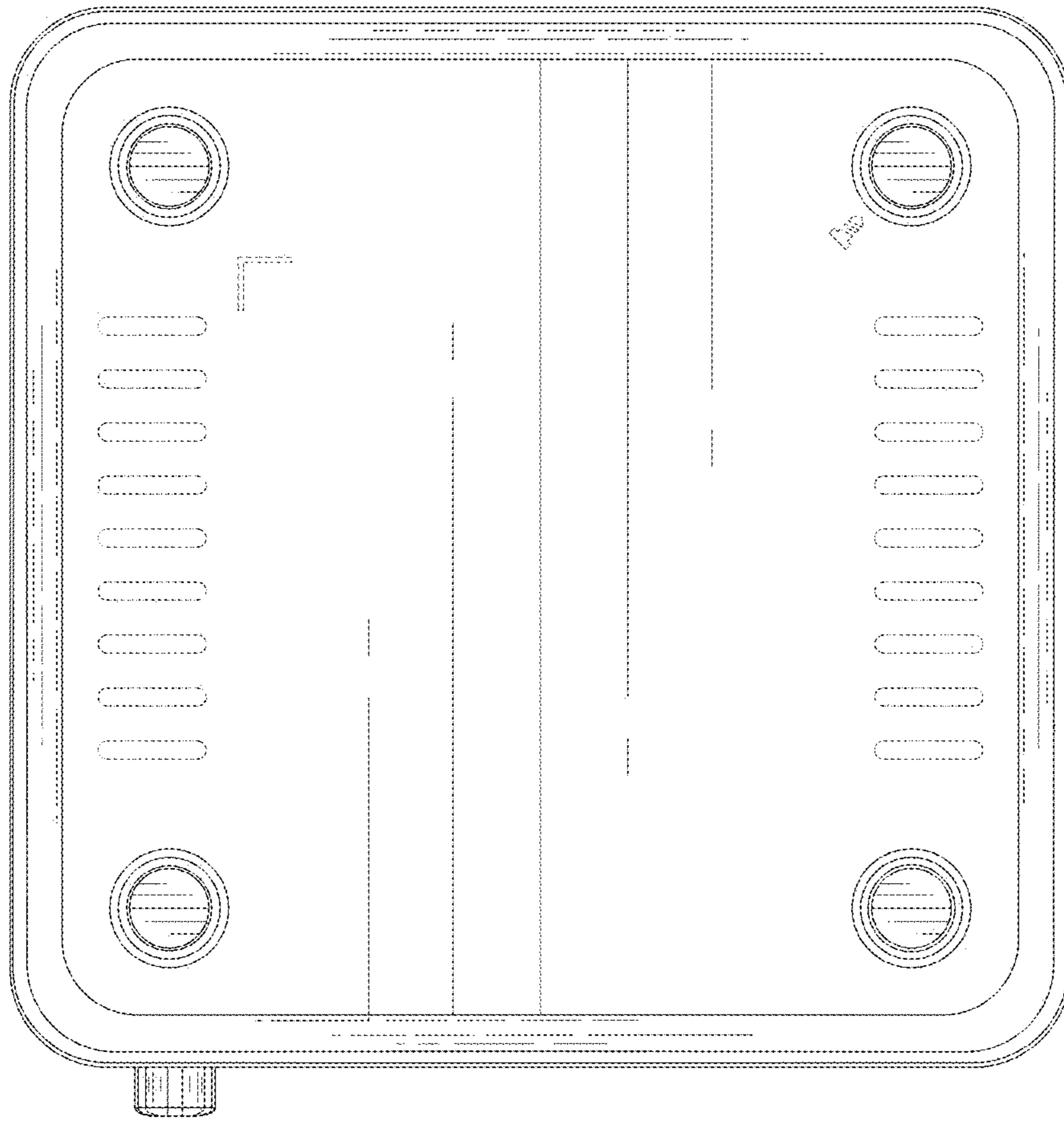


FIG. 7