



US00D983267S

(12) **United States Design Patent** (10) **Patent No.:** **US D983,267 S**
Huang (45) **Date of Patent:** **** Apr. 11, 2023**

(54) **PINWHEEL TARGET**
(71) Applicant: **Jinshui Huang**, Shantou (CN)
(72) Inventor: **Jinshui Huang**, Shantou (CN)
(**) Term: **15 Years**
(21) Appl. No.: **29/842,095**
(22) Filed: **Jun. 10, 2022**

D856,462 S 8/2019 Wilson
D917,653 S * 4/2021 Howell D22/113
D917,654 S * 4/2021 Howell D22/113
D933,773 S * 10/2021 Howell D22/113
11,248,882 B2 * 2/2022 Howell F41J 7/00
2012/0256372 A1 * 10/2012 Rogers F41J 7/04
273/127 R
2015/0069709 A1 * 3/2015 Doria F41J 1/10
273/407
2015/0330748 A1 * 11/2015 Anzalone F41J 1/10
273/390
2019/0063884 A1 * 2/2019 McBride F41J 5/10
2021/0102787 A1 * 4/2021 Howell F41J 1/10

(30) **Foreign Application Priority Data**

Jan. 17, 2022 (CN) 202230029827.0
(51) **LOC (14) Cl.** **21-01**
(52) **U.S. Cl.**
USPC **D21/306**
(58) **Field of Classification Search**
USPC D21/302, 324, 330, 790, 791; D22/112,
D22/113, 199; D20/19, 20, 21, 24,
D20/25-28, 41
CPC . F41J 5/10; F41J 7/00; F41J 7/04; F41J 9/02;
F41J 5/205; F41J 5/14; F41J 11/00; G06T
7/70; A63B 69/0071
See application file for complete search history.

(56) **References Cited**

U.S. PATENT DOCUMENTS
D197,269 S * 1/1964 Lewis D21/458
D201,657 S * 7/1965 Lewis D21/458
3,552,749 A * 1/1971 Piggotte A63B 69/0071
473/448
D255,292 S * 6/1980 Gibson D6/681.1
D329,665 S * 9/1992 Carroll D21/306
D382,599 S * 8/1997 Starrett D21/306
D655,756 S * 3/2012 Robertson D21/302
9,228,809 B1 * 1/2016 Relyea F41J 9/02
9,513,091 B2 * 12/2016 Roberts F41J 1/01
9,702,667 B1 * 7/2017 Gutierrez F41J 9/02
D815,241 S * 4/2018 Woller D22/113

OTHER PUBLICATIONS

“IFLOVE Shooting Games Toys” posted Sep. 29, 2021[Online],[retrieved Oct. 7, 2022]. Retrieved from Internet:<https://amzn.to/3yqoPMv>.*

* cited by examiner

Primary Examiner — Mehri F Bajoul

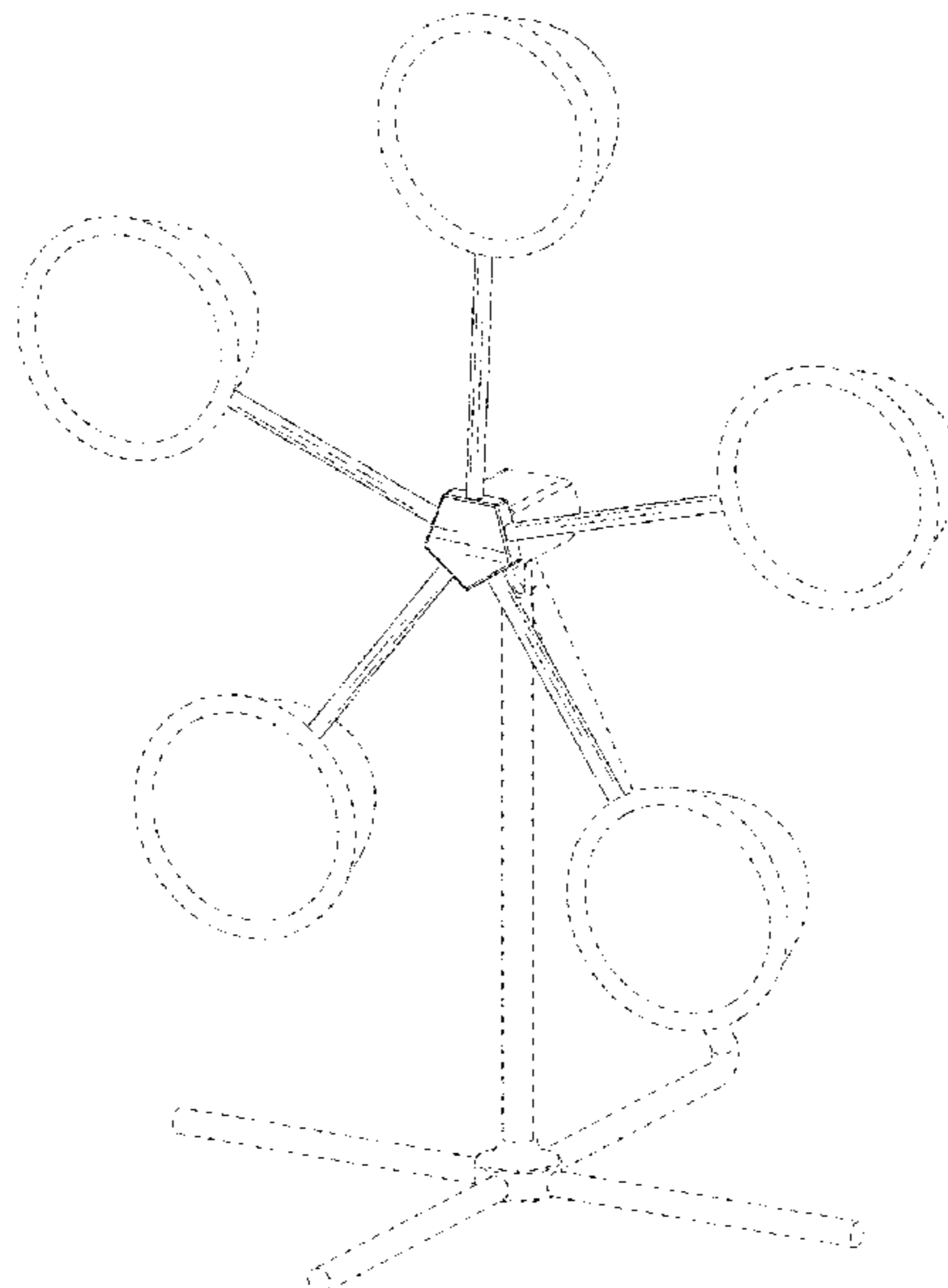
(57) **CLAIM**

The ornamental design for a pinwheel target, as shown and described.

DESCRIPTION

FIG. 1 is a front and top perspective view of a pinwheel target, showing my new design;
FIG. 2 is a front elevation view thereof;
FIG. 3 is a rear elevation view thereof;
FIG. 4 is a left side elevation view thereof;
FIG. 5 is a right side elevation view thereof;
FIG. 6 is a top plan view thereof; and,
FIG. 7 is a bottom plan view thereof.
The broken lines in the figures illustrate portions of the pinwheel target that form no part of the claimed design.

1 Claim, 7 Drawing Sheets



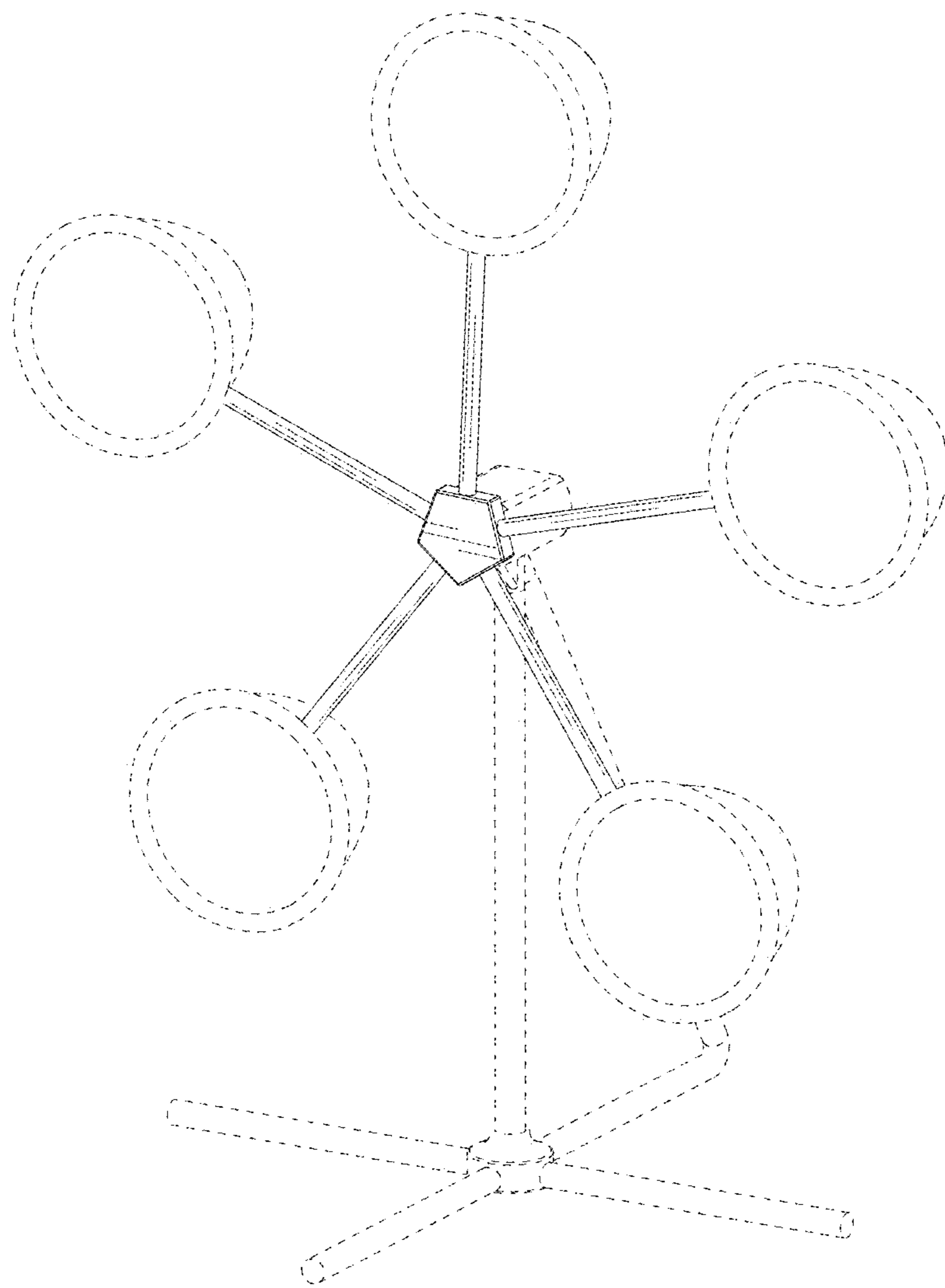


FIG. 1

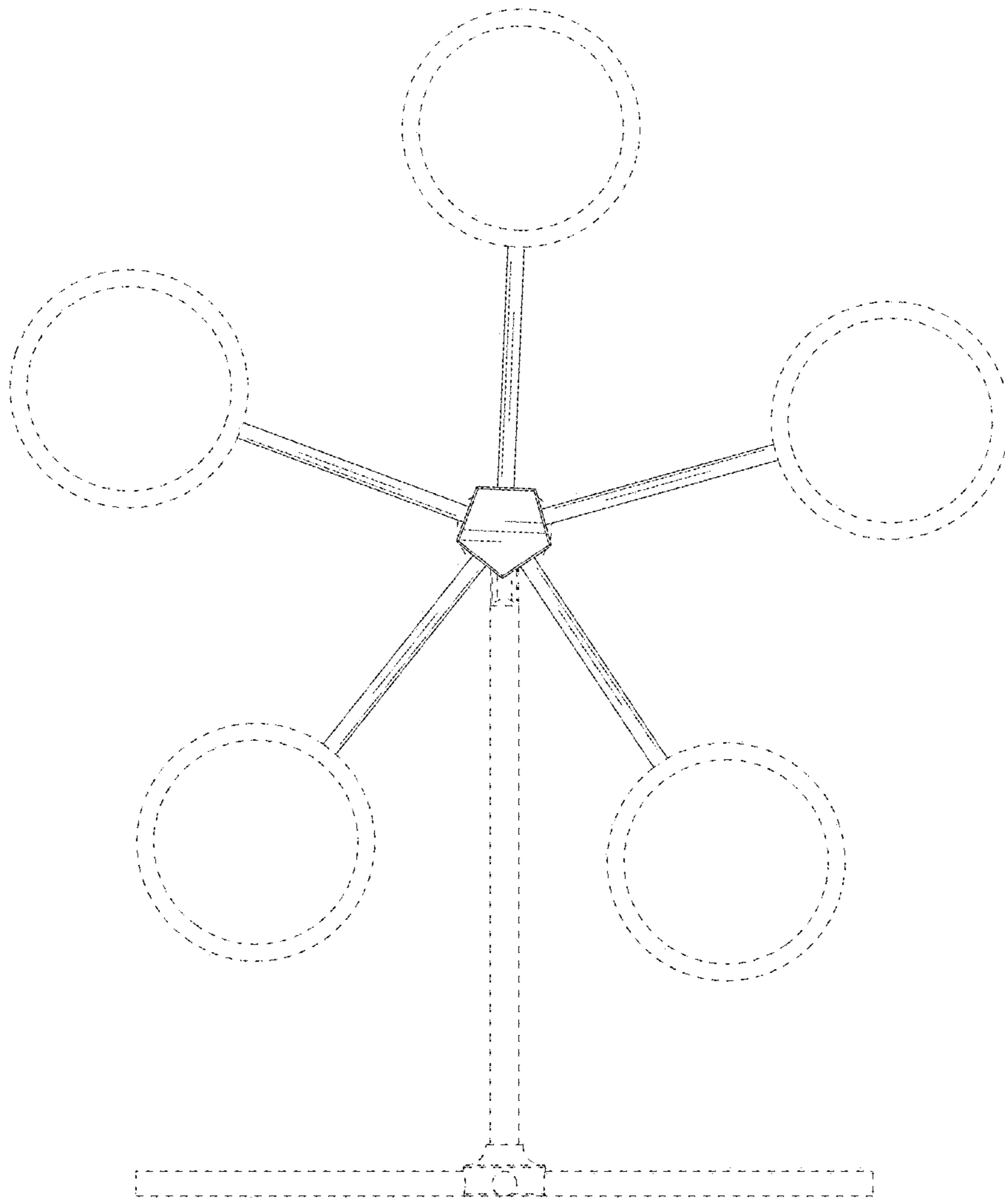


FIG. 2

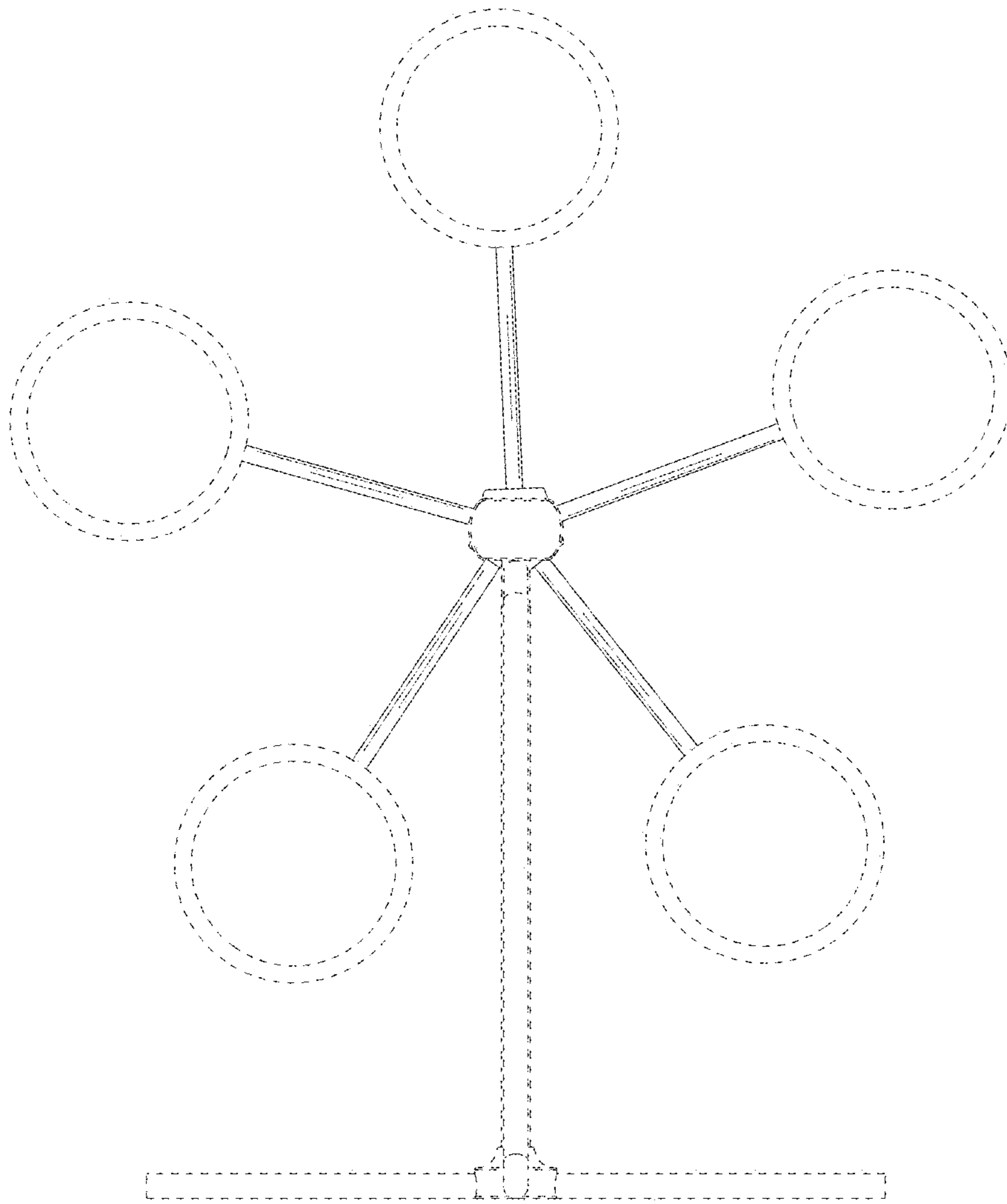


FIG. 3

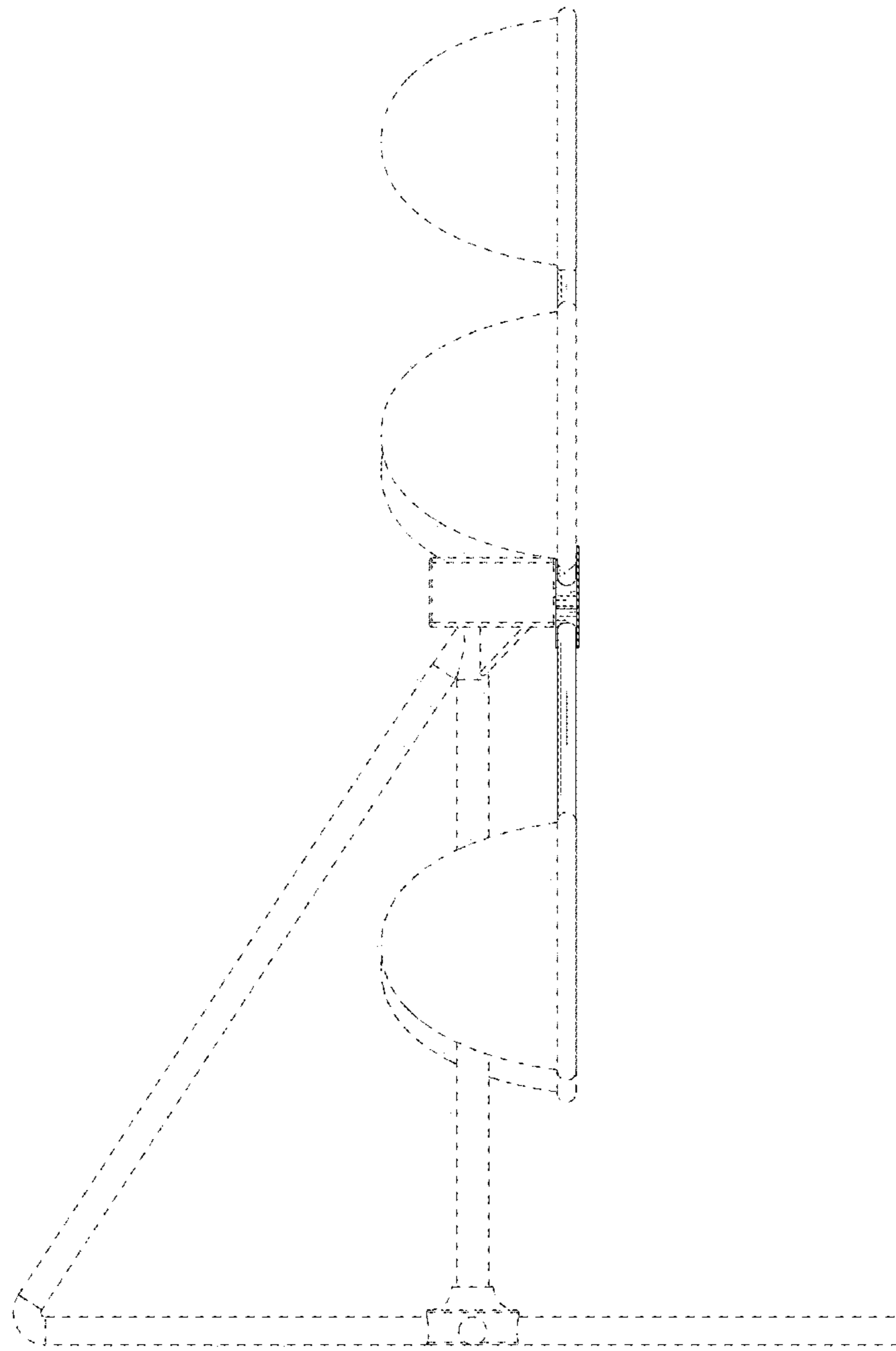


FIG. 4

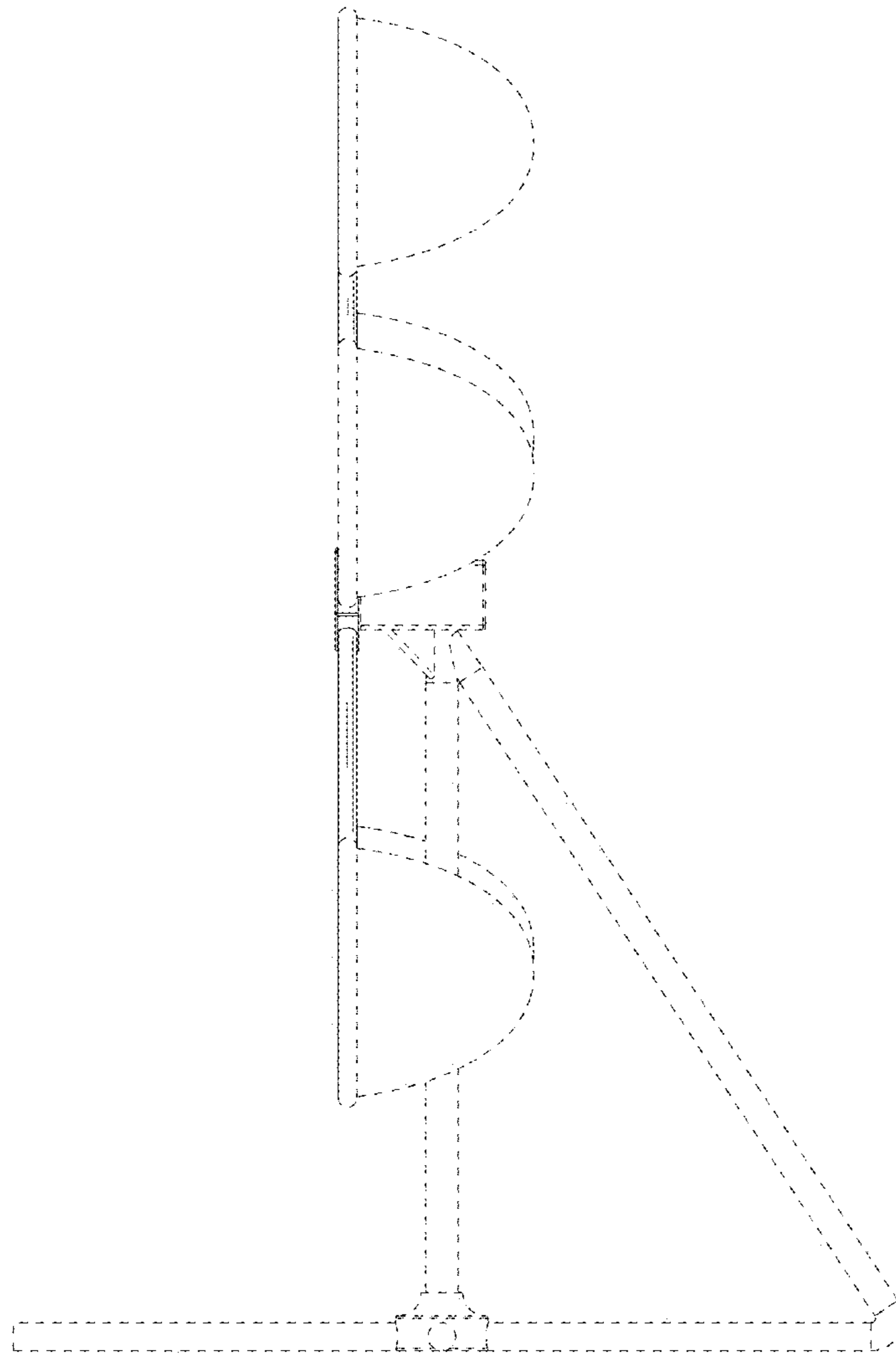


FIG. 5

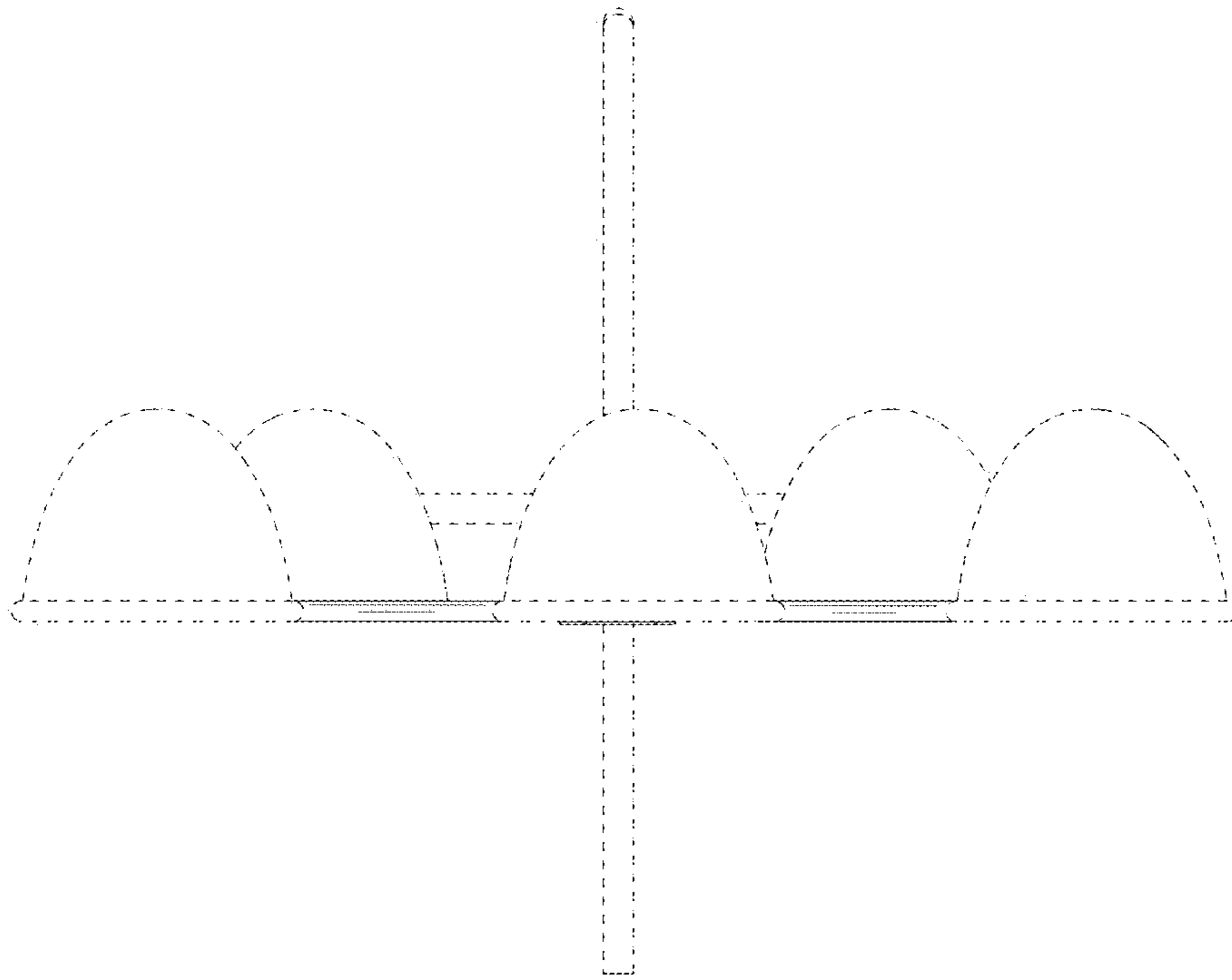


FIG. 6

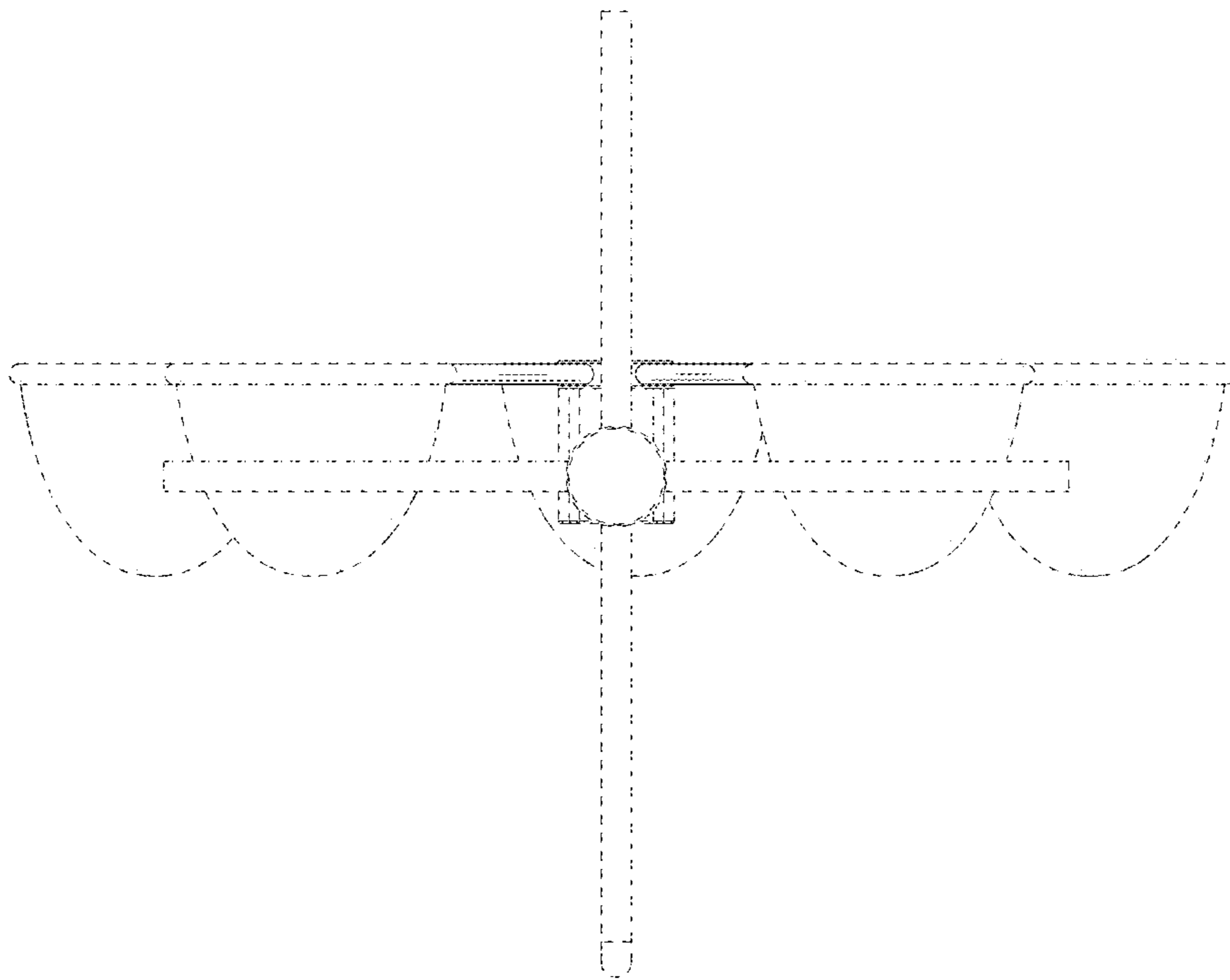


FIG. 7