



US00D983264S

(12) **United States Design Patent**
Yang

(10) **Patent No.:** **US D983,264 S**
(45) **Date of Patent:** **** Apr. 11, 2023**

(54) **PEN HOLDER**

9,131,740 B2 * 9/2015 Renaud A42B 3/0406
D861,471 S * 10/2019 Ild D8/394
D908,793 S * 1/2021 Magaudda D19/81

(71) Applicant: **Guangzhou Hongri Electronic
Commerce Co., Ltd., Guangzhou (CN)**

FOREIGN PATENT DOCUMENTS

(72) Inventor: **Hongjun Yang, Jingmen (CN)**

GB 4032975 * 12/2013
JP D1501098 * 6/2014
KR 301142237.0000 * 12/2021

(73) Assignee: **Guangzhou Hongri Electronic
Commerce Co., Ltd., Guangzhou (CN)**

OTHER PUBLICATIONS

(**) Term: **15 Years**

Amazon. Link: <https://www.amazon.com/Rurili-Plastic-Sticking-Diameter-Whiteboard/dp/B08NWNKY58/>. Nov. 20, 2020. Rurili Large White Plastic Pen Holder Clip. (Year: 2020).
The Gadgeteer. Link: <https://the-gadgeteer.com/2018/09/24/add-a-pen-holder-to-any-book-notebook-or-journal/>. Sep. 24, 2018. Add a pen holder to any book, notebook, or journal. (Year: 2018).
Yanko design. Link: <https://www.yankodesign.com/2021/06/23/lightbulb-shaped-binder-clip-also-holds-your-pen-for-jotting-down-your-next-million-dollar-idea/>. Jun. 23, 2021. Lightbulb-shaped binder clip. (Year: 2021).*

(21) Appl. No.: **29/853,135**

(22) Filed: **Sep. 13, 2022**

(51) **LOC (14) Cl.** **19-06**

(52) **U.S. Cl.**
USPC **D19/81**

(58) **Field of Classification Search**
USPC D19/75-84, 89, 94; D3/313, 304, 205,
D3/206; D8/394-396
CPC .. B43M 99/00; B43M 99/001; B43M 99/008;
B43M 99/009; A45C 11/34; A45C 11/36;
A45F 2200/0566; A45F 2200/0575; Y10S
312/902
See application file for complete search history.

* cited by examiner

Primary Examiner — Lauren D McVey
(74) *Attorney, Agent, or Firm* — Jeenam Park

(56) **References Cited**

U.S. PATENT DOCUMENTS

803,464 A * 10/1905 Beck F16L 3/237
24/339
D182,341 S * 3/1958 Pitcher 401/6
D223,640 S * 5/1972 Kemp D8/395
D286,976 S * 12/1986 Steck D8/394
D354,677 S * 1/1995 Troyer D3/215
5,575,446 A * 11/1996 Swenson A47G 33/10
248/306
D392,325 S * 3/1998 Cheris D7/555
D478,501 S * 8/2003 Yoko D8/395
D503,430 S * 3/2005 Chang D19/83
D651,248 S 12/2011 Yuan
D704,769 S * 5/2014 Penington D19/81

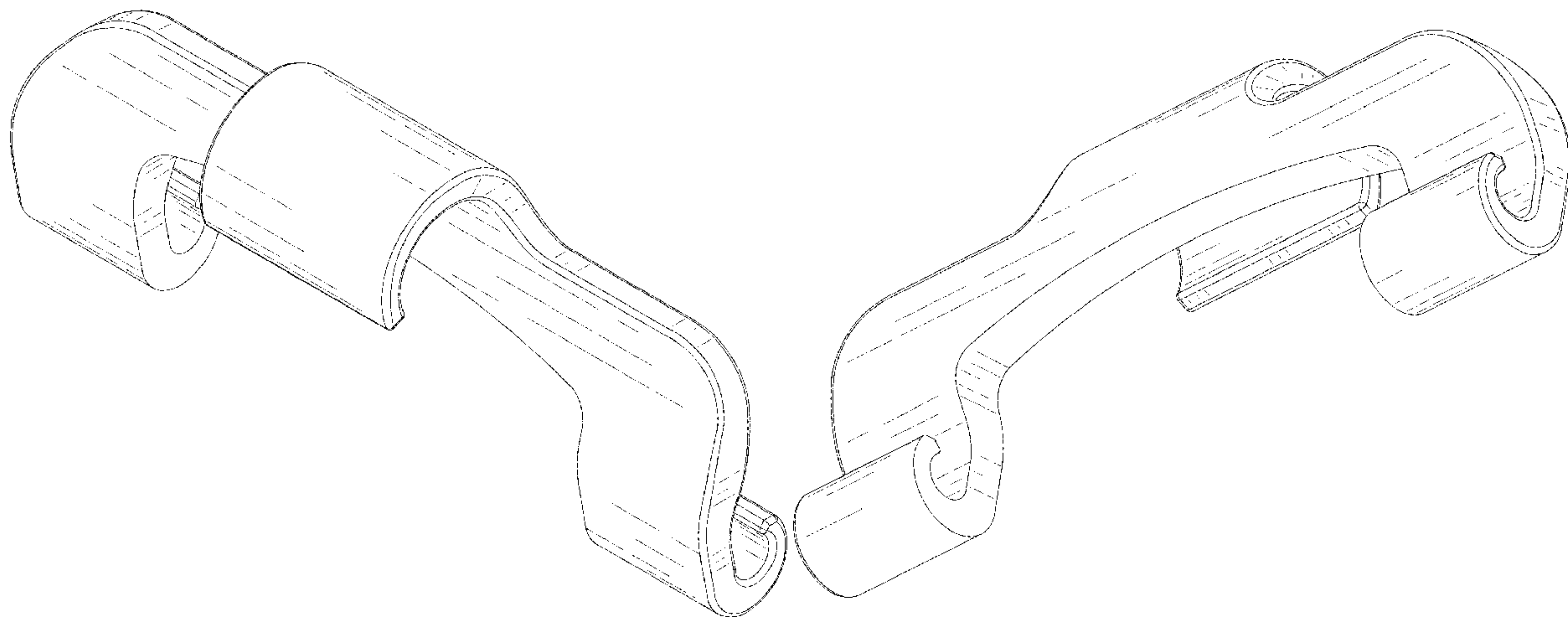
(57) **CLAIM**

The ornamental design for a pen holder, as shown and described.

DESCRIPTION

FIG. 1 is a front, right and top perspective view of a pen holder, showing my new design;
FIG. 2 is a rear, left and bottom perspective view thereof;
FIG. 3 is a front view thereof;
FIG. 4 is a rear view thereof;
FIG. 5 is a left side view thereof;
FIG. 6 is a right side view thereof;
FIG. 7 is a top plan view thereof; and,
FIG. 8 is a bottom plan view thereof.

1 Claim, 8 Drawing Sheets



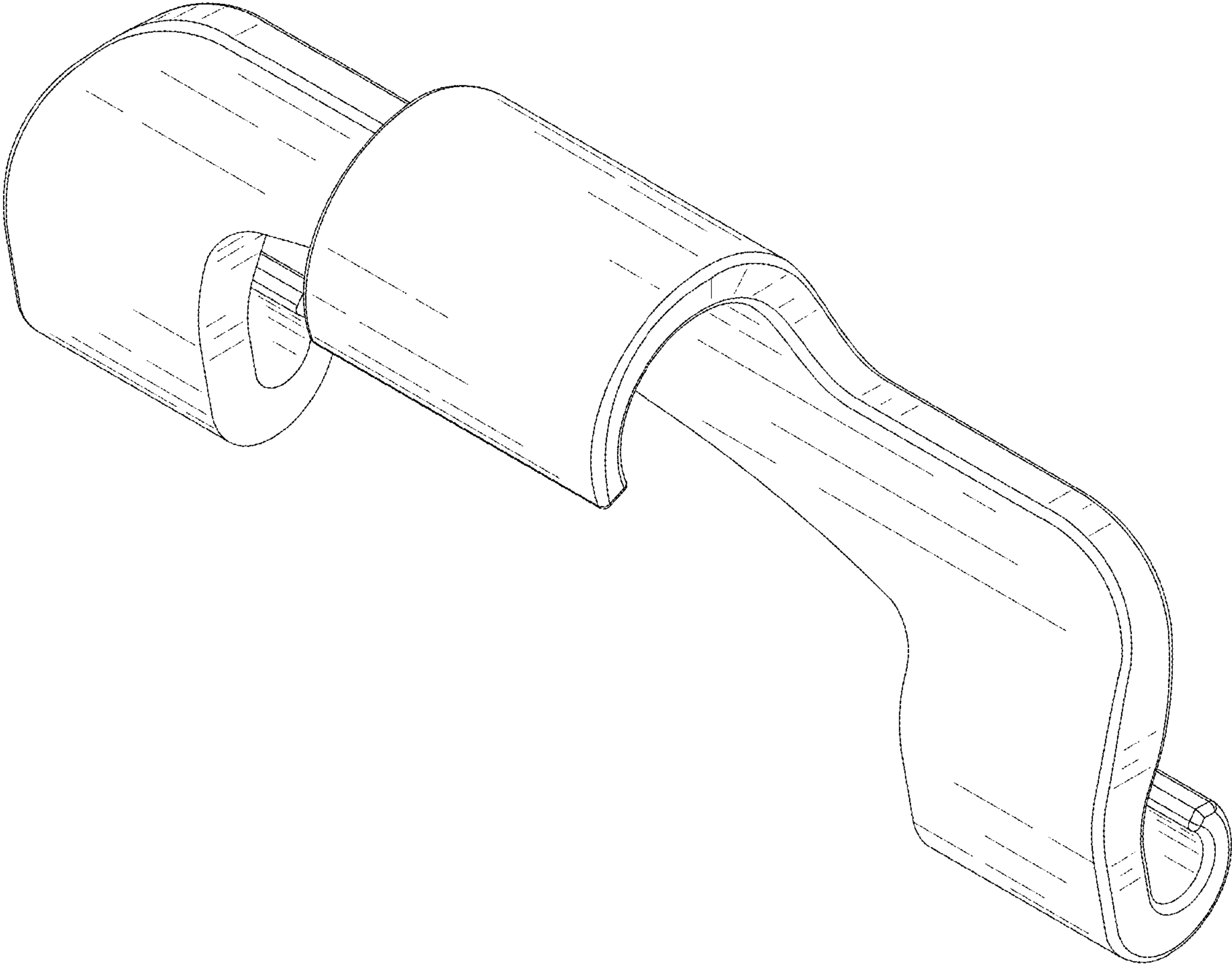


FIG. 1

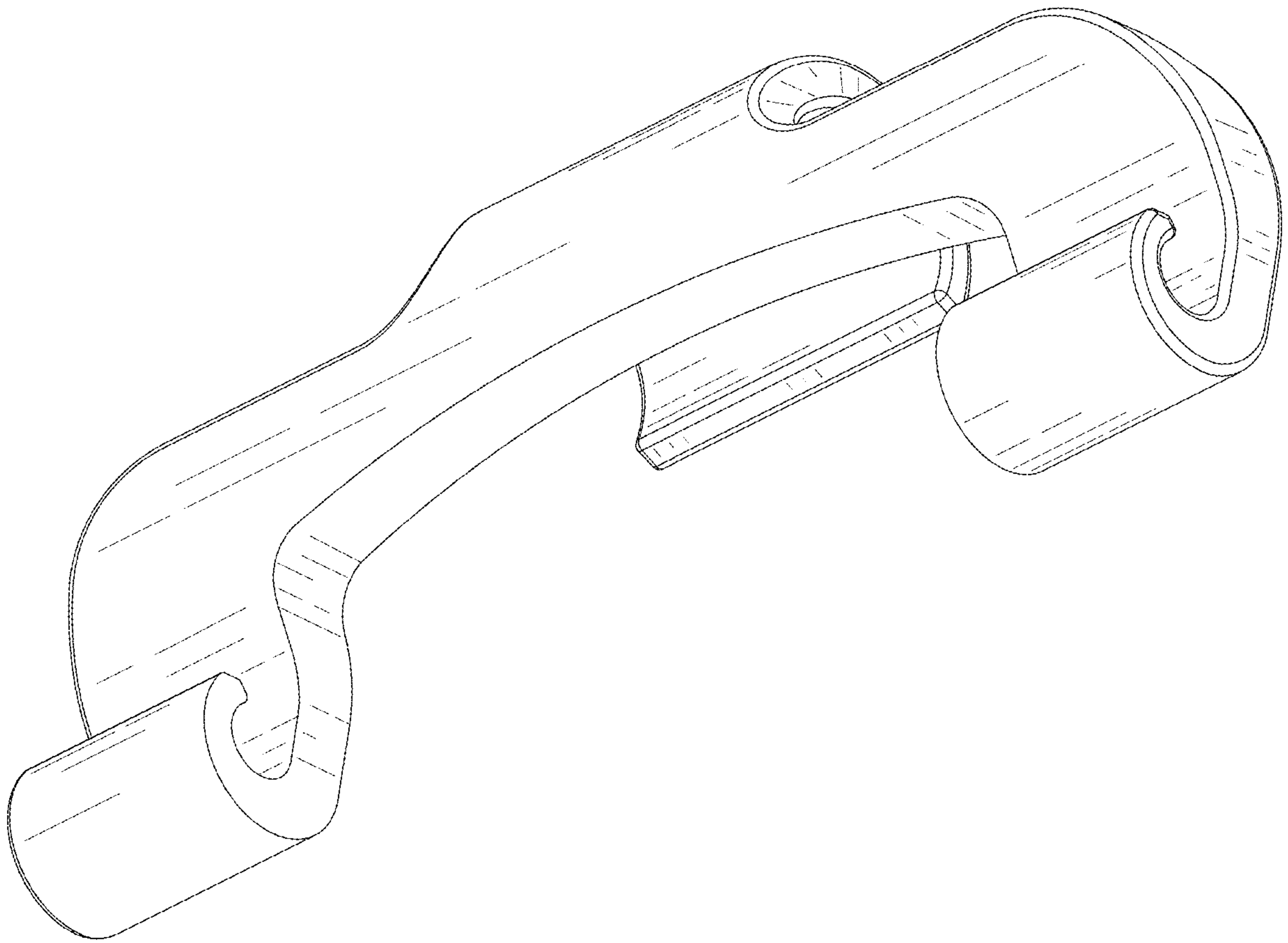


FIG. 2

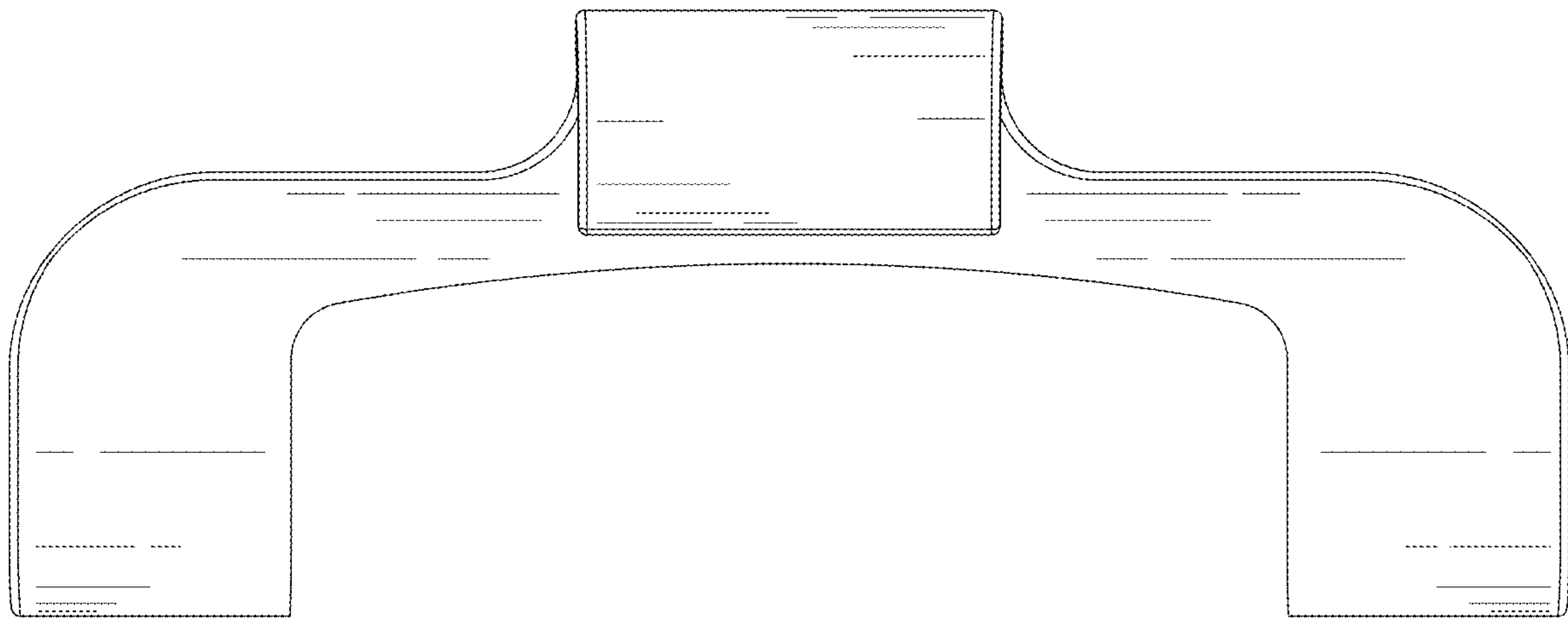


FIG. 3

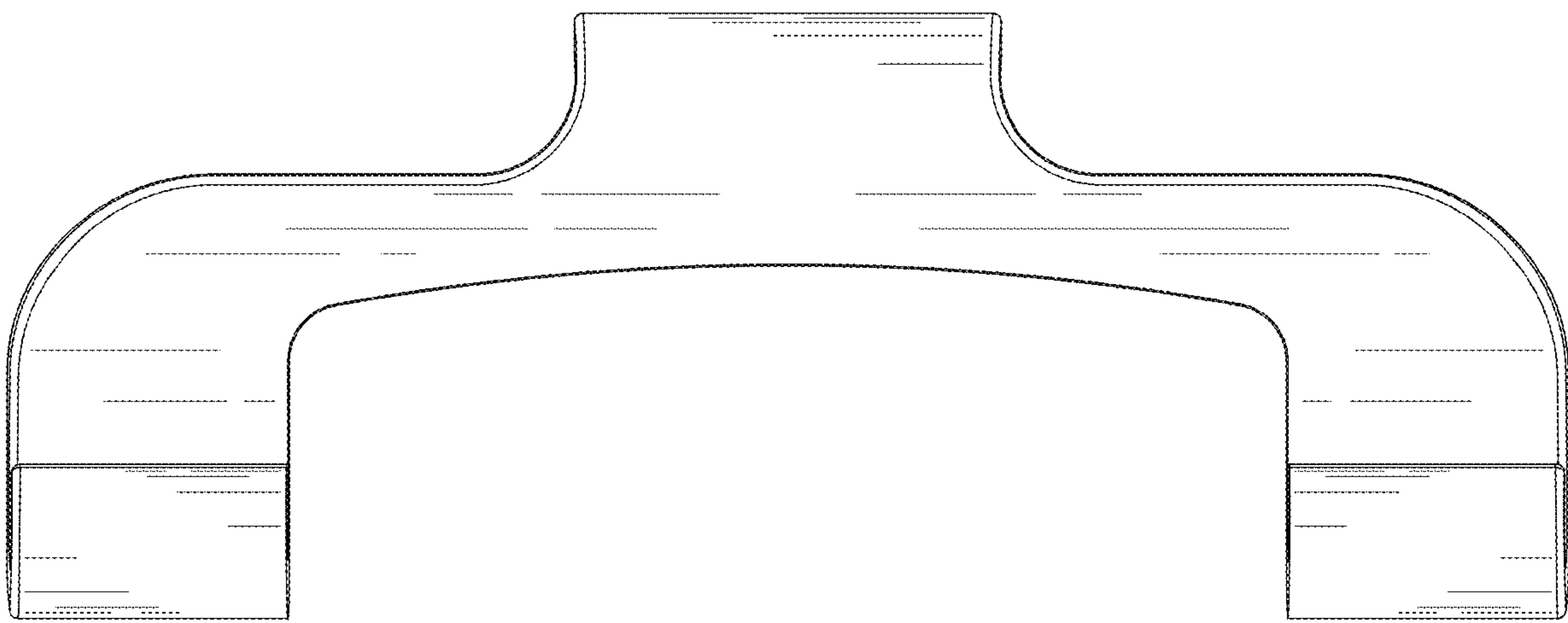


FIG. 4

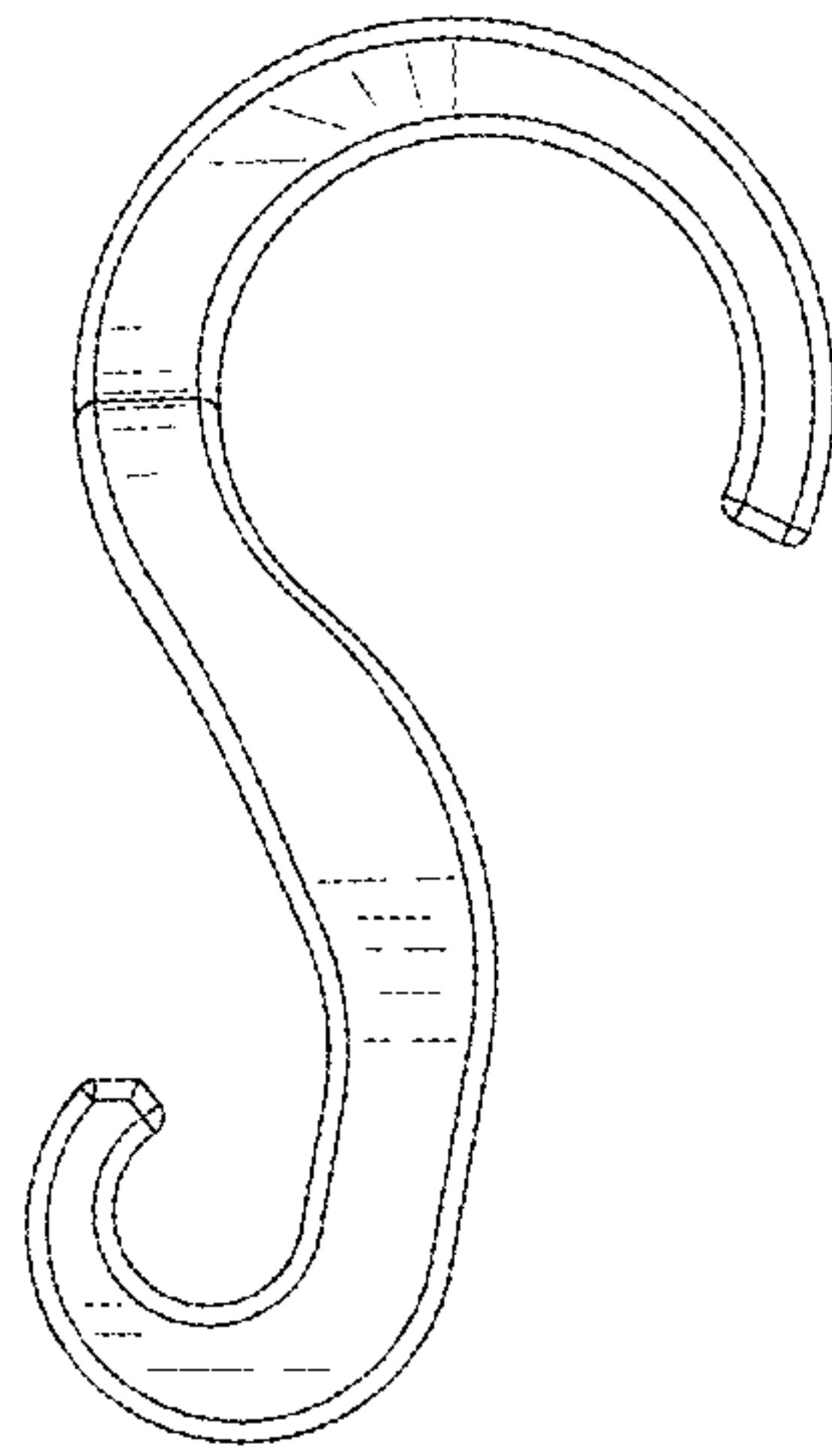


FIG. 5

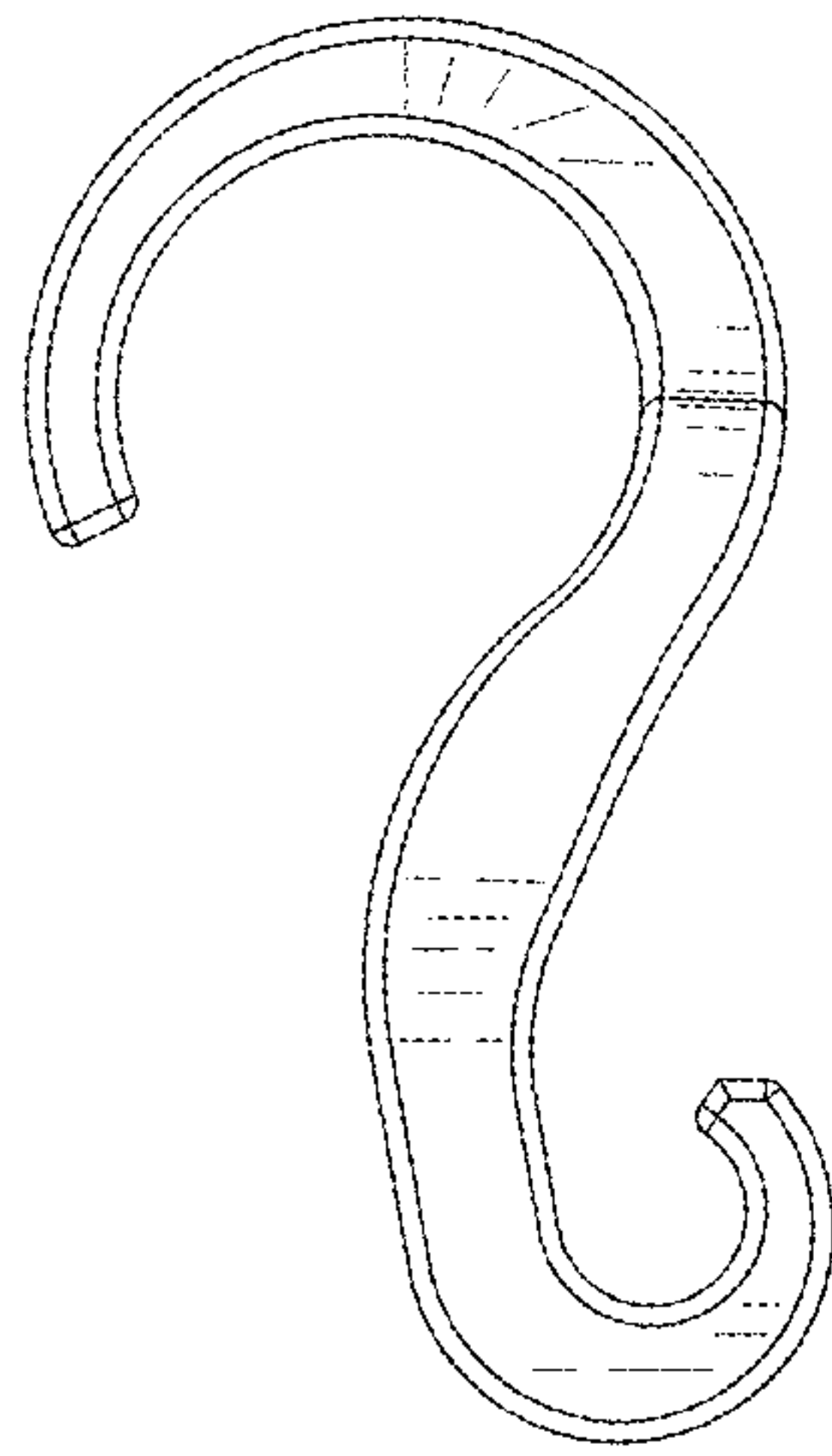


FIG. 6

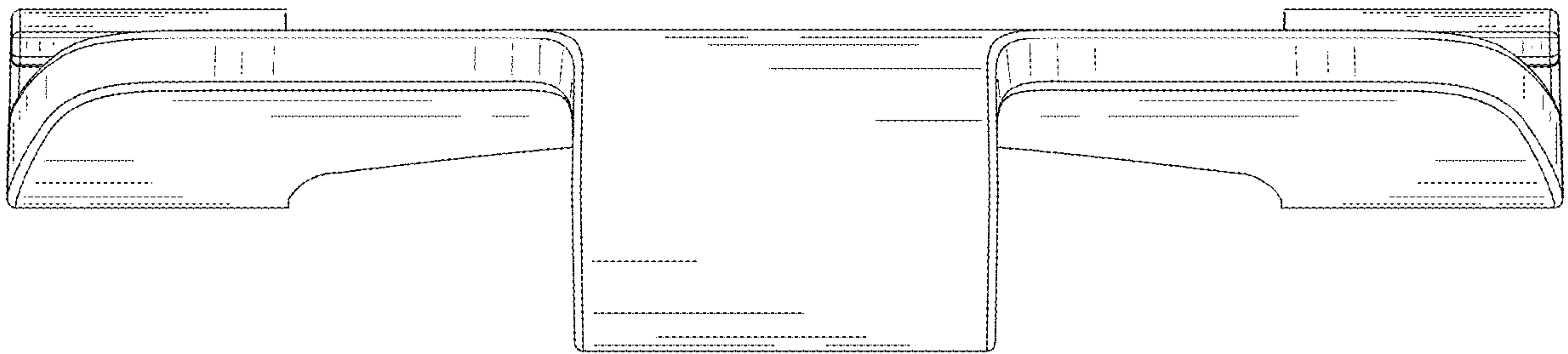


FIG. 7

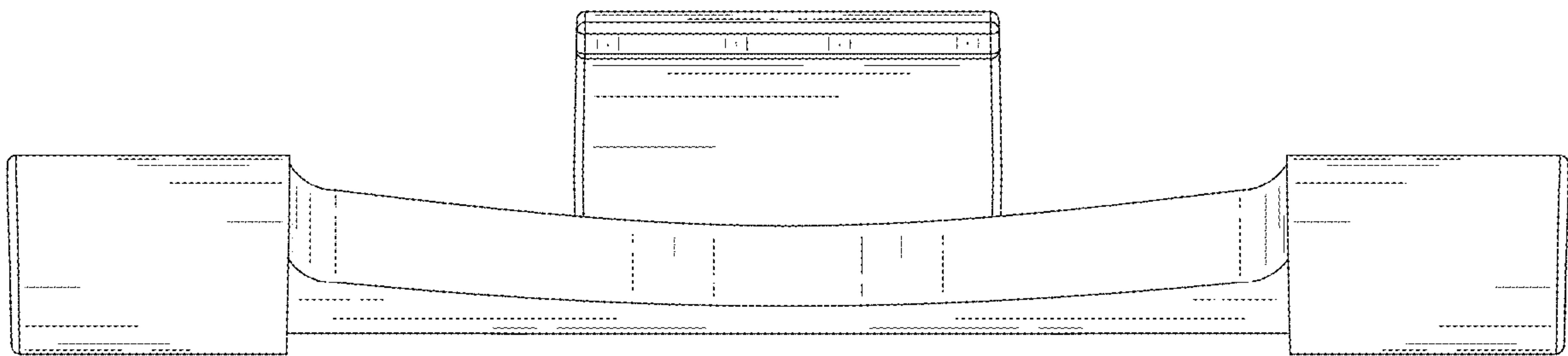


FIG. 8