



US00D983259S

(12) **United States Design Patent** (10) **Patent No.:** **US D983,259 S**
Tashima (45) **Date of Patent:** **** Apr. 11, 2023**

(54) **LABEL PRINTER**

(71) Applicant: **BROTHER INDUSTRIES, LTD.**,
Nagoya (JP)

(72) Inventor: **Kazuhisa Tashima**, Nagoya (JP)

(73) Assignee: **BROTHER INDUSTRIES, LTD.**,
Nagoya (JP)

(**) Term: **15 Years**

(21) Appl. No.: **29/774,354**

(22) Filed: **Mar. 16, 2021**

(30) **Foreign Application Priority Data**

Sep. 25, 2020 (JP) 2020-020361 D

(51) **LOC (14) Cl.** **18-99**

(52) **U.S. Cl.**
USPC **D18/50; D18/19**

(58) **Field of Classification Search**
USPC D18/12, 14-19, 36-41, 50, 45, 54, 55,
D18/53, 56; D19/65, 66, 67, 68, 69, 70,
D19/71; D14/301, 307, 121
CPC H04N 1/00204; H04N 1/00249; H04N
1/00278; G06K 15/12; G06K 15/14; B41J
3/00; B41J 3/28; B41J 3/445; B41J 3/46;
B41J 2/3358; B41J 3/36; B41J 3/382;
B41J 3/39; B41J 11/0045
See application file for complete search history.

(56) **References Cited**

U.S. PATENT DOCUMENTS

D730,978 S * 6/2015 Kinoshita D18/50
D750,703 S * 3/2016 Beck D18/14
D790,006 S * 6/2017 Yoshida D18/14
D813,297 S * 3/2018 Nishikawa D18/50
D833,521 S * 11/2018 Nanno D18/50

D838,311 S * 1/2019 Maeda D18/19
D857,092 S * 8/2019 Michie D18/50
D894,270 S * 8/2020 Tsiopanos D18/50
10,850,542 B2 * 12/2020 Kanda B41J 15/042
11,161,359 B2 * 11/2021 Sanada B41J 25/34
2017/0028756 A1 * 2/2017 Koshigoe B65D 15/22
2018/0297380 A1 * 10/2018 Ikemoto B65H 16/06
2020/0171845 A1 * 6/2020 Nagashima B41J 11/04

FOREIGN PATENT DOCUMENTS

CN 304849118 * 10/2018
CN 111845110 A * 10/2020 B41J 3/36
JP 2017213693 A * 12/2017 B41J 11/0045

OTHER PUBLICATIONS

YouTube. Link: <https://www.youtube.com/watch?v=XU91vCDWork>.
Jul. 8, 2022. Brother's RJ-3230B and RJ-3250WB Rugged Mobile
Printers. (Year: 2022).*

(Continued)

Primary Examiner — Lauren D McVey
(74) *Attorney, Agent, or Firm* — Oliff PLC

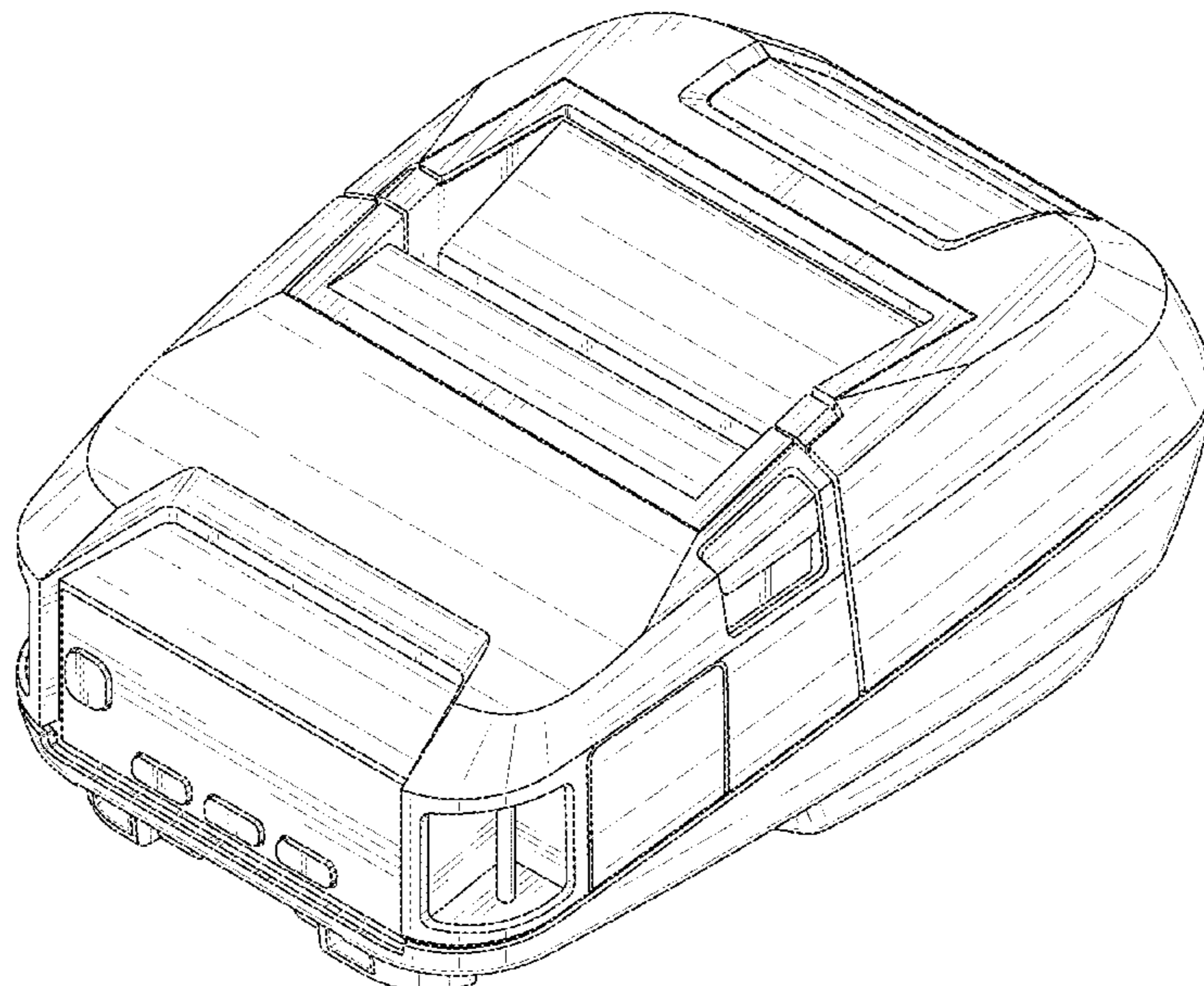
(57) **CLAIM**

The ornamental design for a label printer, as shown and
described.

DESCRIPTION

FIG. 1 is a perspective view of the label printer;
FIG. 2 is a front elevational view thereof;
FIG. 3 is a rear elevational view thereof;
FIG. 4 is a left-side elevational view thereof;
FIG. 5 is a right-side elevational view thereof;
FIG. 6 is a top plan view thereof; and,
FIG. 7 is a bottom plan view thereof.
The evenly spaced broken lines depict parts of the label
printer and form no part of the claimed design.

1 Claim, 7 Drawing Sheets



(56)

References Cited

OTHER PUBLICATIONS

Amazon. Link: <https://www.amazon.com/dp/B09T2HTY2Q/>. Feb. 22, 2022. Label Maker, CLABEL 220B Portable Barcode Printer. (Year: 2022).*

Amazon. Link: <https://www.amazon.com/dp/B08PFH56BD/>. Jan. 23, 2021. NetumScan Label Maker Portable Bluetooth Thermal Label Printer. (Year: 2021).*

Amazon. Link: <https://www.amazon.com/POLONO-PL420-High-Speed-Commercial-Compatible/dp/B0B52V5HQ1/>. Jun. 25, 2022. Polono PL420 4x6 Thermal Printer. (Year: 2022).*

* cited by examiner

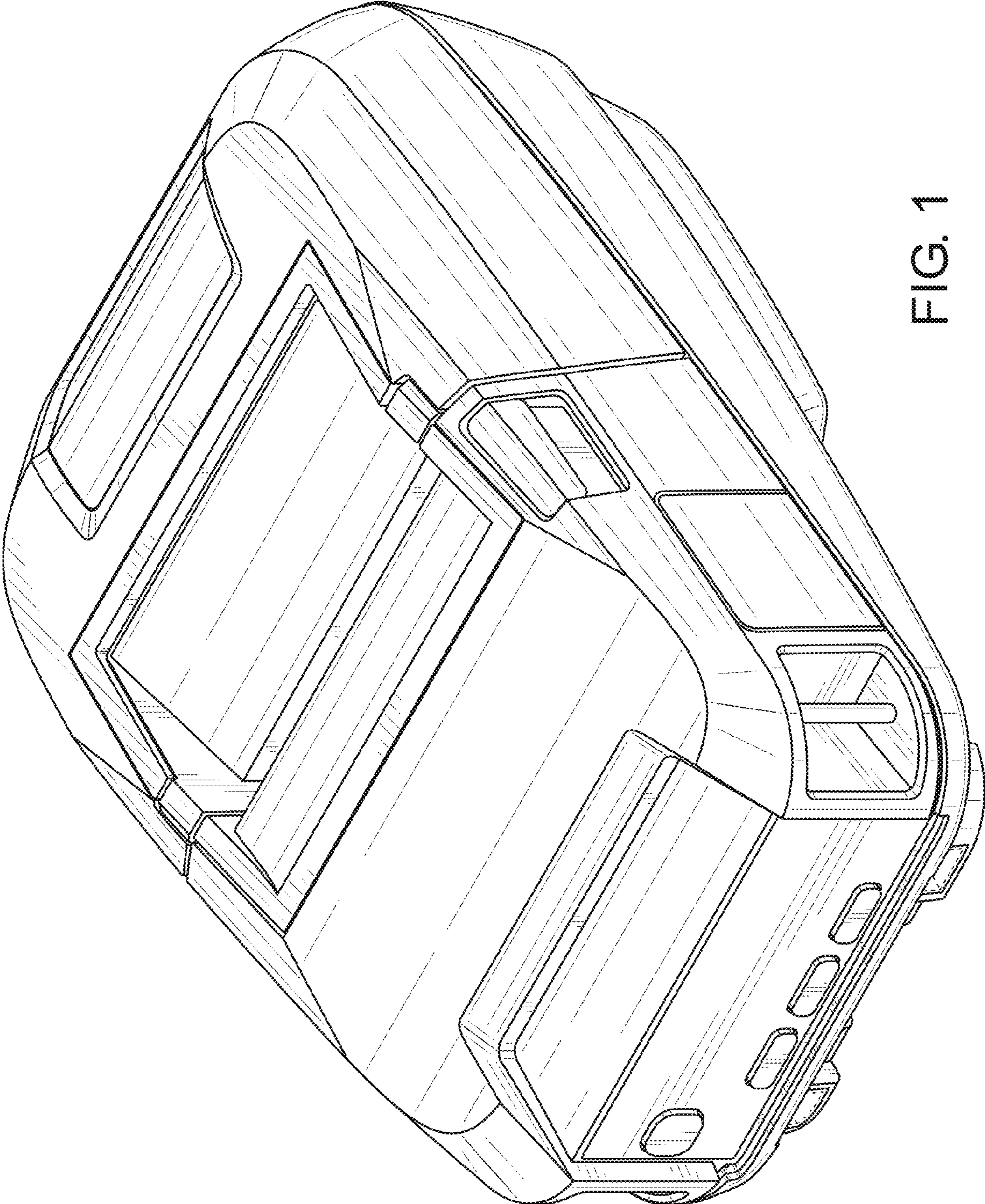


FIG. 1

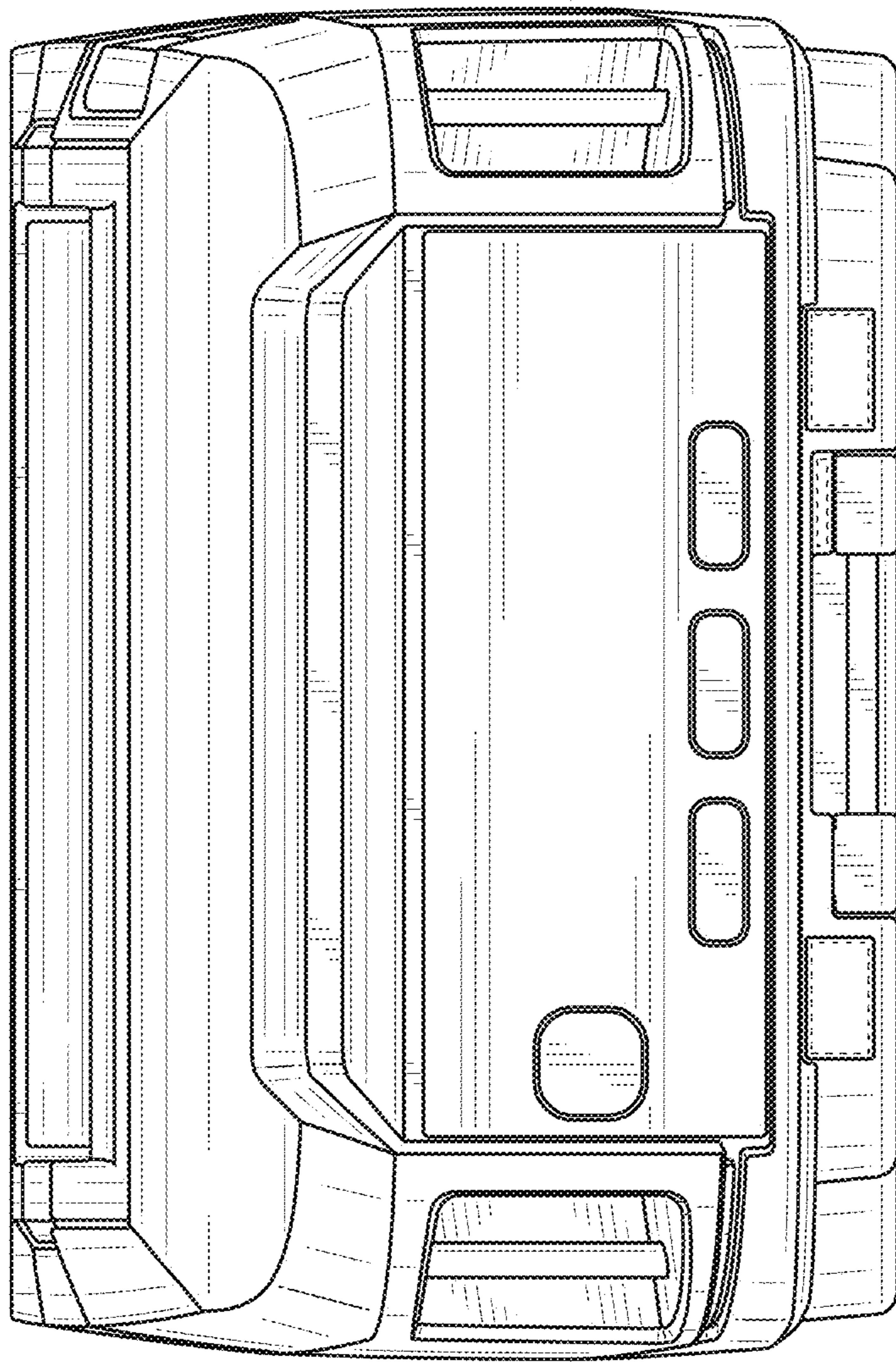


FIG. 2

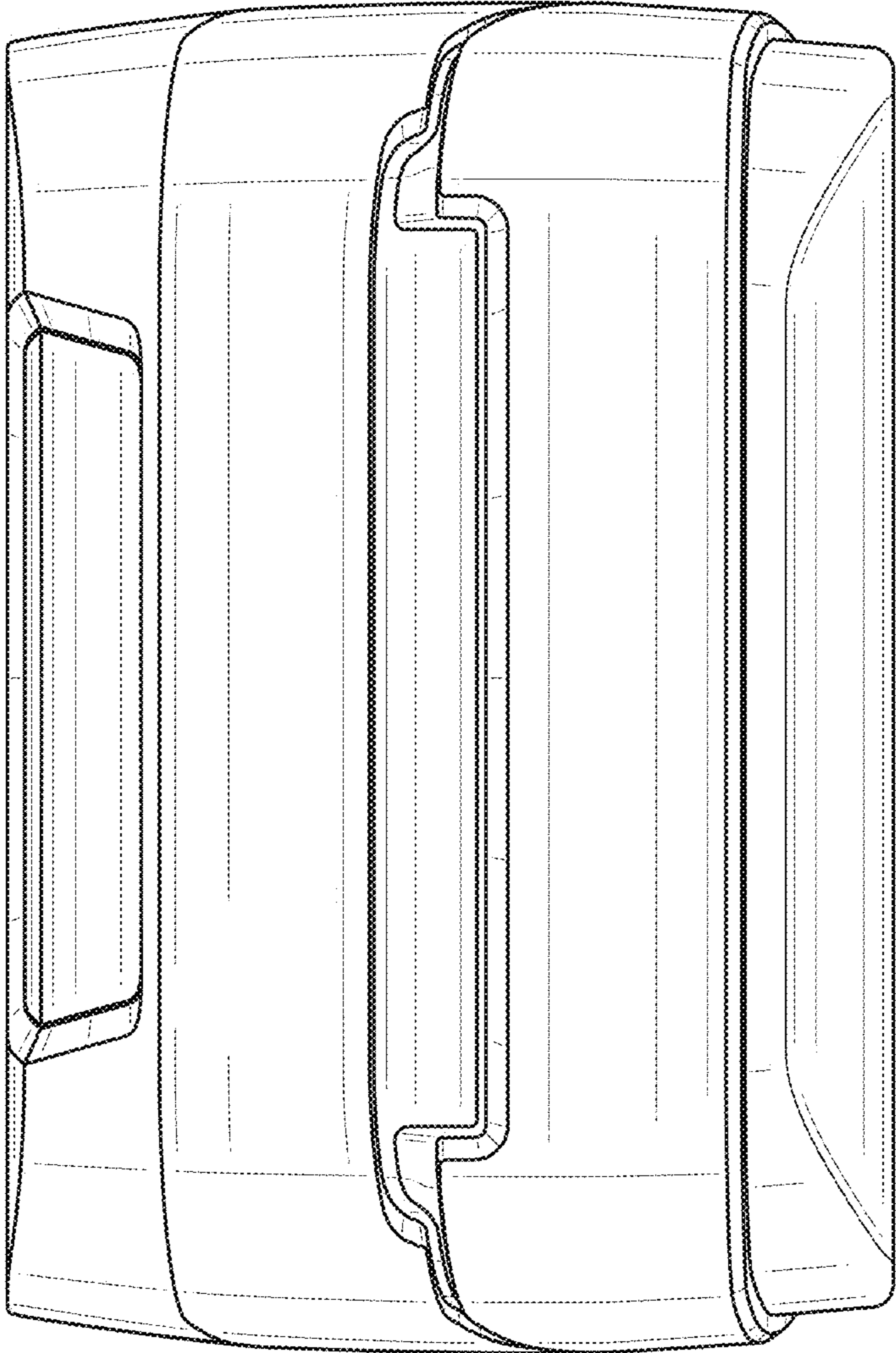


FIG. 3

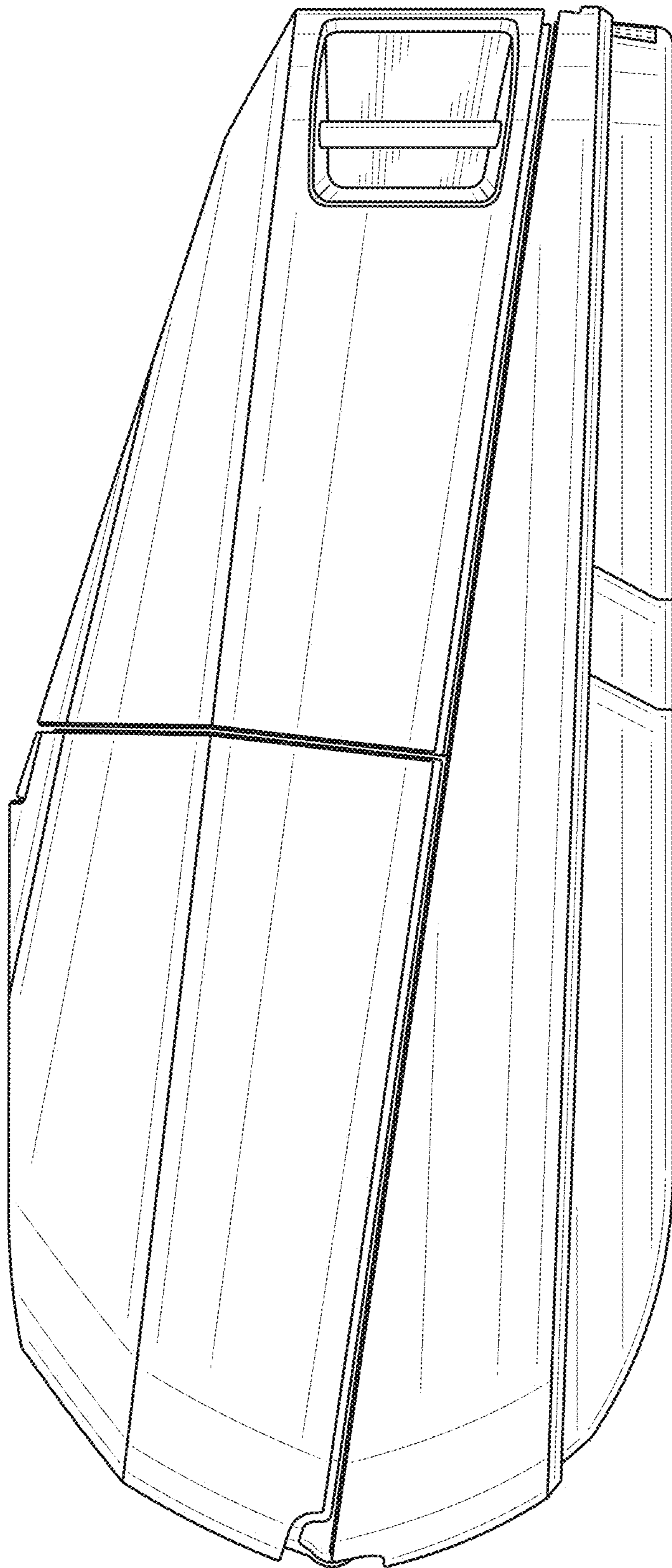


FIG. 4

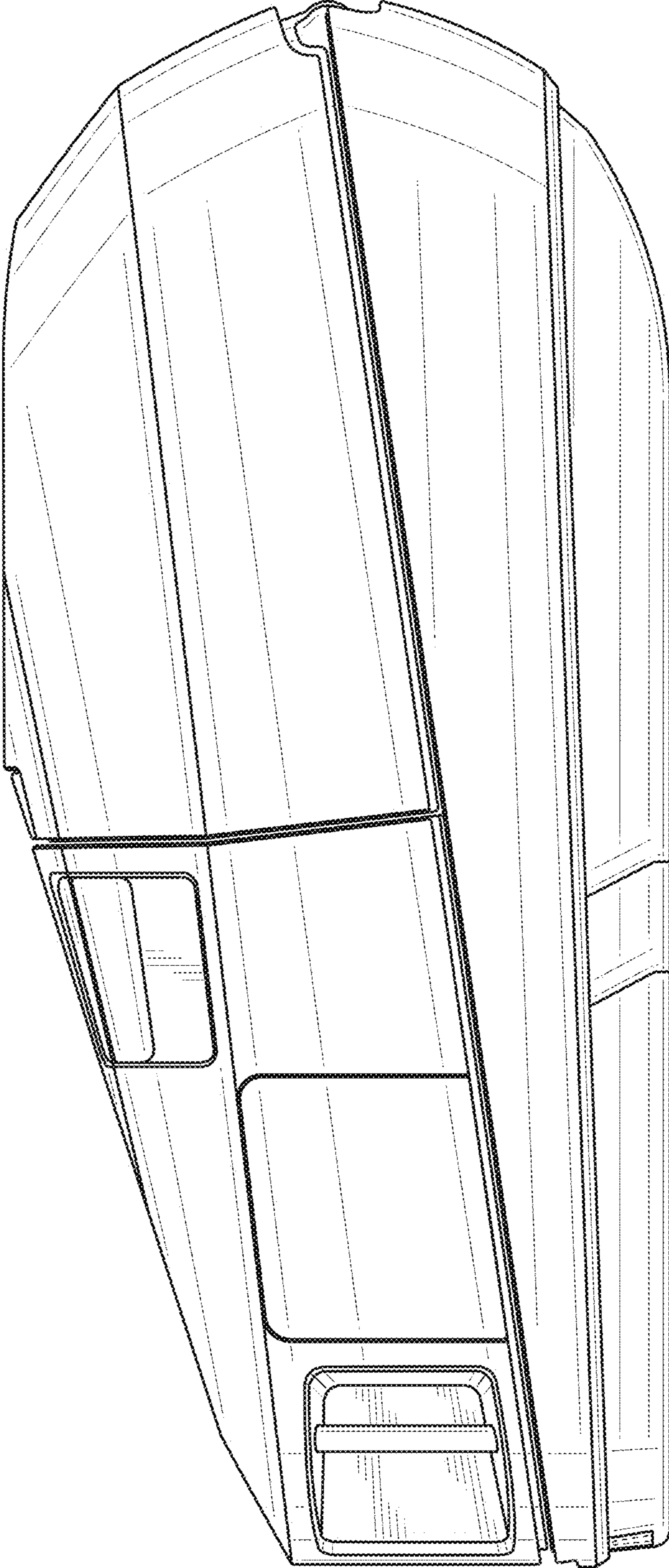


FIG. 5

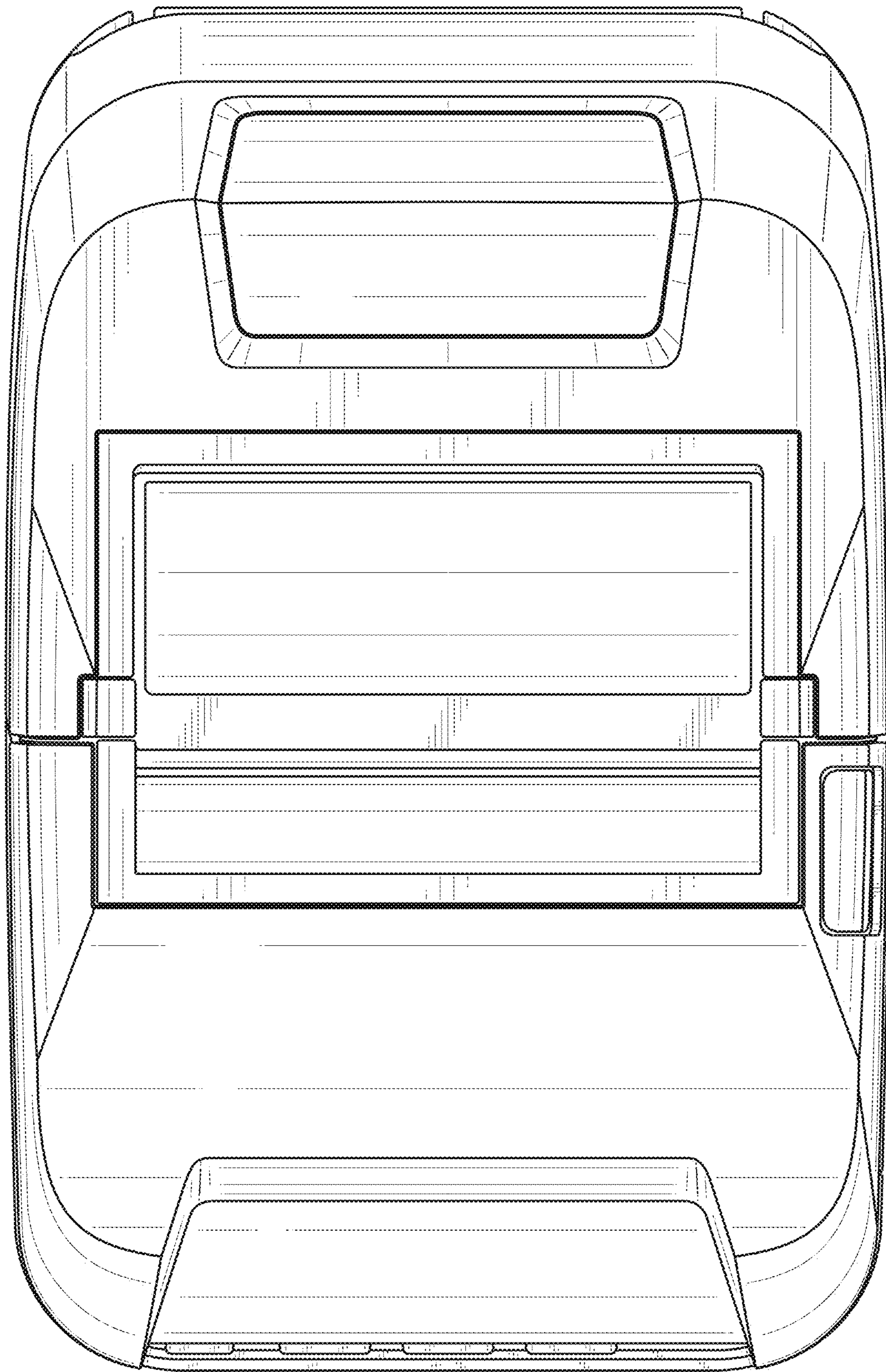


FIG. 6

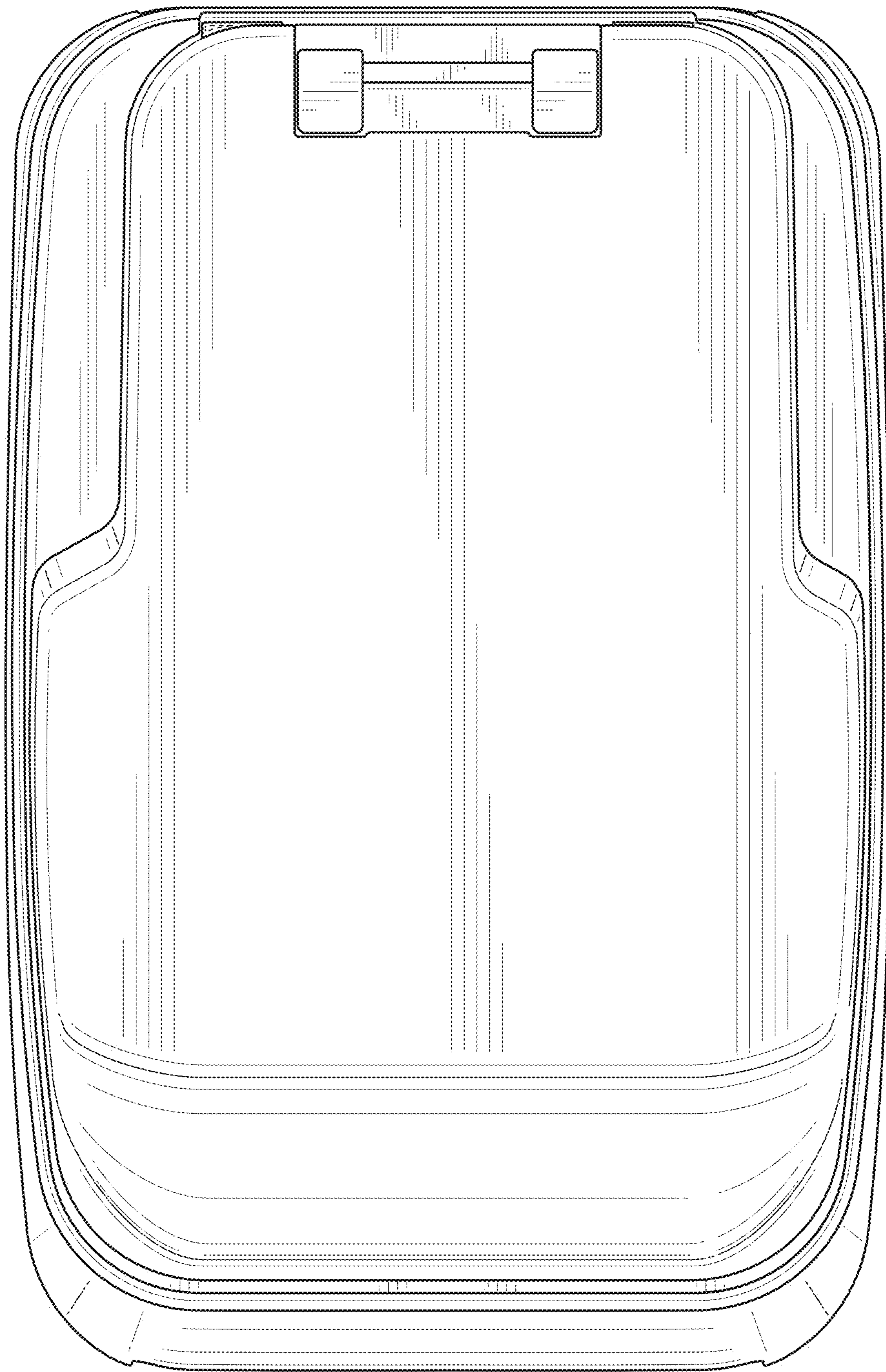


FIG. 7