



US00D983255S

(12) **United States Design Patent** (10) **Patent No.:** **US D983,255 S**
Yi (45) **Date of Patent:** **** Apr. 11, 2023**

(54) **SLEEP MASK**

(71) Applicant: **SHENZHEN XIERKE TRADING CO., LTD.**, Shenzhen (CN)

(72) Inventor: **Qin Yi**, Changsha (CN)

(73) Assignee: **Shenzhen Xierke Trading Co., Ltd.**, Shenzhen (CN)

(**) Term: **15 Years**

(21) Appl. No.: **29/825,176**

(22) Filed: **Jan. 28, 2022**

(51) **LOC (14) Cl.** **16-06**

(52) **U.S. Cl.**
USPC **D16/301**

(58) **Field of Classification Search**
USPC D16/300, 301; D24/206; D14/192, 205
CPC A61F 9/04; A61F 9/02; A61H 2205/024;
A63B 33/002; A63B 33/004; A63B
33/006; A63B 33/00; A63B 69/18
See application file for complete search history.

(56) **References Cited**

U.S. PATENT DOCUMENTS

D775,260 S	12/2016	Gordon et al.	
D862,568 S	10/2019	Holtz et al.	
10,426,666 B1 *	10/2019	Seidenfeld A61F 7/02
D887,484 S *	6/2020	Guo A61F 9/04
			D16/301
D906,405 S *	12/2020	Seidenfeld D16/301
2006/0139568 A1 *	6/2006	Kitayama G02C 7/165
			351/46

OTHER PUBLICATIONS

Alaska Bear Sleep Mask for Side Sleepers, posted at amazon.com, posting date Jan. 19, 2022, [online], [site visited Dec. 7, 2022].

Available from Internet, URL: <https://www.amazon.com/ALASKA-BEAR-Contoured-Blindfold-Meditation/dp/B09QPNQ34G?th=1> (Year: 2022).*

Mokiy Curved Sleep Mask, posted at amazon.com, posting date Nov. 2, 2021, [online], [site visited Dec. 7, 2022]. Available from Internet, URL: <https://www.amazon.com/%E3%80%902022-Latest-Design%E3%80%91Curved-Blocking-Sleeping/dp/B09KT664D2> (Year: 2021).*

Oxtiontile Sleep Mask, posted at amazon.com, posting date Jun. 26, 2021, [online], [site visited Dec. 7, 2022]. Available from Internet, URL: <https://www.amazon.com/OXTIONTILE-Contoured-Sleeping-Blocking-Integrated/dp/B097YNPK23?th=1> (Year: 2021).*

* cited by examiner

Primary Examiner — Maria J. Edwards

(74) *Attorney, Agent, or Firm* — Nitin Kaushik

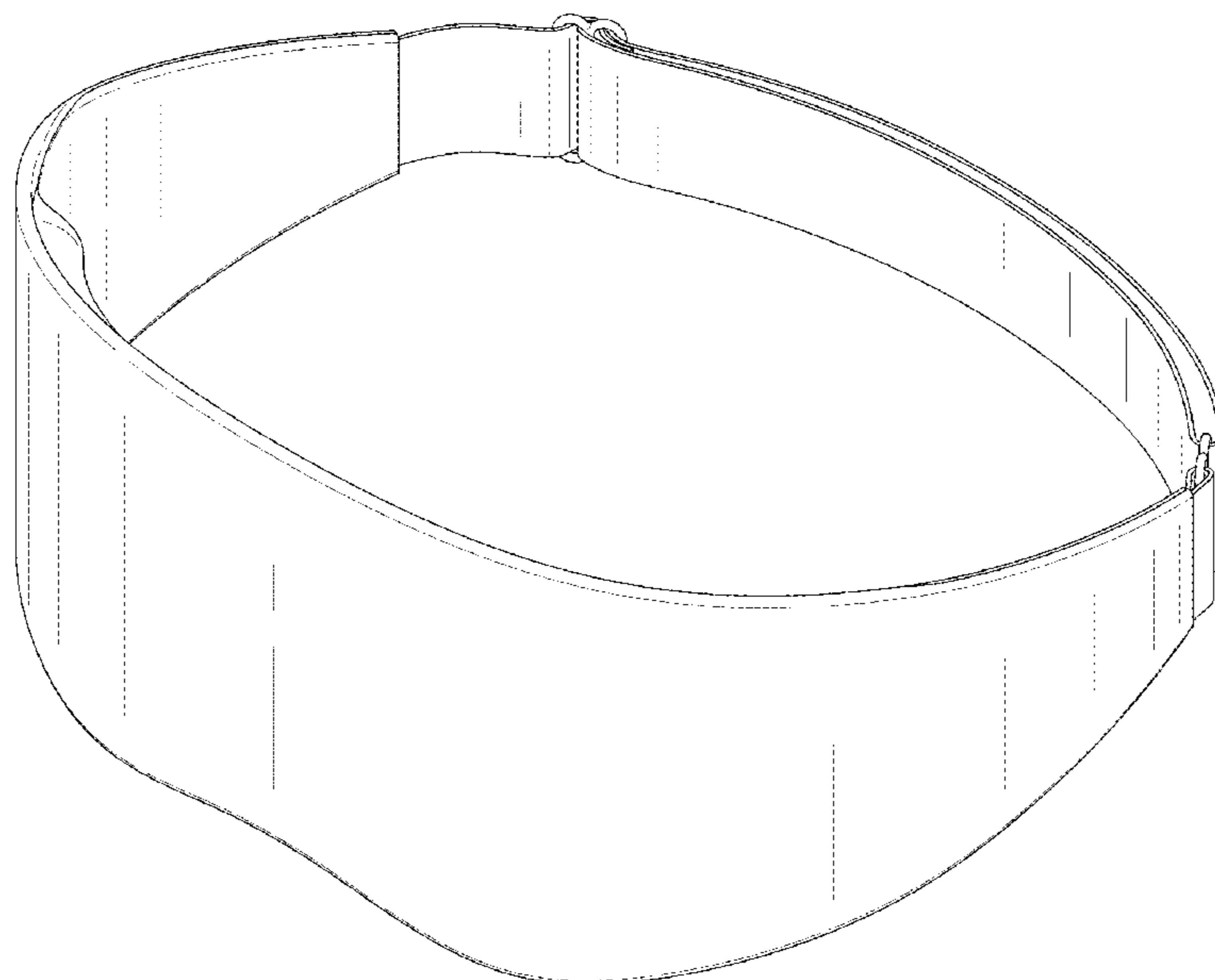
(57) **CLAIM**

The ornamental design for a sleep mask, as shown and described.

DESCRIPTION

FIG. 1 is a perspective view of a sleep mask showing my new design;
FIG. 2 is another perspective view thereof;
FIG. 3 is a front elevational view thereof;
FIG. 4 is a rear elevational view thereof;
FIG. 5 is a left side elevational view thereof;
FIG. 6 is a right side elevational view thereof;
FIG. 7 is a top plan view thereof;
FIG. 8 is a bottom plan view thereof; and,
FIG. 9 is an enlarged view of portion 9 shown in FIG. 2. The dot-dash broken lines represent the boundary of the enlarged portion and form no part of the claimed design.

1 Claim, 9 Drawing Sheets



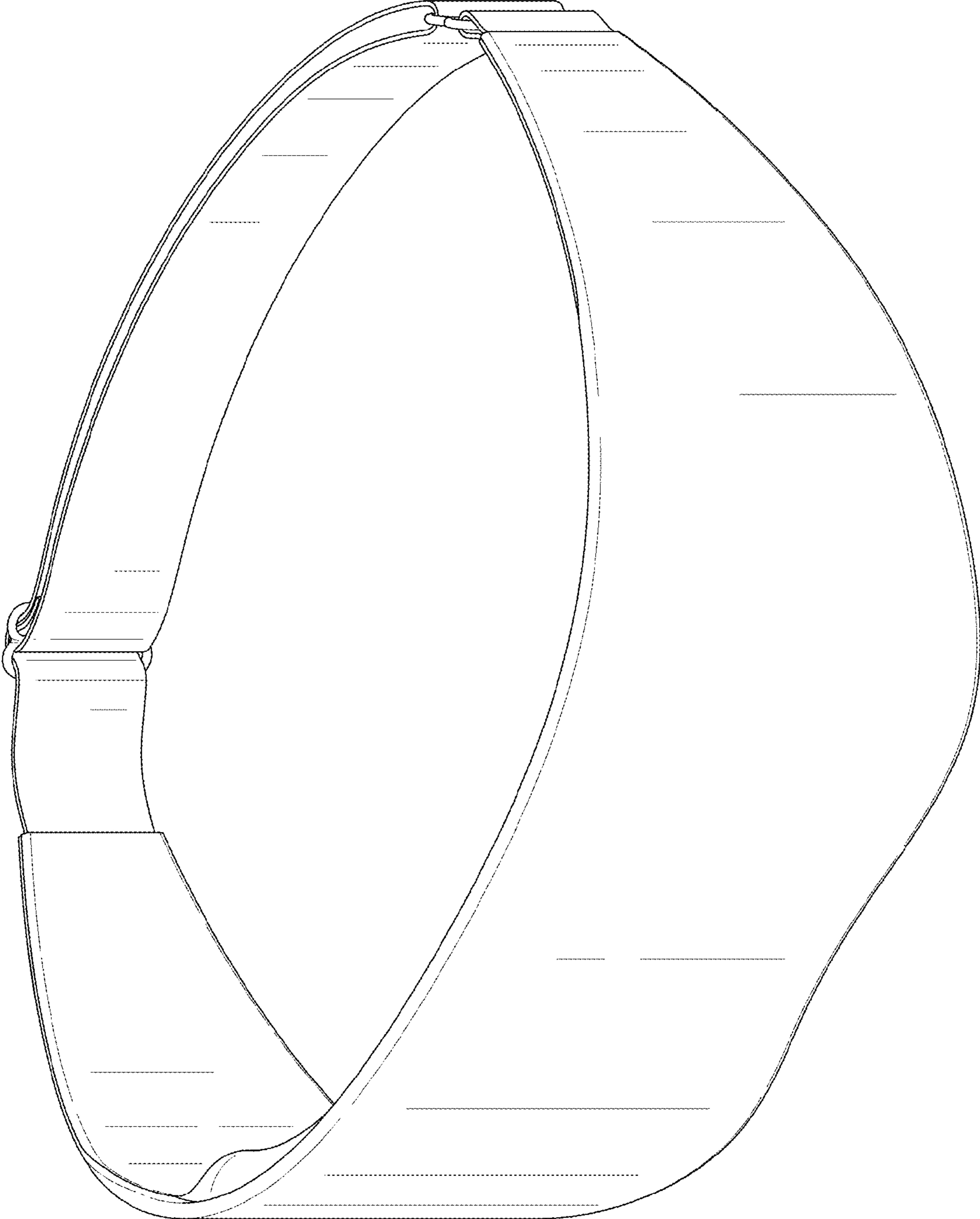


FIG. 1

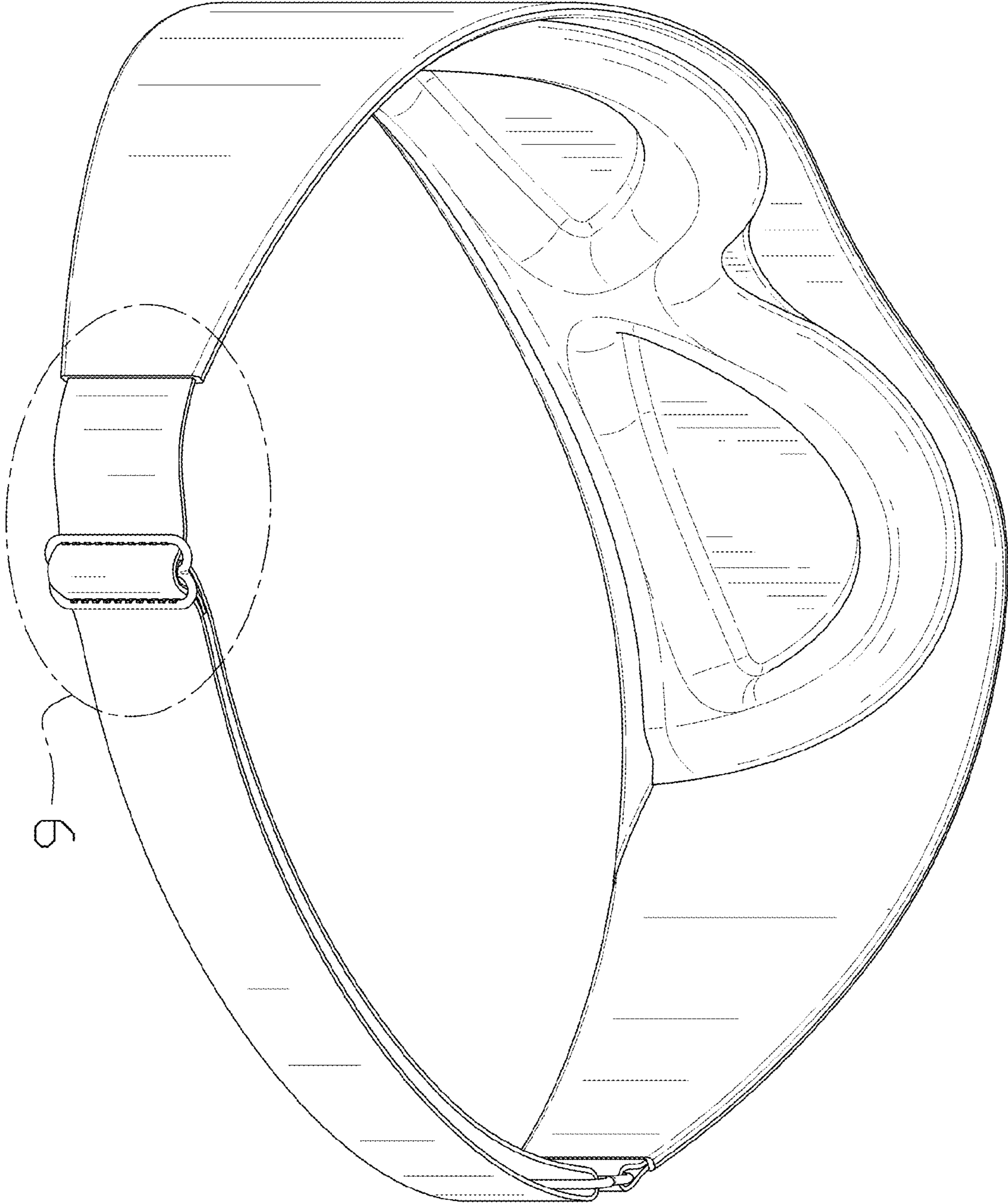


FIG. 2

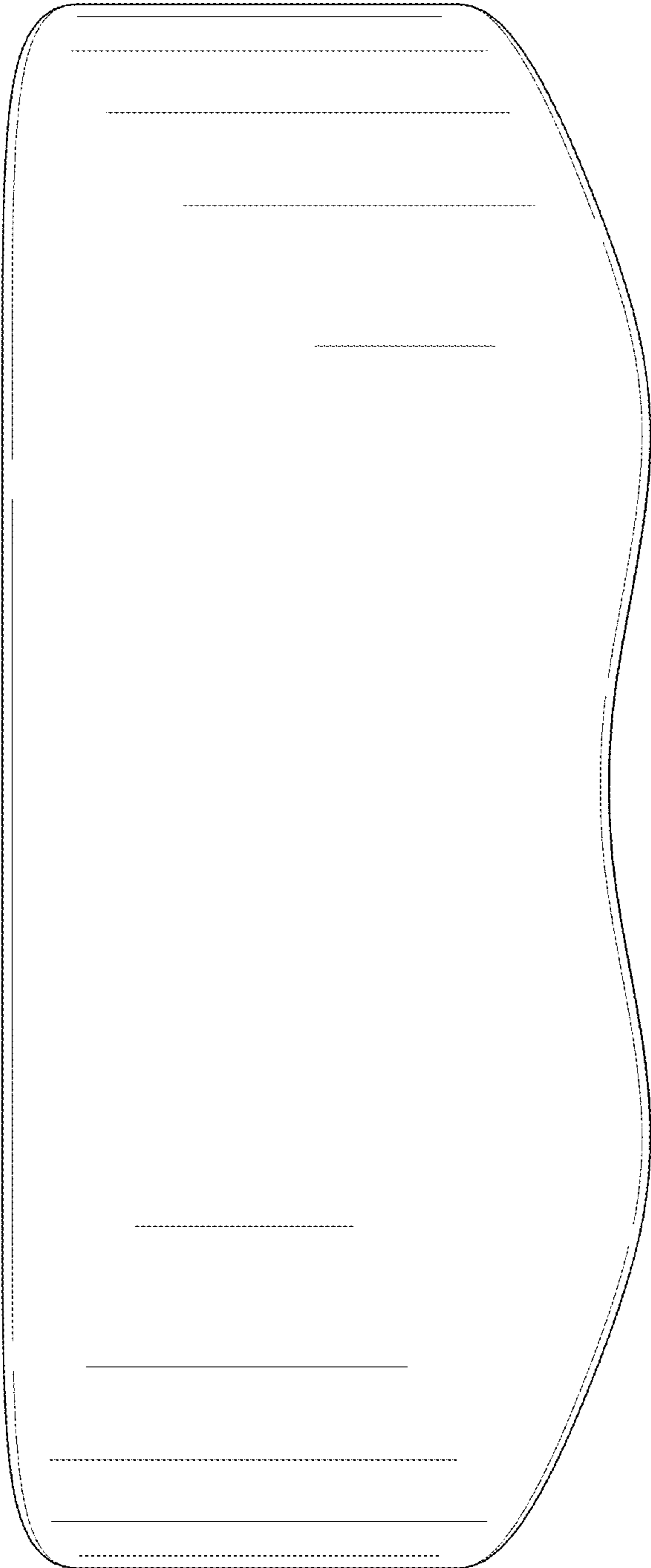


FIG. 3

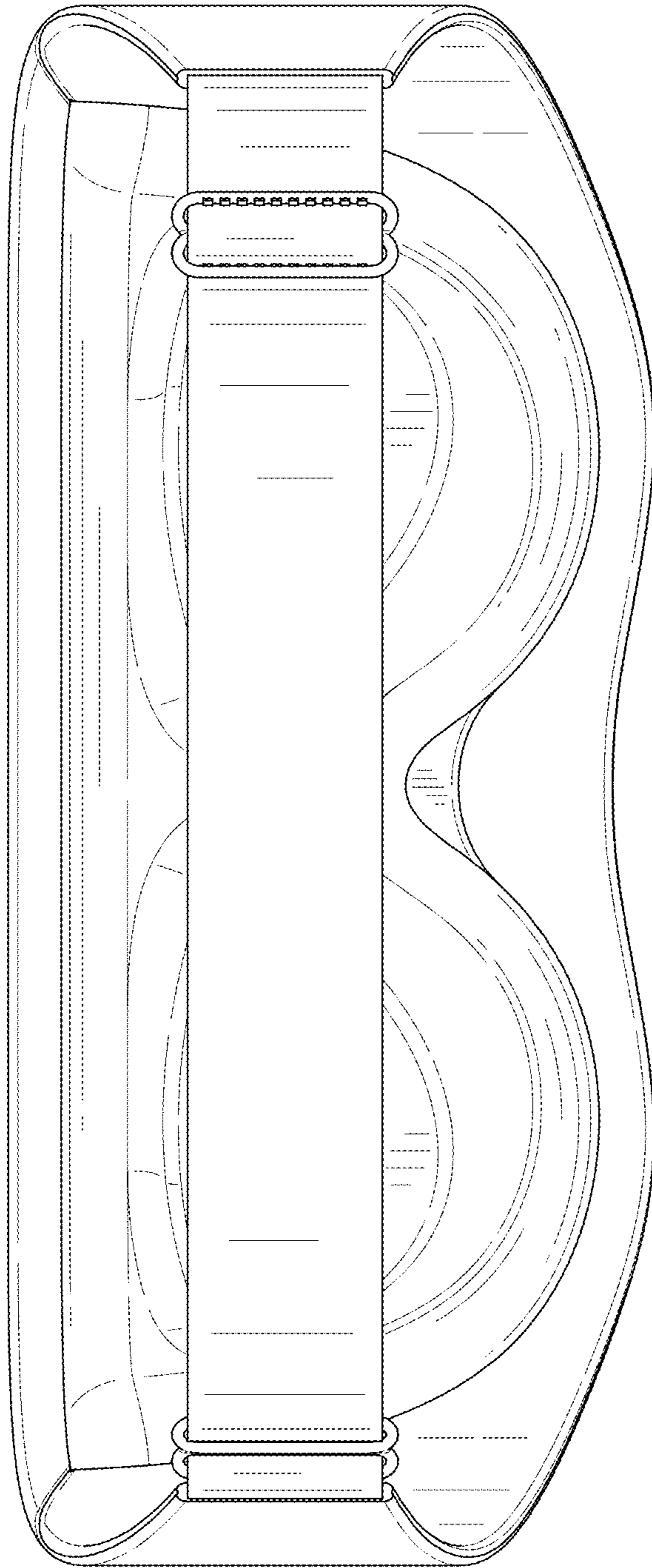


FIG. 4

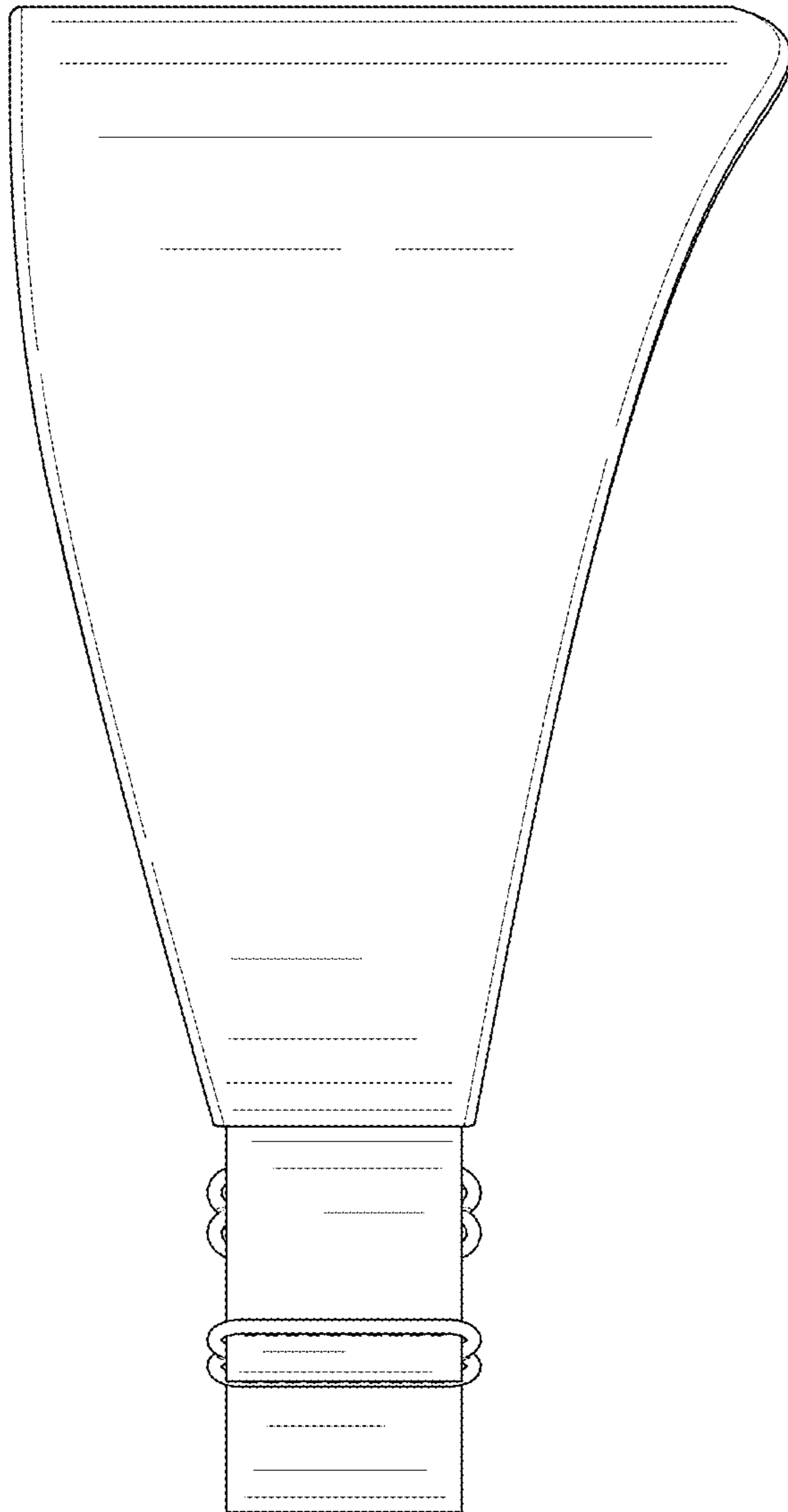


FIG. 5

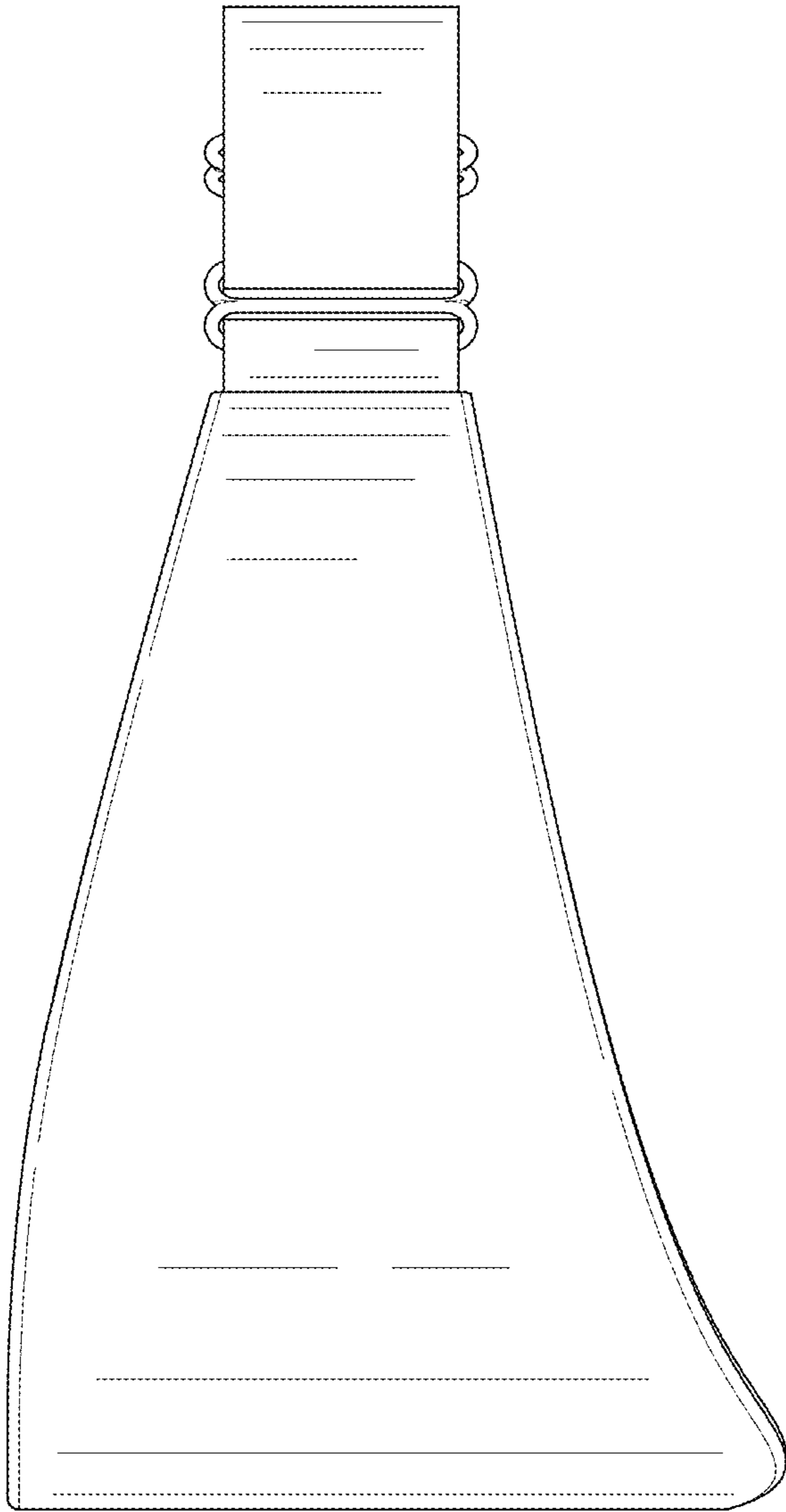


FIG. 6



FIG. 7



FIG. 8

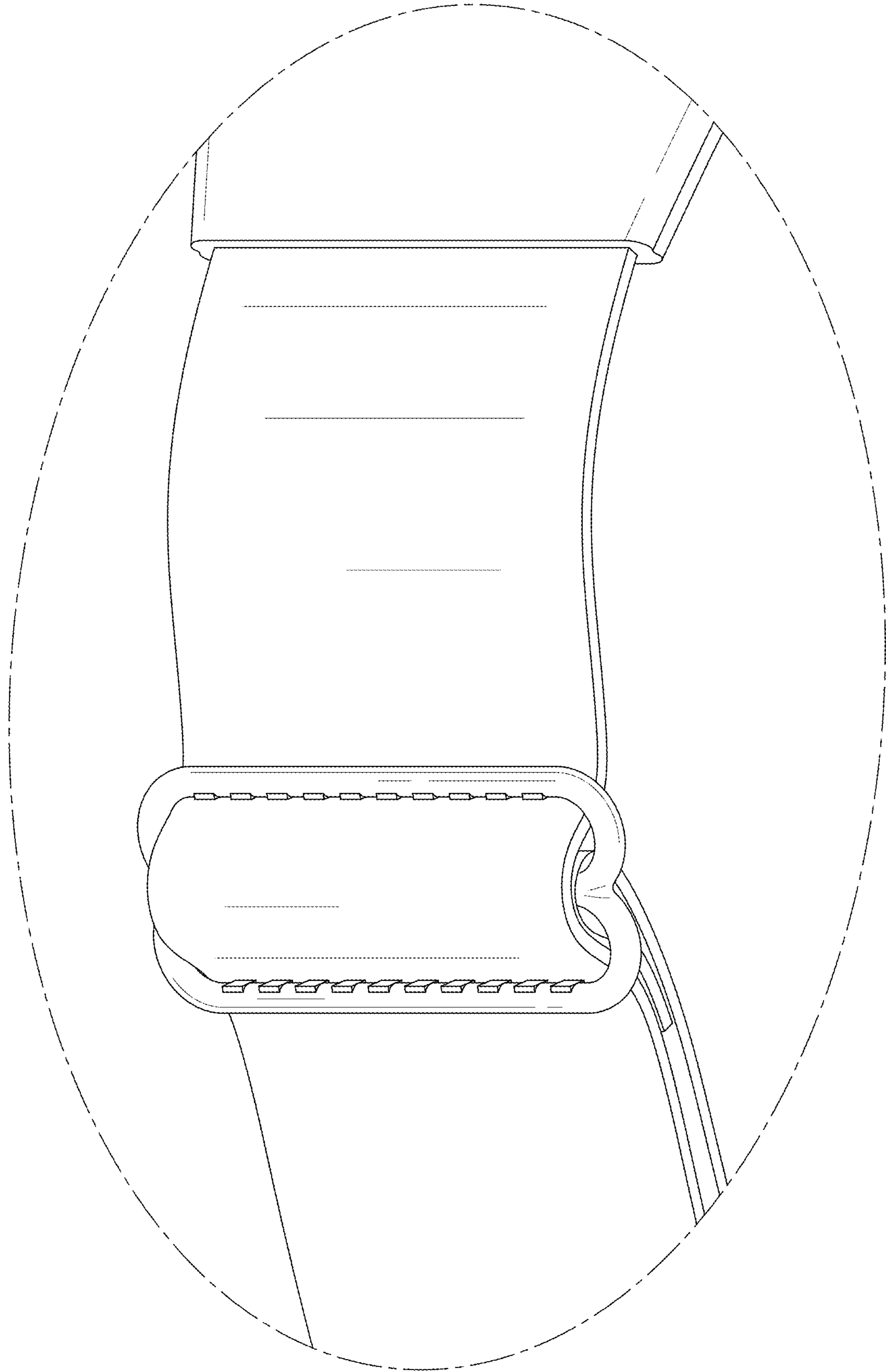


FIG. 9