



US00D983254S

(12) **United States Design Patent** (10) **Patent No.:** **US D983,254 S**
Wang et al. (45) **Date of Patent:** **** Apr. 11, 2023**

(54) **FILMING DEVICE**

(71) Applicant: **Shenzhen Xingyingda Industry Co., Ltd.**, Shenzhen (CN)
(72) Inventors: **Jun Wang**, Shenzhen (CN); **Yan Ke**, Shenzhen (CN)
(73) Assignee: **Shenzhen Xingyingda Industry Co., Ltd.**, Shenzhen (CN)
(**) Term: **15 Years**

(21) Appl. No.: **29/849,221**
(22) Filed: **Aug. 9, 2022**
(51) **LOC (14) Cl.** **16-05**
(52) **U.S. Cl.**
USPC **D16/242**
(58) **Field of Classification Search**
USPC D16/200, 204, 208, 213–219, 235,
D16/237–250; D14/209, 217, 224,
D14/250–253, 345, 440, 449;
D8/300–303, 305, 363, 373, 394
CPC G03B 17/02; G03B 17/04; G03B 17/14;
G03B 21/20; G03B 21/20666; G03B
15/041–0436; F16M 11/32
See application file for complete search history.

(56) **References Cited**

U.S. PATENT DOCUMENTS

D372,038 S 7/1996 Chen
6,425,697 B1 * 7/2002 Potts G03B 29/00
396/419
D600,945 S 9/2009 Kelsen
D714,377 S * 9/2014 Yamauchi D16/242
D723,090 S 2/2015 Firchau et al.
D728,001 S * 4/2015 Zhan D16/243
D730,973 S 6/2015 Orton et al.

(Continued)

FOREIGN PATENT DOCUMENTS

CN 201430206727 * 10/2014
EM 003865880-0004 * 5/2017

OTHER PUBLICATIONS

Neewer Camera Shoulder Rig, Video Film Making System Kit for DSLR Camera and Camcorder with Soft Rubber Shoulder Pad and Dual Hand Grips, Compatible with Canon/Nikon/Sony/Pentax/Fujifilm/Panasonic. Online, published date Nov. 21, 2013. Retrieved on Nov. 27, 2022 from URL: https://www.amazon.com/Neewer-FilmMaker-Camcorde.*

Primary Examiner — Omeed Agilee

(74) *Attorney, Agent, or Firm* — Westbridge IP LLC

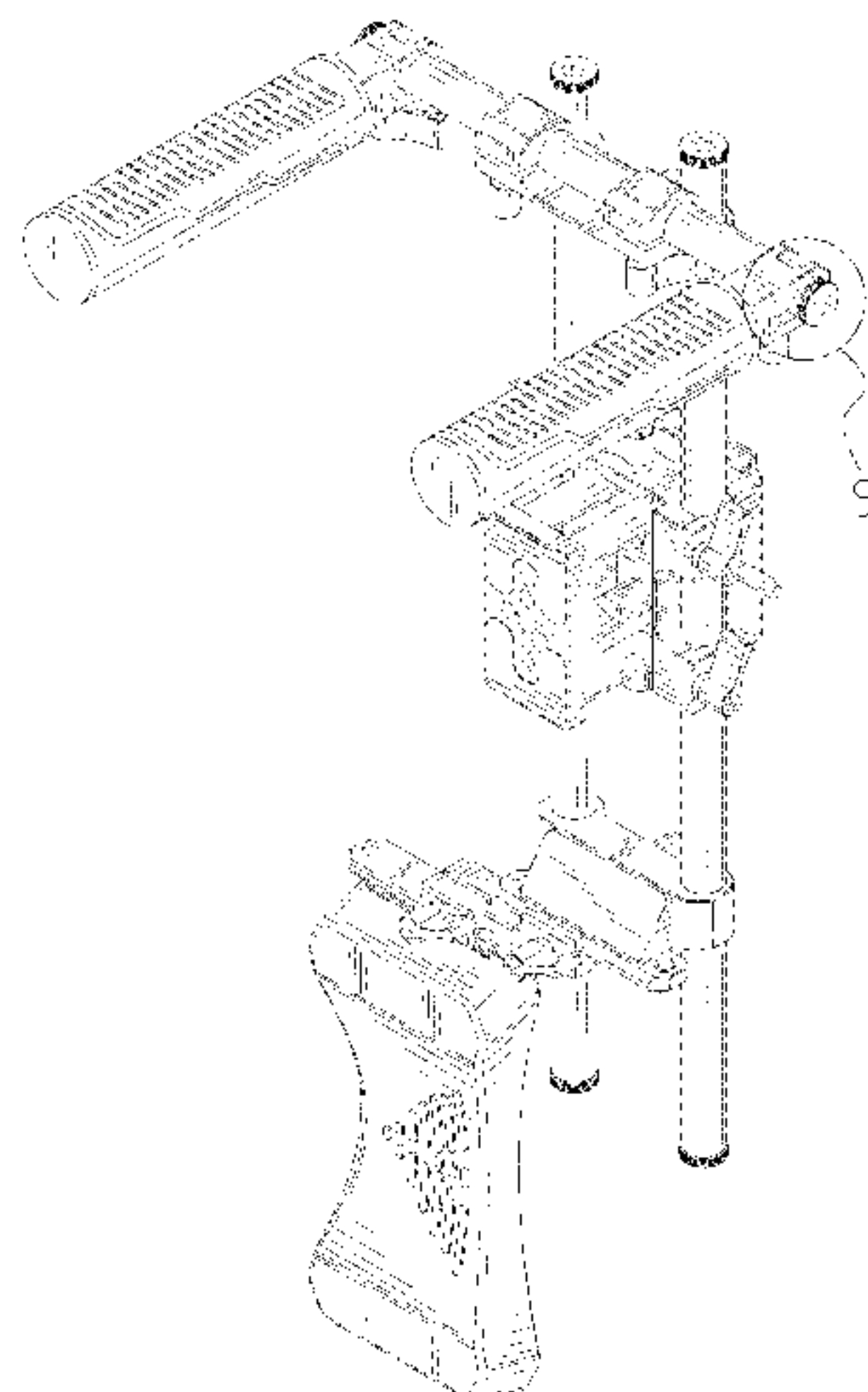
(57) **CLAIM**

The ornamental design for a filming device, as shown and described.

DESCRIPTION

FIG. 1 is a front perspective view of a filming device showing our new design;
FIG. 2 is a rear perspective view thereof;
FIG. 3 is a front elevation view thereof;
FIG. 4 is a rear elevation view thereof;
FIG. 5 is a left side elevation view thereof;
FIG. 6 is a right side elevation view thereof;
FIG. 7 is a top plan view thereof;
FIG. 8 is a bottom plan view thereof;
FIG. 9 is a partial enlarged view taken from circle 9 in FIG. 1;
FIG. 10 is a partial enlarged view taken from circle 10 in FIG. 2; and,
FIG. 11 is a partial enlarged view taken from circle 11 in FIG. 2.
The dash-dash broken lines in the drawings depict the portions of the filming device which form no part of the claimed design.
The short dash-long dash lines in the drawings depict boundaries of the enlarged views that form no part of the claimed design.

1 Claim, 11 Drawing Sheets



(56)

References Cited

U.S. PATENT DOCUMENTS

D732,103	S	*	6/2015	Roper	D16/243
D744,580	S	*	12/2015	Firchau	D16/242
D748,640	S		2/2016	Hart		
D751,625	S	*	3/2016	Vesper	D16/242
D754,242	S	*	4/2016	Wang	D16/242
D775,116	S		12/2016	Abrahams		
9,574,703	B2	*	2/2017	Firchau	F16M 11/24
D795,328	S	*	8/2017	Martin	D16/242
D798,943	S	*	10/2017	Hu	D16/243
D799,581	S	*	10/2017	Lin	D16/242
D805,118	S		12/2017	Caldeira et al.		
10,178,295	B2	*	1/2019	Zeng	H04N 5/23209
10,663,109	B2	*	5/2020	Guo	F16M 11/2085
10,715,704	B2	*	7/2020	Pan	H04N 5/2253
D921,094	S	*	6/2021	Liao	D16/242
2015/0288858	A1	*	10/2015	Fee	F16M 11/041 348/376

* cited by examiner

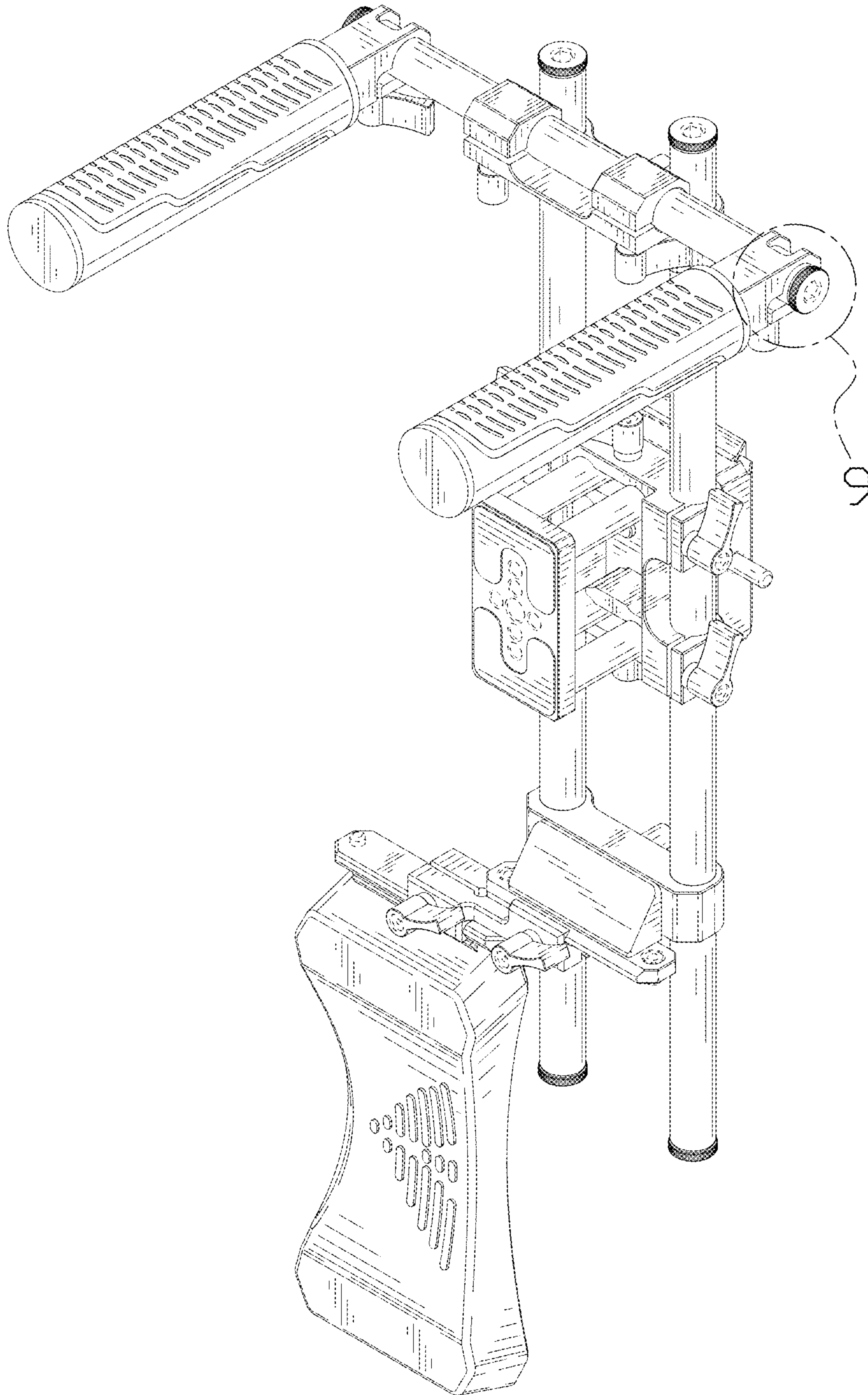


FIG. 1

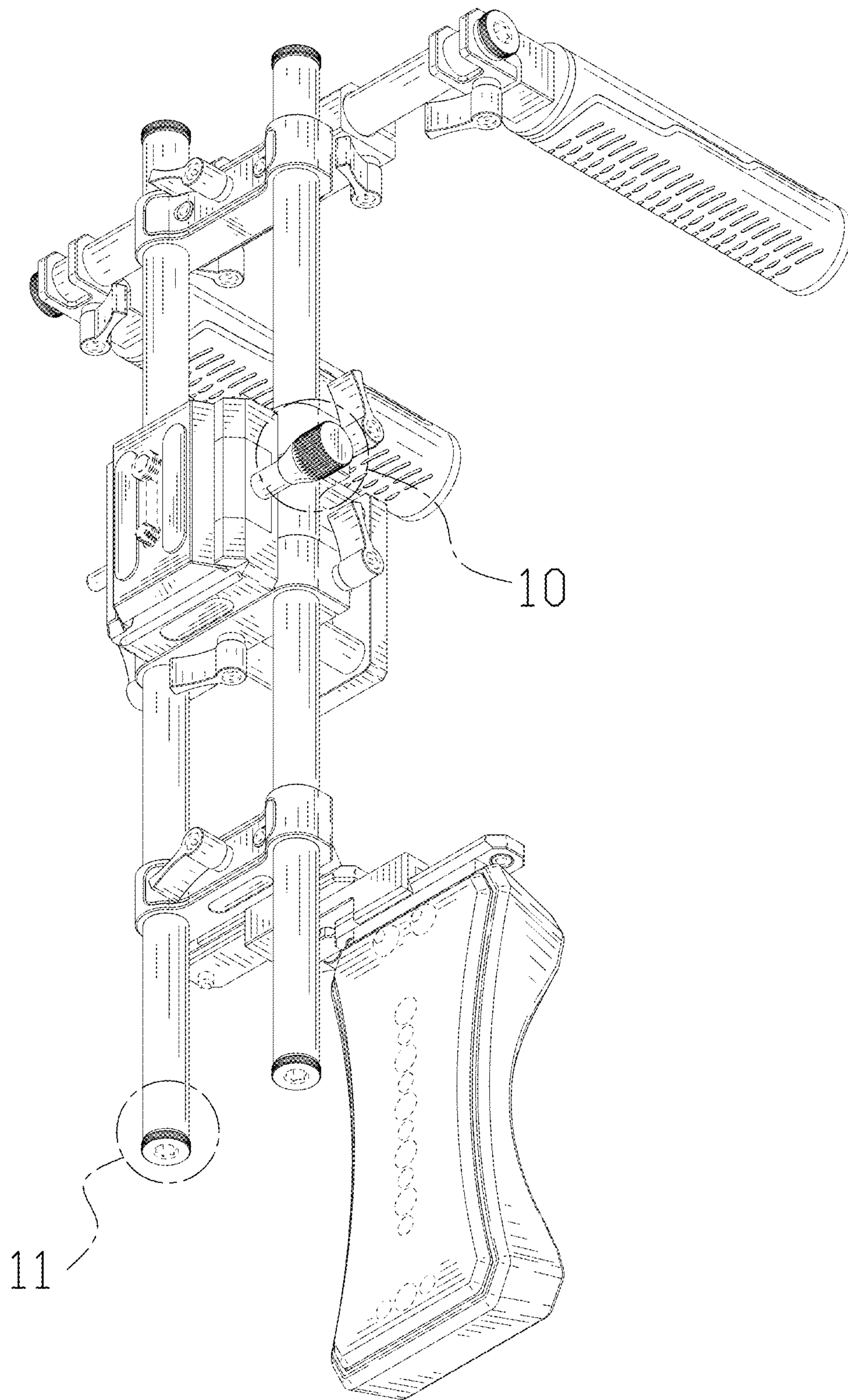


FIG. 2

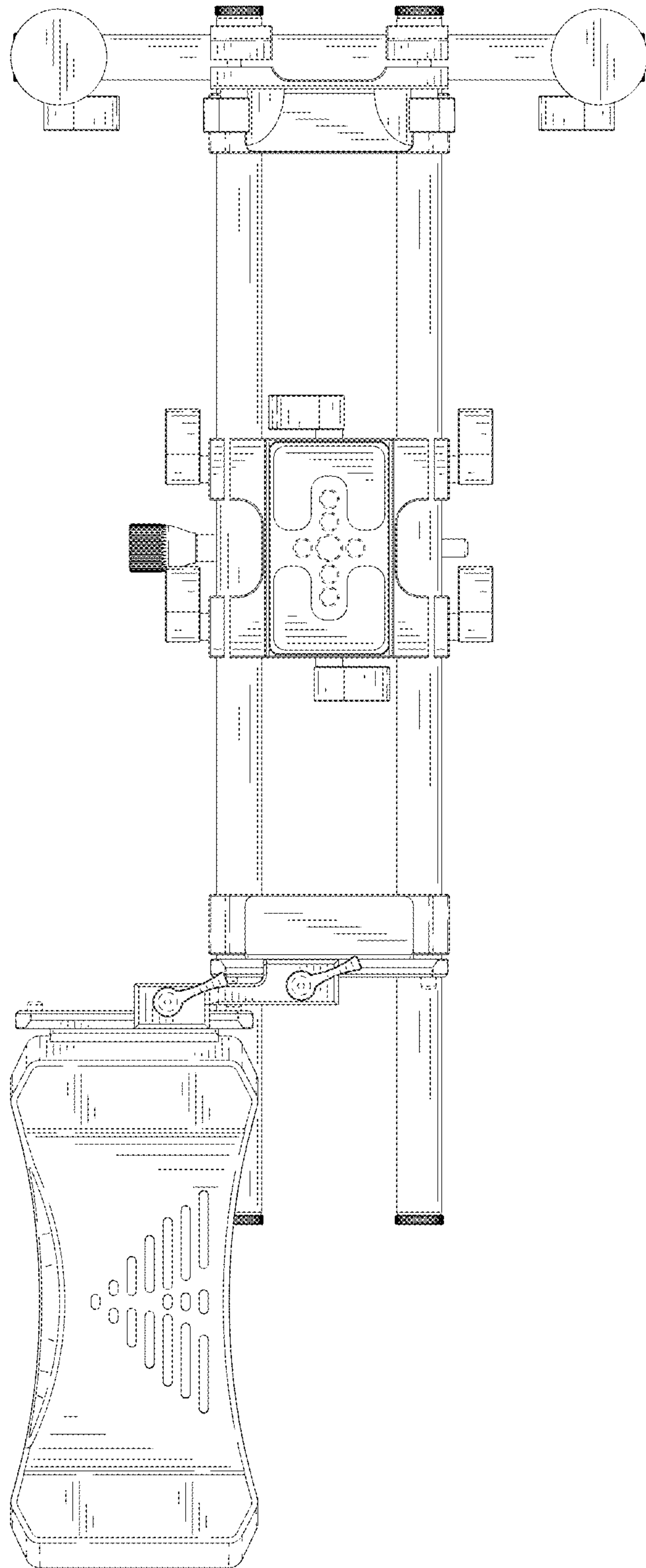


FIG. 3

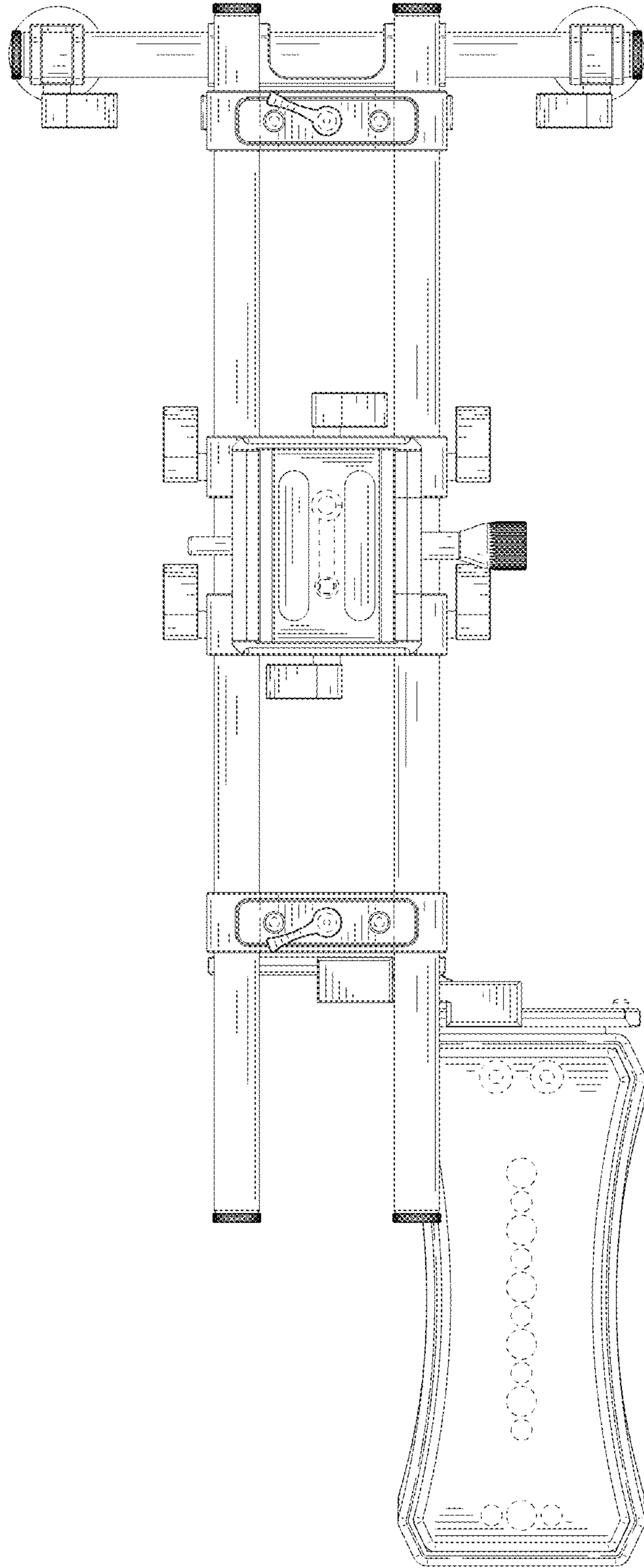


FIG. 4

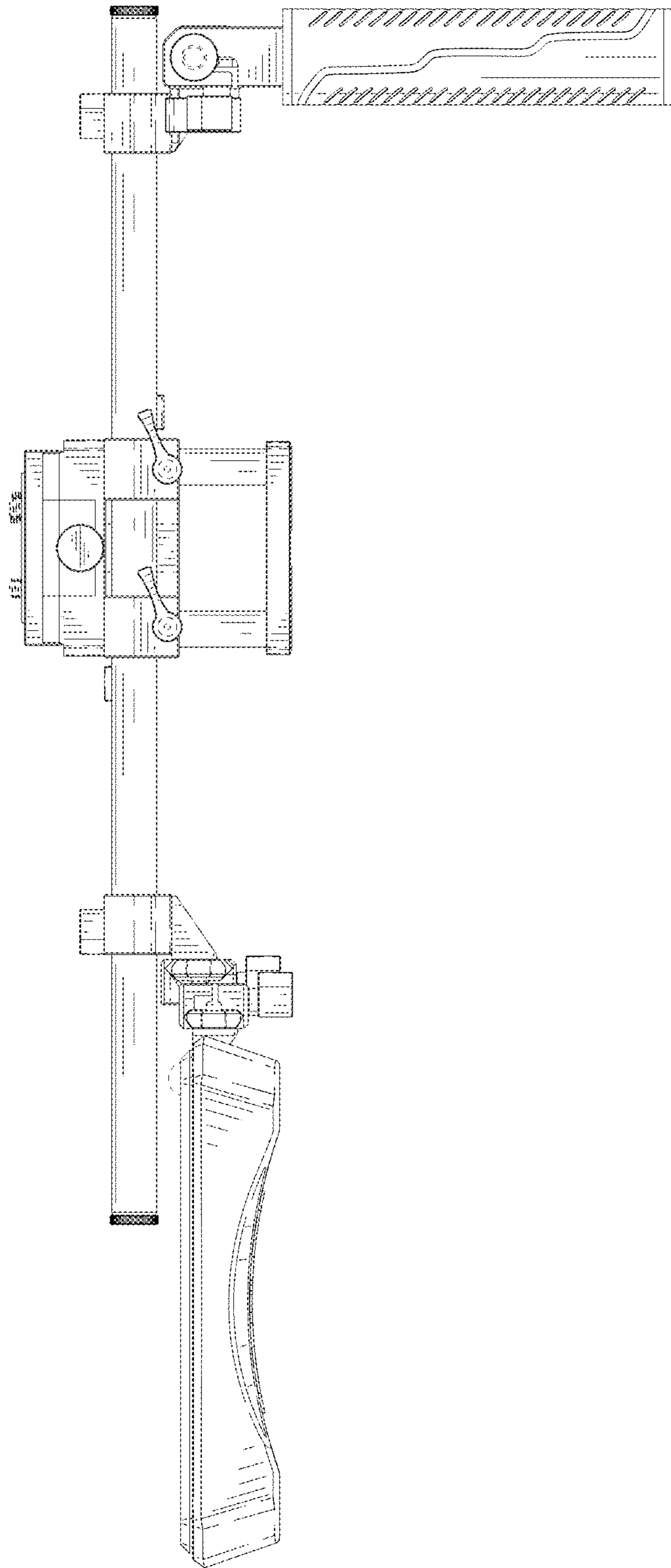


FIG. 5

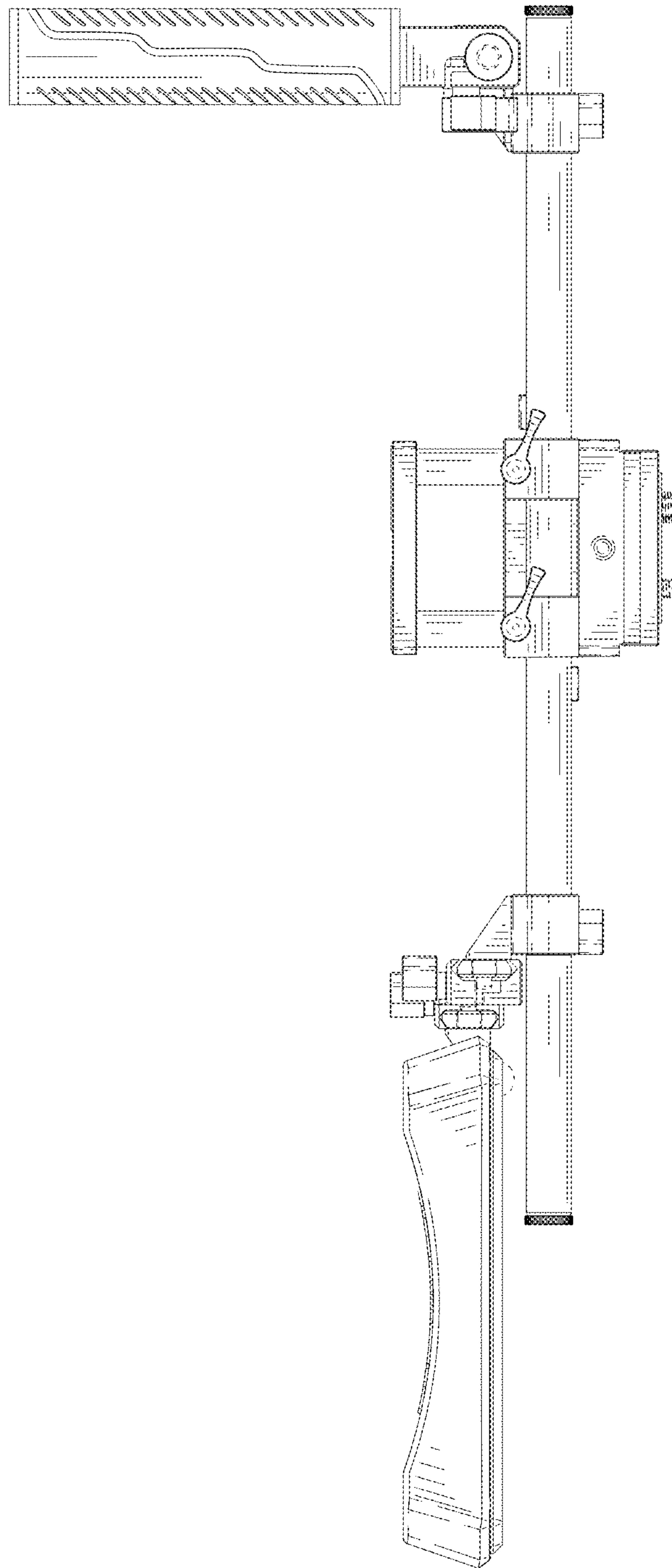


FIG. 6

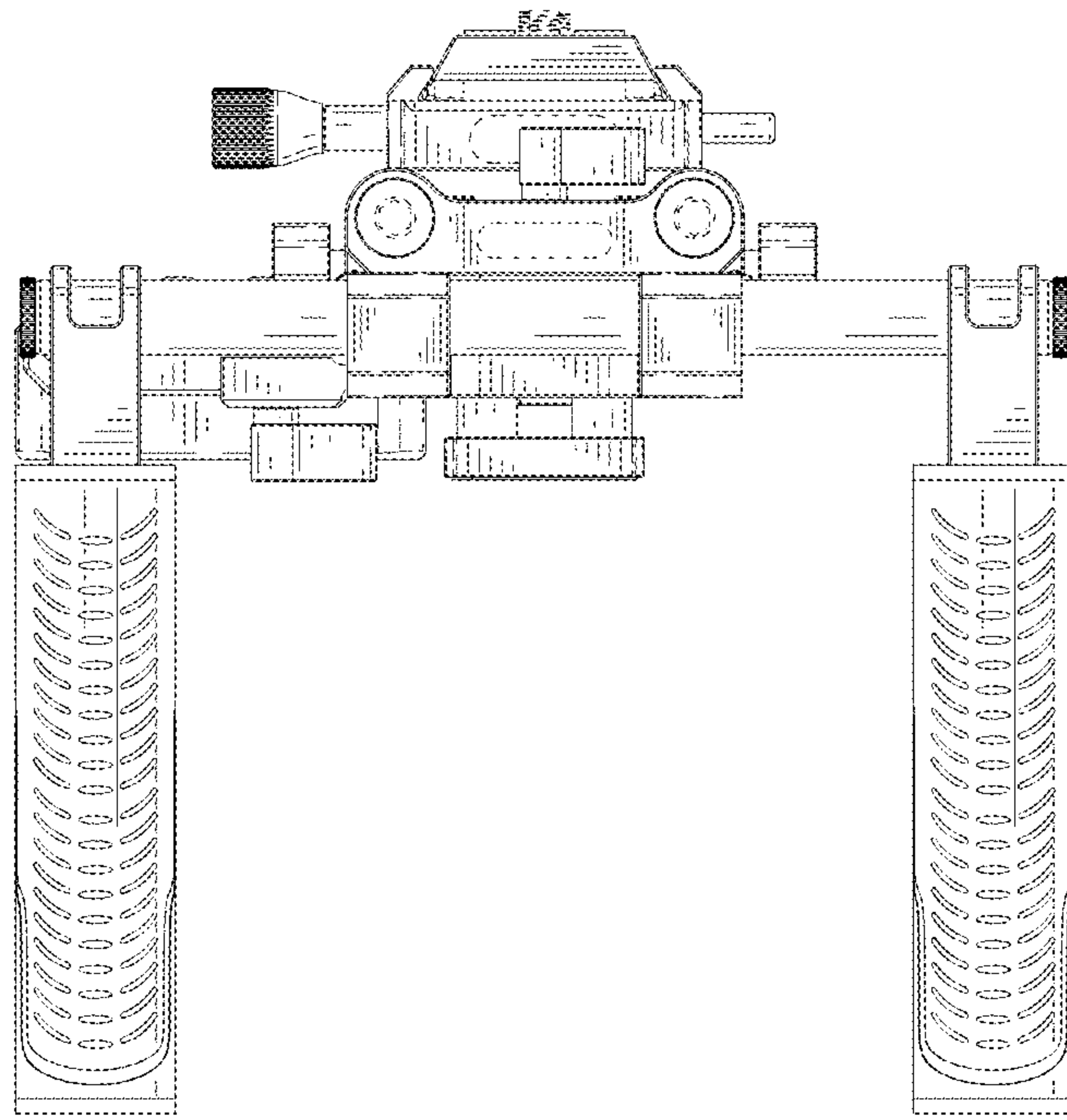


FIG. 7

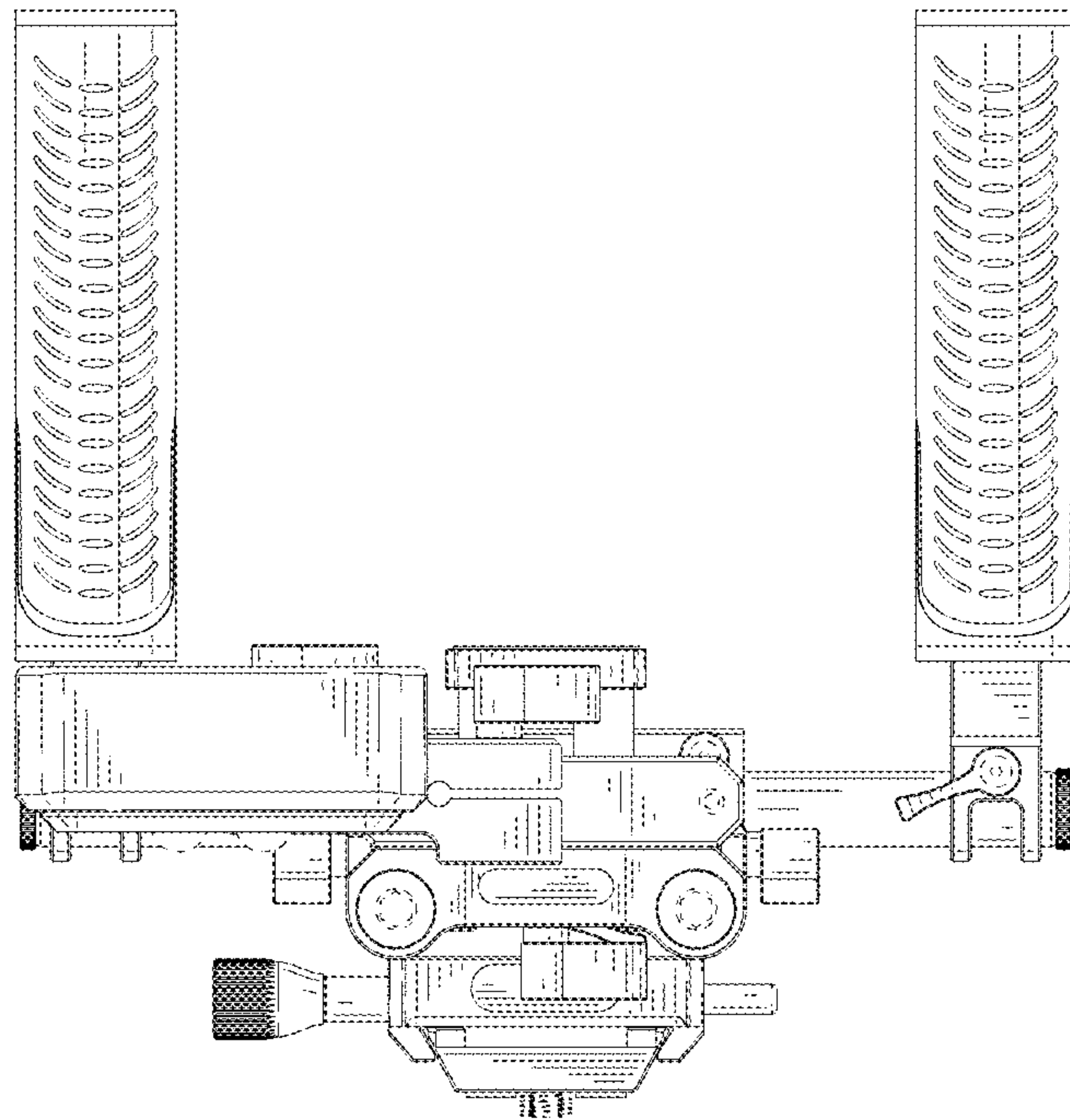


FIG. 8

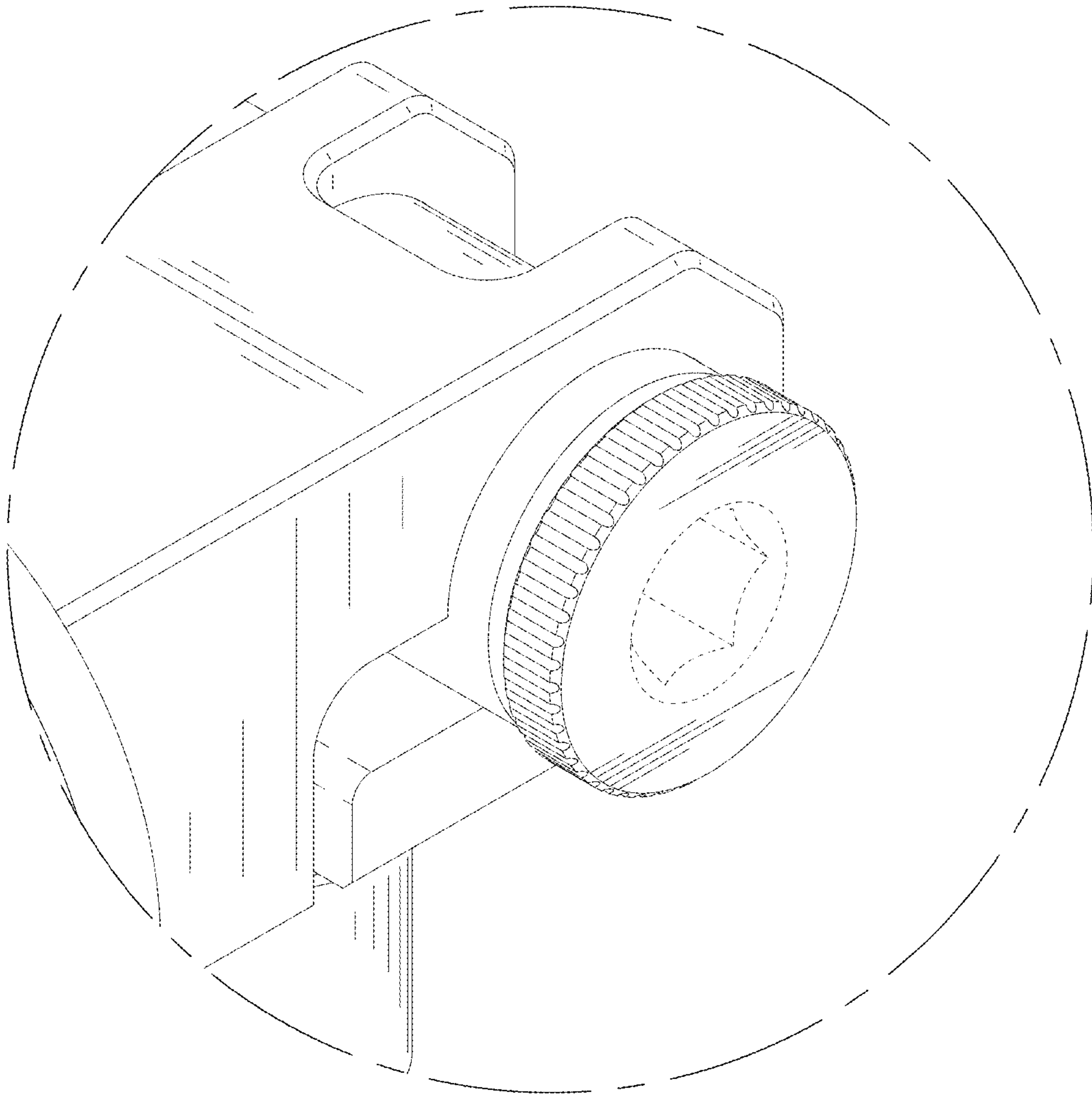


FIG. 9

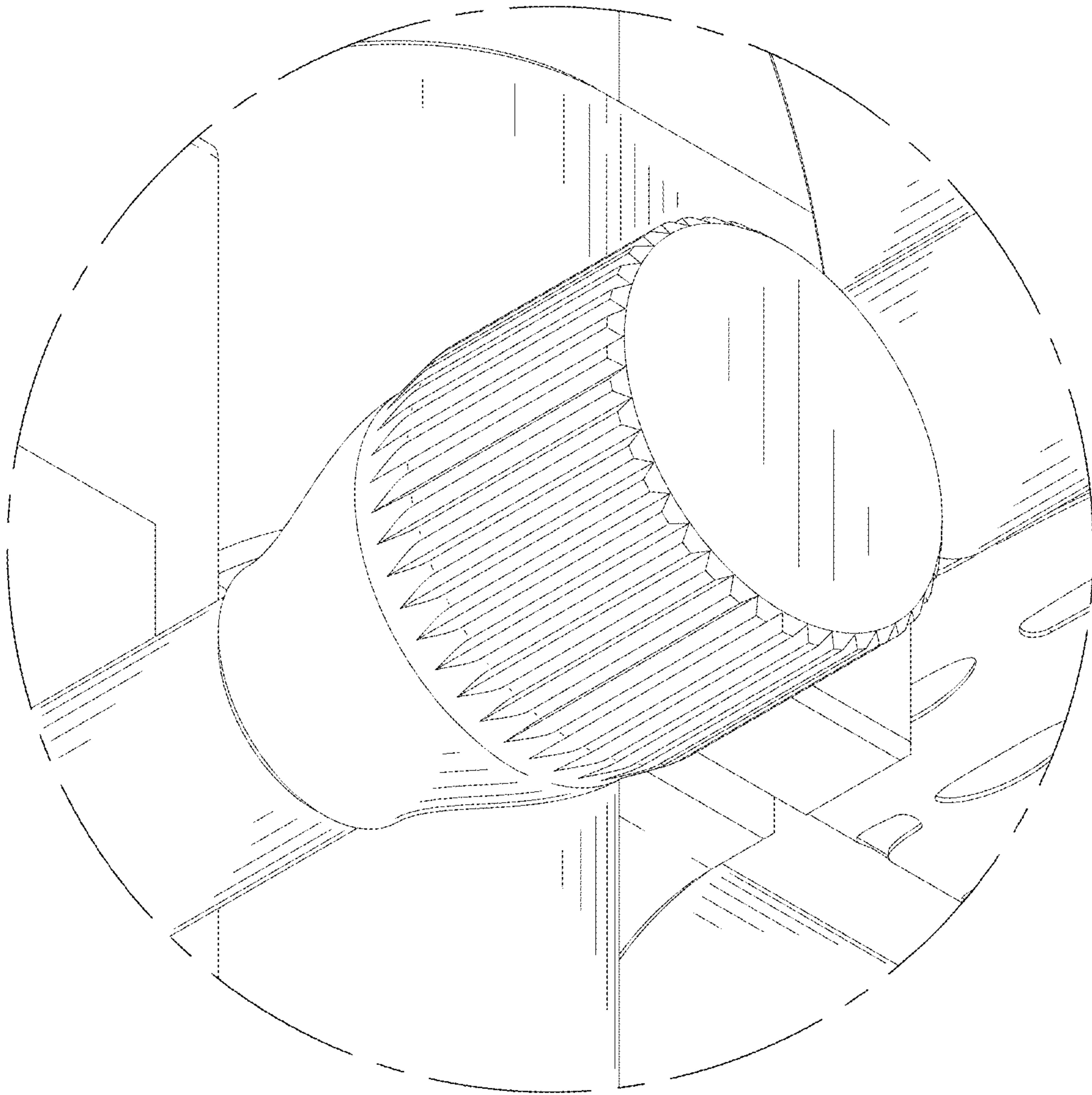


FIG. 10

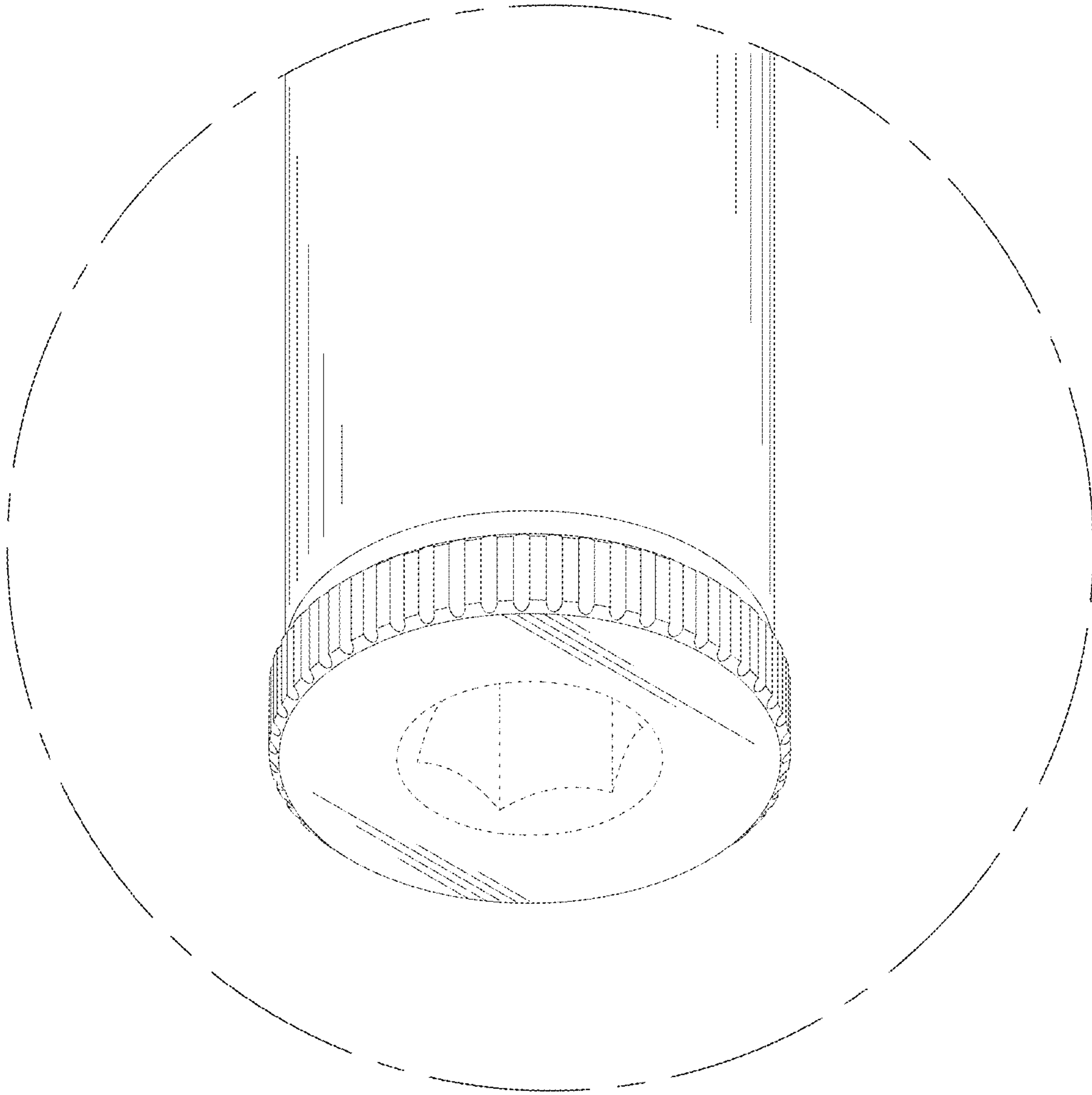


FIG. 11