



US00D983253S

(12) **United States Design Patent**  
**Nishimura**

(10) **Patent No.:** **US D983,253 S**  
(45) **Date of Patent:** **\*\* Apr. 11, 2023**

(54) **CAMERA PLATFORM**

(71) Applicant: **Canon Kabushiki Kaisha**, Tokyo (JP)

(72) Inventor: **Kenichi Nishimura**, Tokyo (JP)

(73) Assignee: **Canon Kabushiki Kaisha**, Tokyo (JP)

(\*\*) Term: **15 Years**

(21) Appl. No.: **29/727,156**

(22) Filed: **Mar. 9, 2020**

(30) **Foreign Application Priority Data**

Sep. 9, 2019 (JP) ..... 2019-020111

(51) **LOC (14) Cl.** ..... **16-05**

(52) **U.S. Cl.**  
USPC ..... **D16/242**

(58) **Field of Classification Search**  
USPC ..... D16/237-241, 243-250  
CPC ..... F16M 11/14; F16M 11/041; F16M 11/04;  
F16M 11/2078; F16M 11/28; F16M  
11/2021; F16M 11/12; F16M 11/10;  
G03B 17/566; G03B 17/563; A45F 5/10  
See application file for complete search history.

(56) **References Cited**

**U.S. PATENT DOCUMENTS**

8,292,248 B2 \* 10/2012 Shi ..... F16M 11/18  
248/125.7  
D771,733 S \* 11/2016 Wang ..... D16/242

9,663,245 B2 \* 5/2017 Zhao ..... F16M 11/10  
D816,150 S \* 4/2018 Liao ..... D16/242  
D886,892 S \* 6/2020 Voss ..... D16/242  
D894,815 S \* 9/2020 Wang ..... D12/345  
D916,946 S \* 4/2021 Dordick ..... D16/245  
11,303,143 B2 \* 4/2022 Taylor ..... H02J 50/10  
11,402,728 B2 \* 8/2022 Yokoi ..... G03B 17/561  
2021/0156509 A1 \* 5/2021 Liao ..... F16M 13/04  
2022/0166868 A1 \* 5/2022 Whitten ..... F16M 11/105

\* cited by examiner

*Primary Examiner* — Richard Kearney

*Assistant Examiner* — Benjamin M Weeks

(74) *Attorney, Agent, or Firm* — Venable LLP

(57) **CLAIM**

The ornamental design for a camera platform, as shown and described.

**DESCRIPTION**

FIG. 1 is a front view of a camera platform showing my new design;  
FIG. 2 is a rear view thereof;  
FIG. 3 is a top plan view thereof;  
FIG. 4 is a bottom plan view thereof;  
FIG. 5 is a left side view thereof;  
FIG. 6 is a right side view thereof;  
FIG. 7 is a front perspective view thereof; and,  
FIG. 8 is a rear perspective view thereof.  
The broken lines in the drawings illustrate portions of the camera platform which form no part of the claimed design.

**1 Claim, 8 Drawing Sheets**

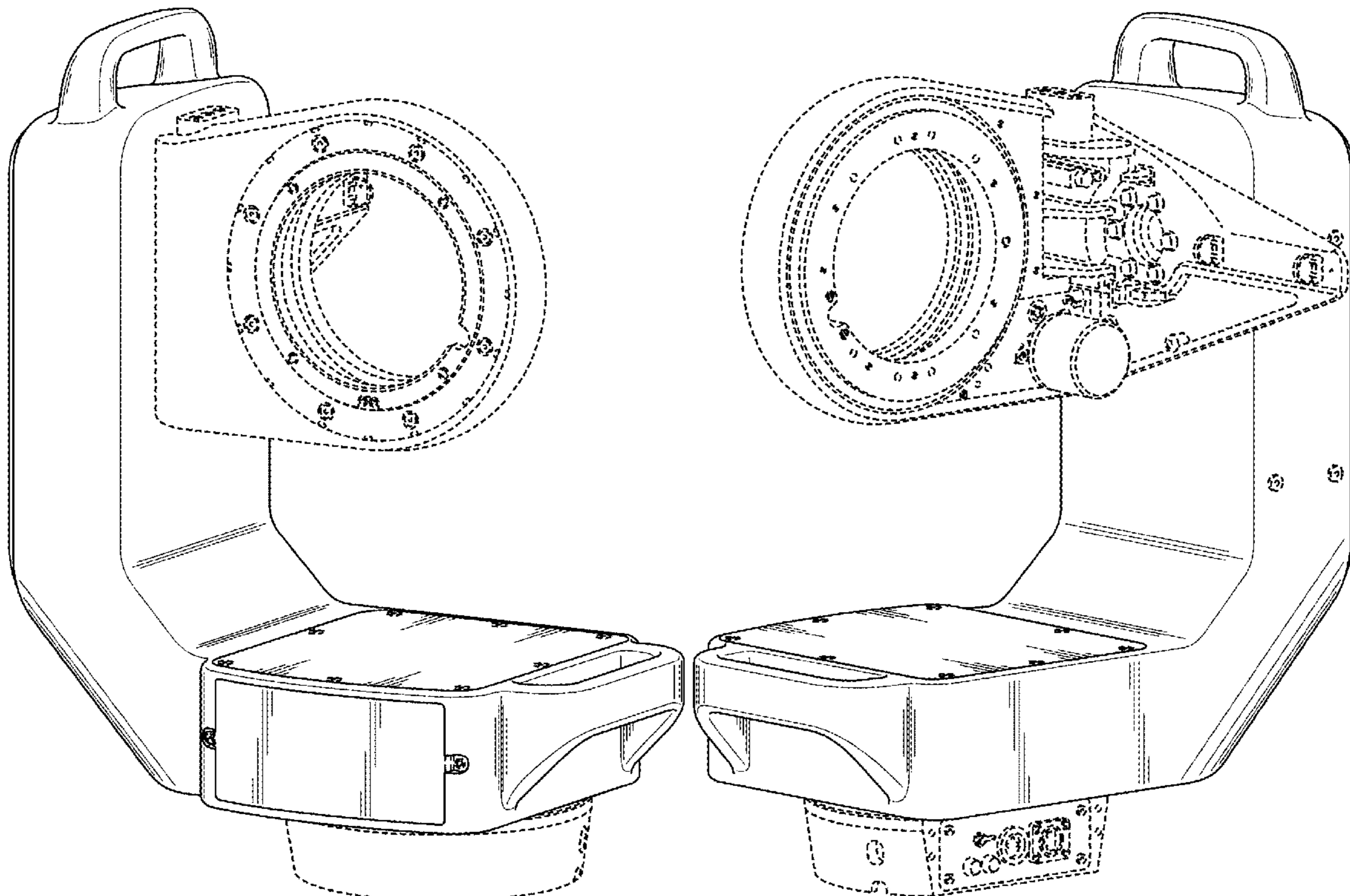


FIG. 1

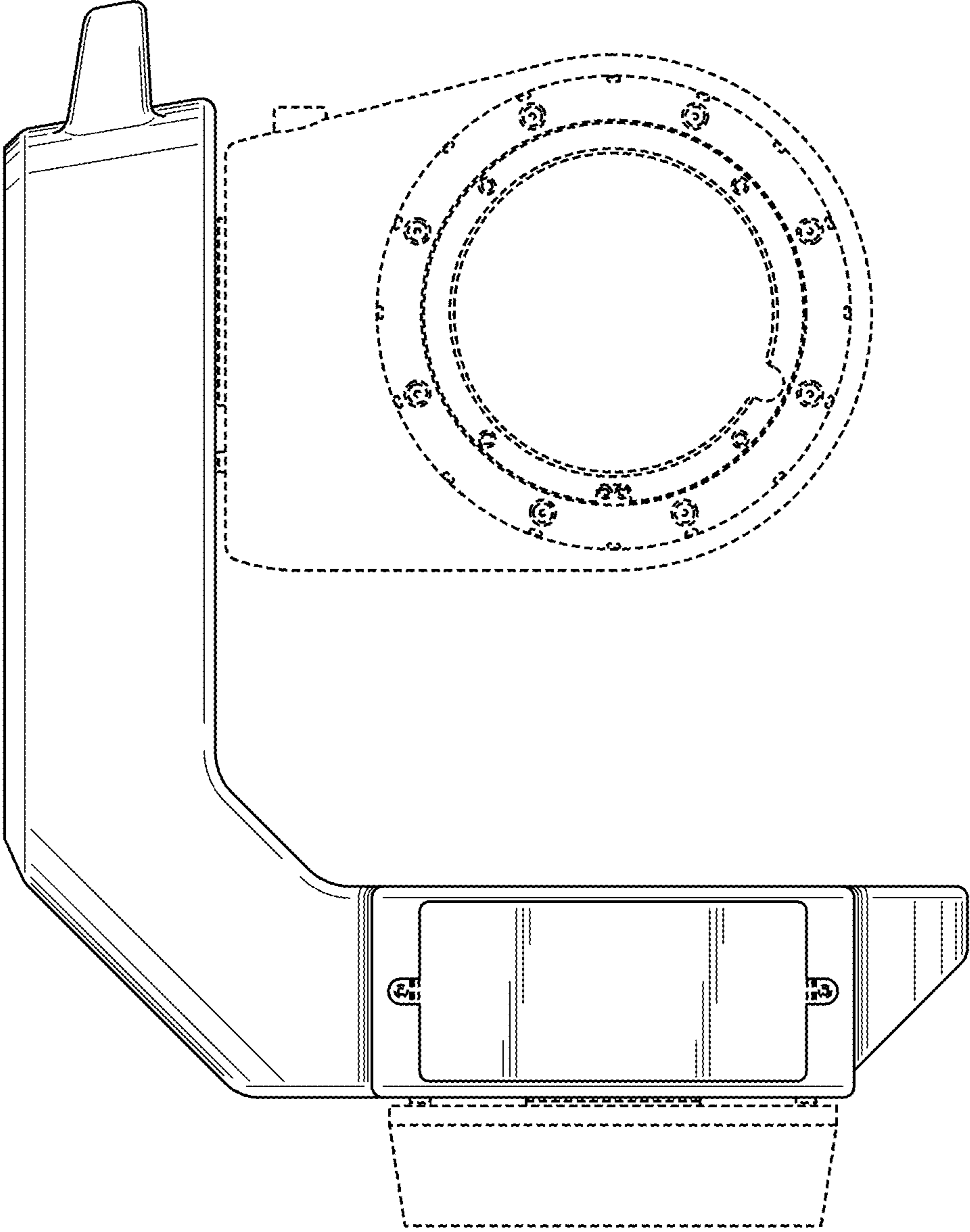


FIG. 2

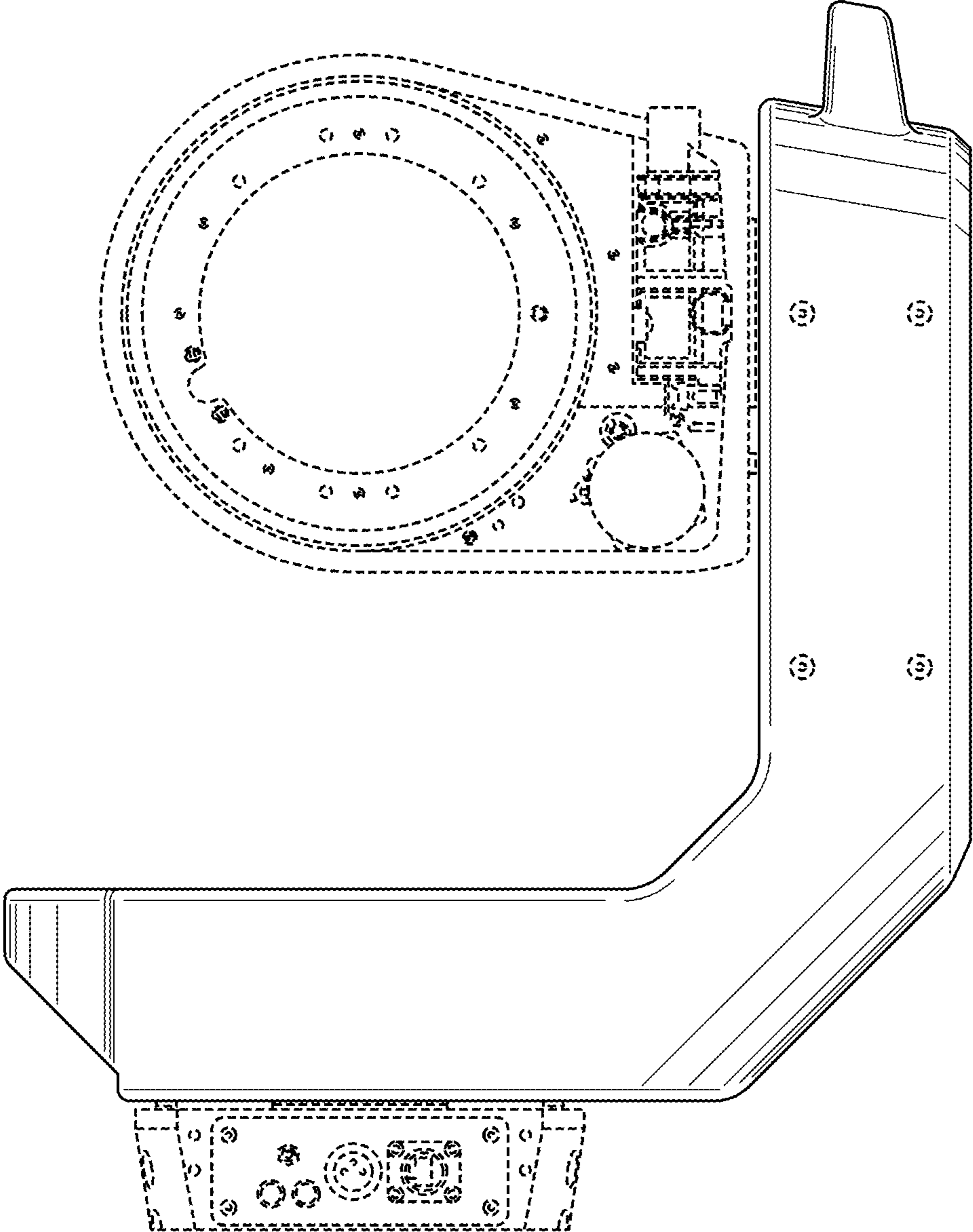
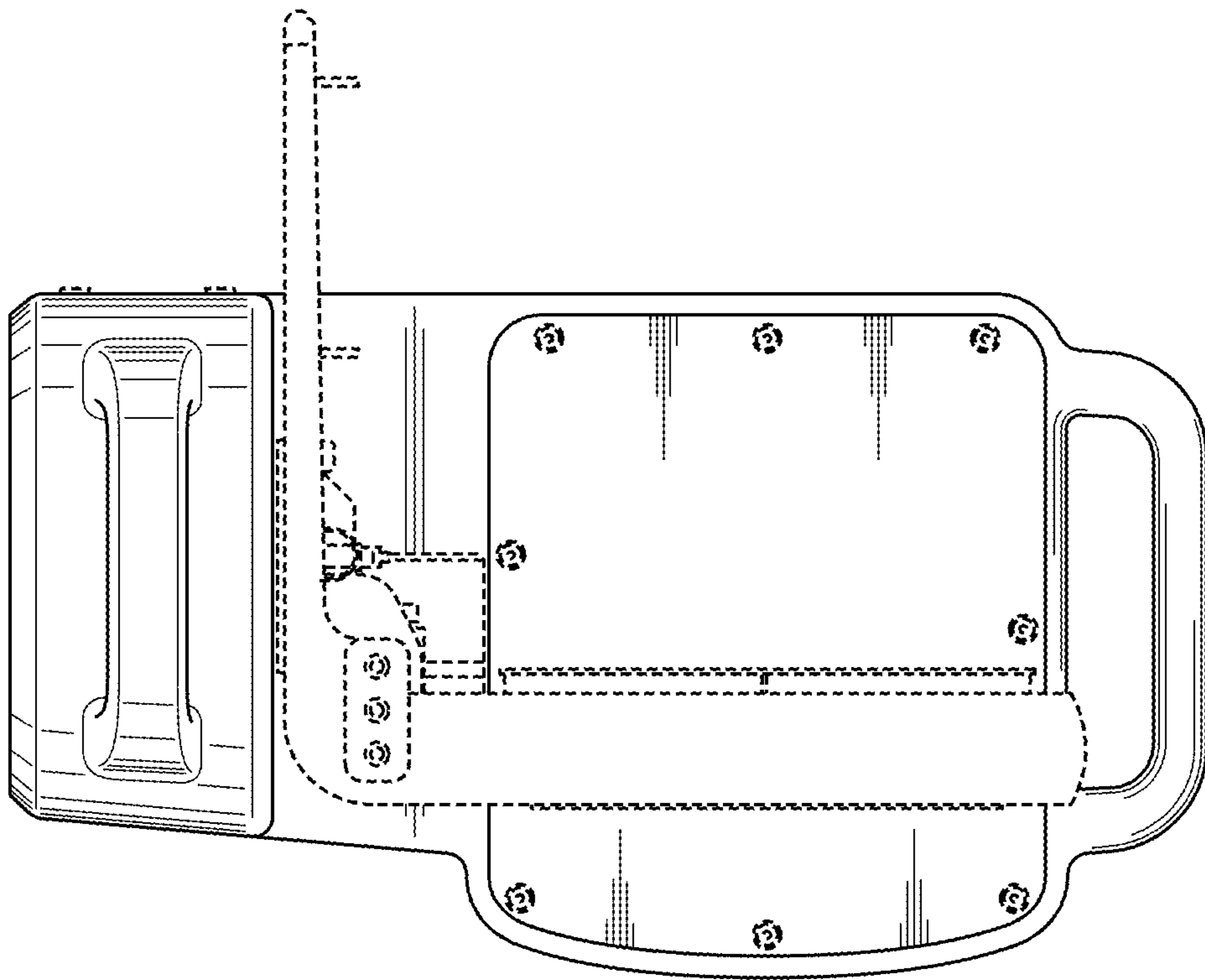
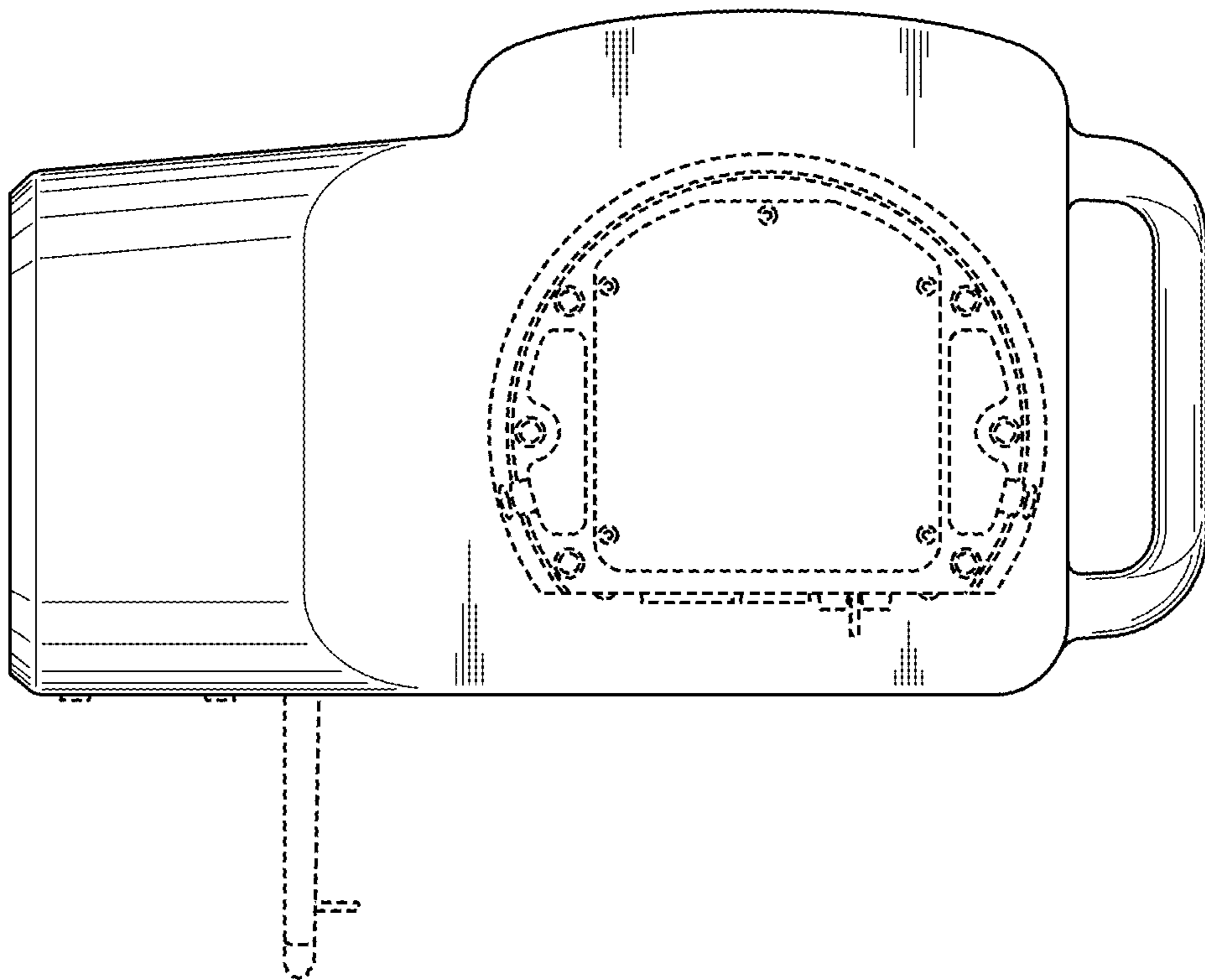


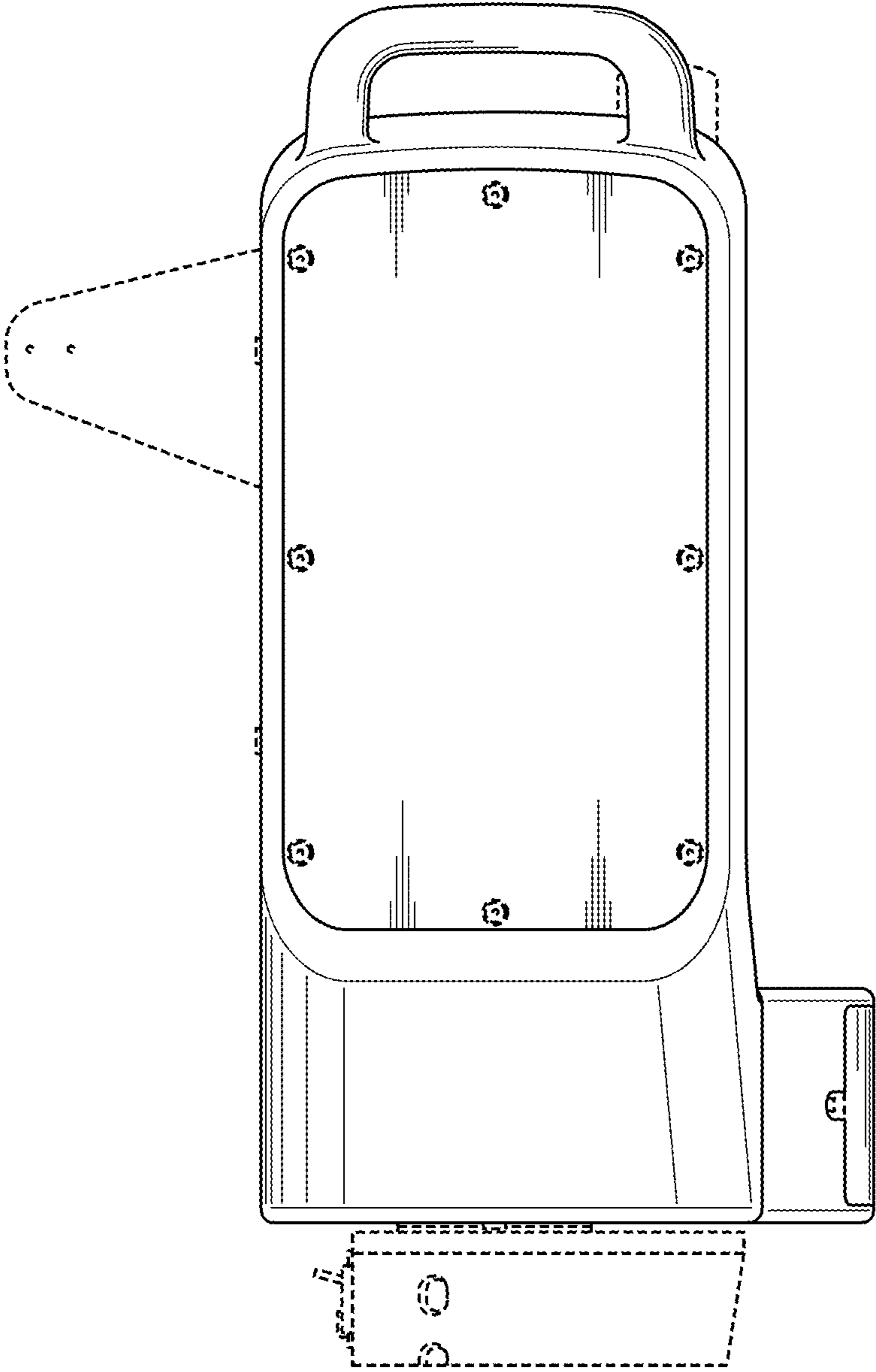
FIG. 3



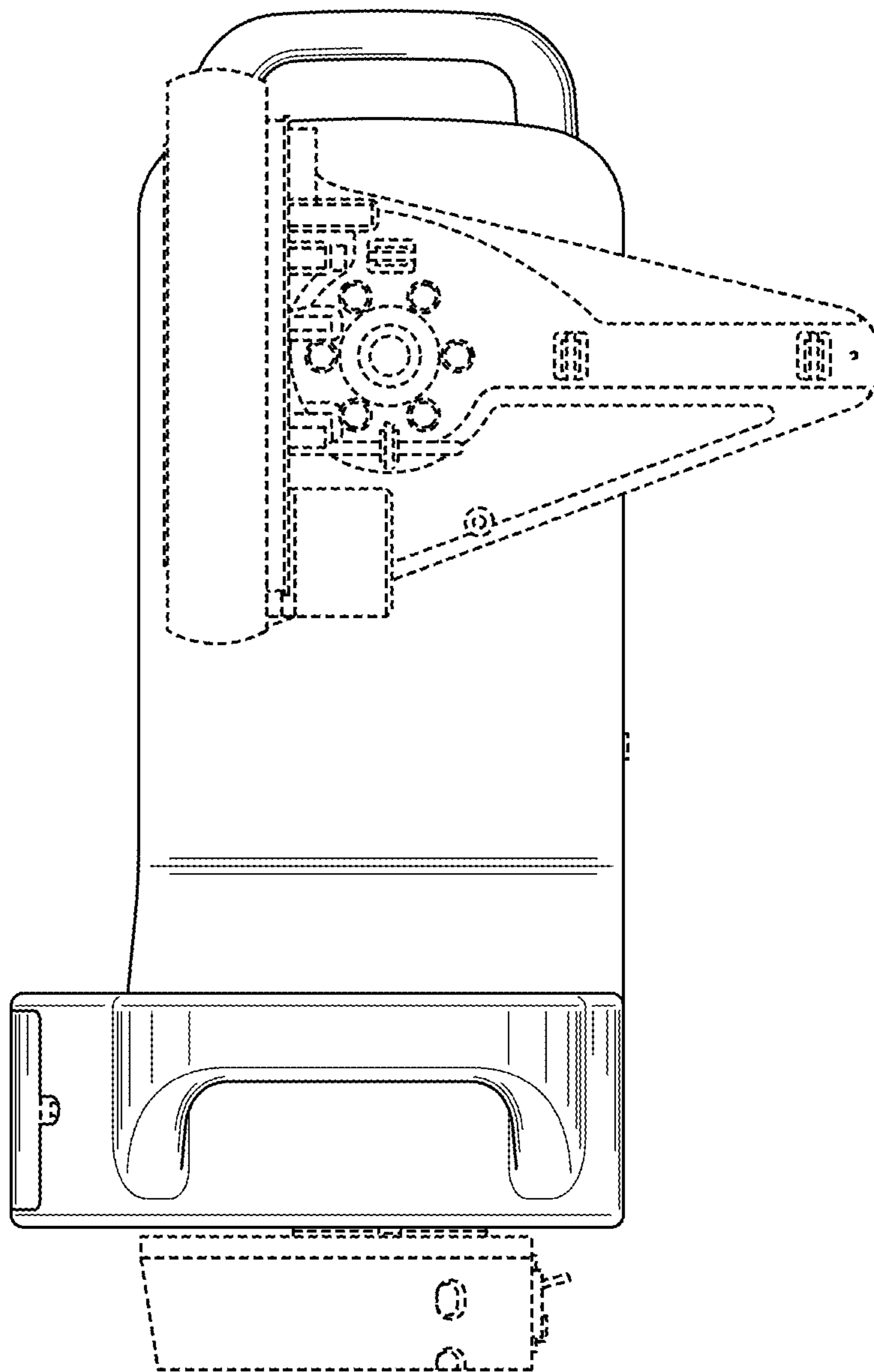
**FIG. 4**



**FIG. 5**



**FIG. 6**



**FIG. 7**

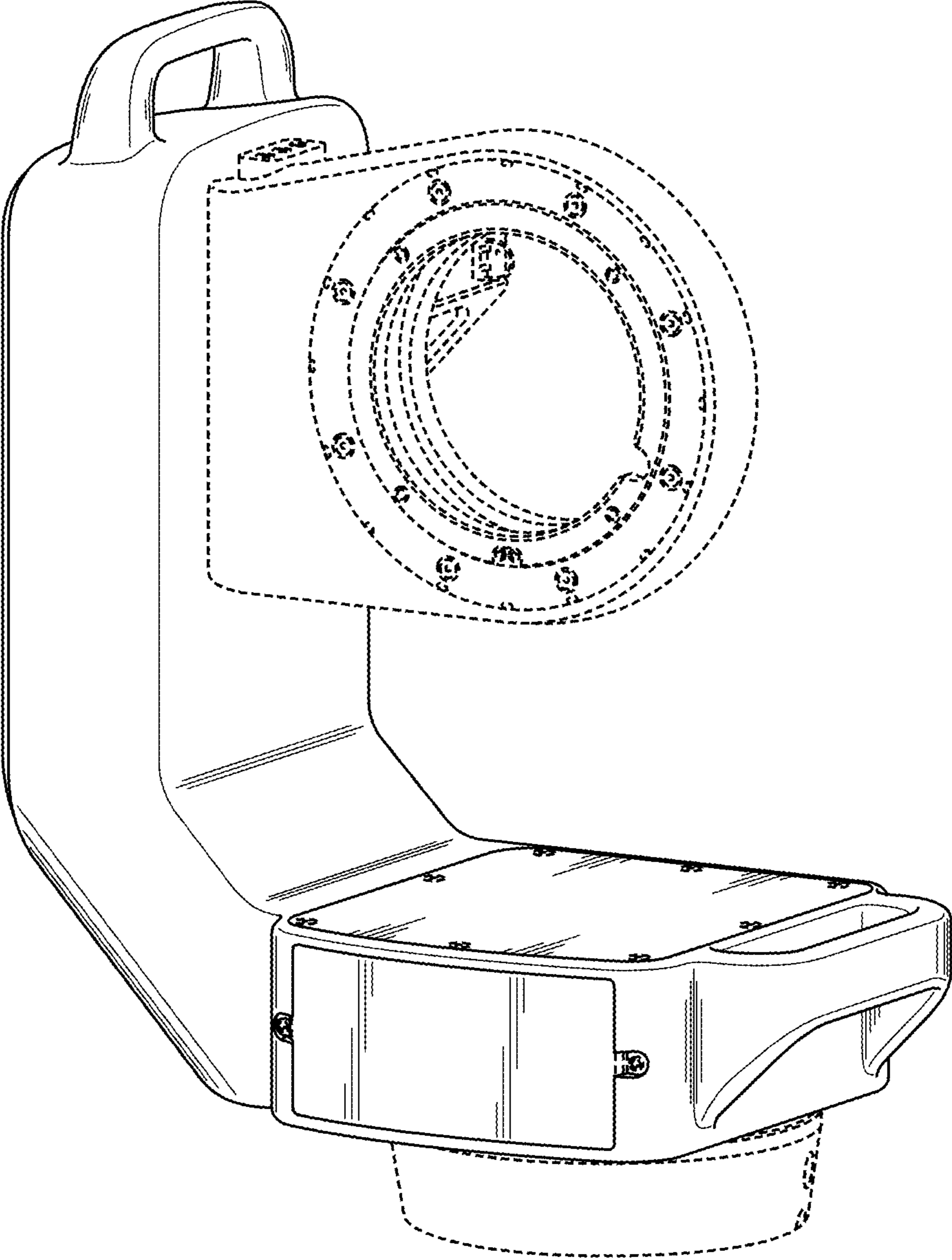




FIG. 8

