



US00D983251S

(12) **United States Design Patent**
Liao et al.

(10) **Patent No.:** **US D983,251 S**
(45) **Date of Patent:** **** Apr. 11, 2023**

(54) **FLASHLIGHT FOR PHOTOGRAPHY**

(71) Applicant: **SHENZHEN NEEWER TECHNOLOGY CO. LTD**, Shenzhen (CN)

(72) Inventors: **Jilin Liao**, Shenzhen (CN); **Liang Xia**, Shenzhen (CN); **Jun Wang**, Shenzhen (CN); **Yan Ke**, Shenzhen (CN)

(73) Assignee: **SHENZHEN NEEWER TECHNOLOGY CO. LTD**, Shenzhen (CN)

(**) Term: **15 Years**

(21) Appl. No.: **29/863,396**

(22) Filed: **Dec. 19, 2022**

(51) **LOC (14) Cl.** **16-05**

(52) **U.S. Cl.**
USPC **D16/239**

(58) **Field of Classification Search**
USPC D16/202, 208–209, 219, 221–250
CPC .. F21K 5/00; F21K 5/23; G03B 15/02; G03B 15/03; G03B 15/04; G03B 15/05; G03B 15/06; G03B 15/405; G03B 15/431; G03B 15/452; G03B 15/473; G03B 17/08; G03B 17/12; G03B 17/18; G03B 17/20; G03B 7/03; G03B 7/08; G03B 7/16–17; G03B 7/28; G03B 7/87; G03B 7/97; G03B 9/70; G06T 5/50; H04N 23/56; H04N 23/63; H04N 23/74; H04N 23/76; H04N 23/88; H04N 23/667; H04N 23/673; H05B 41/32

See application file for complete search history.

(56) **References Cited**

U.S. PATENT DOCUMENTS

D241,273 S 8/1976 Okuso et al.
D263,720 S 4/1982 Takematsu
D342,753 S 12/1993 Haga

D453,351 S * 2/2002 Kitera D16/239
D502,488 S 3/2005 Miyashita
D696,711 S 12/2013 Takahashi
D701,553 S 3/2014 Sanhui
D703,723 S 4/2014 Soejima
D741,395 S 10/2015 Oh
9,921,457 B2 * 3/2018 Okano G03B 15/05

(Continued)

Primary Examiner — Mary Shannon Malley
Assistant Examiner — Christopher John Suarez La Rosa
(74) *Attorney, Agent, or Firm* — Westbridge IP LLC

(57) **CLAIM**

The ornamental design for a flashlight for photography, as shown and described.

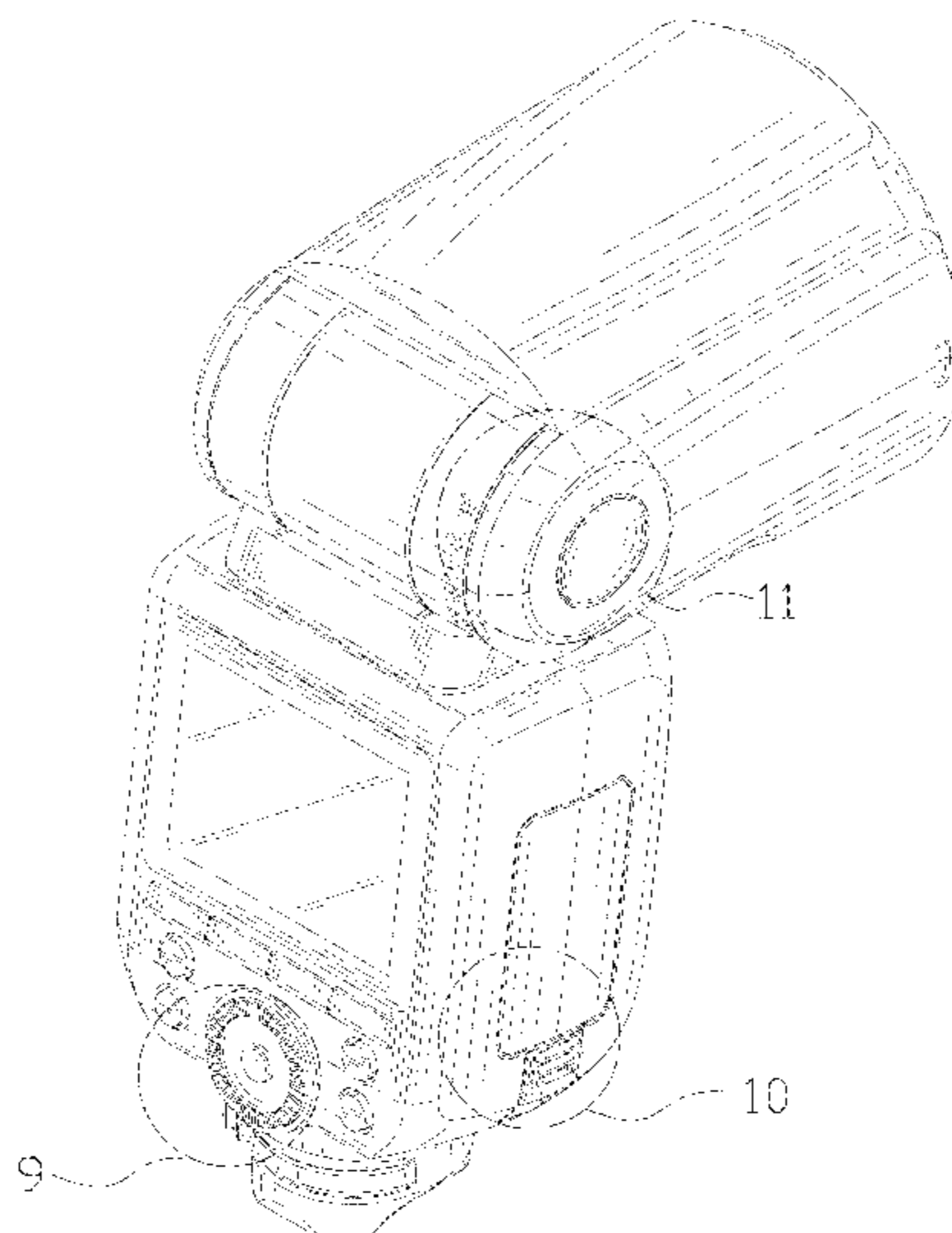
DESCRIPTION

FIG. 1 is a front, right and top perspective view of a flashlight for photography showing our new design; FIG. 2 is a rear, left and bottom perspective view thereof; FIG. 3 is a front elevation view thereof; FIG. 4 is a rear elevation view thereof; FIG. 5 is a left side elevation view thereof; FIG. 6 is a right side elevation view thereof; FIG. 7 is a top plan view thereof; FIG. 8 is a bottom plan view thereof; FIG. 9 is a partial enlarged view taken from circle 9 in FIG. 1; FIG. 10 is a partial enlarged view taken from circle 10 in FIG. 1; FIG. 11 is a partial enlarged view taken from circle 11 in FIG. 1; and, FIG. 12 is a partial enlarged view taken from circle 12 in FIG. 2.

The dash-dash broken lines in the drawings depict the portions of the flashlight for photography which form no part of the claimed design.

The dot-dash broken lines in the drawings depict the boundaries of the partial enlarged views that form no part of the claimed design.

1 Claim, 12 Drawing Sheets



(56)

References Cited

U.S. PATENT DOCUMENTS

D819,115 S * 5/2018 Nohara D16/239
D855,683 S * 8/2019 Sakai D16/239
10,386,700 B2 * 8/2019 Okano G03B 15/05
D866,646 S * 11/2019 Liu D16/239
D923,683 S * 6/2021 Ke D16/239
11,061,300 B2 * 7/2021 Stenbacka G02B 7/04
D927,584 S * 8/2021 Chen D26/51
D970,594 S * 11/2022 Wang D16/240
D970,596 S * 11/2022 Wang D16/240
D971,299 S * 11/2022 Xia D16/240
2020/0218135 A1 * 7/2020 Stenbacka G03B 15/05

* cited by examiner

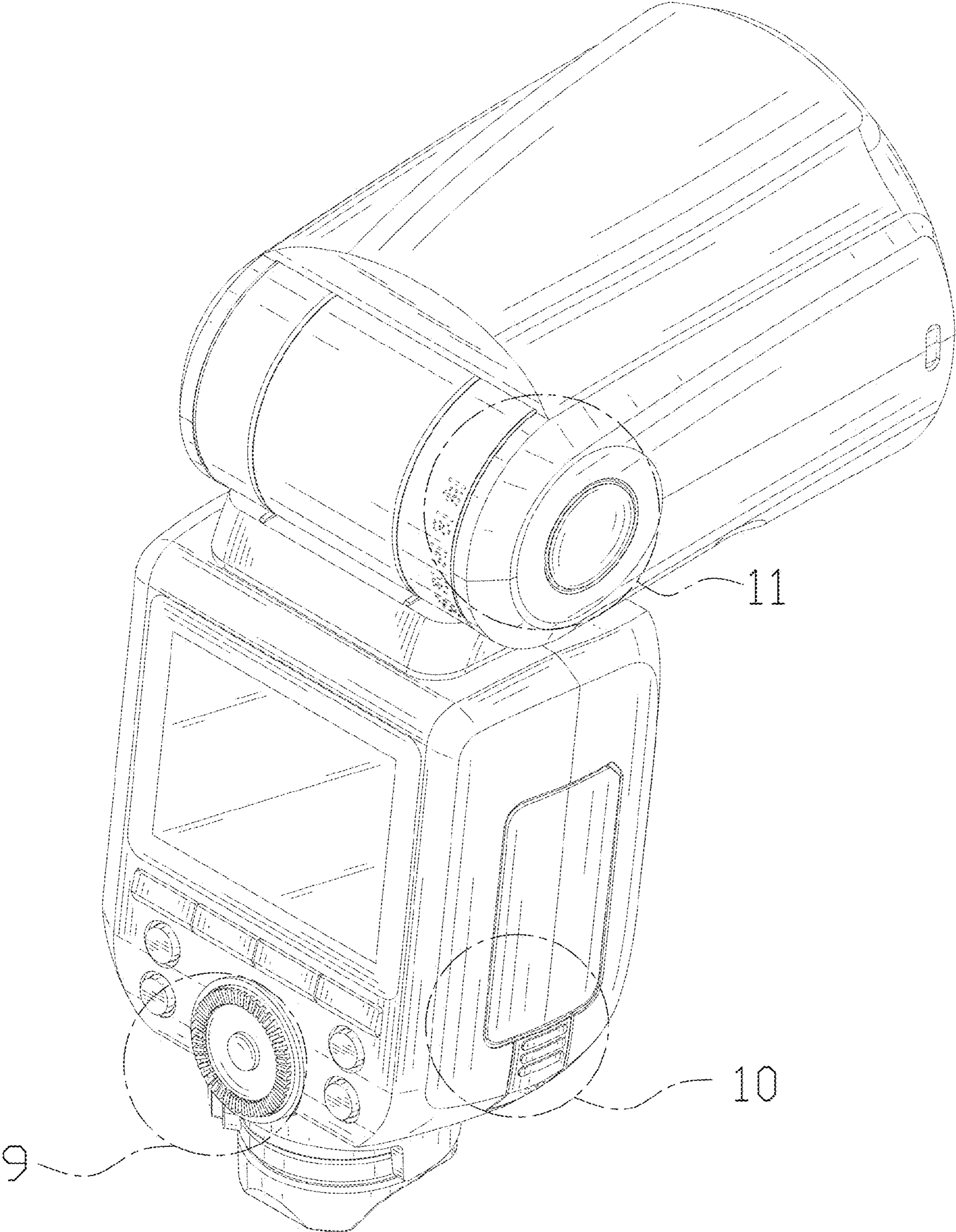


FIG. 1

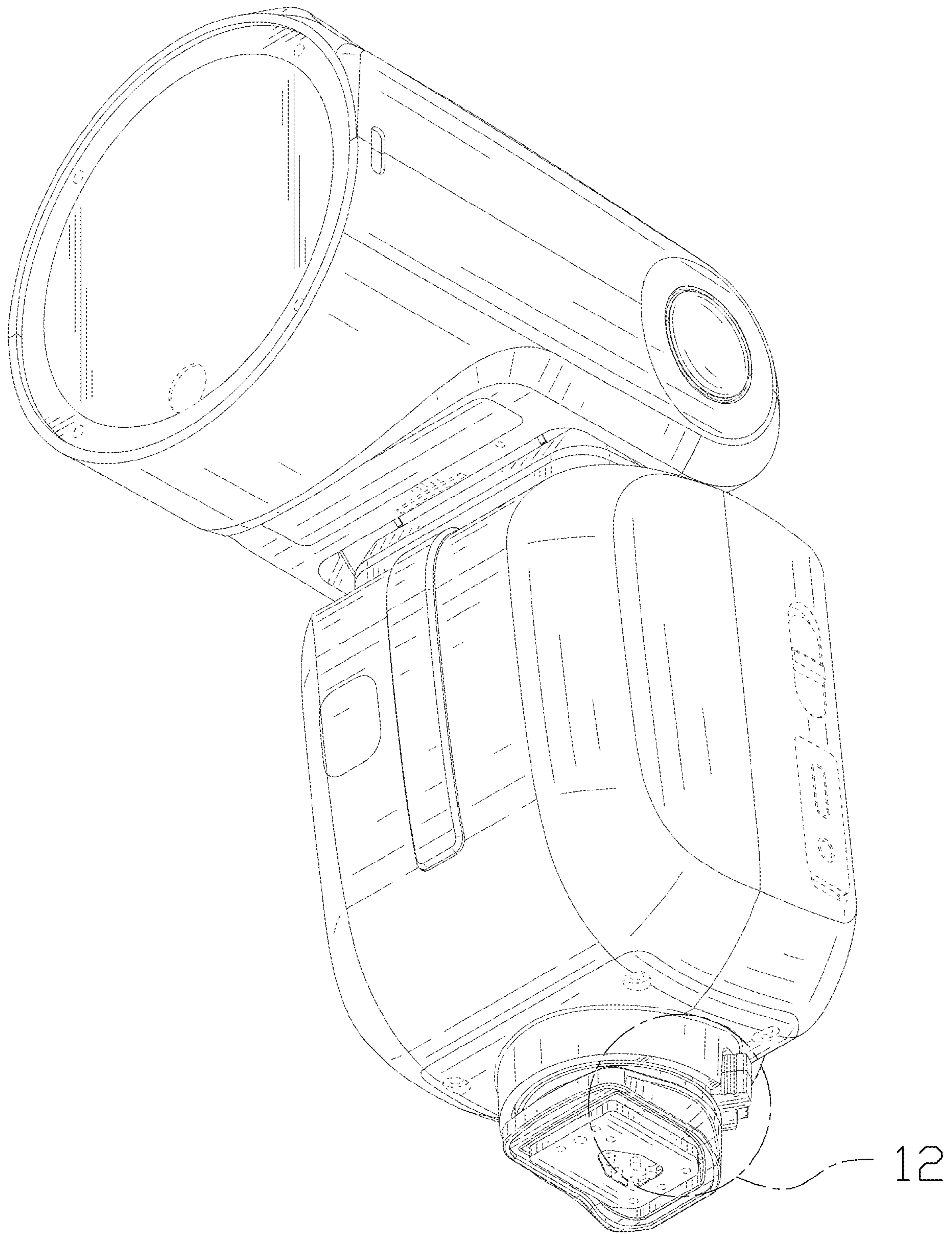


FIG. 2

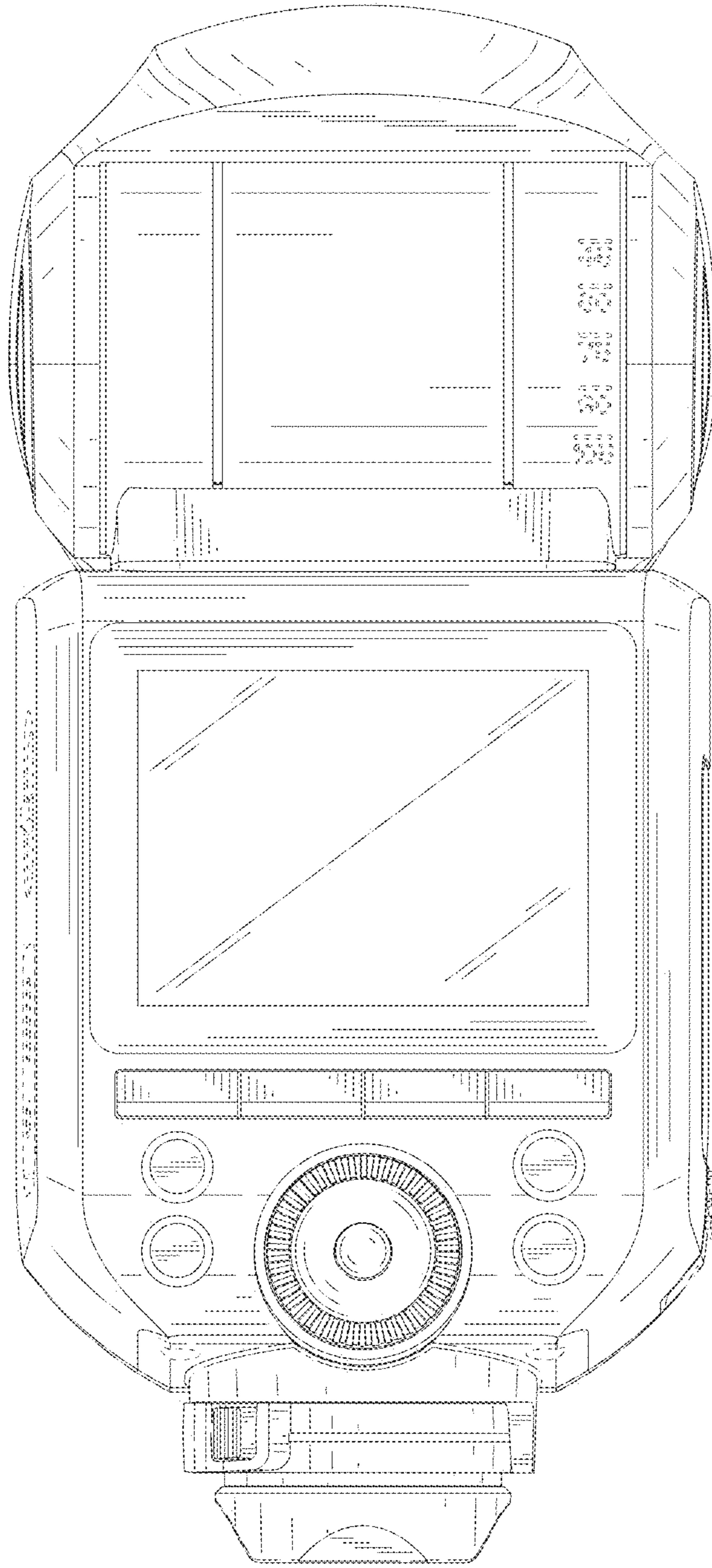


FIG. 3

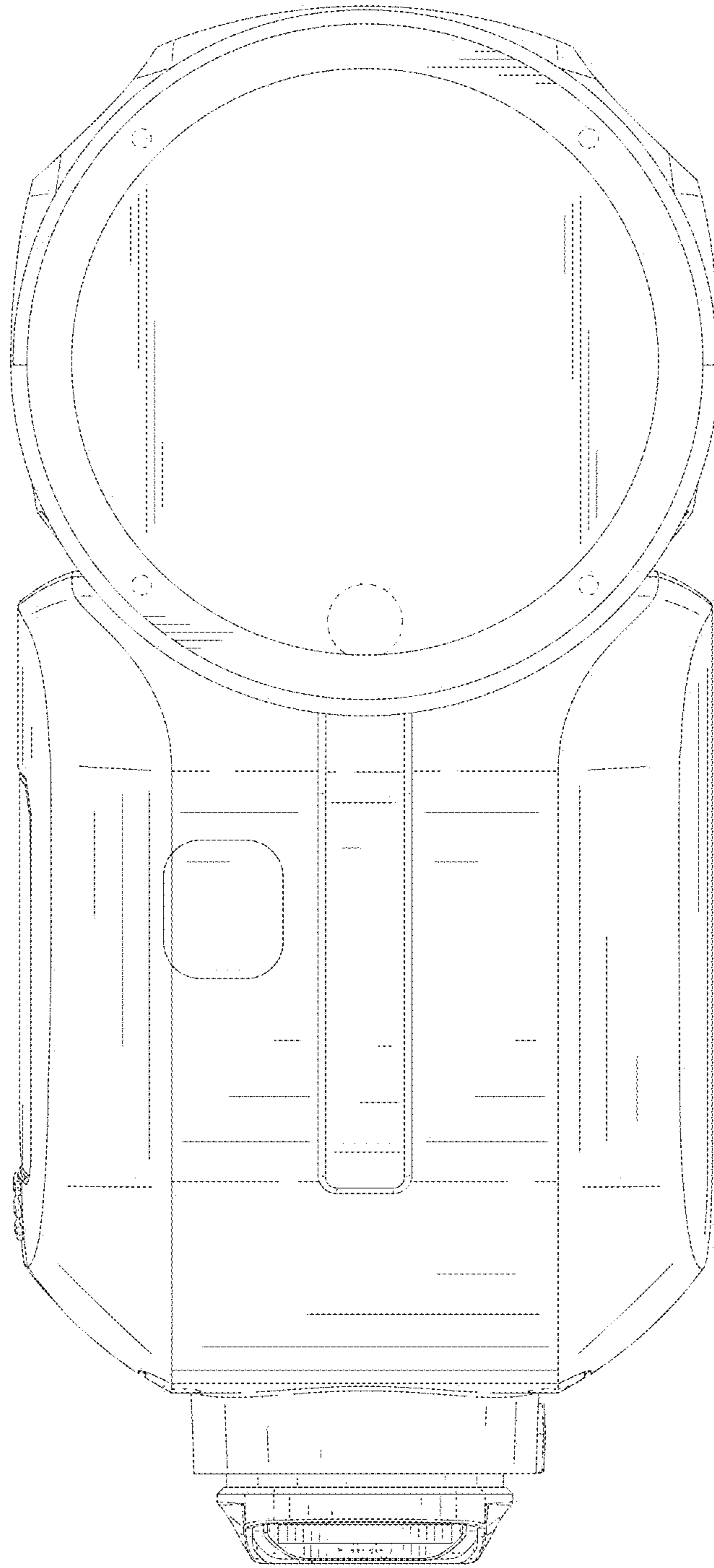


FIG. 4

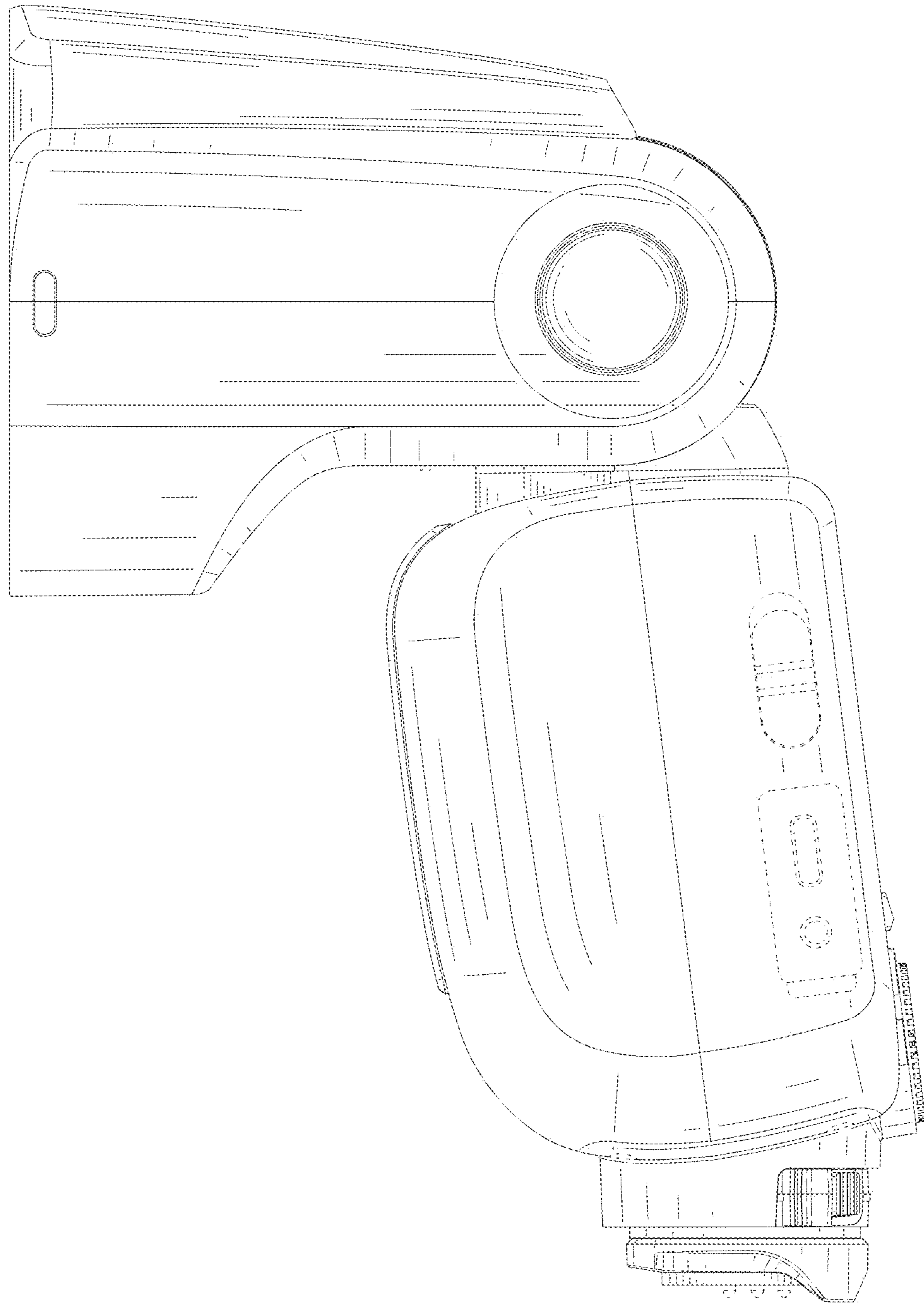


FIG. 5

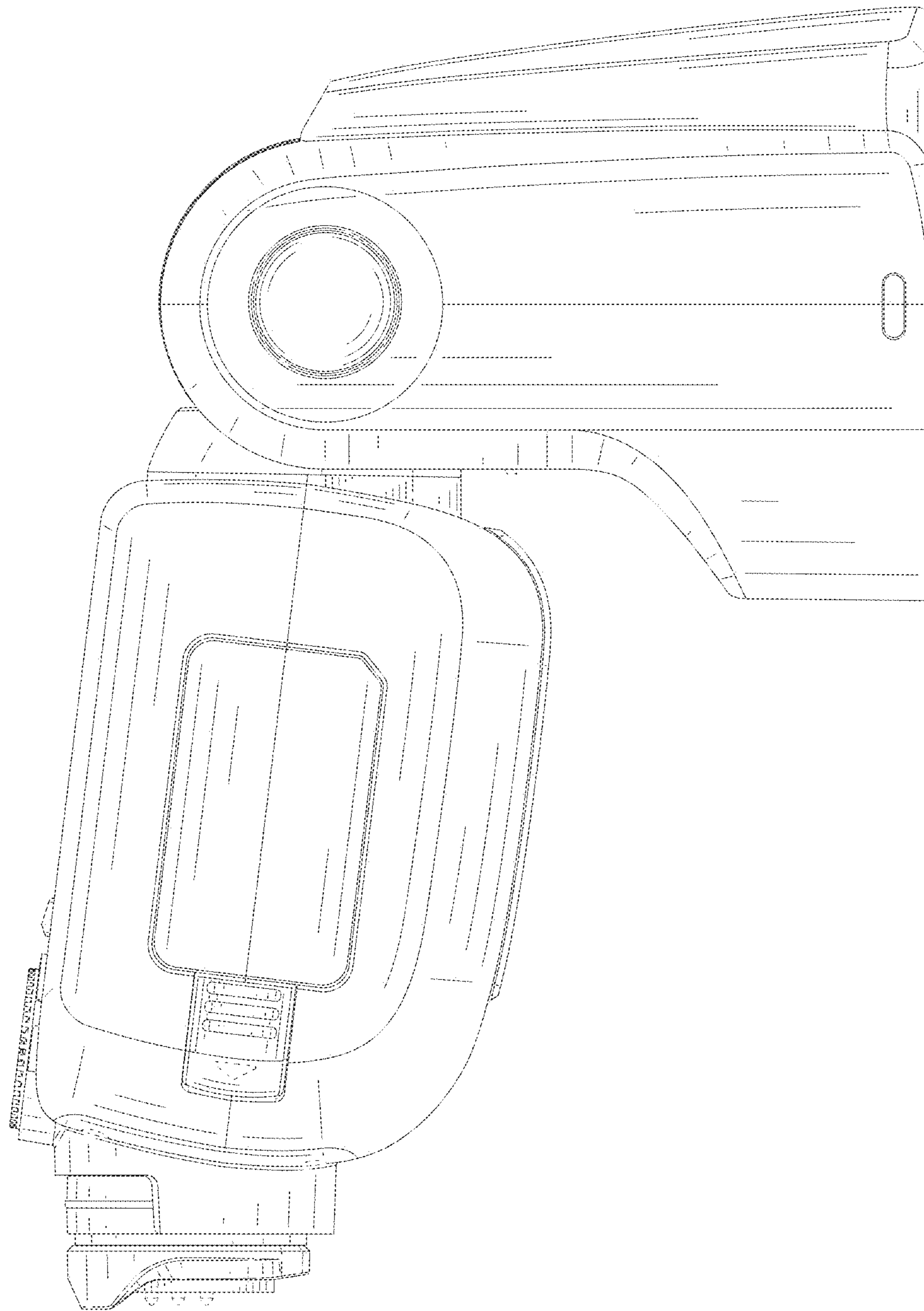


FIG. 6

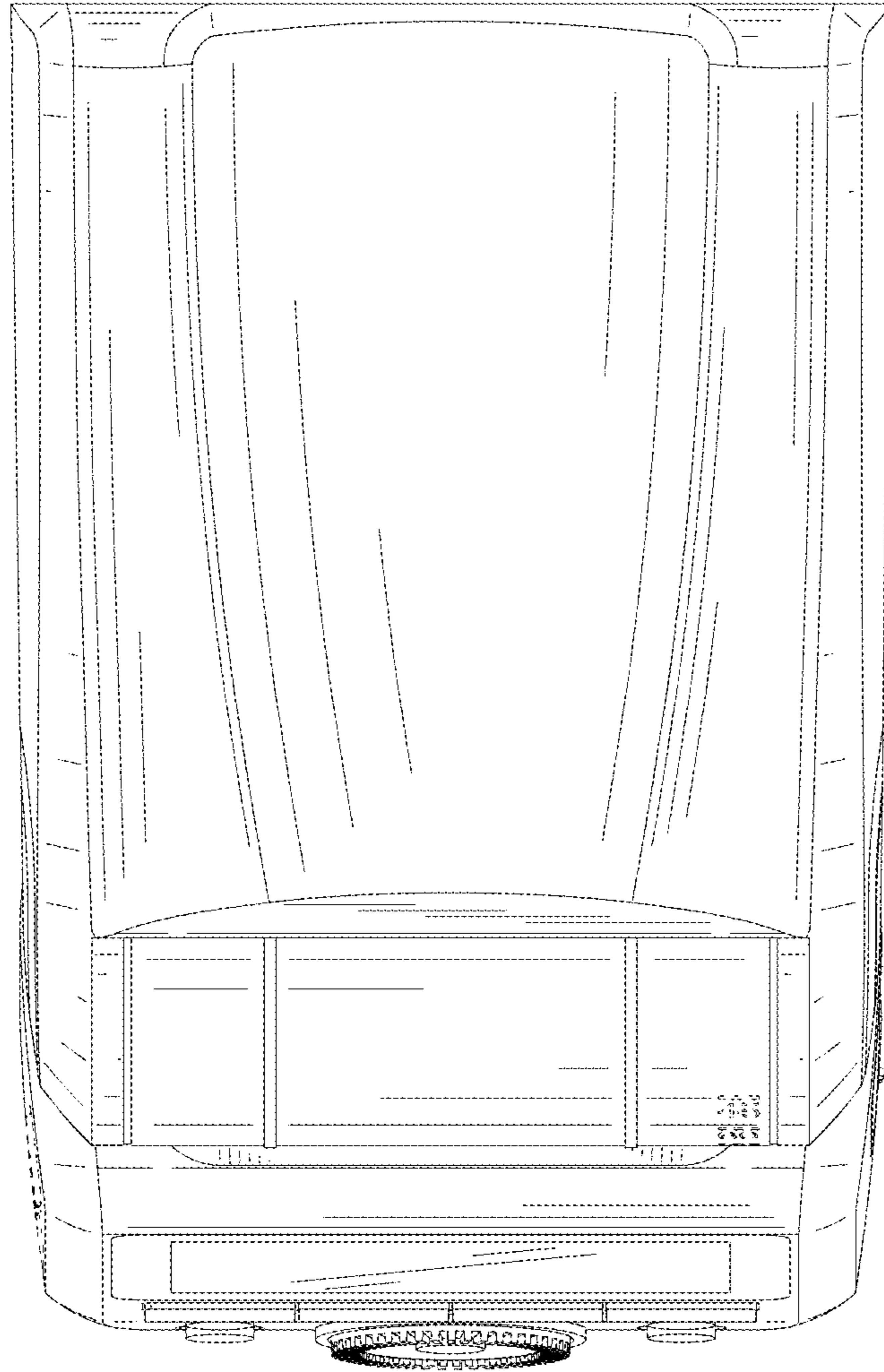


FIG. 7

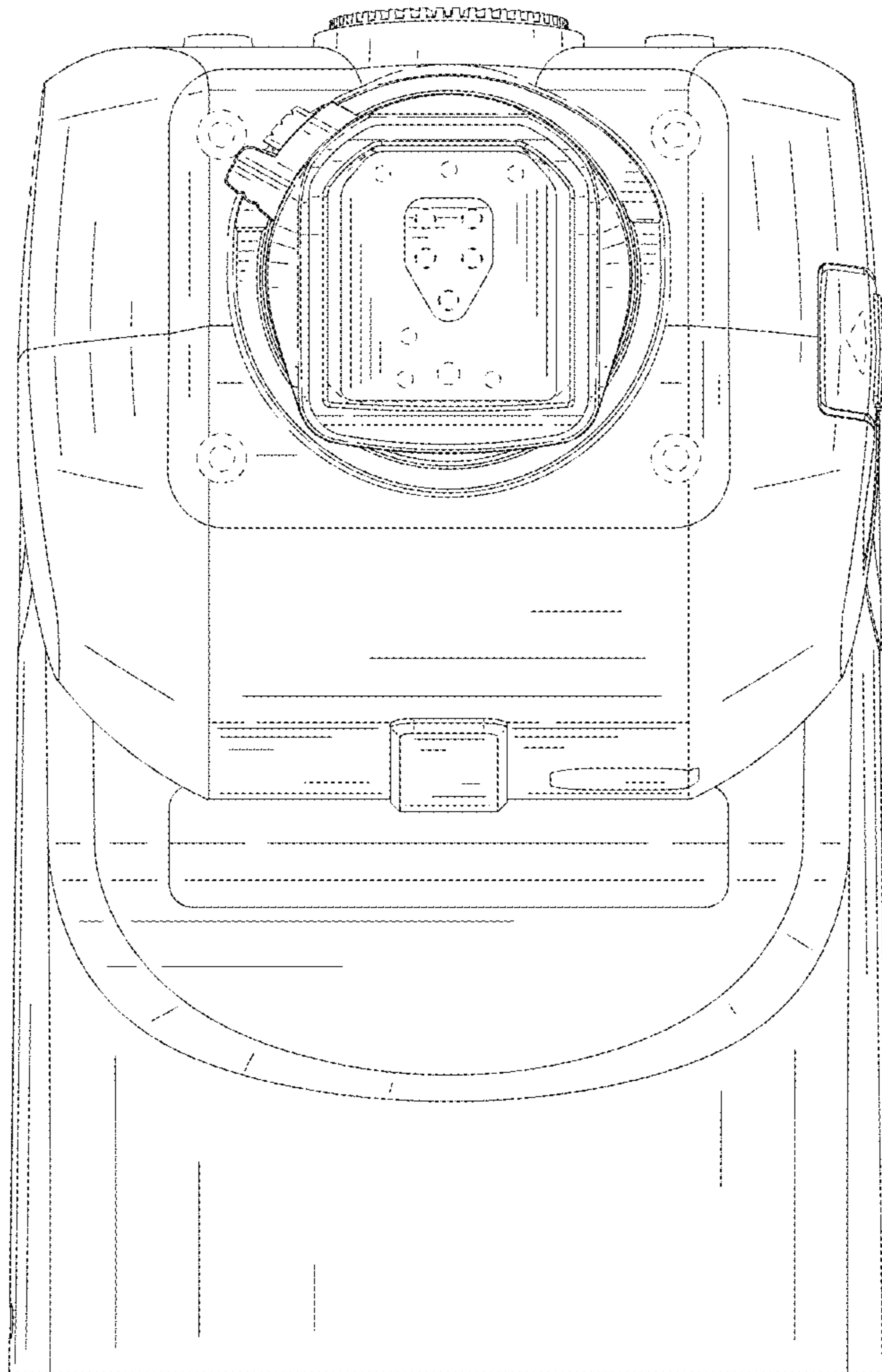


FIG. 8

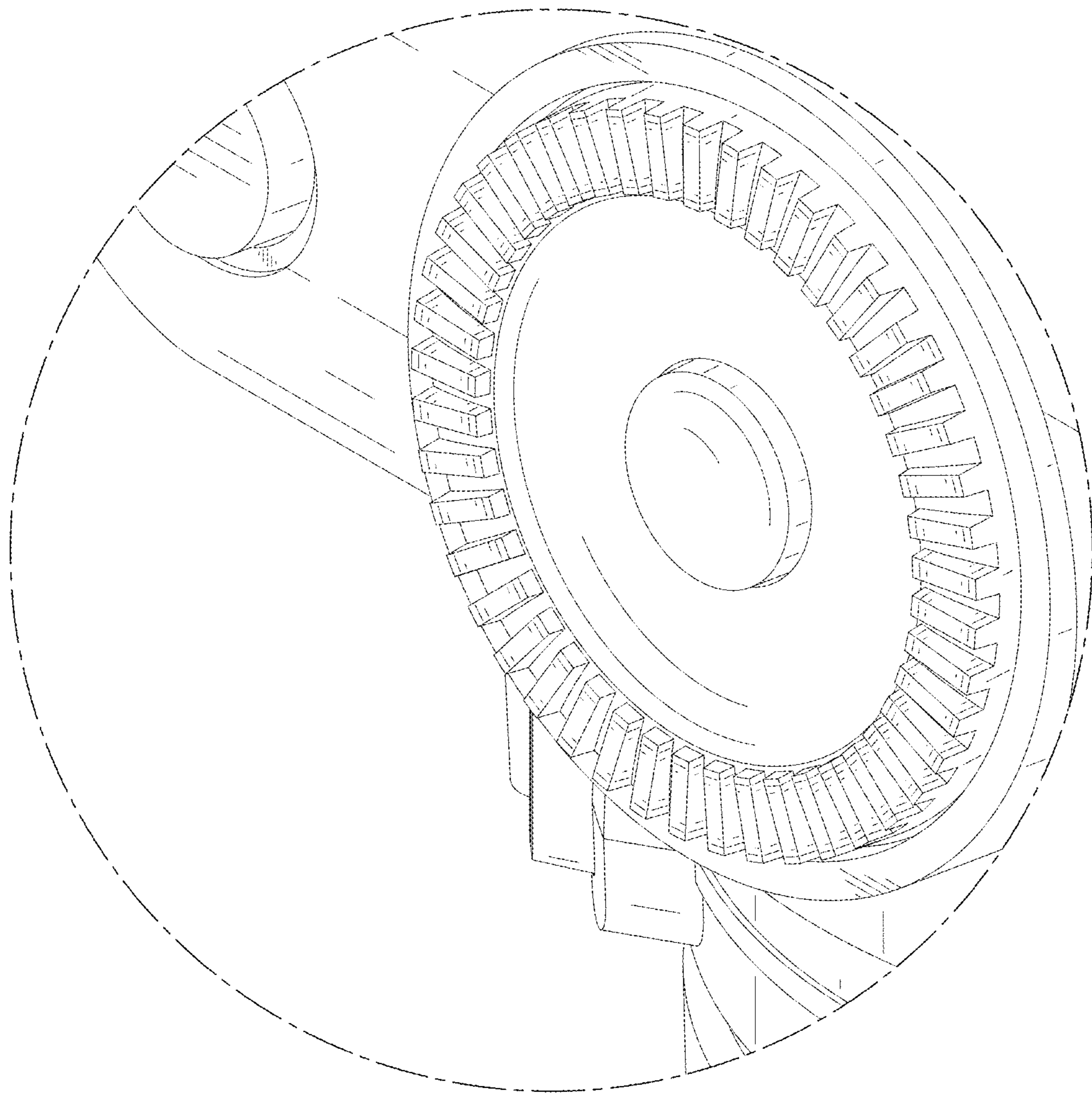


FIG. 9

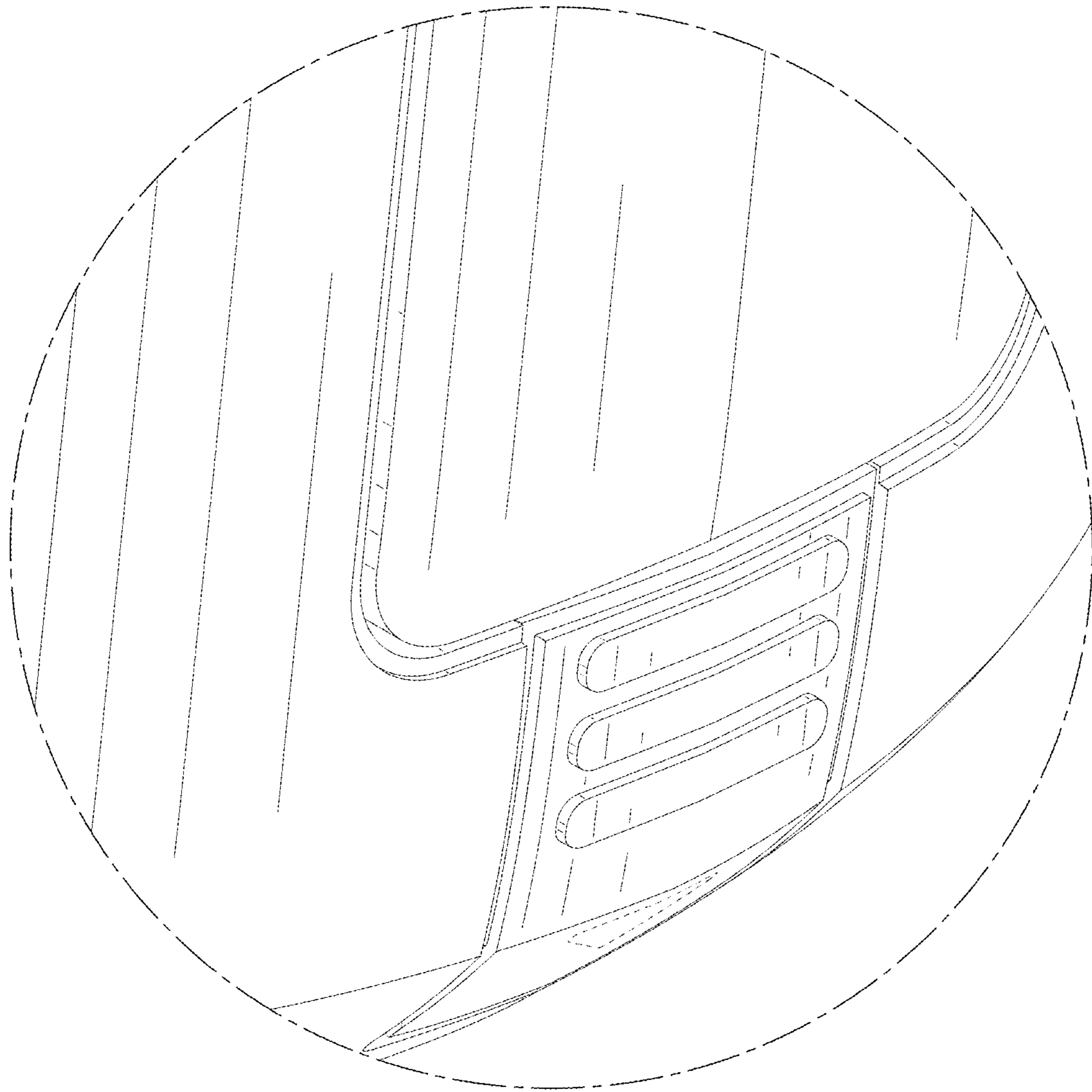


FIG. 10

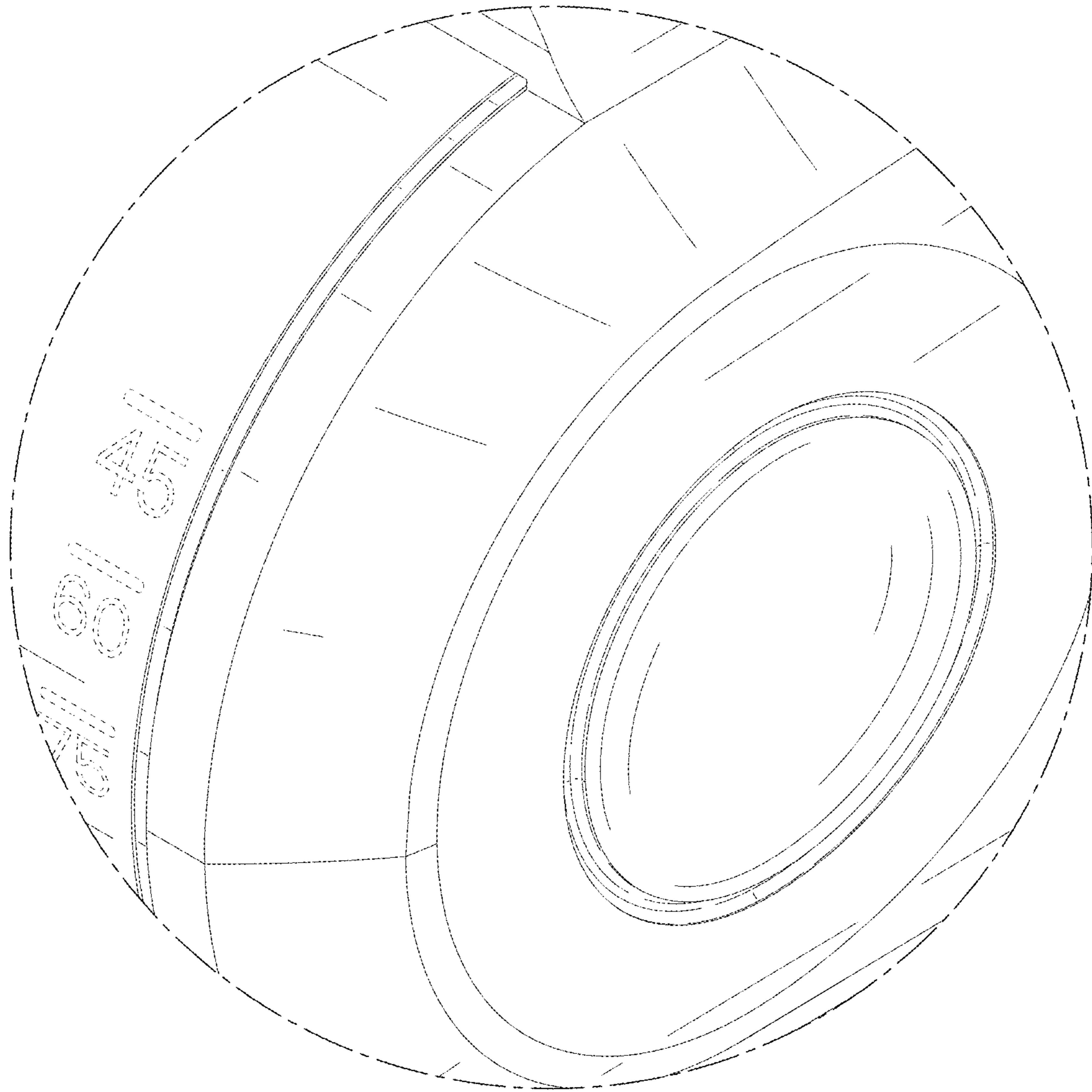


FIG. 11

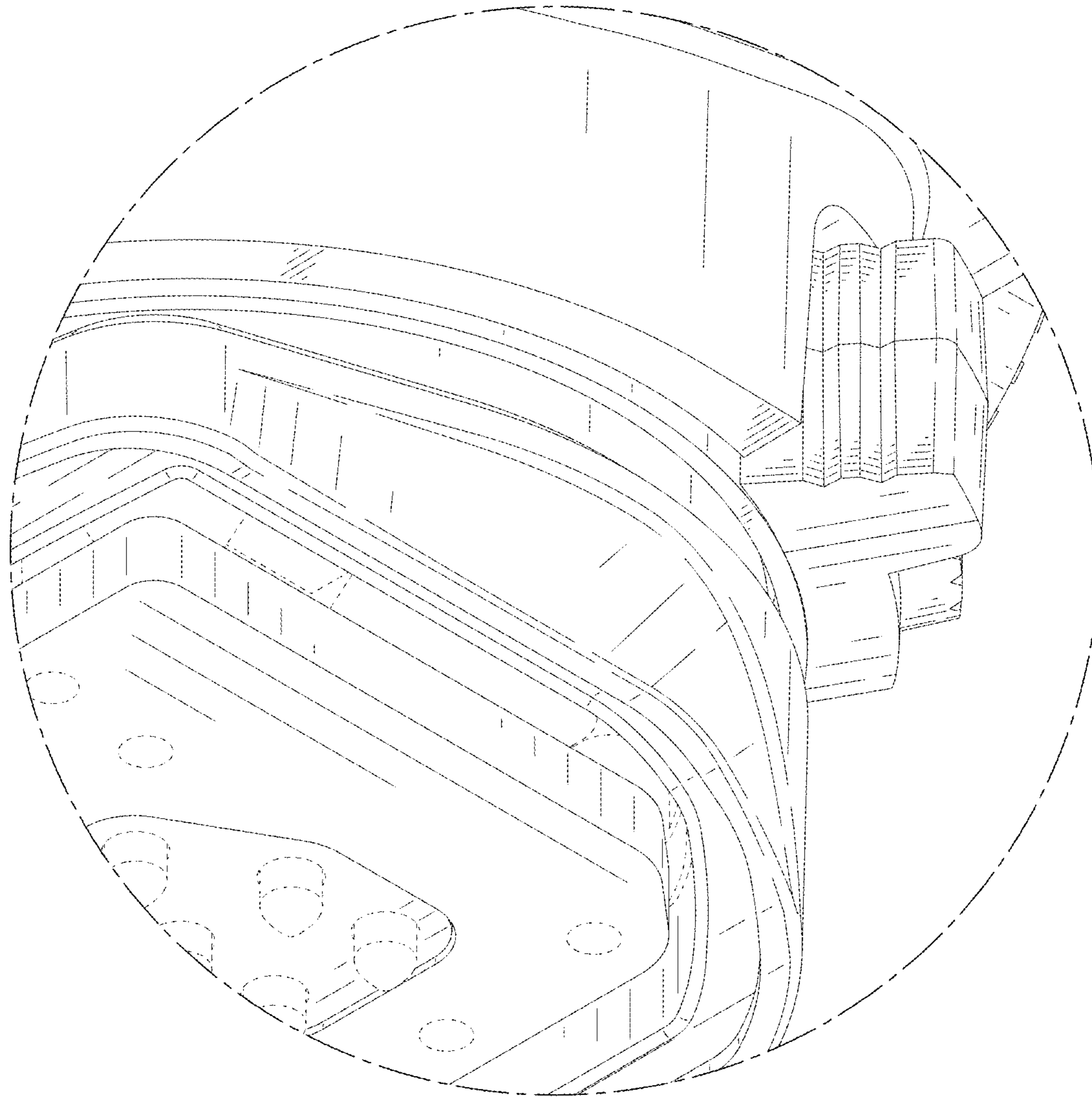


FIG. 12