



US00D983250S

(12) **United States Design Patent** (10) **Patent No.:** **US D983,250 S**  
**Yang et al.** (45) **Date of Patent:** **\*\* Apr. 11, 2023**

(54) **PROJECTOR**

(71) Applicant: **SHENZHEN VANTOP TECHNOLOGY & INNOVATION CO., LTD.**, Shenzhen (CN)

(72) Inventors: **Cui Yang**, Shenzhen (CN); **Xianmiao Luo**, Shenzhen (CN); **Xiaoqing Wu**, Shenzhen (CN); **Ming Wang**, Shenzhen (CN)

(73) Assignee: **SHENZHEN VANTOP TECHNOLOGY & INNOVATION CO., LTD.**, Shenzhen (CN)

(\*\*) Term: **15 Years**

(21) Appl. No.: **29/882,342**

(22) Filed: **Jan. 13, 2023**

(51) **LOC (14) Cl.** ..... **16-02**

(52) **U.S. Cl.**  
USPC ..... **D16/230**

(58) **Field of Classification Search**  
USPC ..... D16/100–101, 130, 134, 200, 202, 204, D16/208–209, 216–220, 230, 237, 242, D16/245, 248, 250, 300, 301, 304, 313, D16/334  
CPC ..... F21V 19/02; F21V 17/00; G03B 17/54; G03B 19/18; G03B 29/00; G03B 21/00; G03B 21/05; G03B 21/21; G03B 21/43; G03B 21/321; G03B 21/323; G03B 21/2046; G03B 1/18; G03B 1/56; G03B 23/044; G03B 21/2066; G02B 13/04; G02B 13/22; H01J 61/025; H01J 61/523; H01J 61/526; H04N 9/3144  
See application file for complete search history.

(56) **References Cited**

**U.S. PATENT DOCUMENTS**

- D513,030 S \* 12/2005 Schoenert ..... D16/221
- D514,611 S \* 2/2006 Schoenert ..... D16/221
- D722,099 S \* 2/2015 Lee ..... D16/230

(Continued)

*Primary Examiner* — Mary Shannon Malley  
*Assistant Examiner* — Christopher John Suarez La Rosa  
(74) *Attorney, Agent, or Firm* — Daniel M. Cohn; Howard M. Cohn

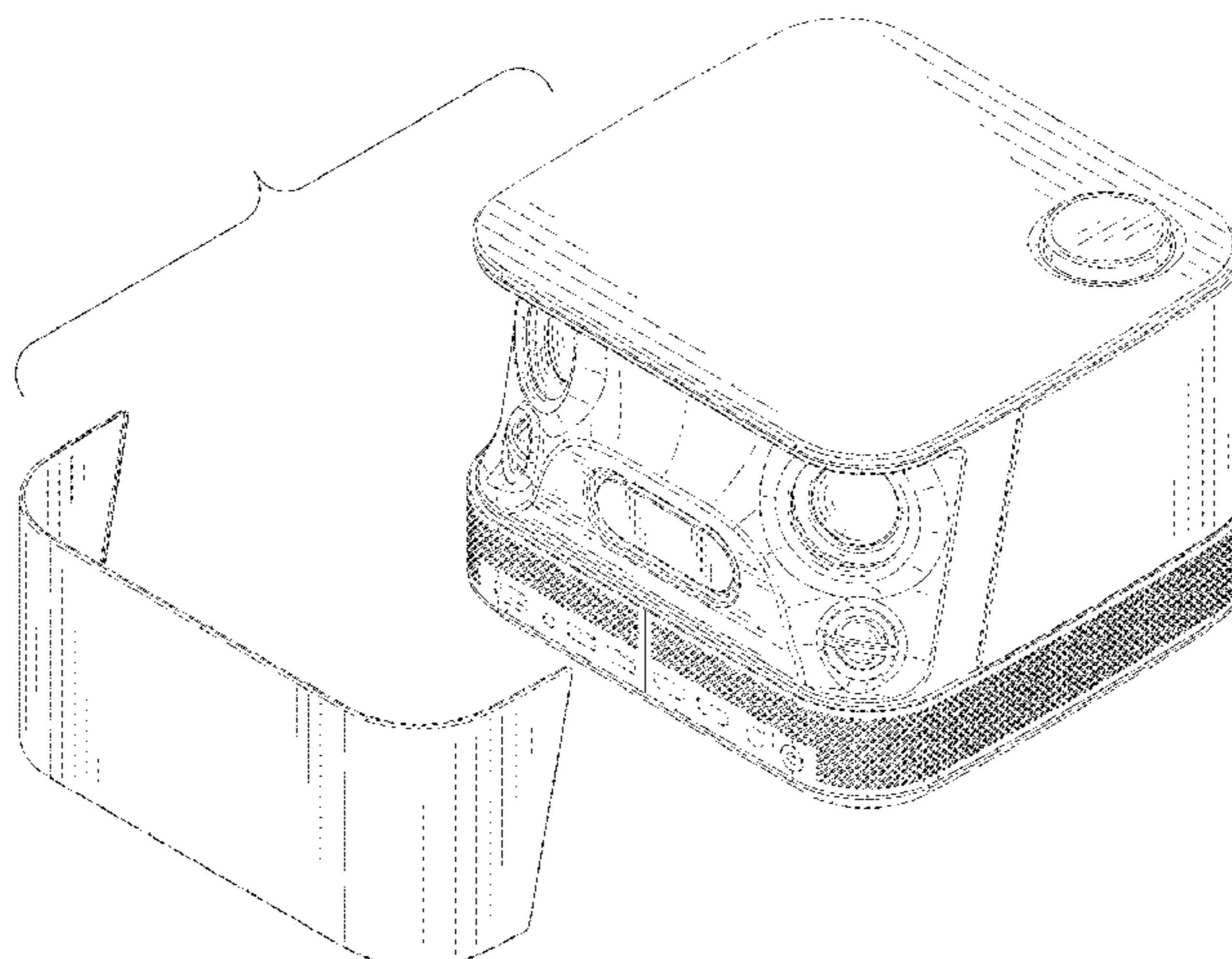
(57) **CLAIM**

The ornamental design for a projector, as shown and described.

**DESCRIPTION**

FIG. 1 is a perspective view of a projector showing our new design;  
FIG. 2 is another perspective view thereof;  
FIG. 3 is a front elevational view thereof;  
FIG. 4 is a rear elevational view thereof;  
FIG. 5 is a left side elevational view thereof;  
FIG. 6 is a right side elevational view thereof;  
FIG. 7 is a top plan view thereof;  
FIG. 8 is a bottom plan view thereof;  
FIG. 9 is an enlarged view of portion 9 shown in FIG. 1;  
FIG. 10 is an exploded perspective view of the projector;  
FIG. 11 is a perspective view of the projector where the front cover of the projector is removed;  
FIG. 12 is another perspective view thereof;  
FIG. 13 is a front elevational view thereof;  
FIG. 14 is a rear elevational view thereof;  
FIG. 15 is a left side elevational view thereof;  
FIG. 16 is a right side elevational view thereof;  
FIG. 17 is a top plan view thereof;  
FIG. 18 is a bottom plan view thereof; and,  
FIG. 19 is an enlarged view of portion 19 shown in FIG. 11. The dash-dash broken lines in the drawings depict portions of the projector that form no part of the claimed design. The dot-dash broken lines represent boundaries of the enlarged portions and form no part of the claimed design.

**1 Claim, 19 Drawing Sheets**



(56)

**References Cited**

U.S. PATENT DOCUMENTS

D768,227	S	*	10/2016	Lee	.....	D16/230
D776,744	S	*	1/2017	Park	.....	D16/230
D817,381	S	*	5/2018	Zhong	.....	D16/230
D835,173	S	*	12/2018	Gui	.....	D16/230
D838,354	S	*	1/2019	Farone	.....	D23/364
D886,890	S		6/2020	Liang		
D903,744	S		12/2020	Gao		
D933,117	S	*	10/2021	Li	.....	D16/234
D957,505	S	*	7/2022	Peng	.....	D16/230
D965,667	S	*	10/2022	Li	.....	D16/234
D968,675	S	*	11/2022	Shen	.....	D26/104
2006/0044513	A1	*	3/2006	Sakurai	.....	H04N 9/3144 353/20

\* cited by examiner

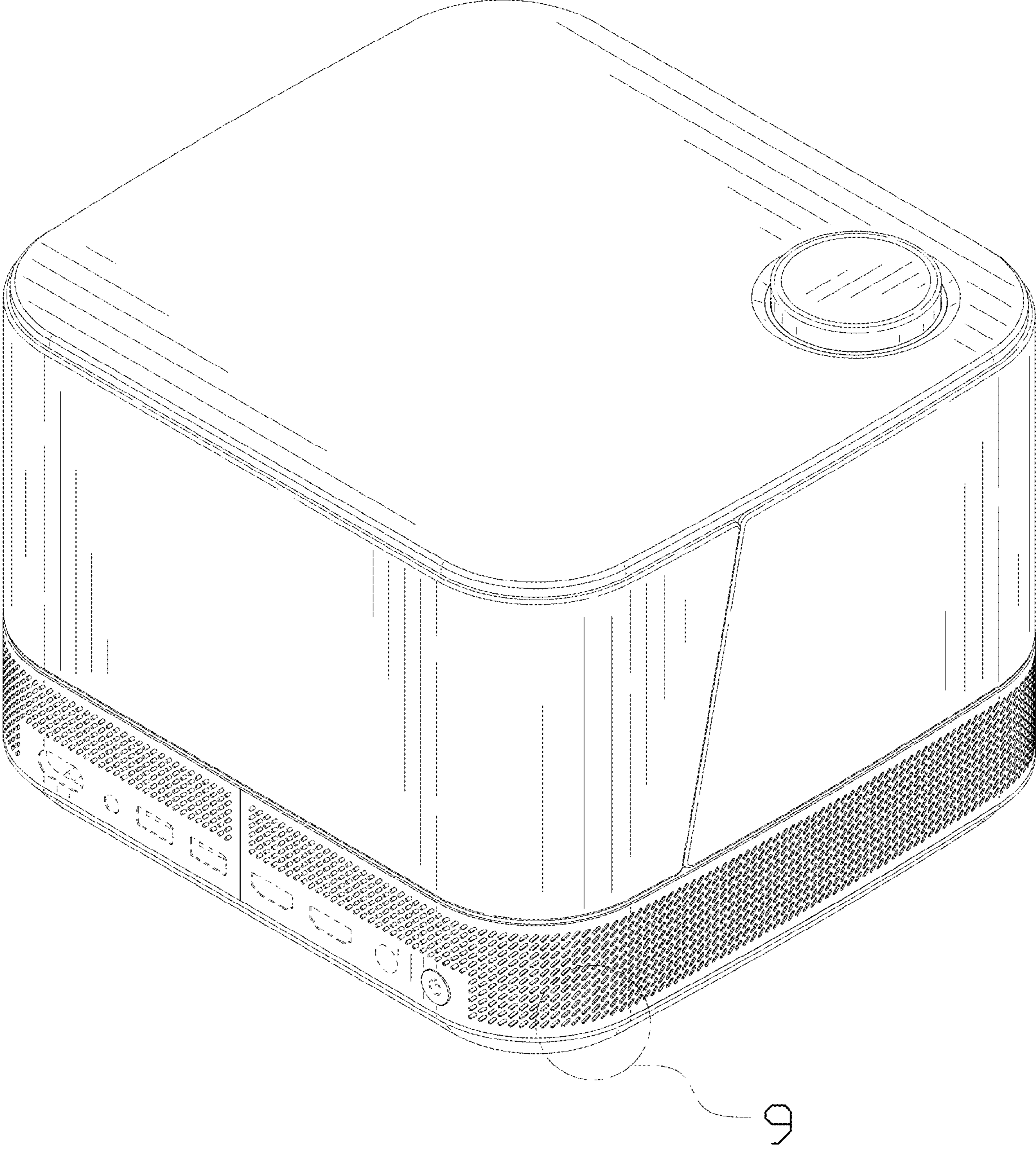


FIG. 1

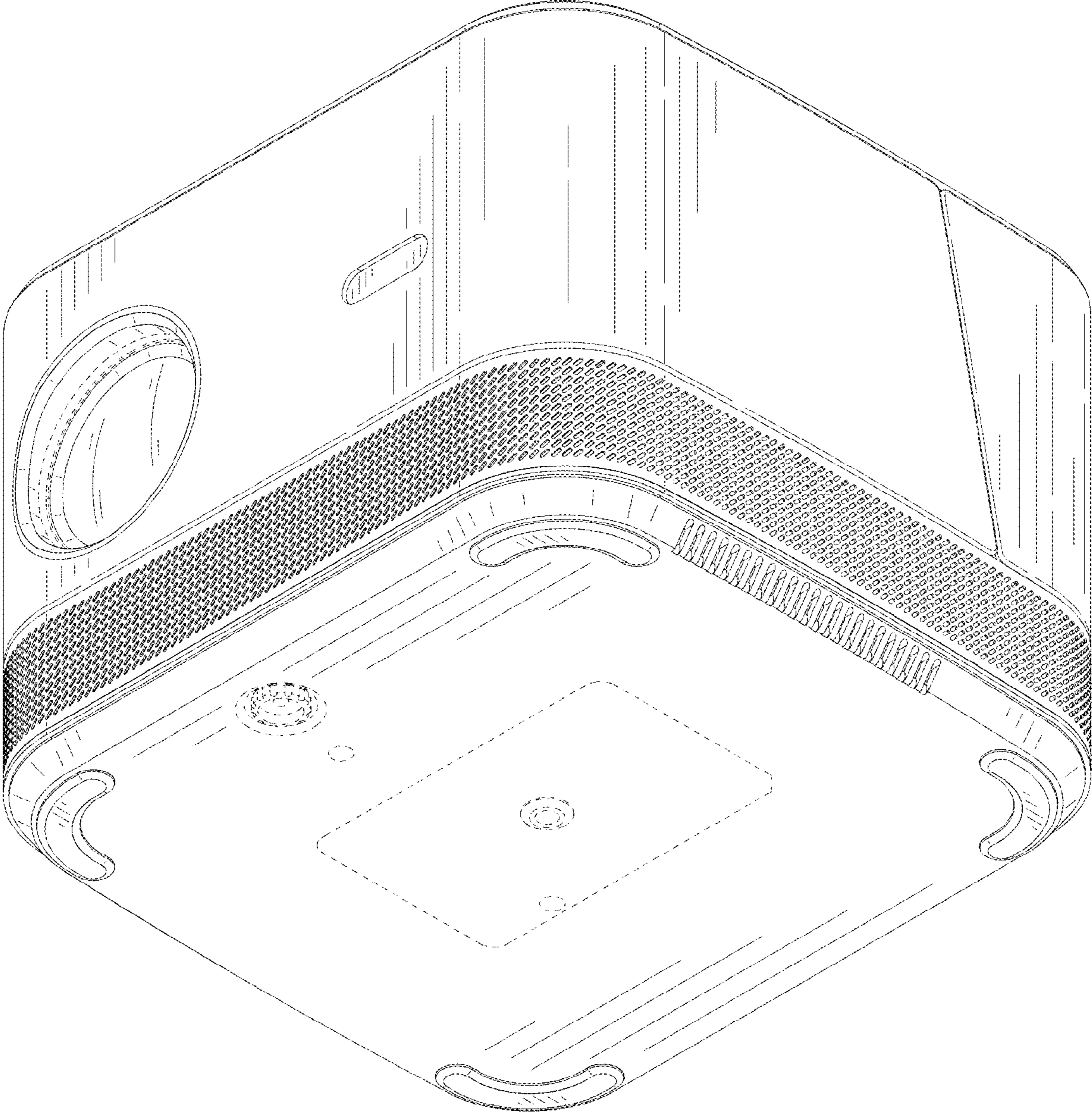


FIG. 2

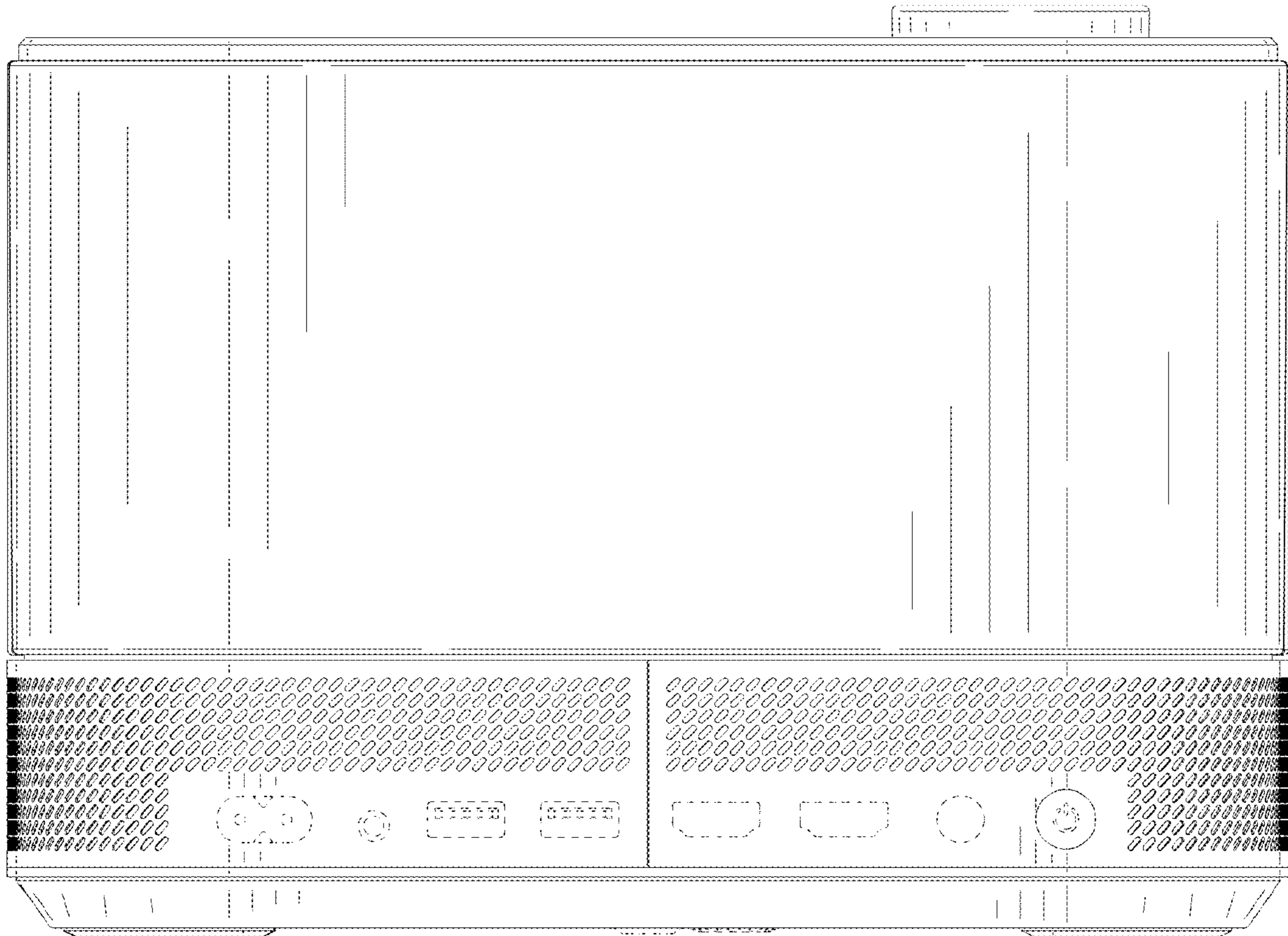


FIG. 3

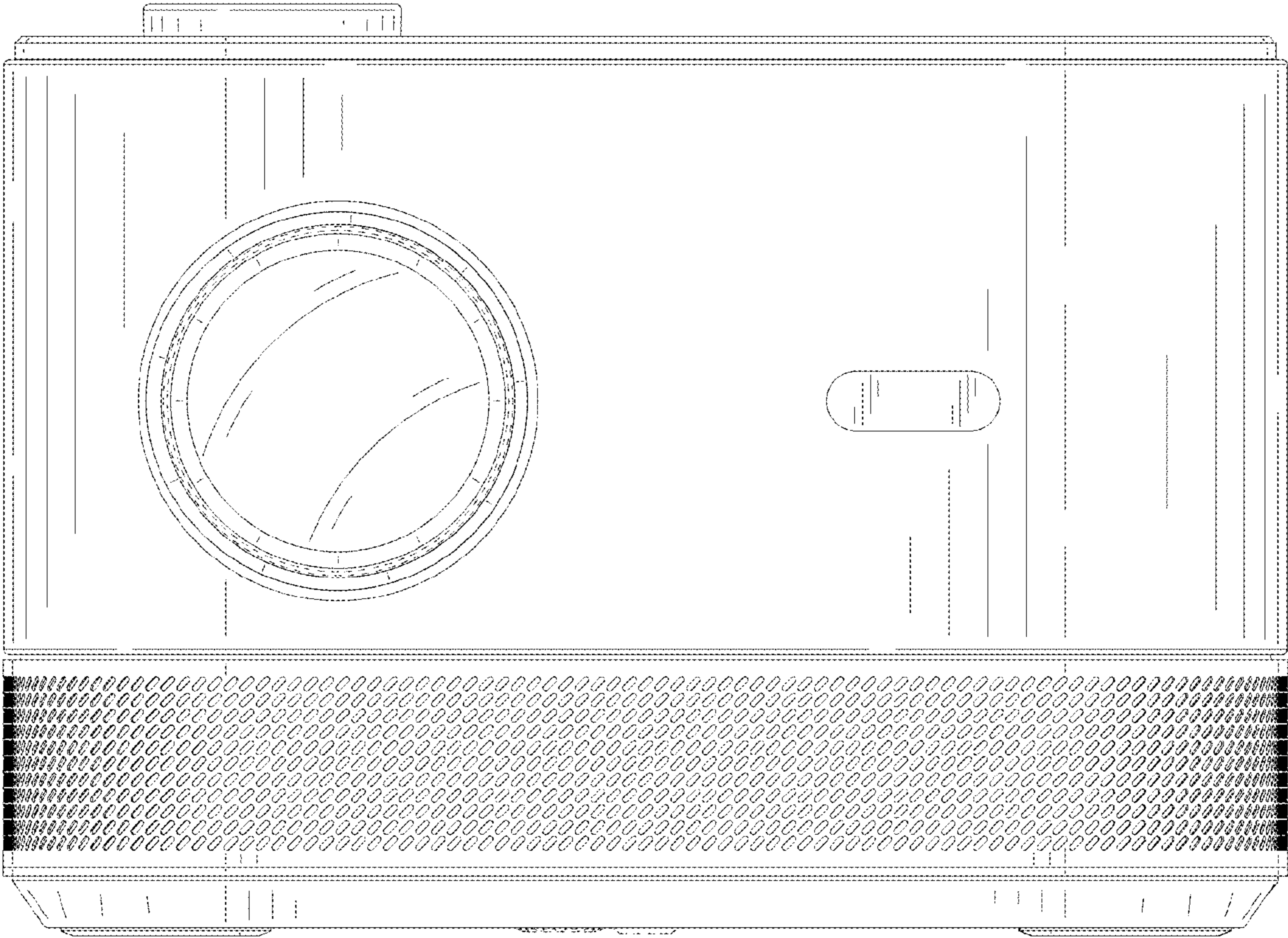


FIG. 4

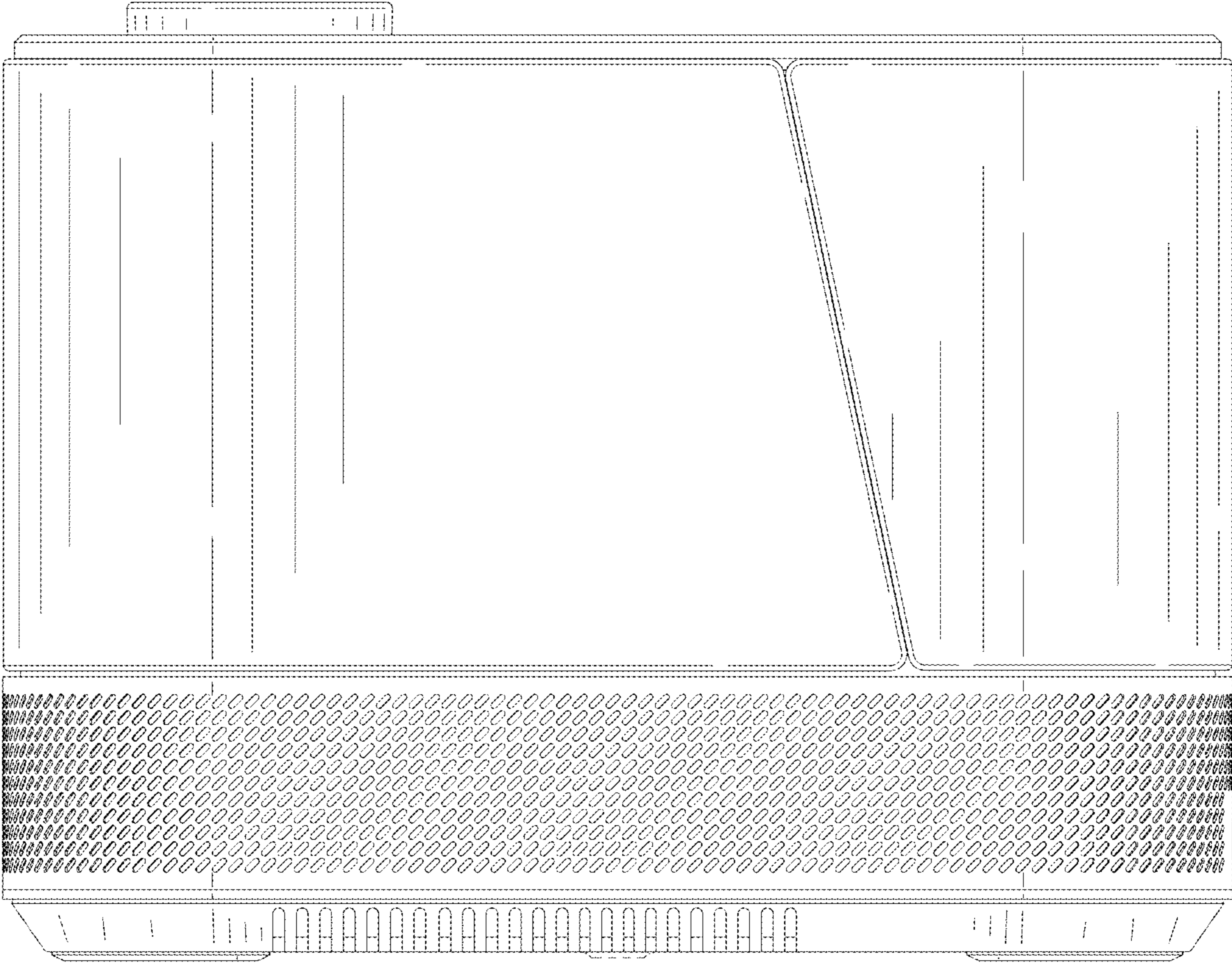


FIG. 5

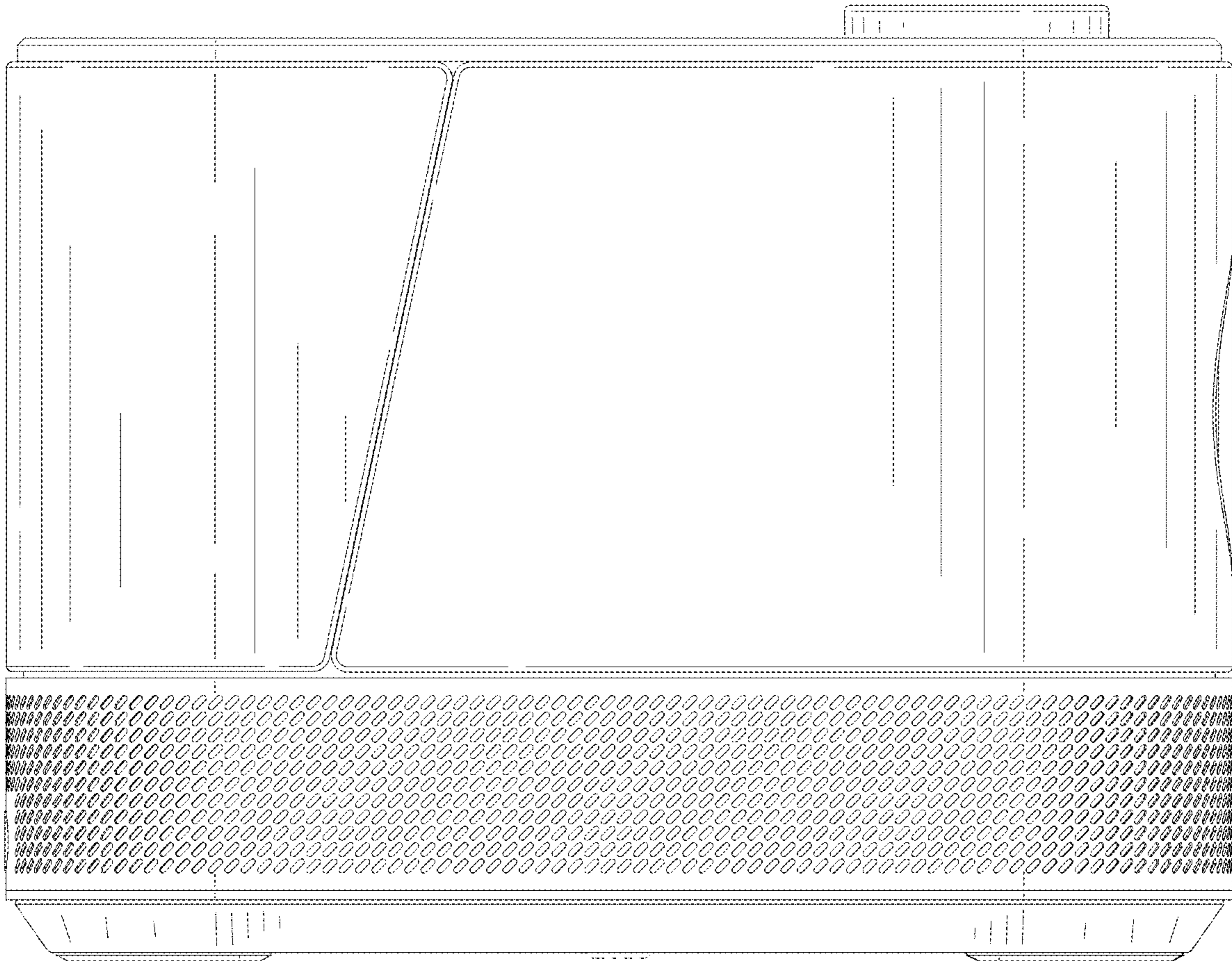


FIG. 6



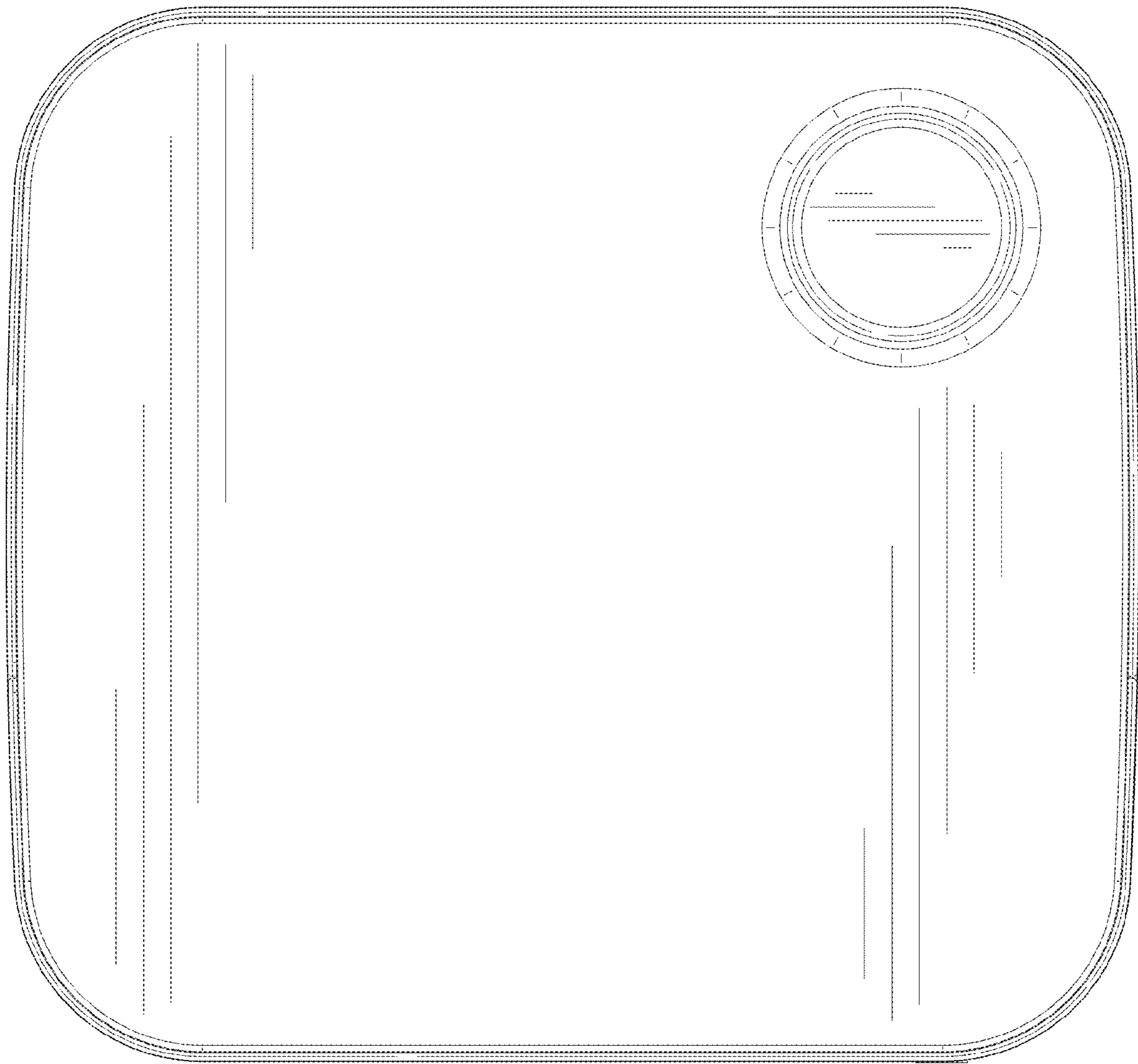


FIG. 7

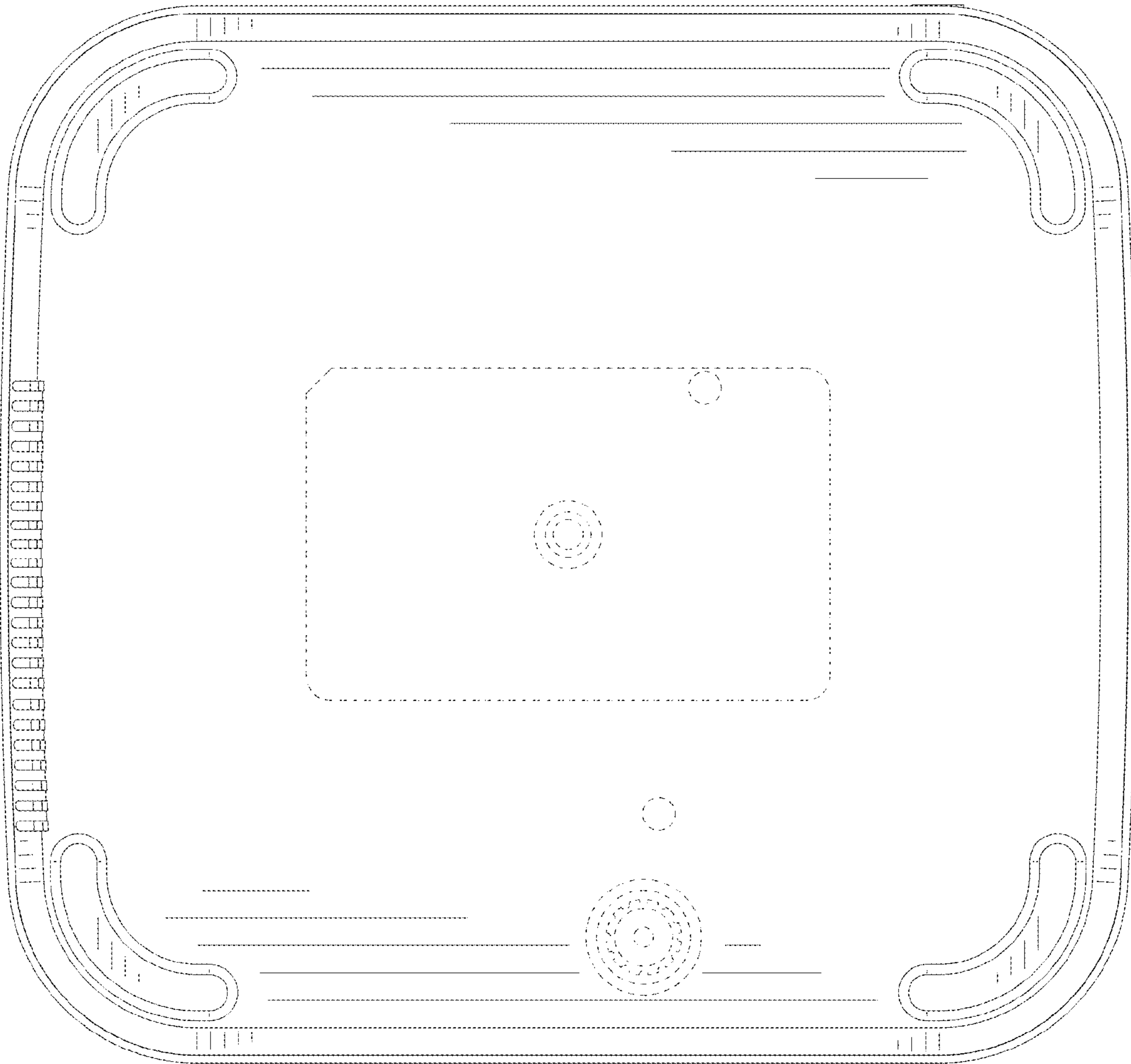


FIG. 8

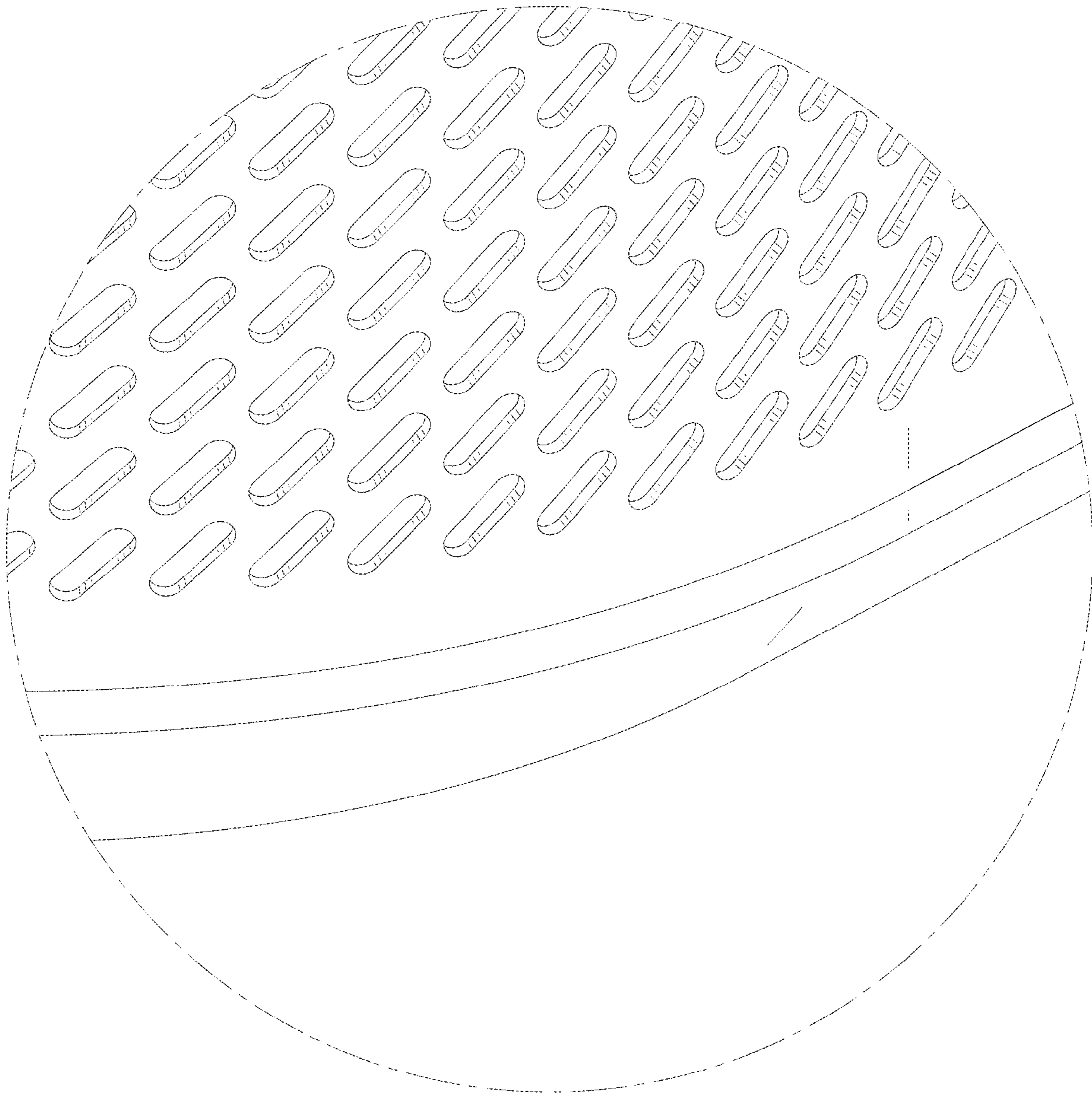


FIG. 9

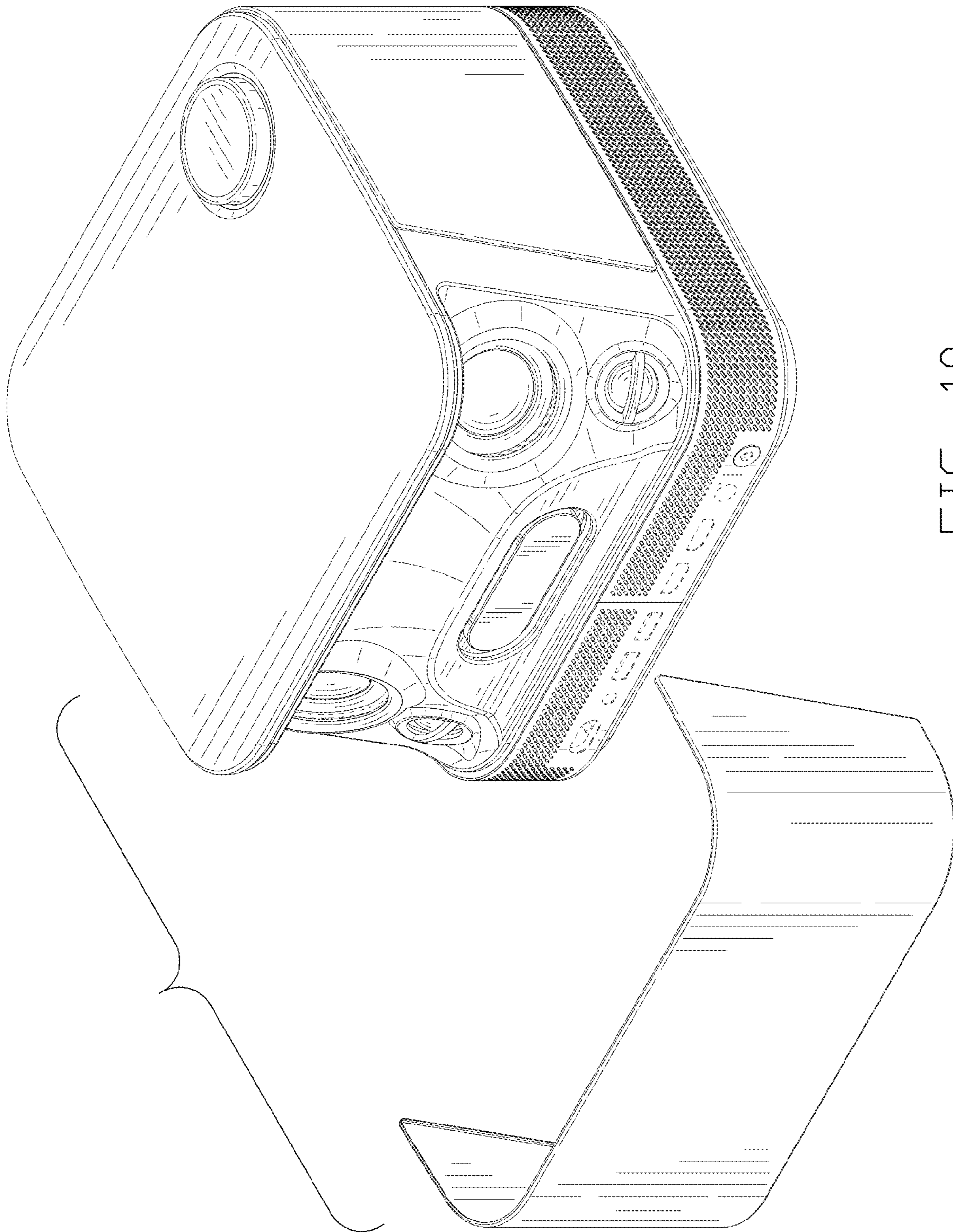


FIG. 10

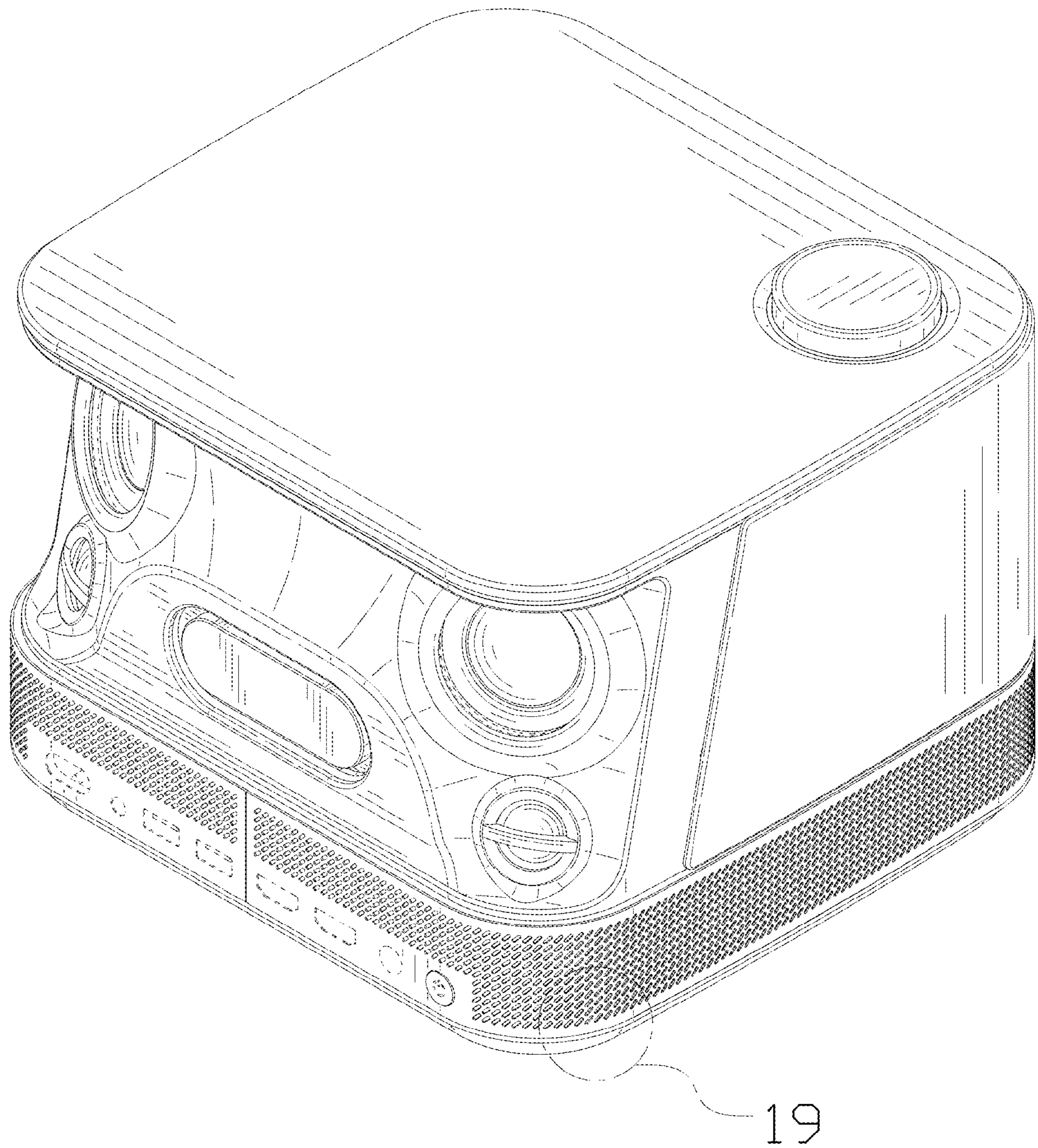


FIG. 11

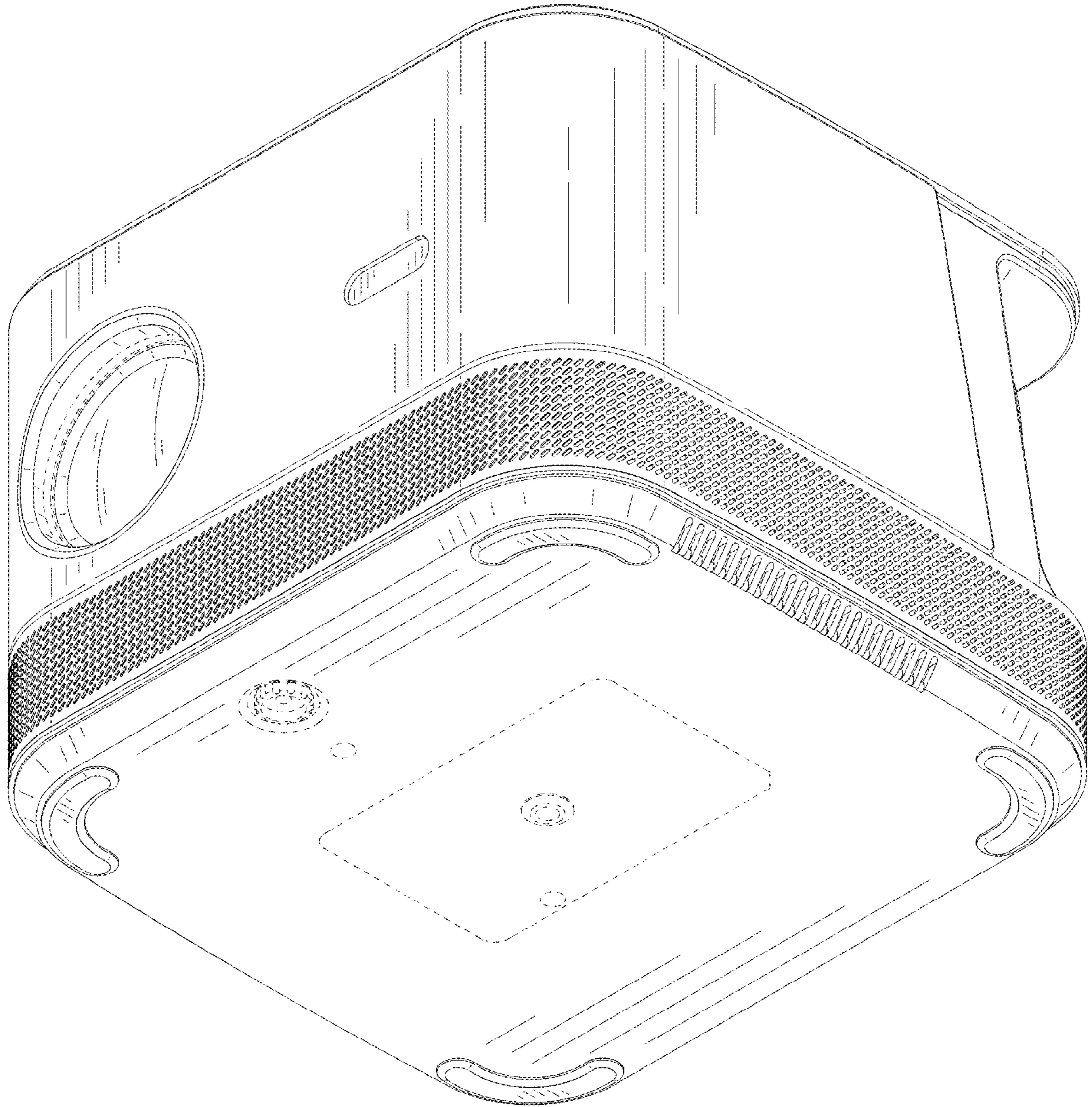


FIG. 12

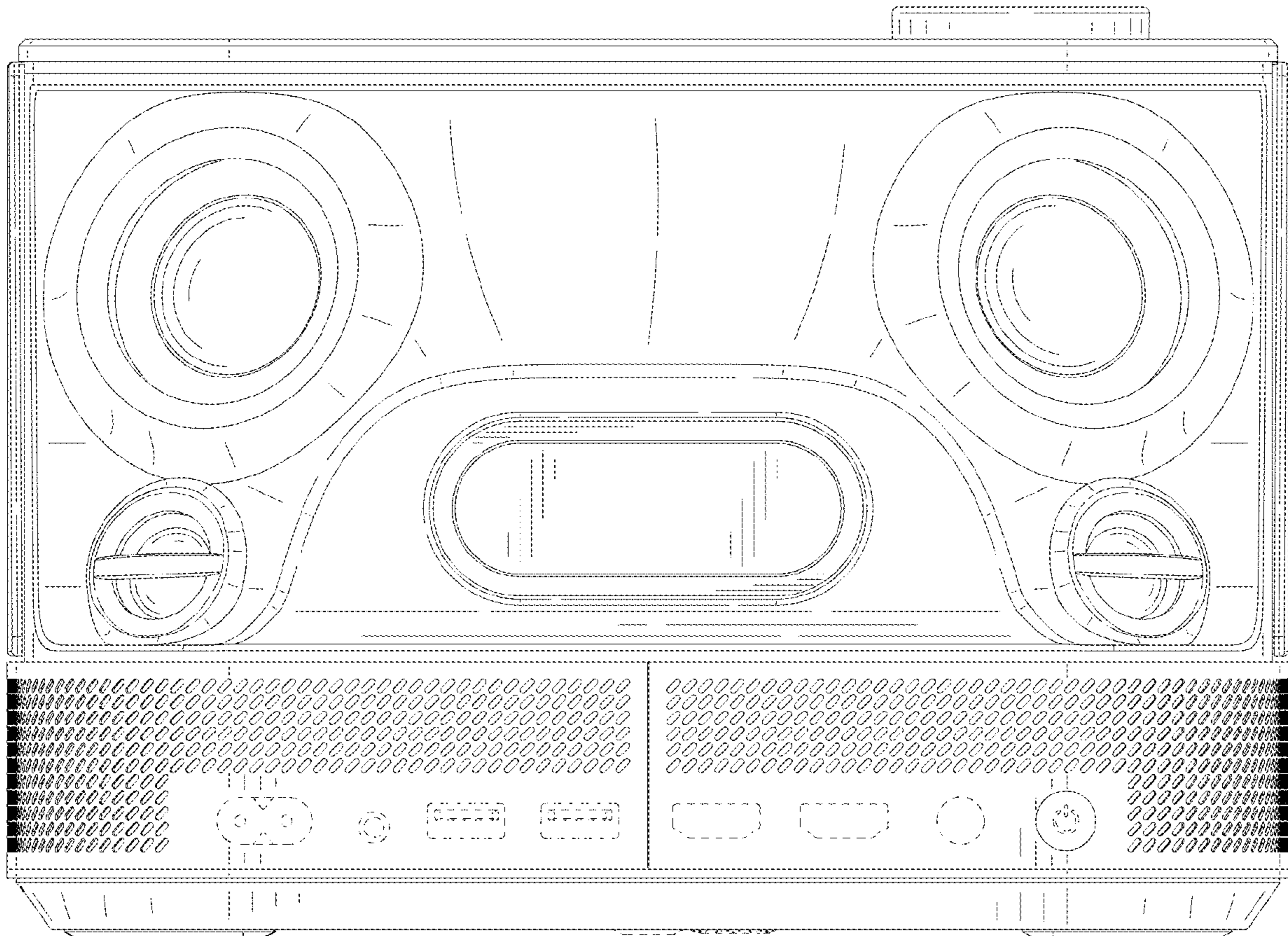


FIG. 13

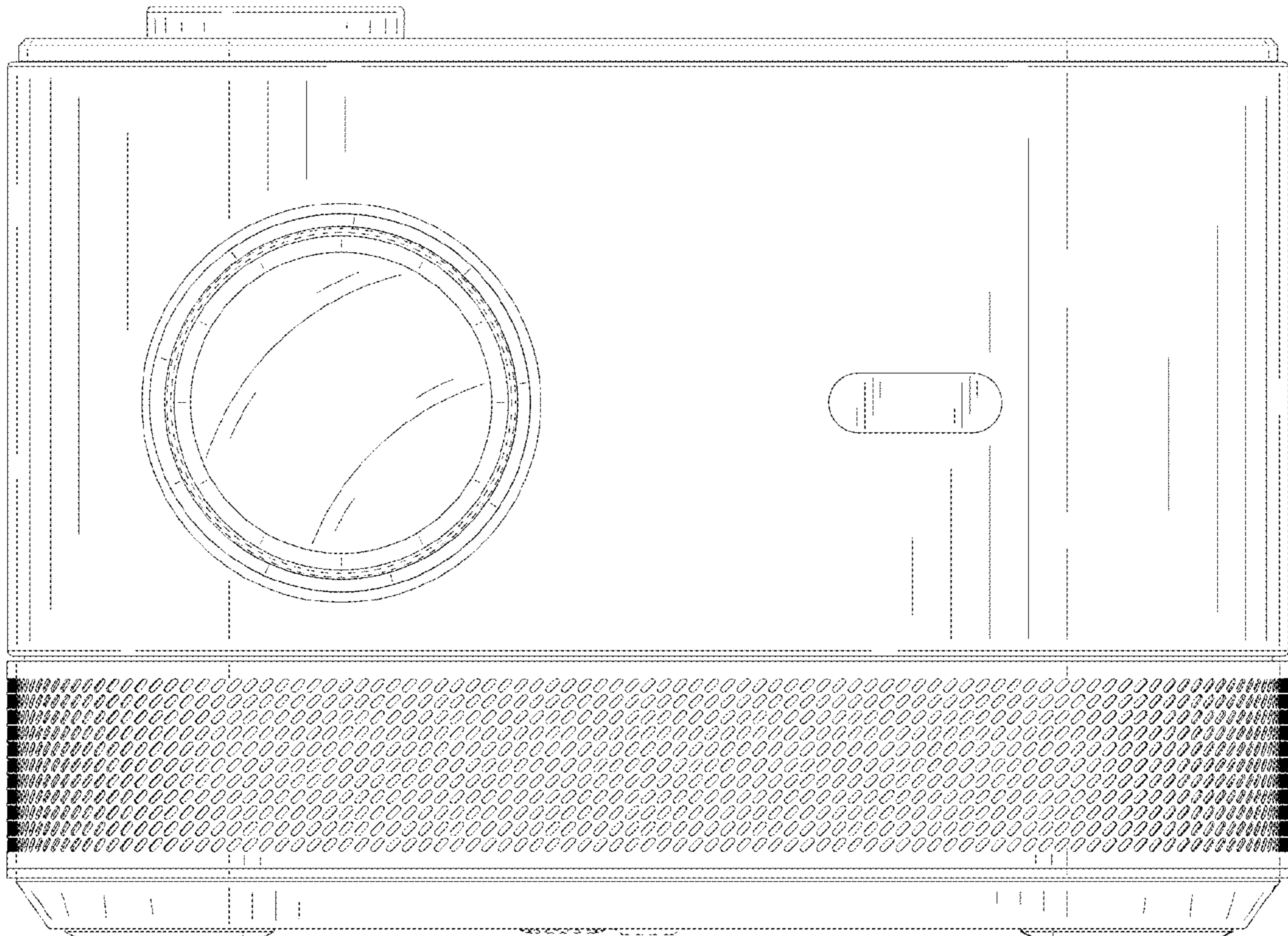


FIG. 14



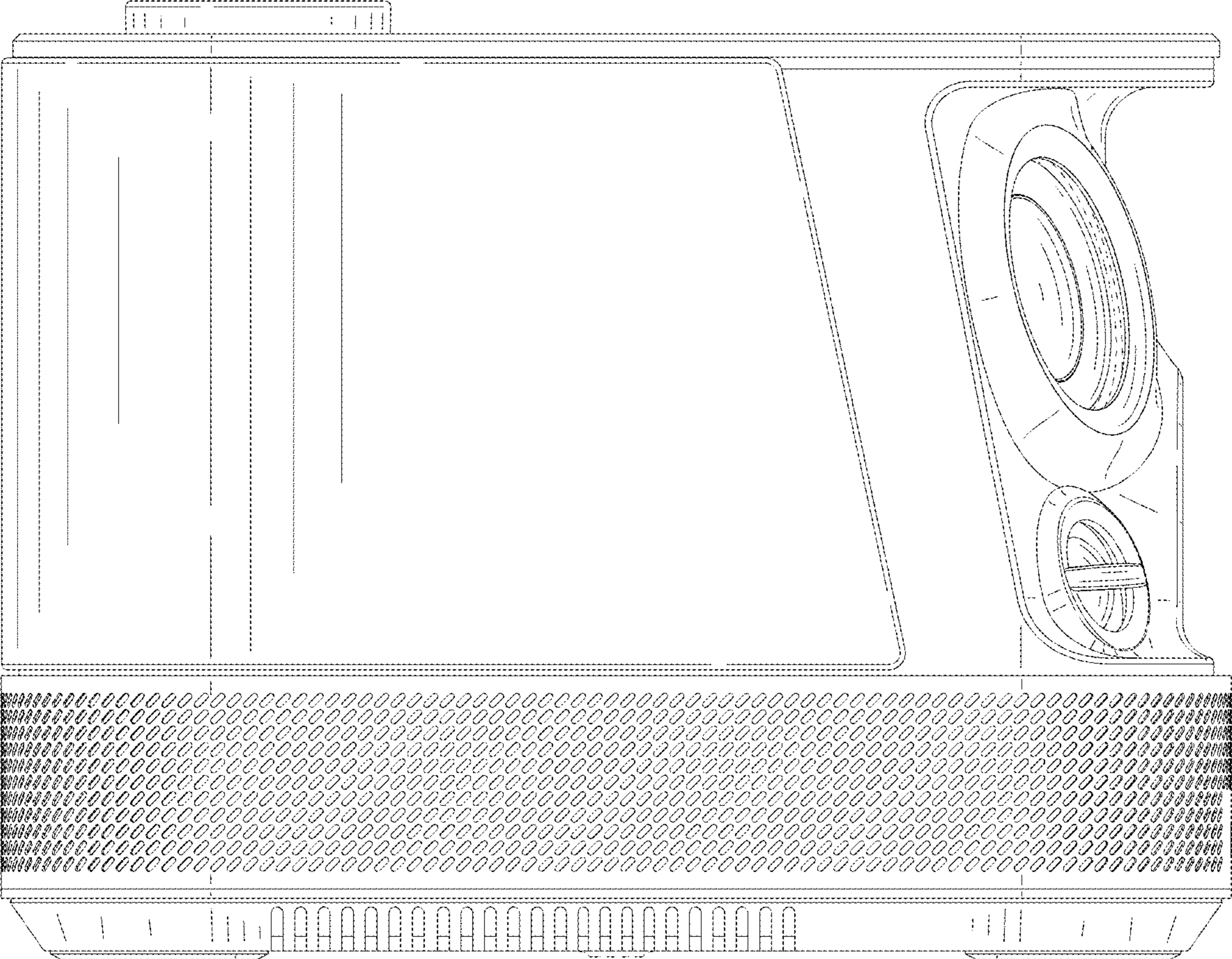


FIG. 15

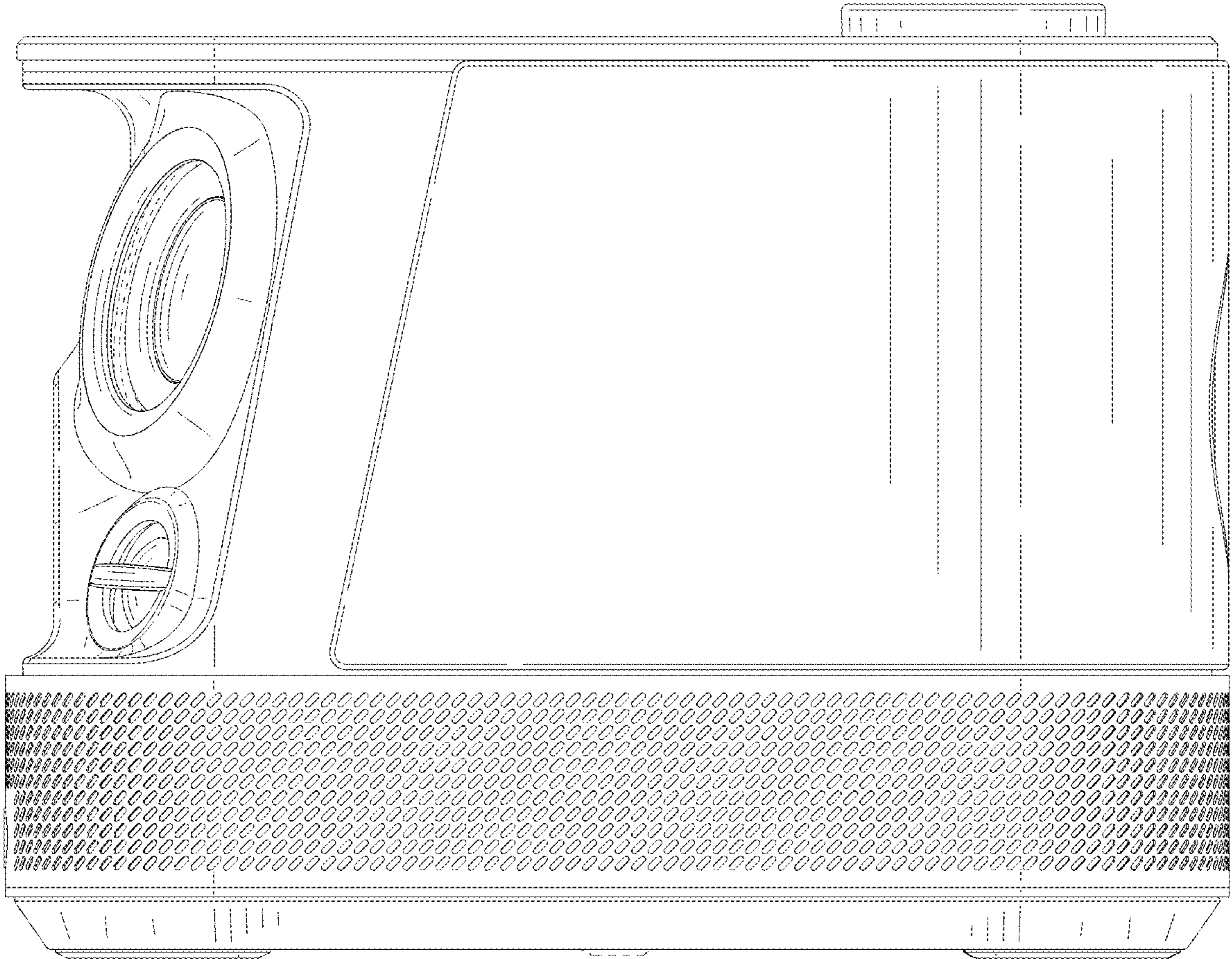


FIG. 16

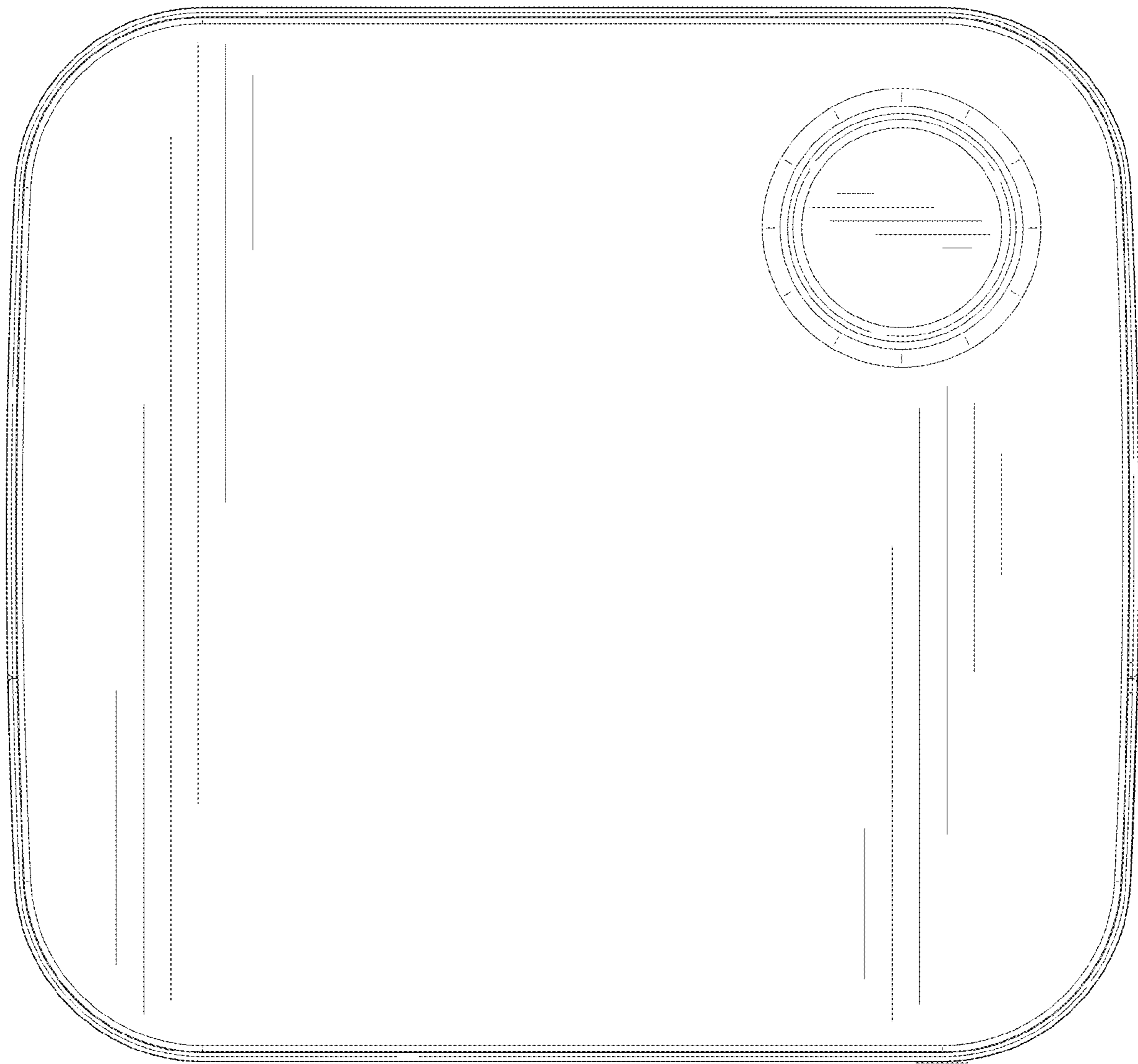


FIG. 17

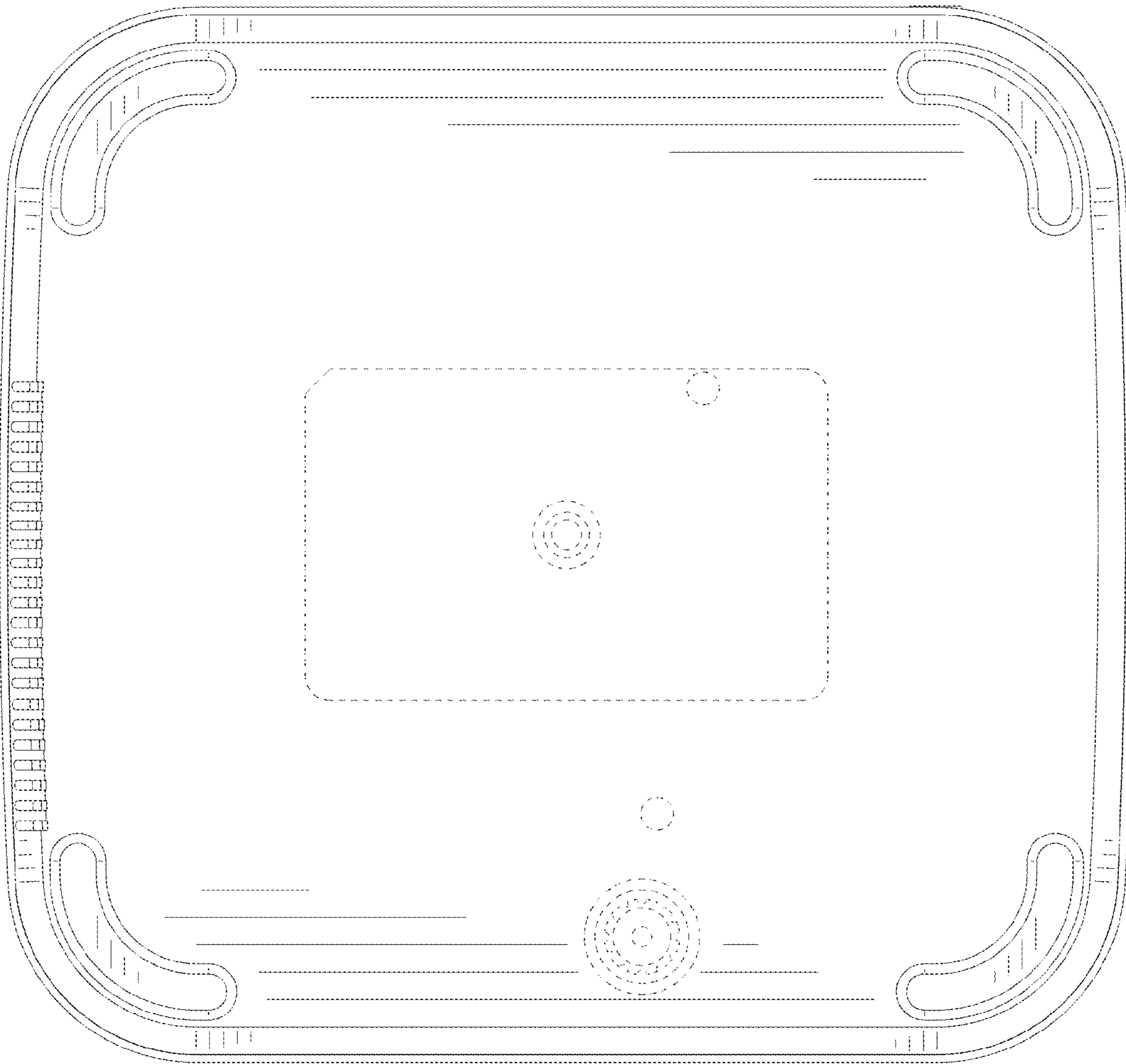


FIG. 18

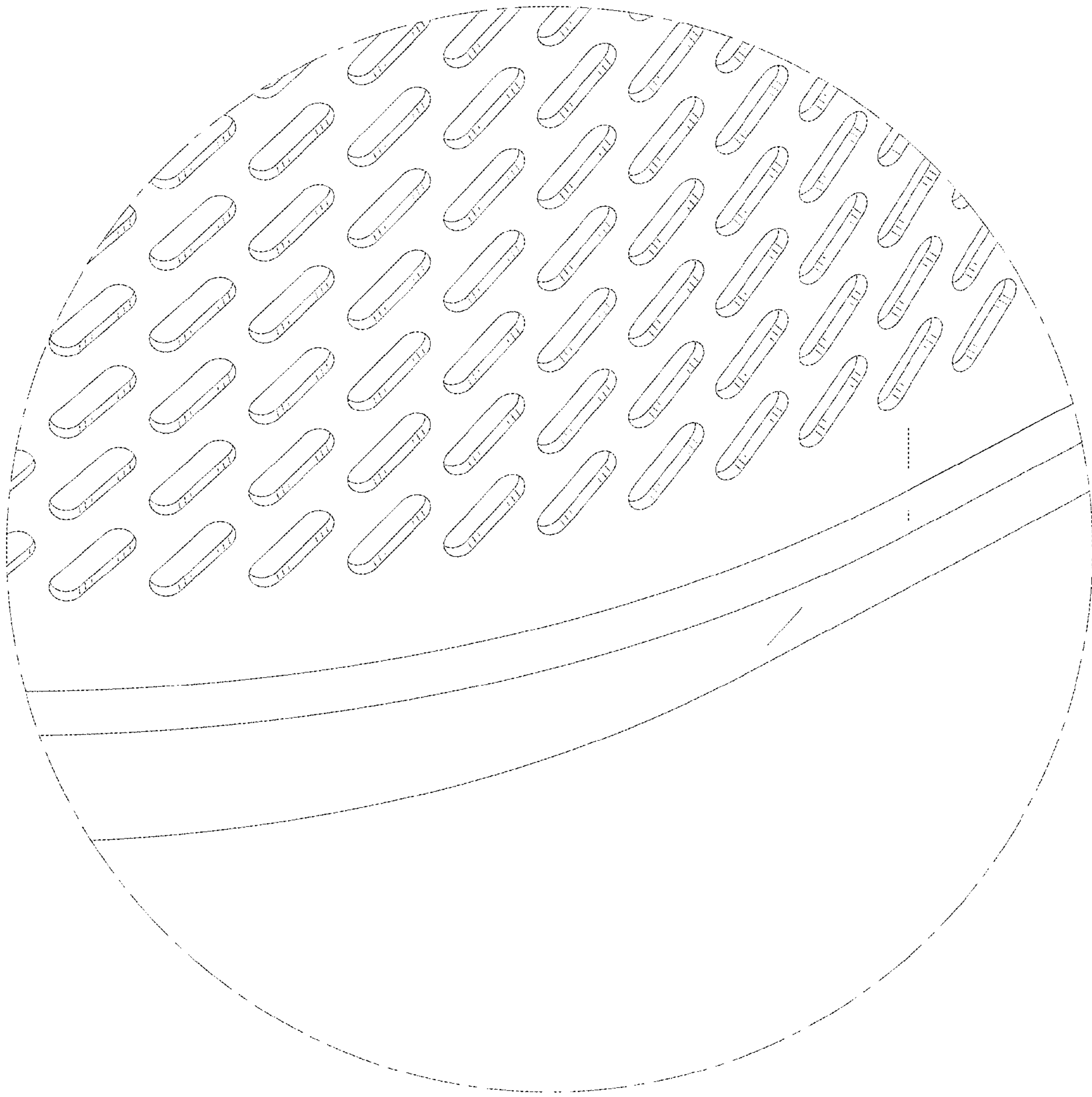


FIG. 19