



US00D983247S

(12) **United States Design Patent**
Zhang

(10) **Patent No.:** **US D983,247 S**

(45) **Date of Patent:** **** Apr. 11, 2023**

(54) **DASHBOARD CAMERA**

(71) Applicant: **Ruichang Zhang Xiaoyan Trading Co., Ltd., Jiangxi (CN)**

(72) Inventor: **Xiaoyan Zhang, Jiangxi (CN)**

(73) Assignee: **Ruichang Zhang Xiaoyan Trading Co., Ltd., Ruichang (CN)**

(**) Term: **15 Years**

(21) Appl. No.: **29/854,430**

(22) Filed: **Sep. 23, 2022**

(51) **LOC (14) Cl.** **16-01**

(52) **U.S. Cl.**
USPC **D16/208; D16/202**

(58) **Field of Classification Search**
USPC D16/200, 202–208, 218, 219, 242
CPC G03B 17/02; G03B 19/04; G03B 17/56;
G03B 17/04; G03B 15/03; H04N 5/2251;
H04N 5/2252; H04N 5/2253; H04N
5/2254; H04N 7/181; H04N 7/183; H04N
7/18

See application file for complete search history.

(56) **References Cited**

U.S. PATENT DOCUMENTS

D366,271 S *	1/1996	Hasegawa	D16/203
D388,804 S *	1/1998	Swayze	D16/202
D524,347 S *	7/2006	Takahashi	D16/202
D540,360 S *	4/2007	Yamakawa	D16/203
D613,784 S *	4/2010	Wang	D16/203
D618,717 S *	6/2010	Frank	D16/203

D633,543 S *	3/2011	Park	D16/203
D732,100 S *	6/2015	Jeong	D16/203
D732,597 S *	6/2015	Celler	D16/203
D739,888 S *	9/2015	Liang	D16/203
D768,749 S *	10/2016	Koppetz	D16/202
D782,560 S	3/2017	Li		
D809,046 S *	1/2018	Hatcher	D16/202
D861,764 S	10/2019	Zhao		
D896,295 S *	9/2020	Lee	D16/202

* cited by examiner

Primary Examiner — Ramzi Almatrahi

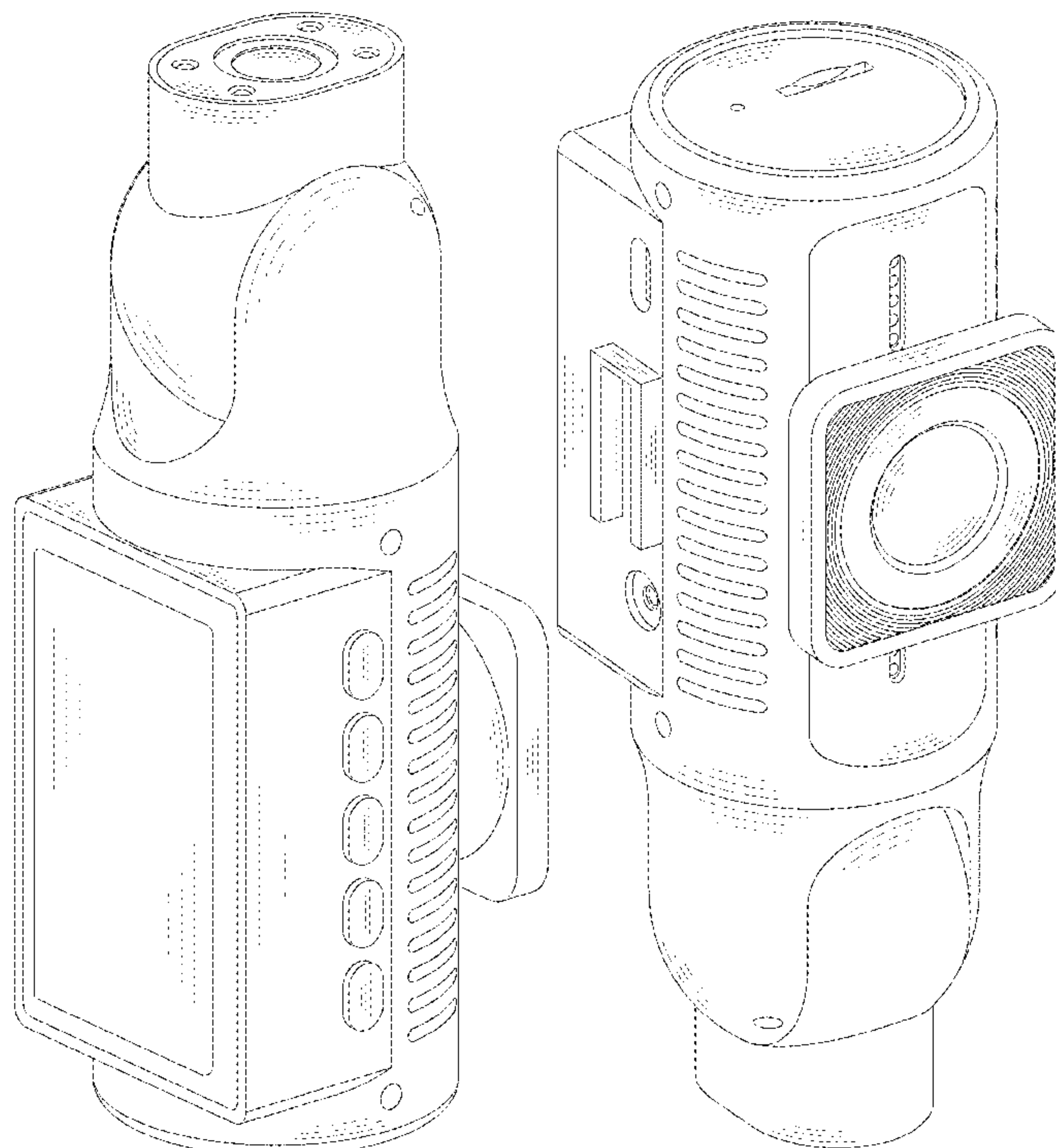
(57) **CLAIM**

The ornamental design for a dashboard camera, as shown and described.

DESCRIPTION

FIG. 1 is a top, front and right side perspective view of a dashboard camera, showing my new design;
FIG. 2 is a bottom, back and left side perspective view thereof;
FIG. 3 is a front elevational view thereof;
FIG. 4 is a back elevational view thereof;
FIG. 5 is a left side elevational view thereof;
FIG. 6 is a right side elevational view thereof;
FIG. 7 is a top plan view thereof; and,
FIG. 8 is a bottom plan view thereof.
The broken lines shown in the drawings illustrate portions of the dashboard camera that form no part of the claimed design.

1 Claim, 8 Drawing Sheets



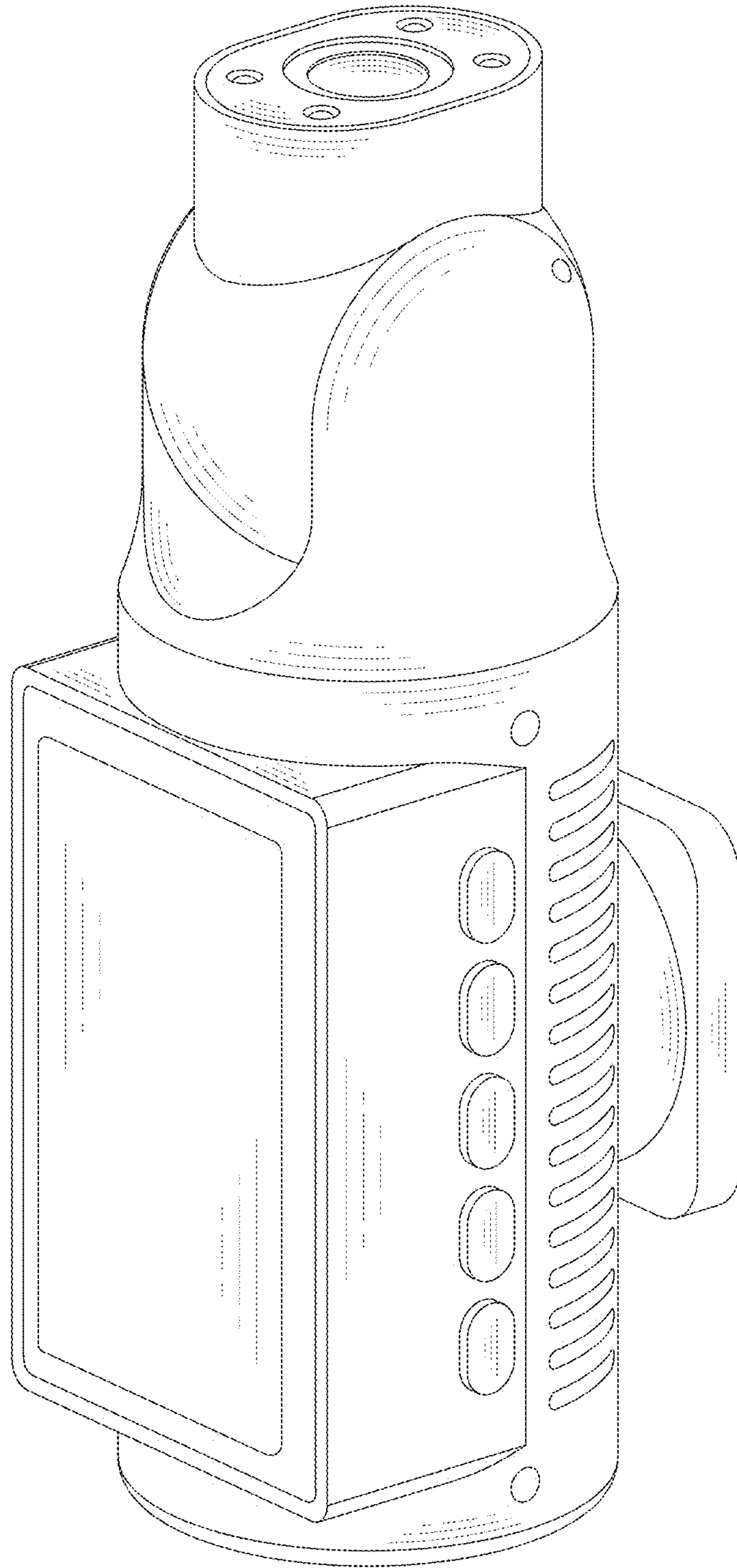


FIG. 1

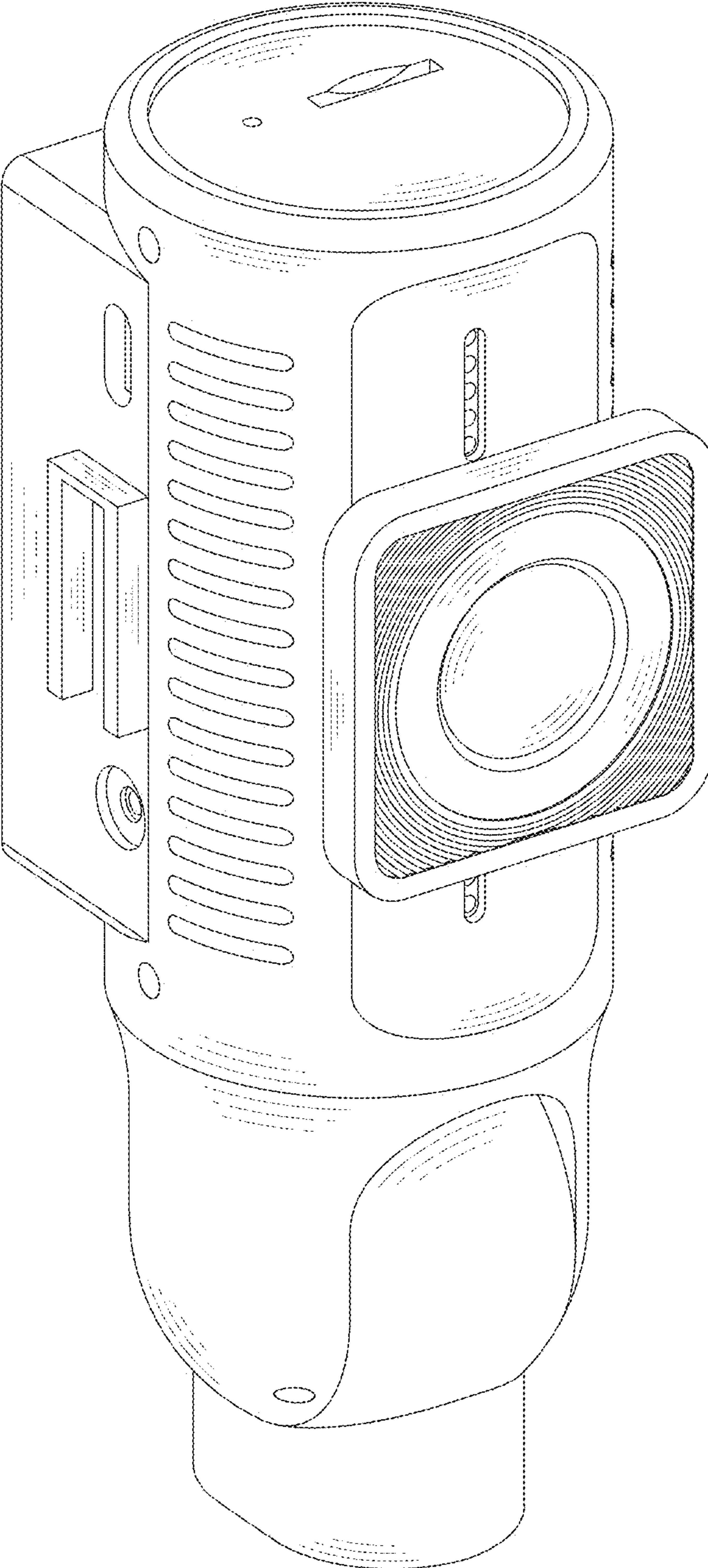


FIG. 2

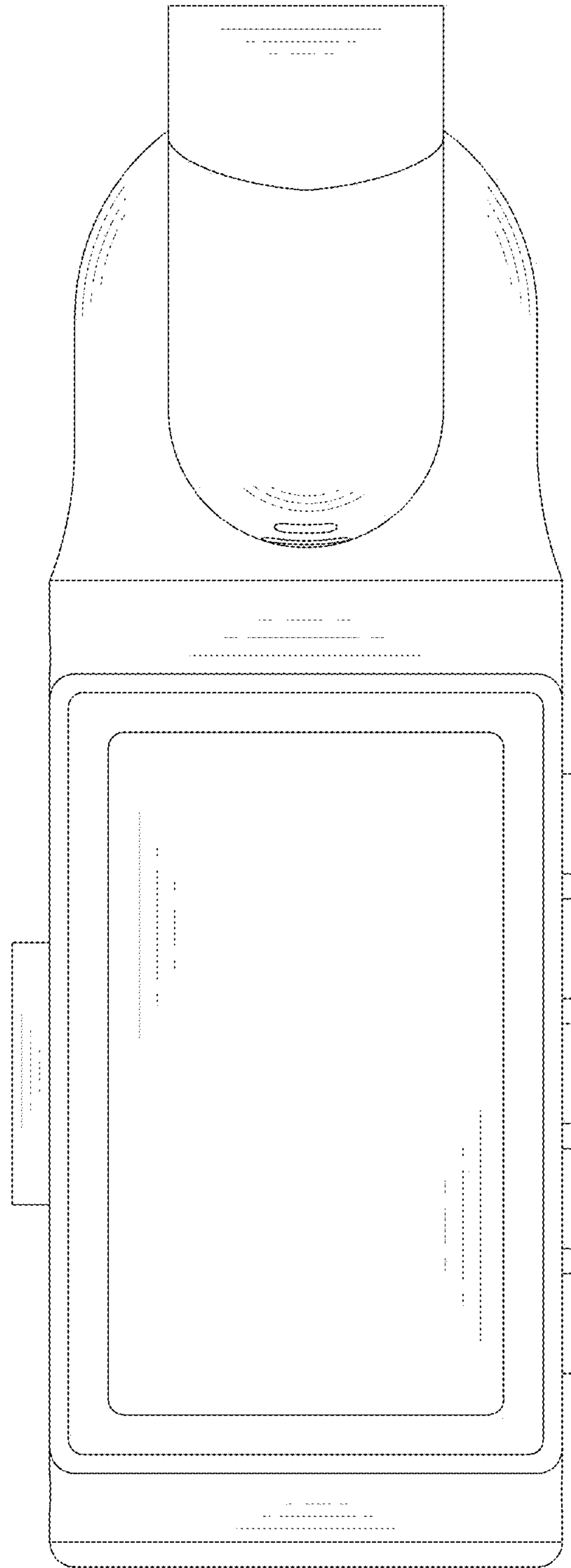


FIG. 3

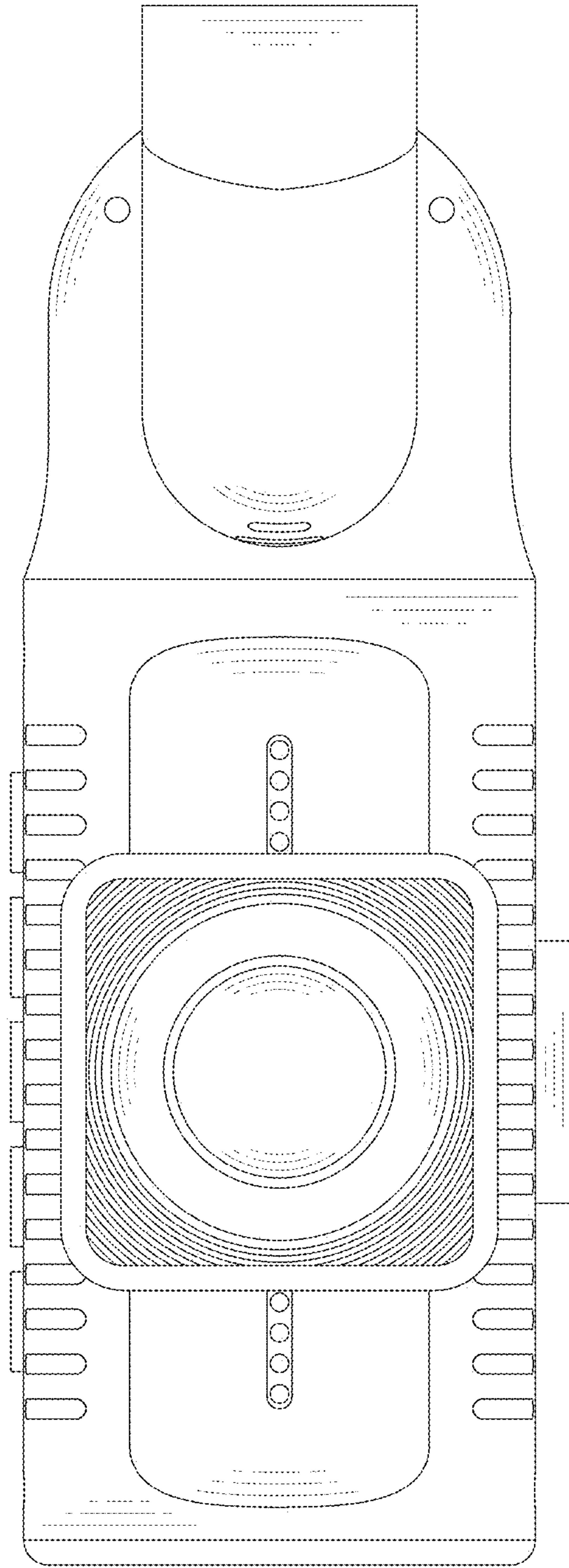


FIG. 4

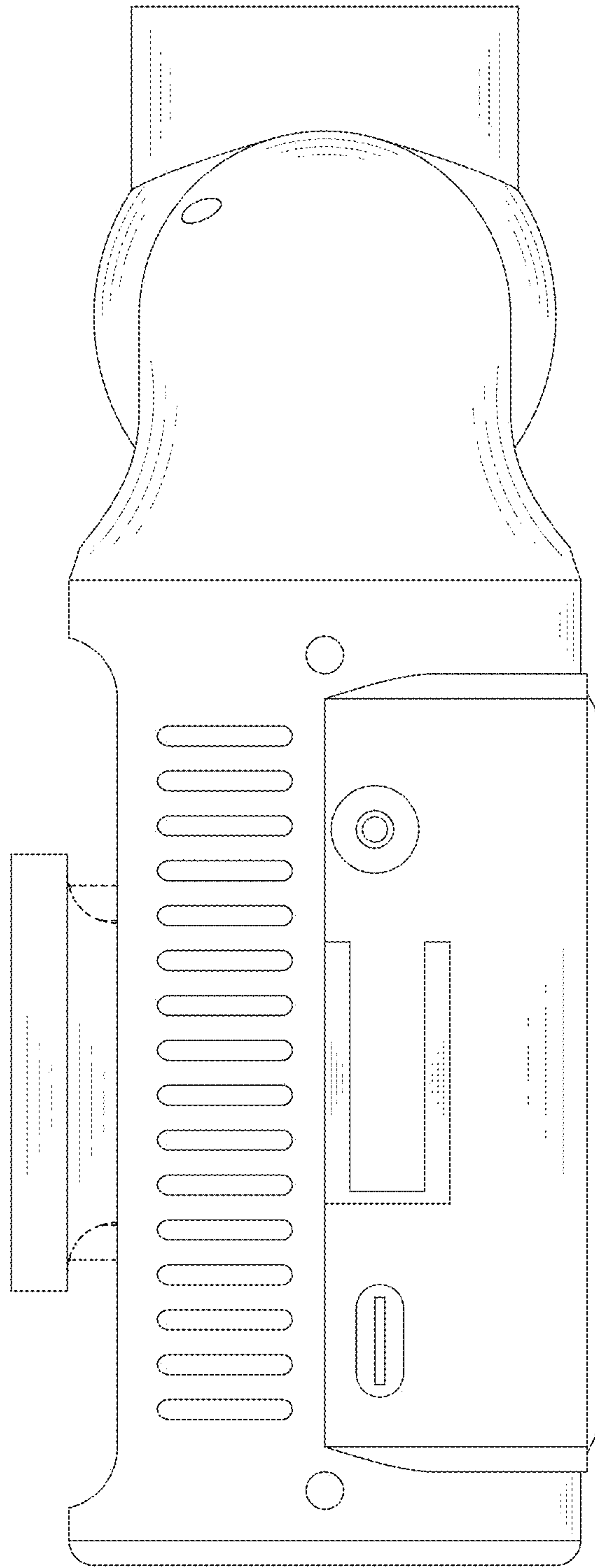


FIG. 5

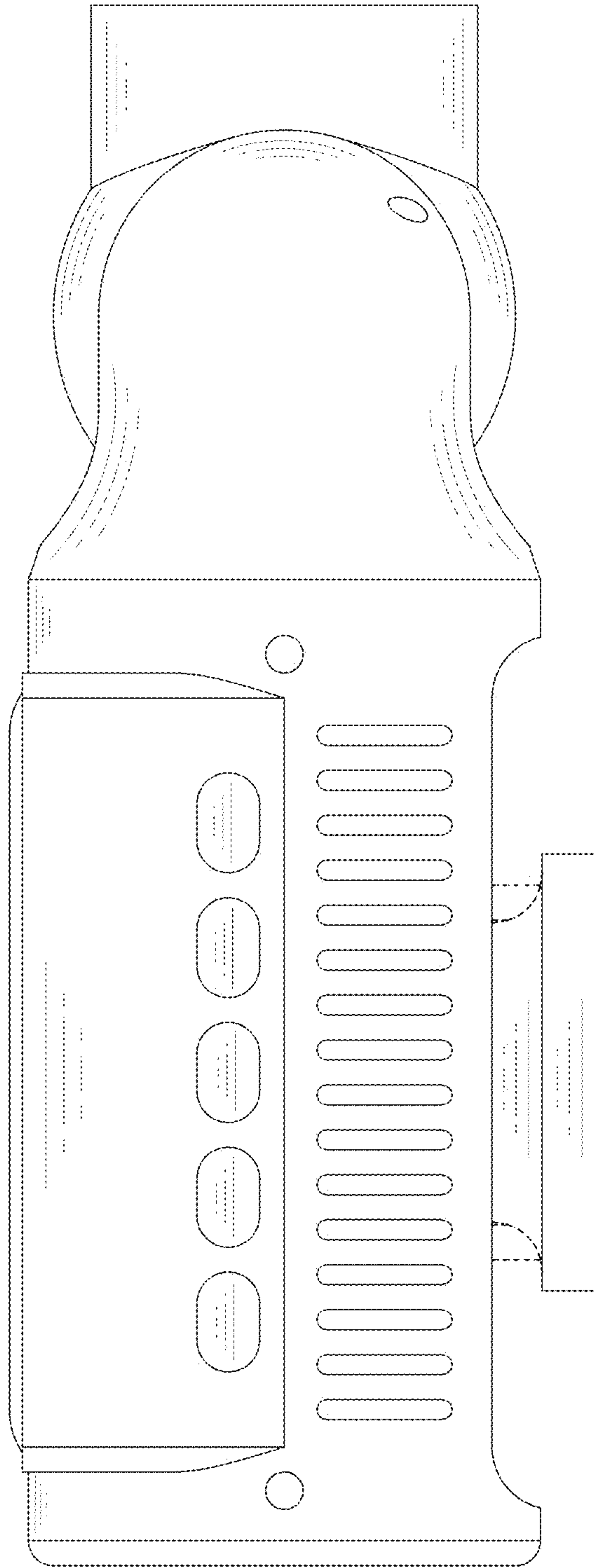


FIG. 6

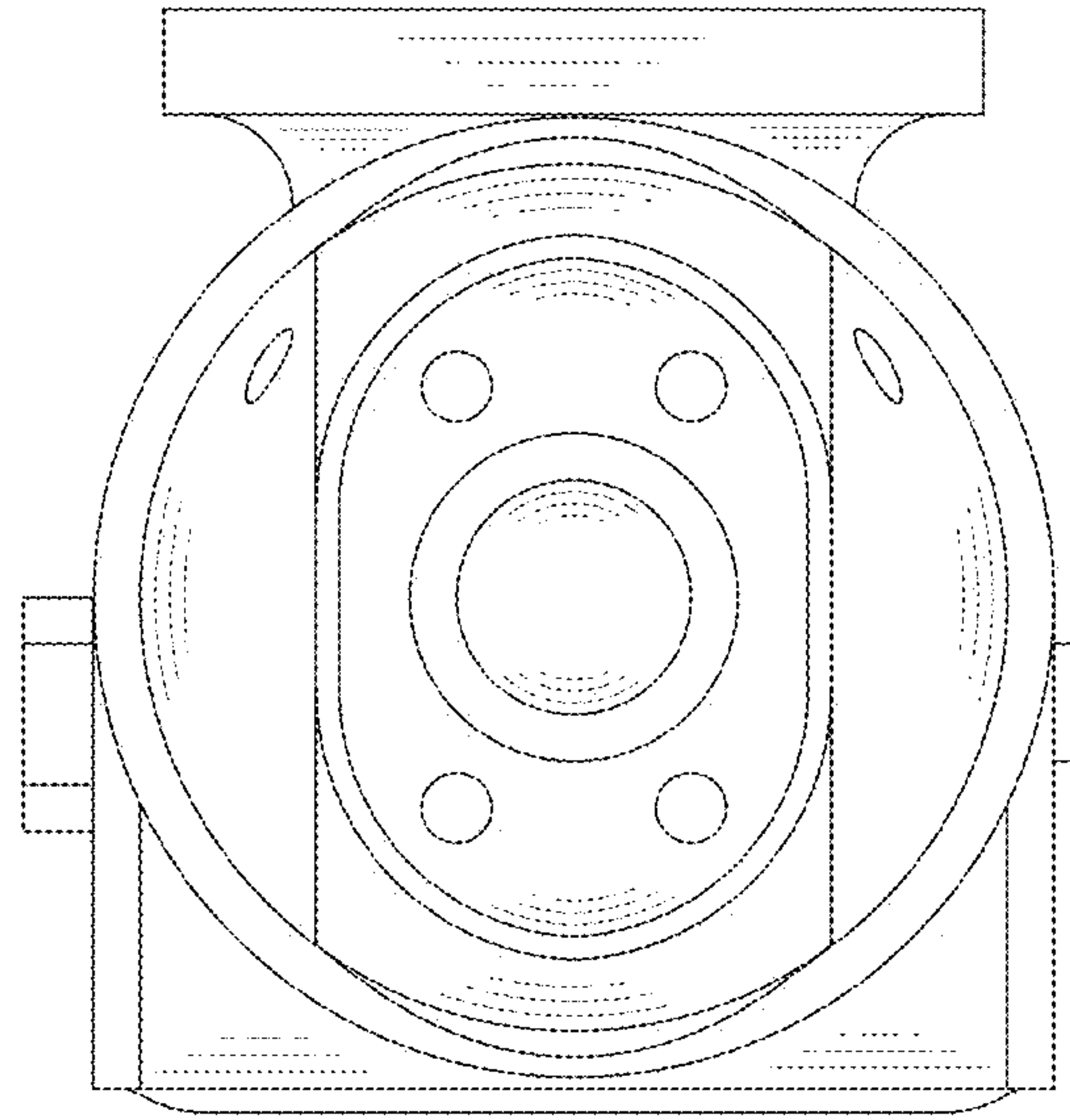


FIG. 7

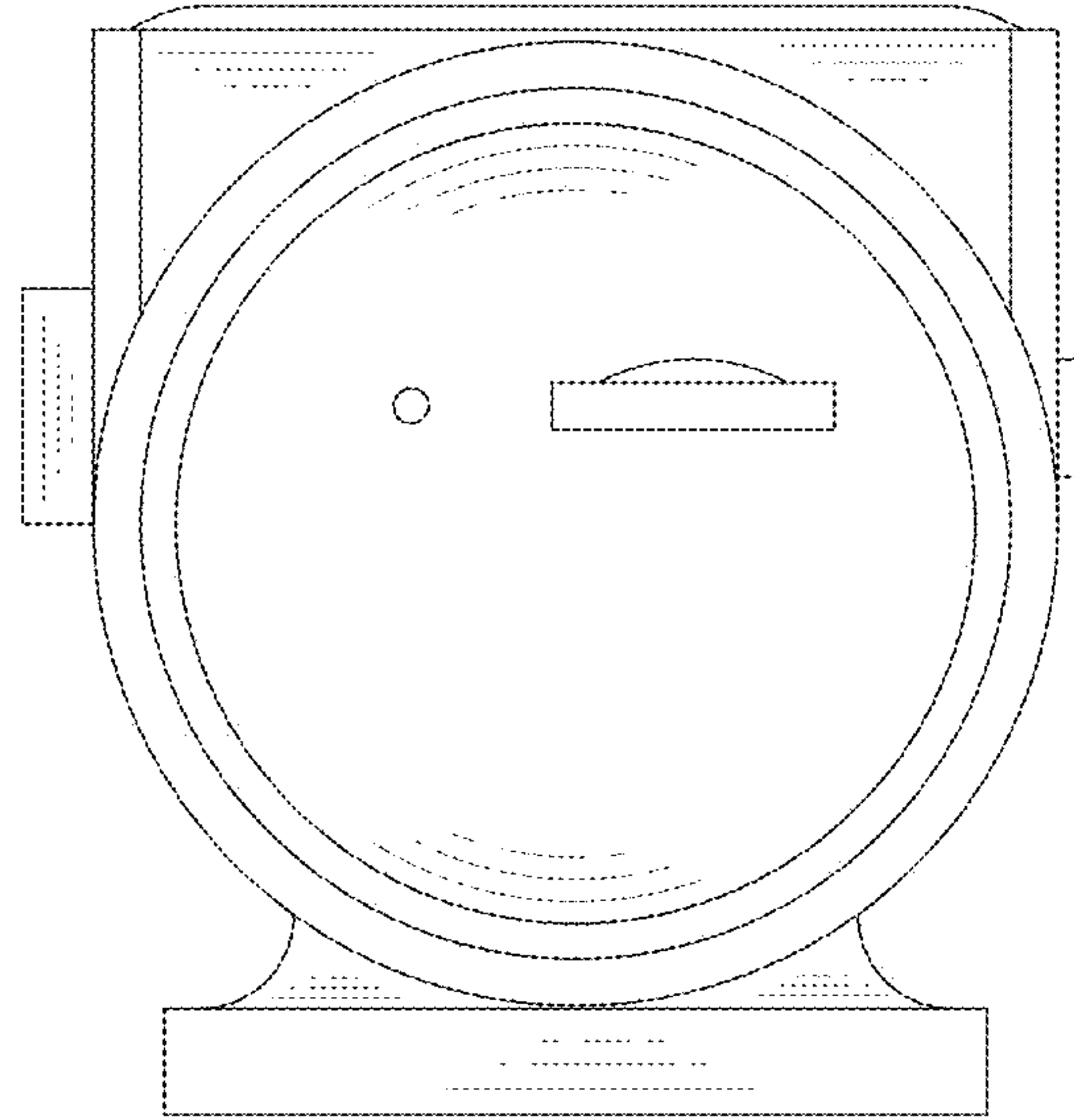


FIG. 8