



US00D983246S

(12) **United States Design Patent**
Sterner

(10) **Patent No.:** **US D983,246 S**

(45) **Date of Patent:** **** *Apr. 11, 2023**

- (54) **OIL BUCKET LID**
- (71) Applicant: **Reed Manufacturing Company**, Erie, PA (US)
- (72) Inventor: **Robert M. Sterner**, Bethlehem, GA (US)
- (73) Assignee: **Reed Manufacturing Co.**, Erie, PA (US)
- (*) Notice: This patent is subject to a terminal disclaimer.
- (**) Term: **15 Years**
- (21) Appl. No.: **29/773,178**
- (22) Filed: **Mar. 8, 2021**
- (51) **LOC (14) Cl.** **09-09**
- (52) **U.S. Cl.**
USPC **D15/150**
- (58) **Field of Classification Search**
USPC D7/392.1; D9/449; D15/150, 151, 152
CPC B65D 55/02; B65D 53/00; B65D 41/02
See application file for complete search history.

- D337,594 S * 7/1993 Strauch D15/152
- D337,774 S * 7/1993 Schillinger D15/150
- D374,447 S * 10/1996 Brewer D15/150
- D379,097 S * 5/1997 Brewer D15/150
- D429,264 S * 8/2000 Lindstrand D15/150
- D438,932 S * 3/2001 McKinney D23/207
- D445,869 S * 7/2001 McKinney D23/207
- D467,049 S * 12/2002 Kohn D9/449
- 7,090,054 B2 8/2006 Iwamasa et al.
- D539,822 S * 4/2007 Tseng D15/150
- D541,323 S * 4/2007 Tseng D15/150
- D562,429 S * 2/2008 Morris B01D 35/301
D23/209
- D576,772 S * 9/2008 Bates D32/54
- 7,866,329 B2 * 1/2011 Bates B44D 3/006
134/900
- D638,042 S * 5/2011 Liao D15/152
- D785,129 S 4/2017 Humphreys, Jr. et al.

(Continued)

Primary Examiner — Patricia A Palasik
(74) *Attorney, Agent, or Firm* — Bauer Law Offices;
Robert M. Bauer

(57) **CLAIM**

The ornamental design for an oil bucket lid, as shown and described.

DESCRIPTION

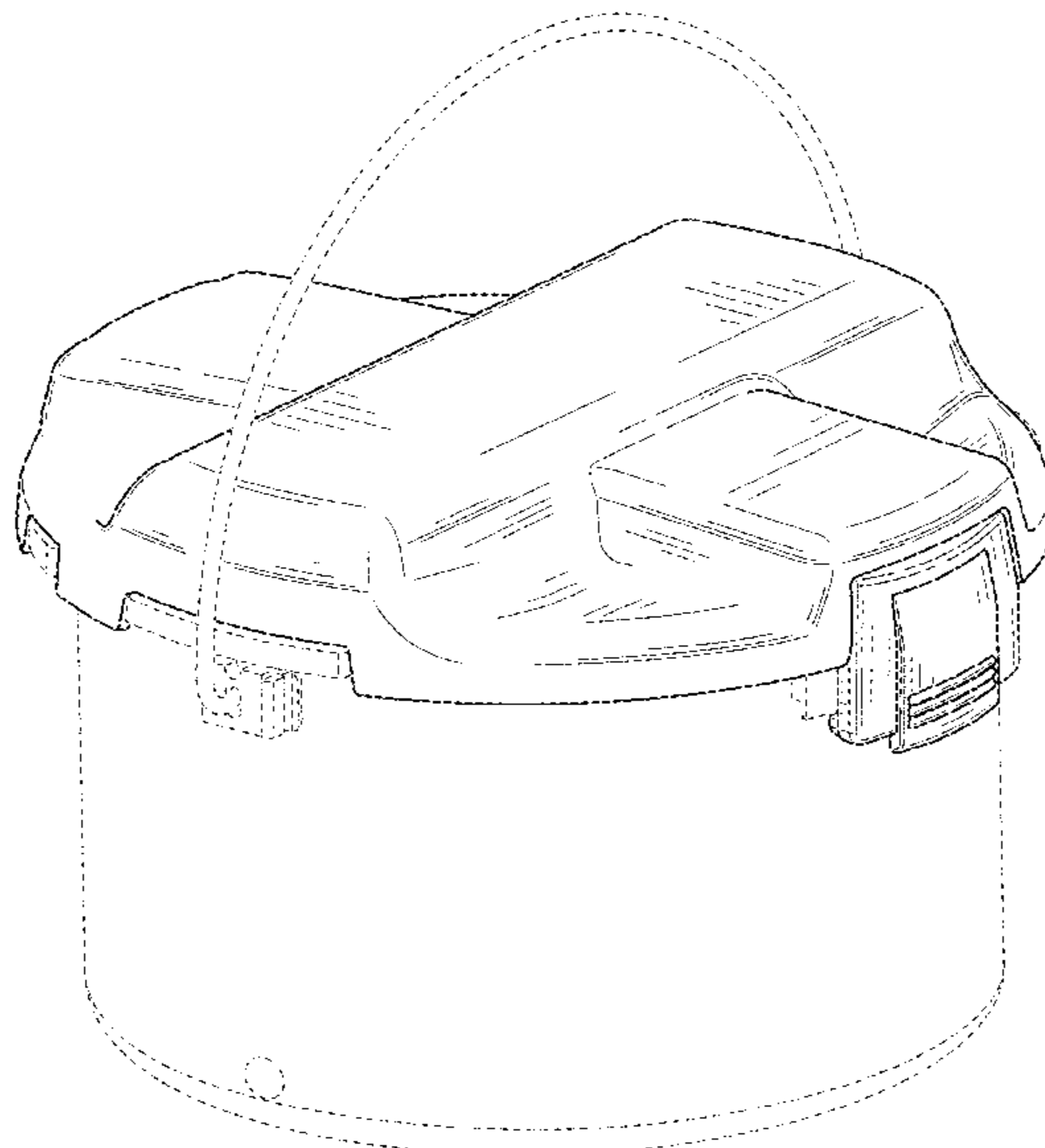
FIG. 1 is a first top perspective view of the oil bucket lid, as latched to an oil bucket shown in broken lines.
FIG. 2 is a second top perspective view of the design in FIG. 1.
FIG. 3 is a top view of the design in FIG. 1.
FIG. 4 is a front view of the design in FIG. 1.
FIG. 5 is a side view of the design in FIG. 1.
FIG. 6 is a bottom view of the design in FIG. 1; and,
FIG. 7 is a bottom perspective view of the design in FIG. 1.
The dashed lines in FIG. 1 show an oil bucket and handle which form no part of the design.

1 Claim, 6 Drawing Sheets

(56) **References Cited**

U.S. PATENT DOCUMENTS

- 1,506,028 A * 8/1924 Perritt F16N 31/002
220/573
- D103,491 S * 3/1937 Epton D15/151
- D113,679 S * 3/1939 Neely D23/209
- D158,070 S * 4/1950 Gray D15/151
- D200,995 S * 4/1965 Hiers D23/207
- D232,976 S * 9/1974 Ruter D15/150
- D240,890 S * 8/1976 Loflin D8/29
- D266,400 S * 10/1982 Shatz D9/503
- 4,702,290 A * 10/1987 Perez B01D 41/04
141/332
- 4,775,067 A * 10/1988 Mount B65D 25/00
280/79.5



(56)

References Cited

U.S. PATENT DOCUMENTS

D828,752 S *	9/2018	Ploeger	D15/152
D849,812 S *	5/2019	Sonnenberg	D15/150
D856,748 S	8/2019	Rane et al.	
D861,053 S *	9/2019	Tally	D15/152
10,435,205 B1 *	10/2019	Tubbs	B44D 3/127
D870,786 S *	12/2019	Wu	D15/150
D885,903 S	6/2020	Rane et al.	

* cited by examiner

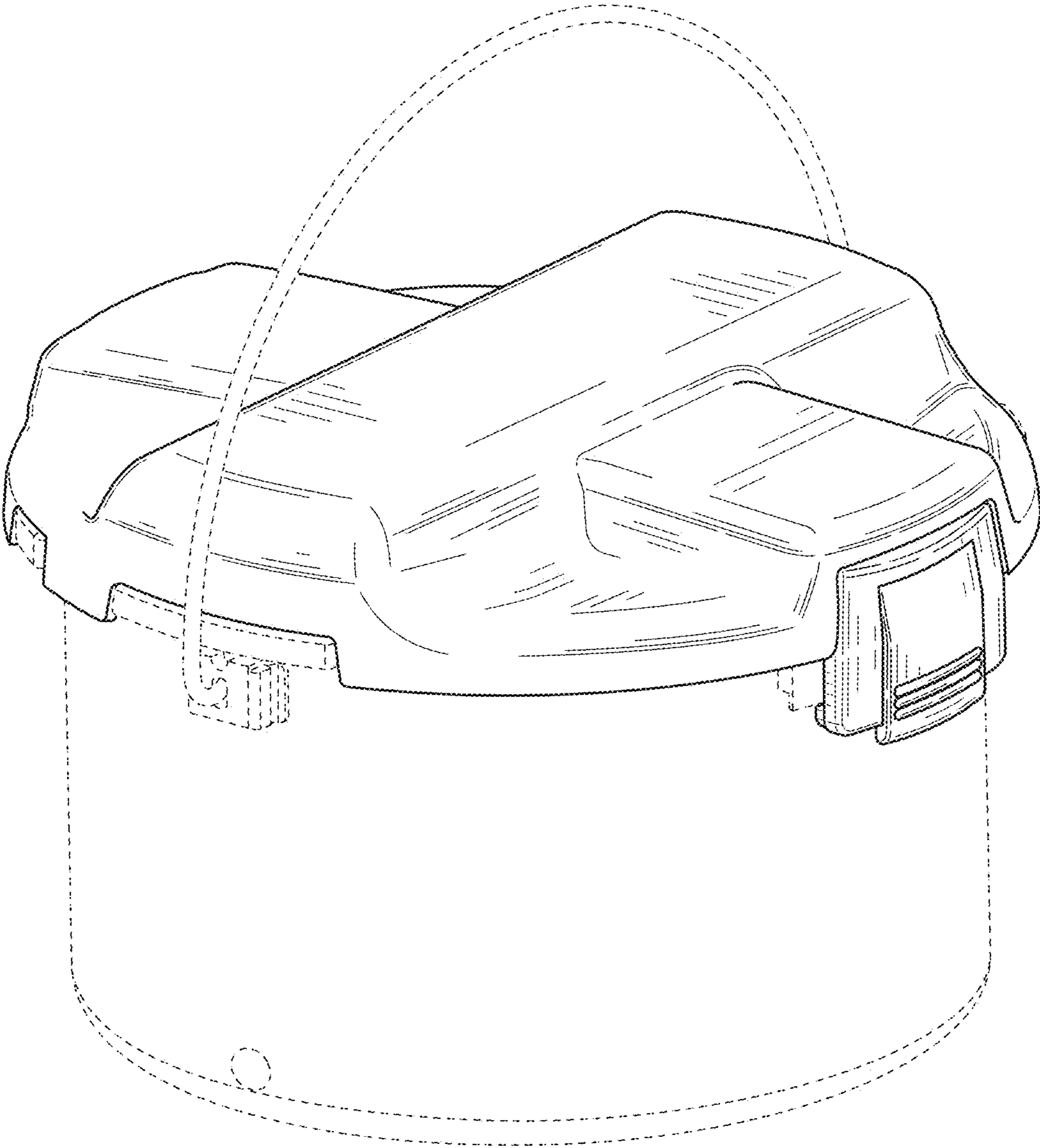


FIG. 1

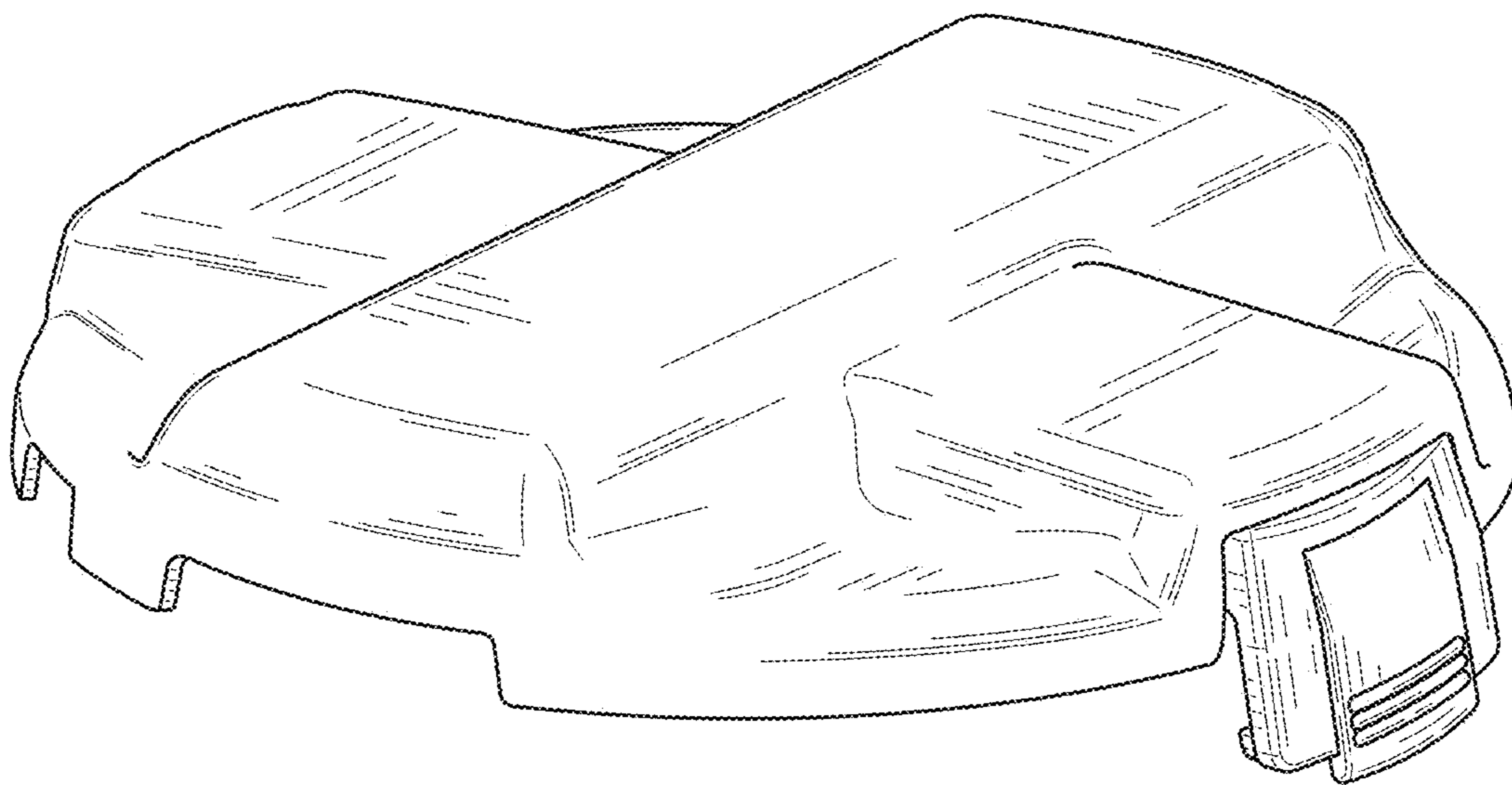


FIG. 2

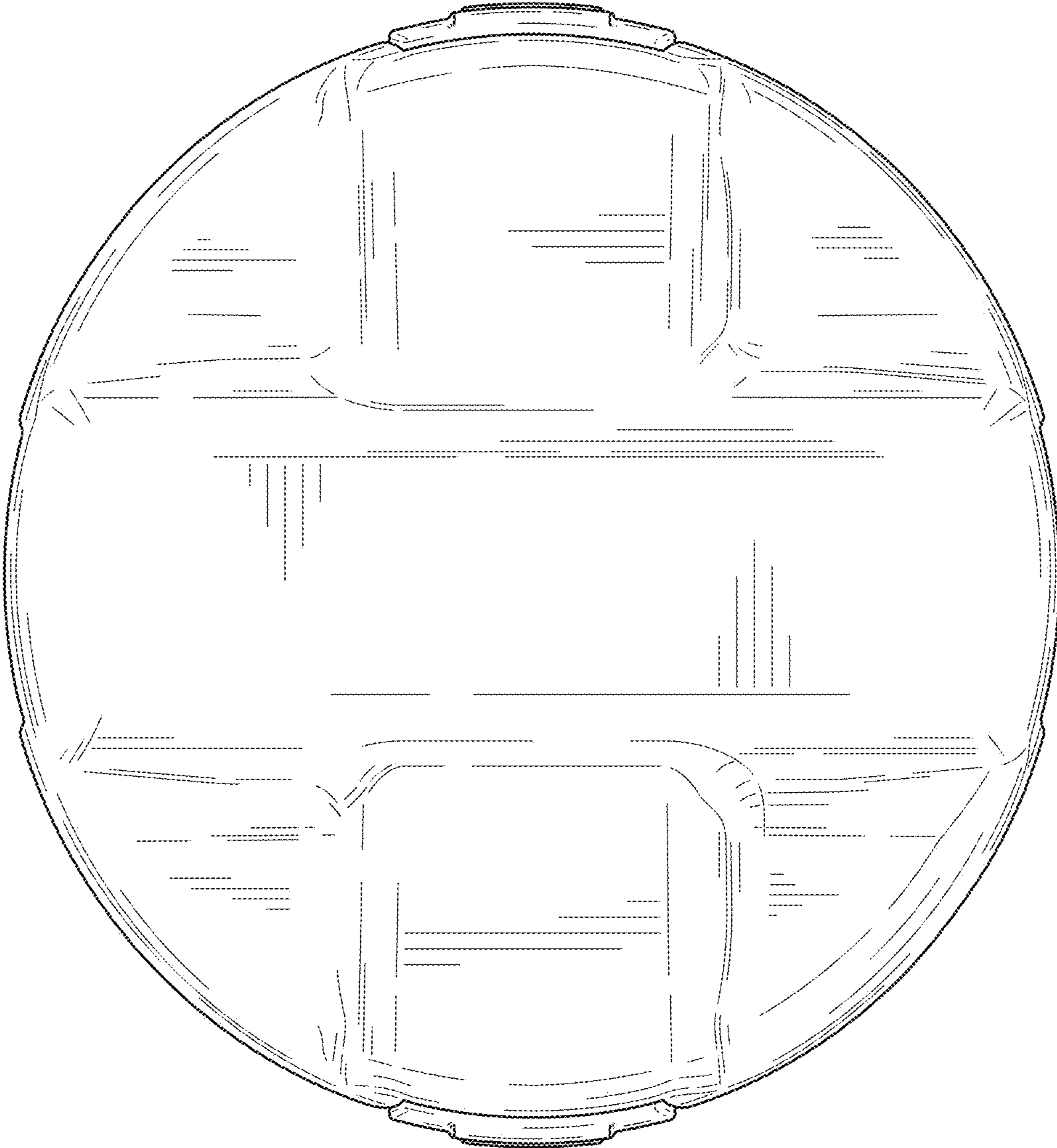


FIG. 3

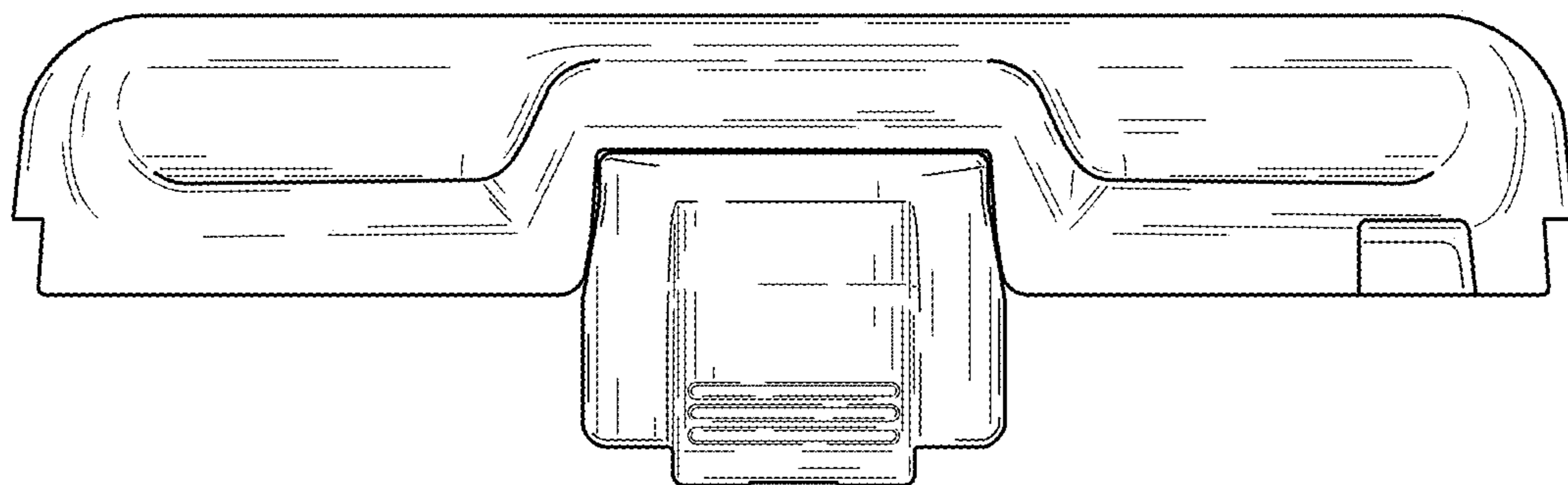


FIG. 4

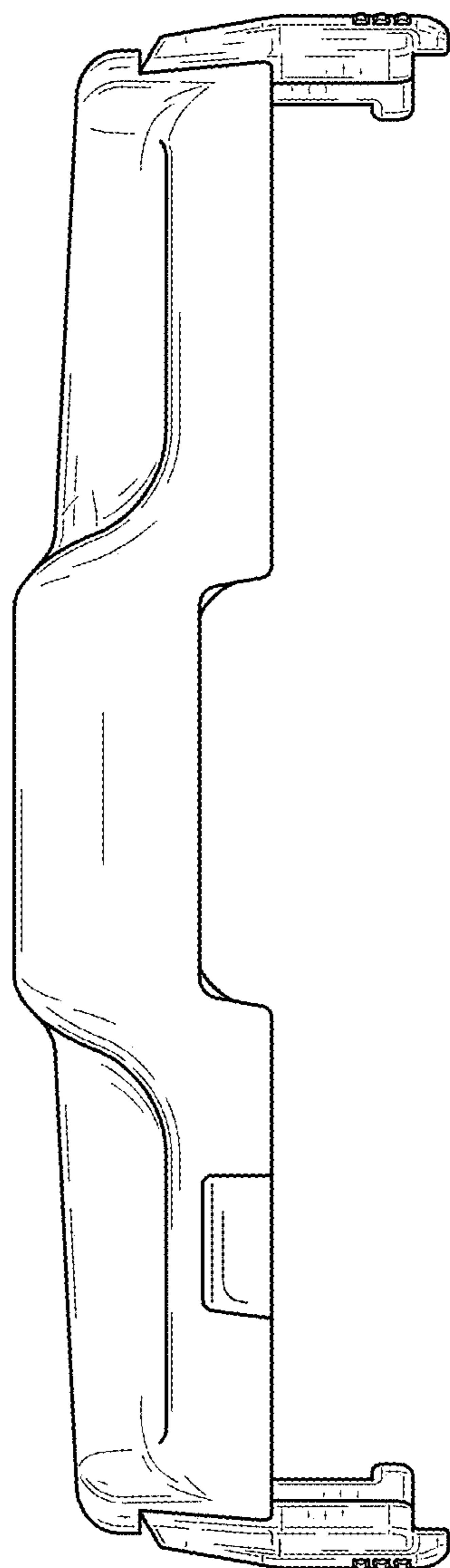


FIG. 5

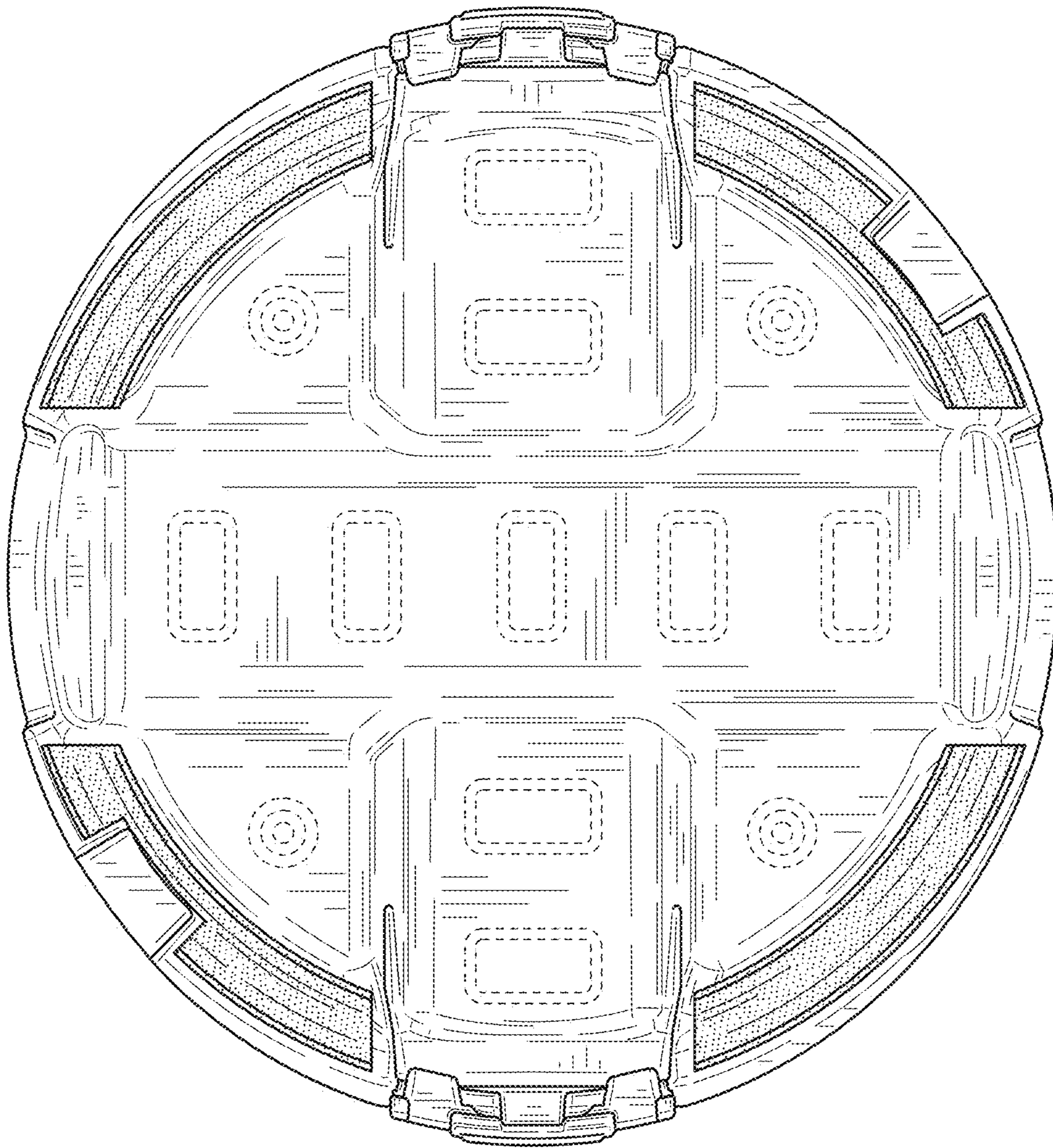


FIG. 6

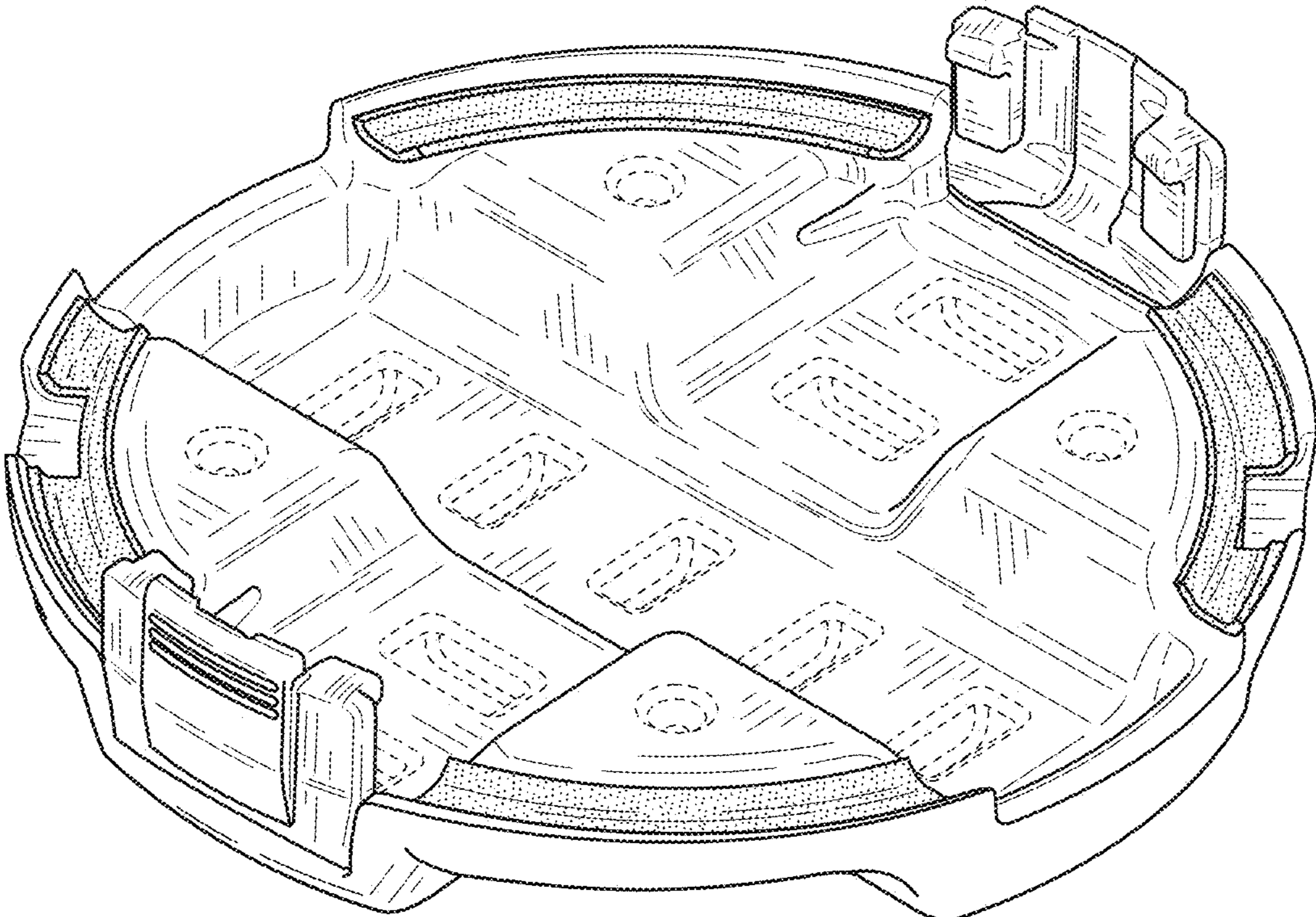


FIG. 7