



US00D983244S

(12) **United States Design Patent**
Wang

(10) **Patent No.:** **US D983,244 S**

(45) **Date of Patent:** **** Apr. 11, 2023**

(54) **PROPANE TORCH**

(71) Applicant: **Jie Wang**, Ningbo (CN)

(72) Inventor: **Jie Wang**, Ningbo (CN)

(73) Assignee: **Jie Wang**, Ningbo (CN)

(**) Term: **15 Years**

(21) Appl. No.: **29/869,410**

(22) Filed: **Dec. 30, 2022**

(51) **LOC (14) Cl.** **15-09**

(52) **U.S. Cl.**
USPC **D15/144.2**; D8/30

(58) **Field of Classification Search**
USPC D15/13, 144; D8/30, 61, 62, 68, 107;
D23/213, 225, 226
CPC F23D 14/40; F23D 14/52; F23D 14/54;
F23D 14/72; F23D 14/465; F23D 14/28;
F23D 14/44; F23D 14/46; F23D 2209/00;
F23N 1/007; F23N 1/247; F23Q 3/002;
B25D 17/00; B23K 3/03; B23K 3/022
See application file for complete search history.

(56) **References Cited**

U.S. PATENT DOCUMENTS

4,348,172	A *	9/1982	Miller	F23D 14/38	431/255
D304,151	S *	10/1989	Chapin	D8/30	
D329,971	S *	10/1992	Pryor	D8/30	
D703,250	S *	4/2014	McKinley	D8/30	
D703,251	S *	4/2014	Raboin	D8/30	
8,727,389	B2 *	5/2014	Burdsall	F23D 14/465	285/391
D772,380	S *	11/2016	Fontaine	D23/225	
D806,152	S *	12/2017	Whited	D8/30	
D813,627	S *	3/2018	Tsai	D8/30	
D820,057	S *	6/2018	Tsai	D8/30	

10,605,452	B2 *	3/2020	Tsai	F23D 14/00	
D881,343	S *	4/2020	Huang	D23/223	
10,702,938	B1 *	7/2020	Snyder	B23K 7/00	
D952,715	S	5/2022	Jia			
2004/0166454	A1 *	8/2004	Zwicker	F23D 14/465	431/344

(Continued)

OTHER PUBLICATIONS

Swess, Trigger-Start Torch Head, MAPP/Propane Gas Torch Kit, (first available May 5, 2022), Amazon.ca, URL:<<https://www.amazon.ca/Trigger-Start-Propane-Button-Adjustable-Welding/dp/B09ZKX9CNM>> (Year: 2022).*

(Continued)

Primary Examiner — Calvin E Vansant
Assistant Examiner — Mark T. Philipps
(74) *Attorney, Agent, or Firm* — Nitin Kaushik

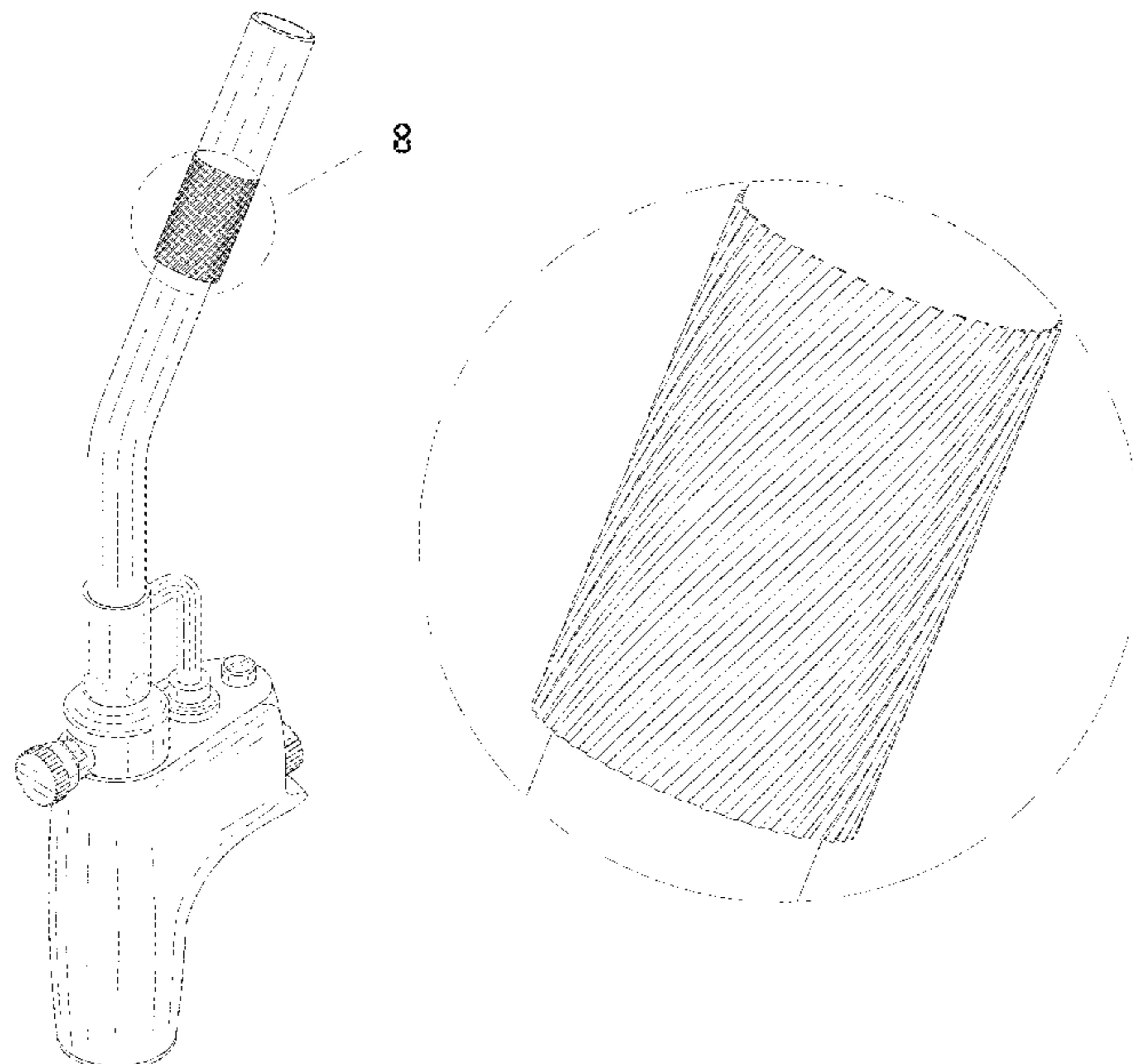
(57) **CLAIM**

The ornamental design for a propane torch, as shown and described.

DESCRIPTION

FIG. 1 is a front perspective view of a propane torch, showing my new design;
FIG. 2 is a front view thereof;
FIG. 3 is a rear view thereof;
FIG. 4 is a left side view thereof;
FIG. 5 is a right side view thereof;
FIG. 6 is a top view thereof;
FIG. 7 is a bottom view thereof; and,
FIG. 8 is a partial enlargement of FIG. 1.
The broken lines in the drawings illustrate the portions of the propane torch, which form no part of the claimed design.
The short dash, long dash, short dash lines on FIG. 1 and FIG. 8 depict the bounds of the region taken from FIG. 1 to be enlarged on FIG. 8 and form no part of the claimed design.

1 Claim, 8 Drawing Sheets



(56)

References Cited

U.S. PATENT DOCUMENTS

2012/0045727 A1* 2/2012 Tsai F23Q 3/002
431/253
2012/0074244 A1* 3/2012 Burdsall B23K 3/022
239/526
2015/0069041 A1* 3/2015 Soringauer B23K 9/282
219/138
2016/0097530 A1* 4/2016 Tsai F23Q 3/002
431/255

OTHER PUBLICATIONS

Benzomatic, TS8000—High Intensity Trigger Start Torch, (first available Aug. 3, 2021), Amazon.ca, URL:<<https://www.amazon.ca/Benzomatic-TS8000-Intensity-Trigger-Start/dp/B0019CQL60/>> (Year: 2021).*

Benzomatic, TS4000T Trigger-Start Torch Head, (first available Sep. 16, 2021), Amazon.ca, URL:<<https://www.amazon.ca/Benzomatic-TS4000T-Trigger-Start-Torch-Head/dp/B00008ZA09/>> (Year: 2021).*

* cited by examiner

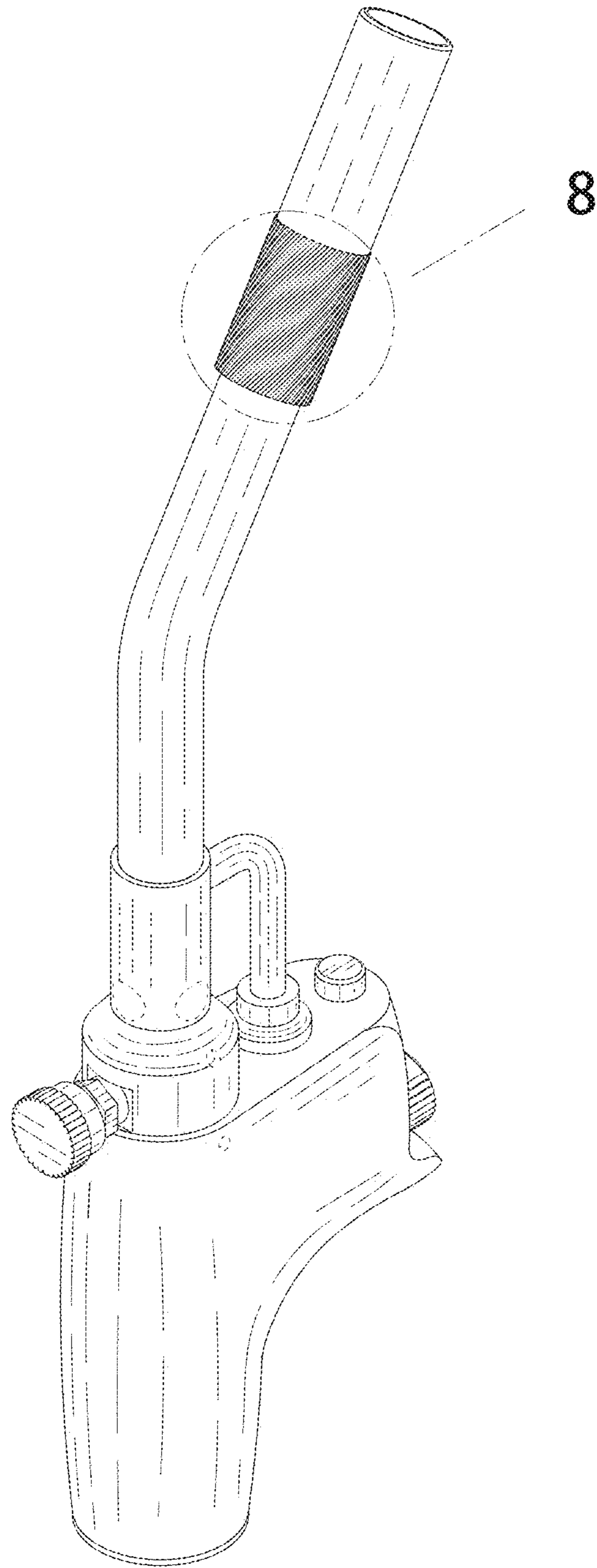


FIG. 1

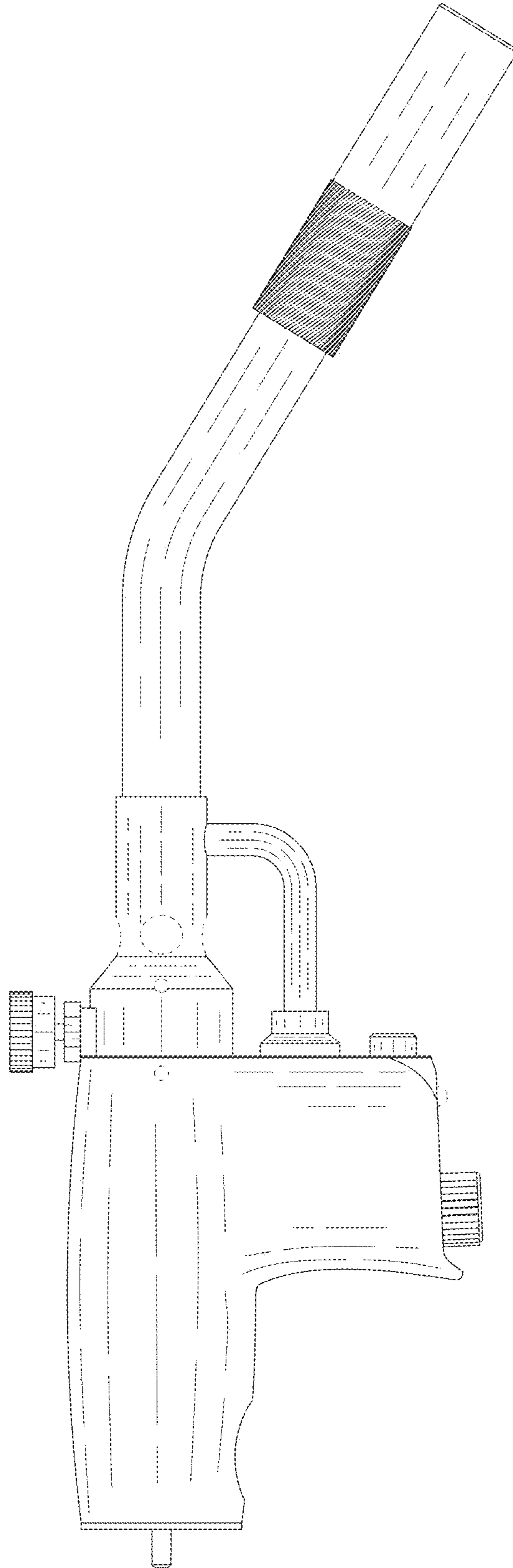


FIG. 2

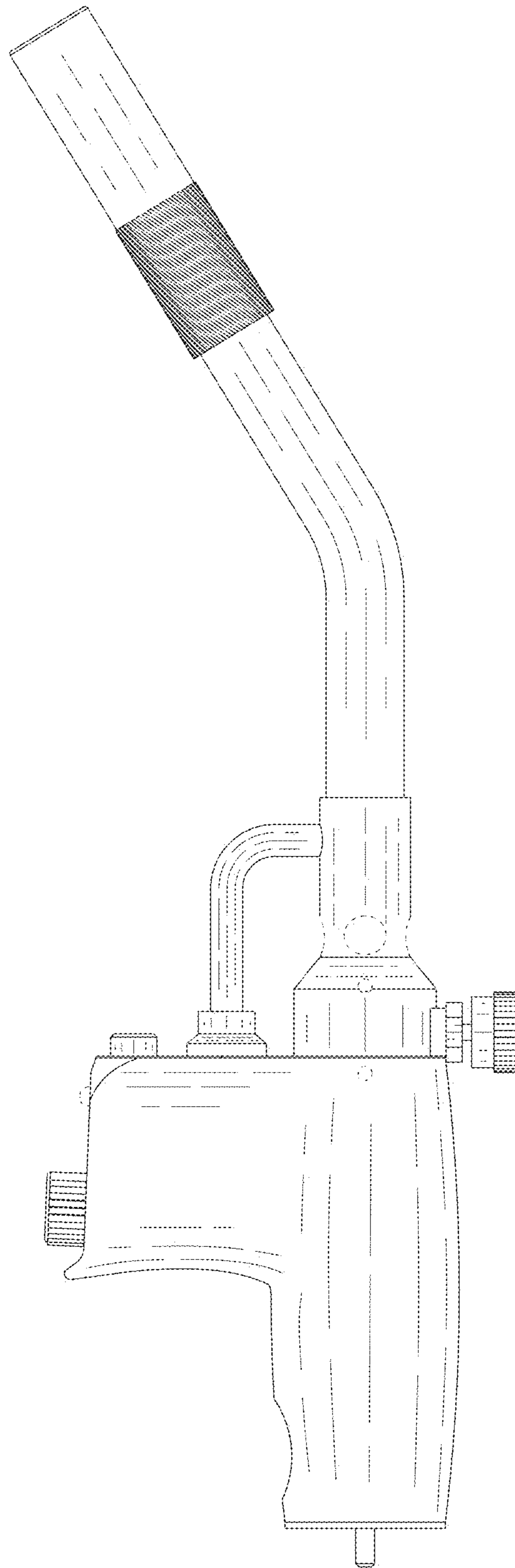


FIG. 3

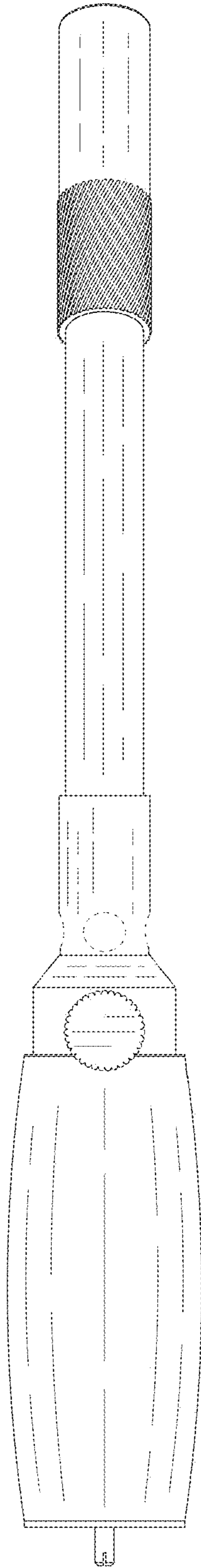


FIG. 4

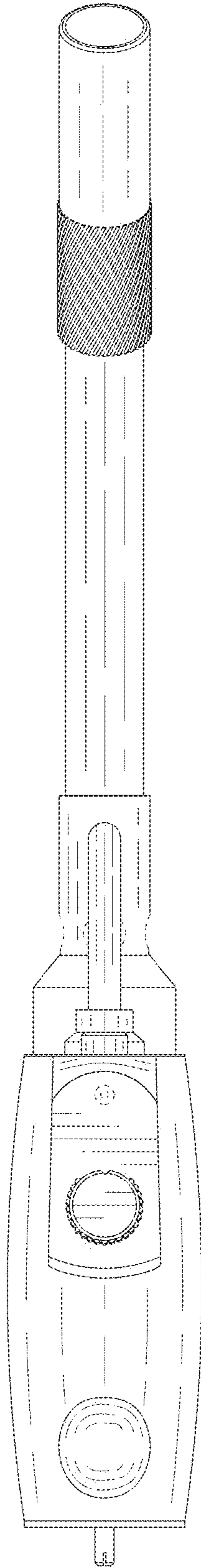


FIG. 5

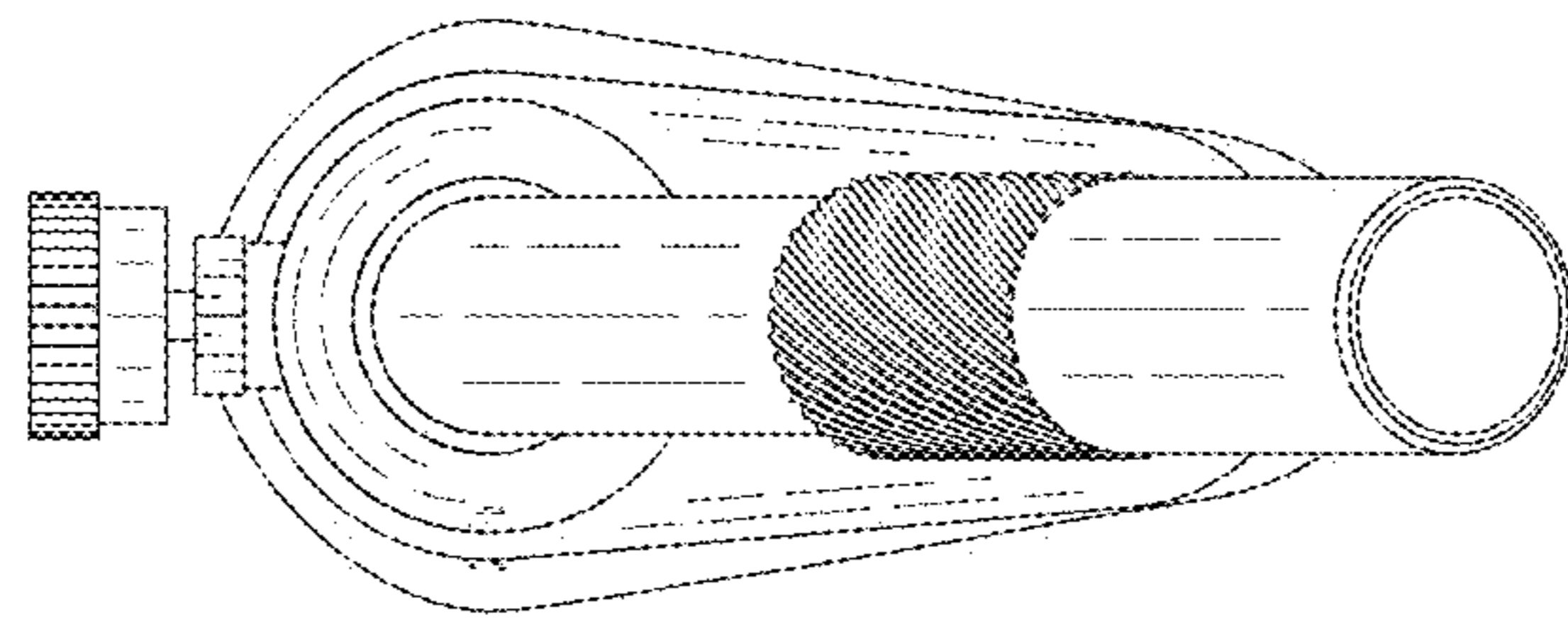


FIG. 6

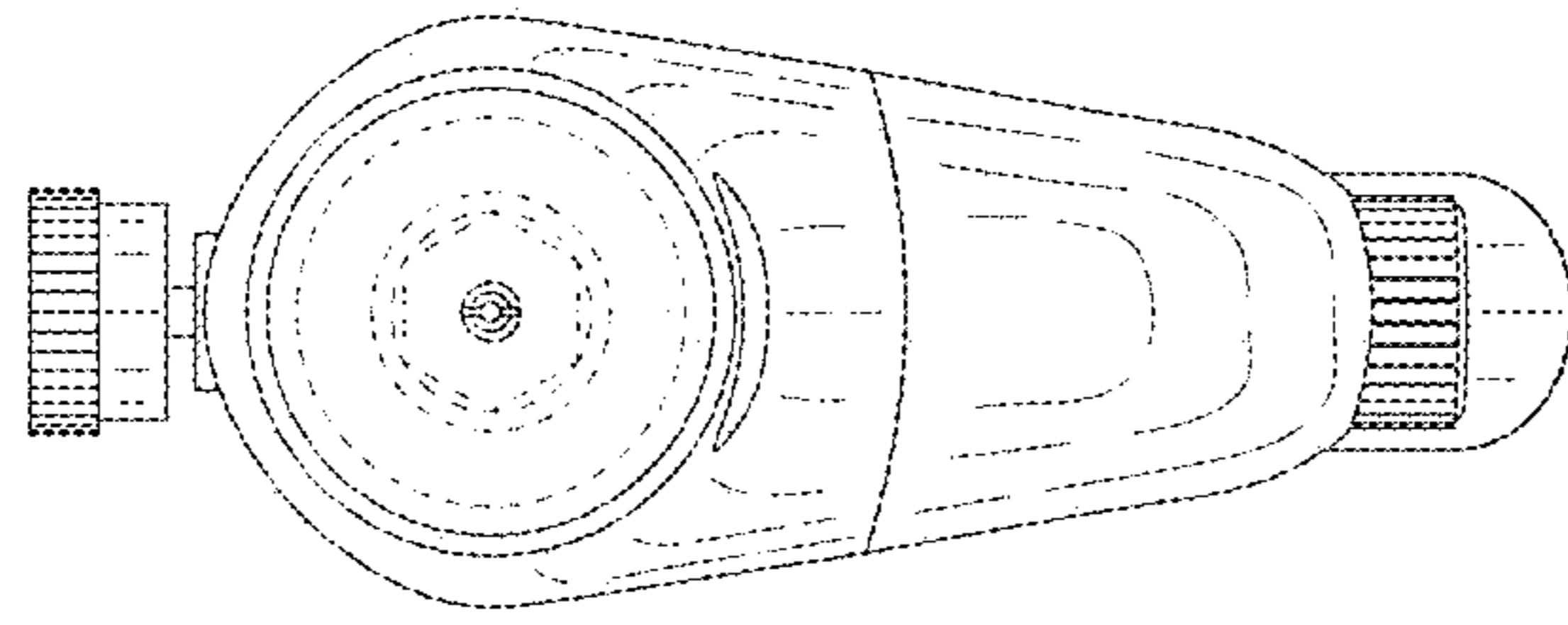


FIG. 7

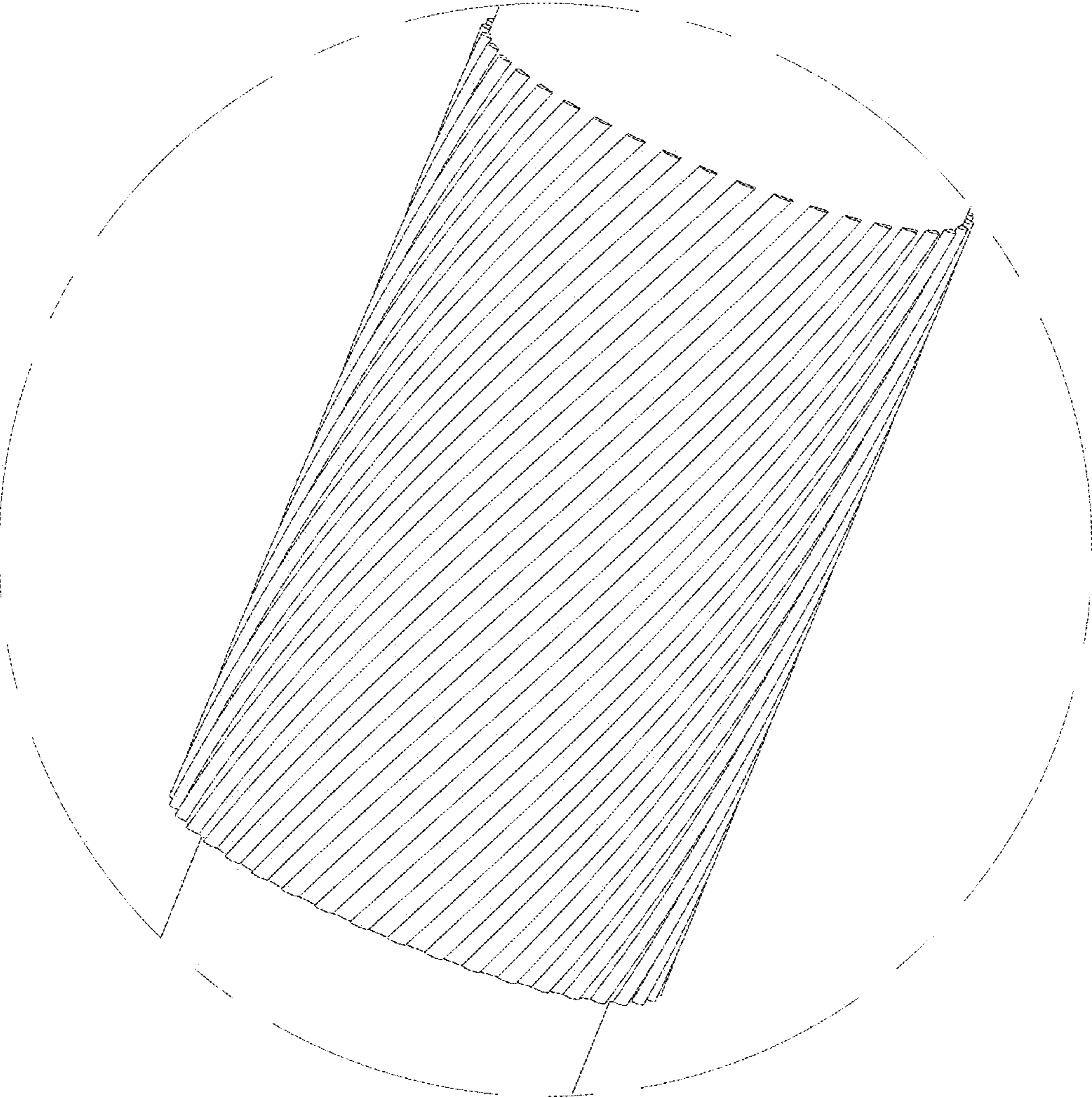


FIG. 8