



US00D983243S

(12) **United States Design Patent** (10) **Patent No.:** **US D983,243 S**
Muzica (45) **Date of Patent:** **** Apr. 11, 2023**

(54) **WELDING TORCH**
(71) Applicant: **Alexander Binzel Schweisstechnik GmbH & Co. KG**, Buseck (DE)
(72) Inventor: **Jannik Muzica**, Erdhausen (DE)
(73) Assignee: **Alexander Binzel Schweisstechnik GmbH & Co. KG**, Buseck (DE)

(**) Term: **15 Years**
(21) Appl. No.: **29/782,319**
(22) Filed: **May 6, 2021**
(51) **LOC (14) Cl.** **15-09**
(52) **U.S. Cl.**
USPC **D15/144**; D8/30
(58) **Field of Classification Search**
USPC D8/29.1, 29.2, 30, 60, 71; D15/144, D15/144.1, 144.2
CPC B23K 3/023; B23K 3/0346; B23K 3/033; B23K 3/022; B23K 3/021; B23K 9/00; B23K 9/295
See application file for complete search history.

D882,361 S * 4/2020 Calandreli Cruz D8/30
D883,055 S * 5/2020 Vazquez D8/30
D893,967 S * 8/2020 Vazquez D8/30
D904,146 S * 12/2020 Grossauer D8/30
D917,396 S * 4/2021 Assmann D13/133
D958,211 S * 7/2022 Weber D8/30
D962,028 S * 8/2022 Kachline D8/30

(Continued)

OTHER PUBLICATIONS

Abicor Binzel xFume Pro Fume Extraction MIG Guns, posted on binzel-abicor.com; no posted date given; [online]; [site visited Nov. 2, 2022]; available from internet; URL: <https://www.binzel-abicor.com/US/eng/products/fume-extraction-welding/xfume-pro-fume-extraction-mig-guns/> (Year: 2022).*

(Continued)

Primary Examiner — Michael C Stout
Assistant Examiner — Fritzgerald L Butac
(74) *Attorney, Agent, or Firm* — Rogowski Law LLC

(57) **CLAIM**

The ornamental design for a welding torch, as shown and described.

DESCRIPTION

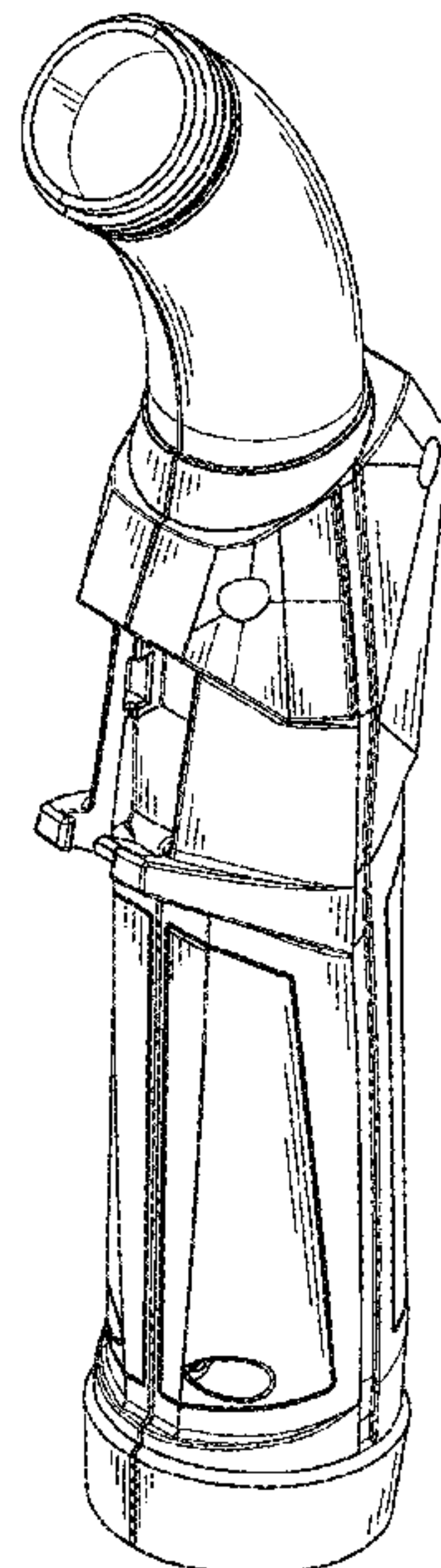
FIG. 1 is a right side perspective view of a welding torch showing our design;
FIG. 2 is a top plan view of the welding torch of FIG. 1;
FIG. 3 is a bottom plan view of the welding torch of FIG. 1;
FIG. 4 is a right side view of the welding torch of FIG. 1;
FIG. 5 is a left side view of the welding torch of FIG. 1;
FIG. 6 is a top plan view of the welding torch of FIG. 1; and,
FIG. 7 is a bottom plan view of the welding torch of FIG. 1.
The broken lines show portions of a welding torch which form no part of the claimed design.

1 Claim, 7 Drawing Sheets

(56) **References Cited**

U.S. PATENT DOCUMENTS

D279,543 S * 7/1985 Pashkov D8/30
D343,629 S * 1/1994 Bode D8/30
D350,884 S * 9/1994 Sperling D8/30
D532,432 S * 11/2006 Owens D8/107
D537,092 S * 2/2007 Owens D8/107
D638,270 S * 5/2011 Flattinger D8/30
D647,382 S * 10/2011 Flattinger D8/107
D735,002 S * 7/2015 Bondy D8/30
D752,403 S * 3/2016 Kindig D8/30
D849,808 S * 5/2019 Assmann D8/107
D876,914 S * 3/2020 Mitterhumer D8/30
D881,664 S * 4/2020 Vazquez D8/30



(56)

References Cited

U.S. PATENT DOCUMENTS

D962,029 S * 8/2022 Kachline D8/30
D965,041 S * 9/2022 Kachline D8/30
D965,042 S * 9/2022 Kachline D8/30

OTHER PUBLICATIONS

How Fume Extraction Torches Work; posted on youtube.com; posted Feb. 13, 2020; no production date given; [online]; [site visited Nov. 2, 2022]; available from internet; URL: <https://www.youtube.com/watch?v=JdZqKMewjY&t=193s> (Year: 2020).*

* cited by examiner

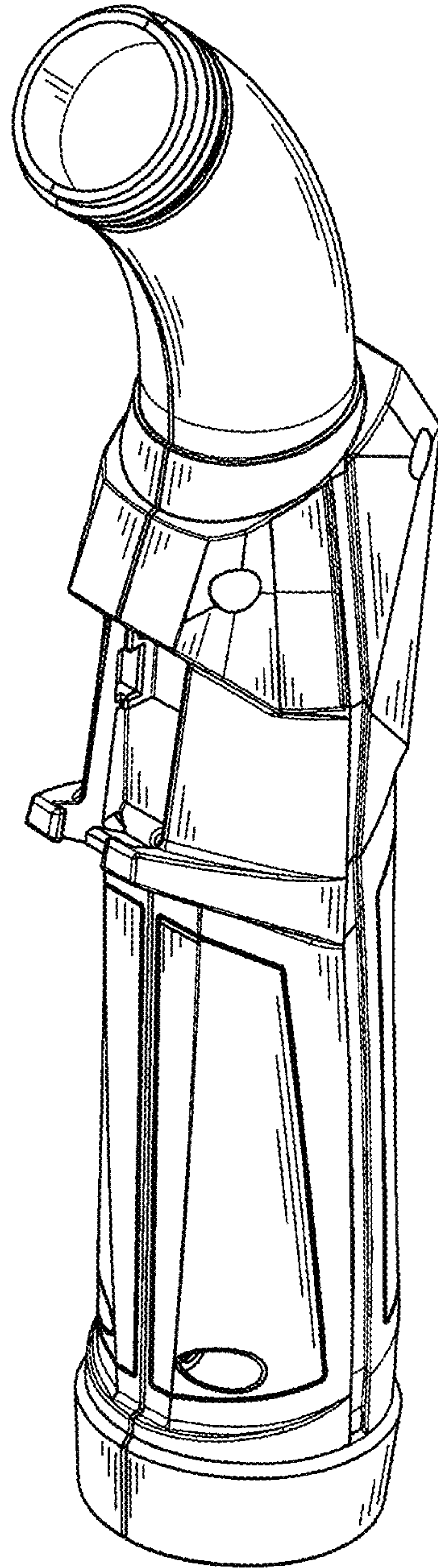


FIG. 1

FIG. 2

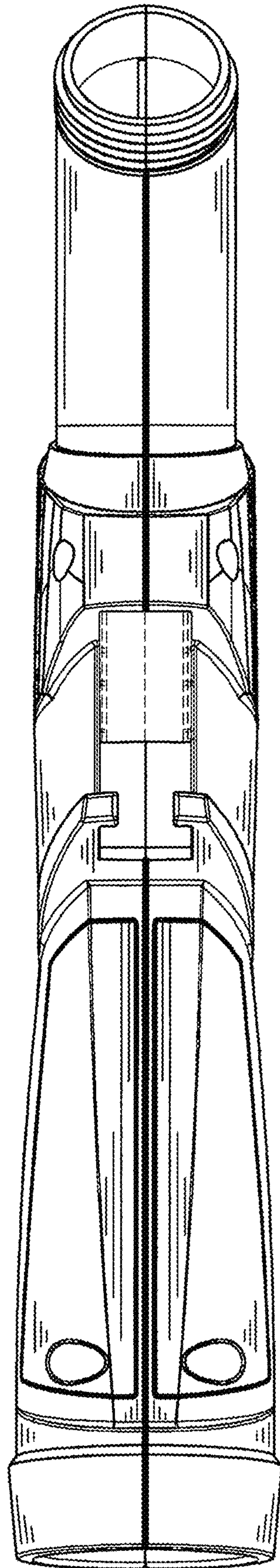


FIG. 3

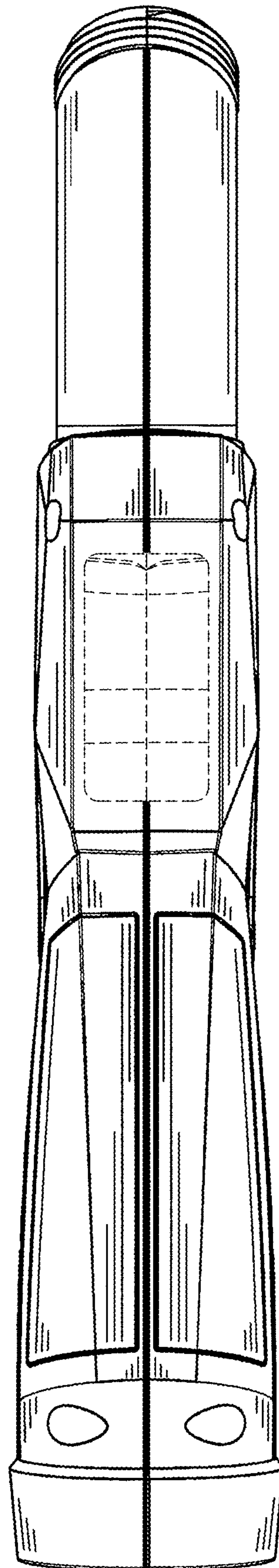


FIG. 4

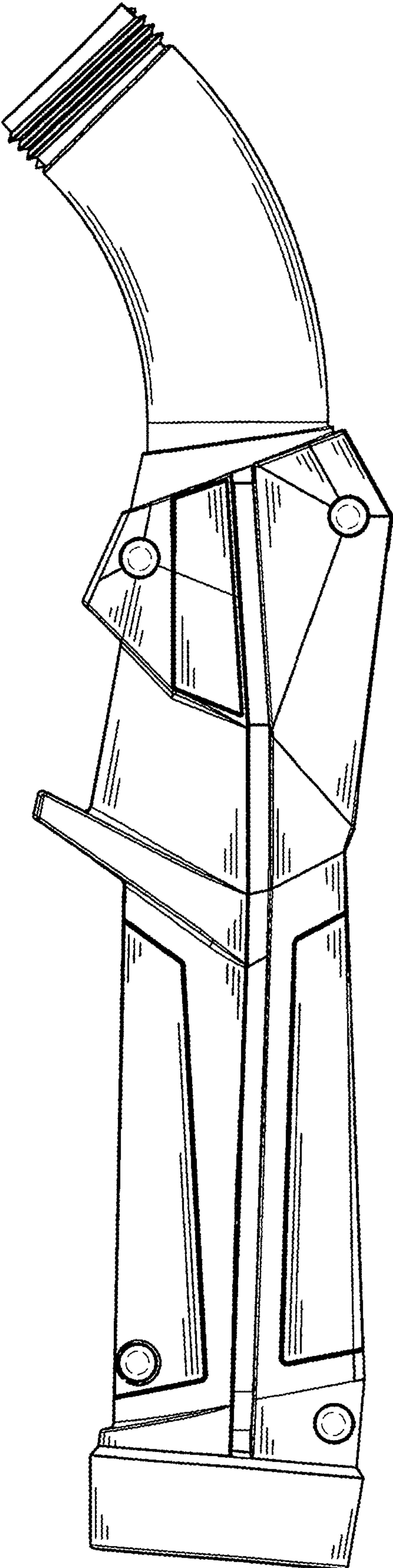
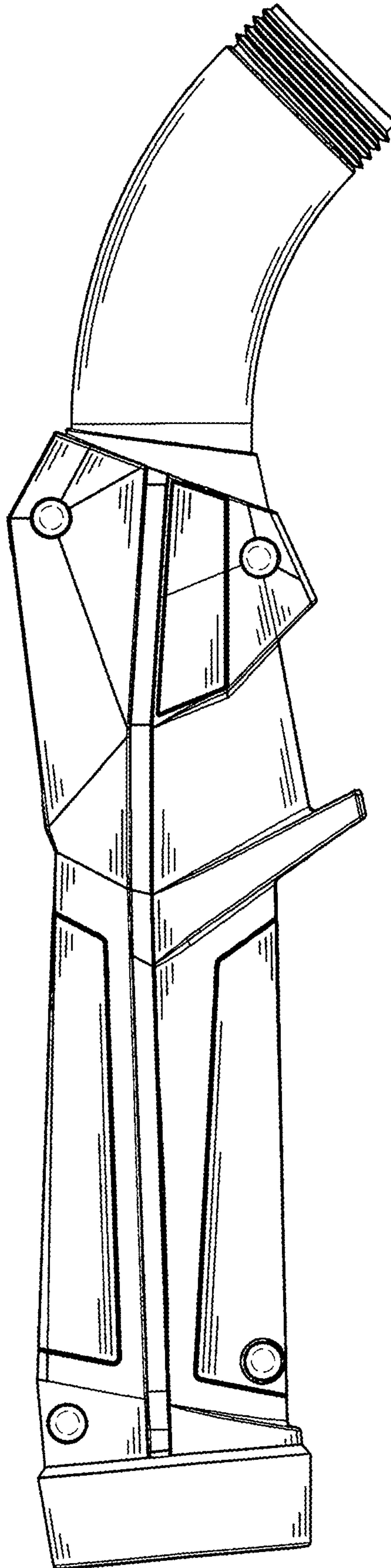


FIG. 5



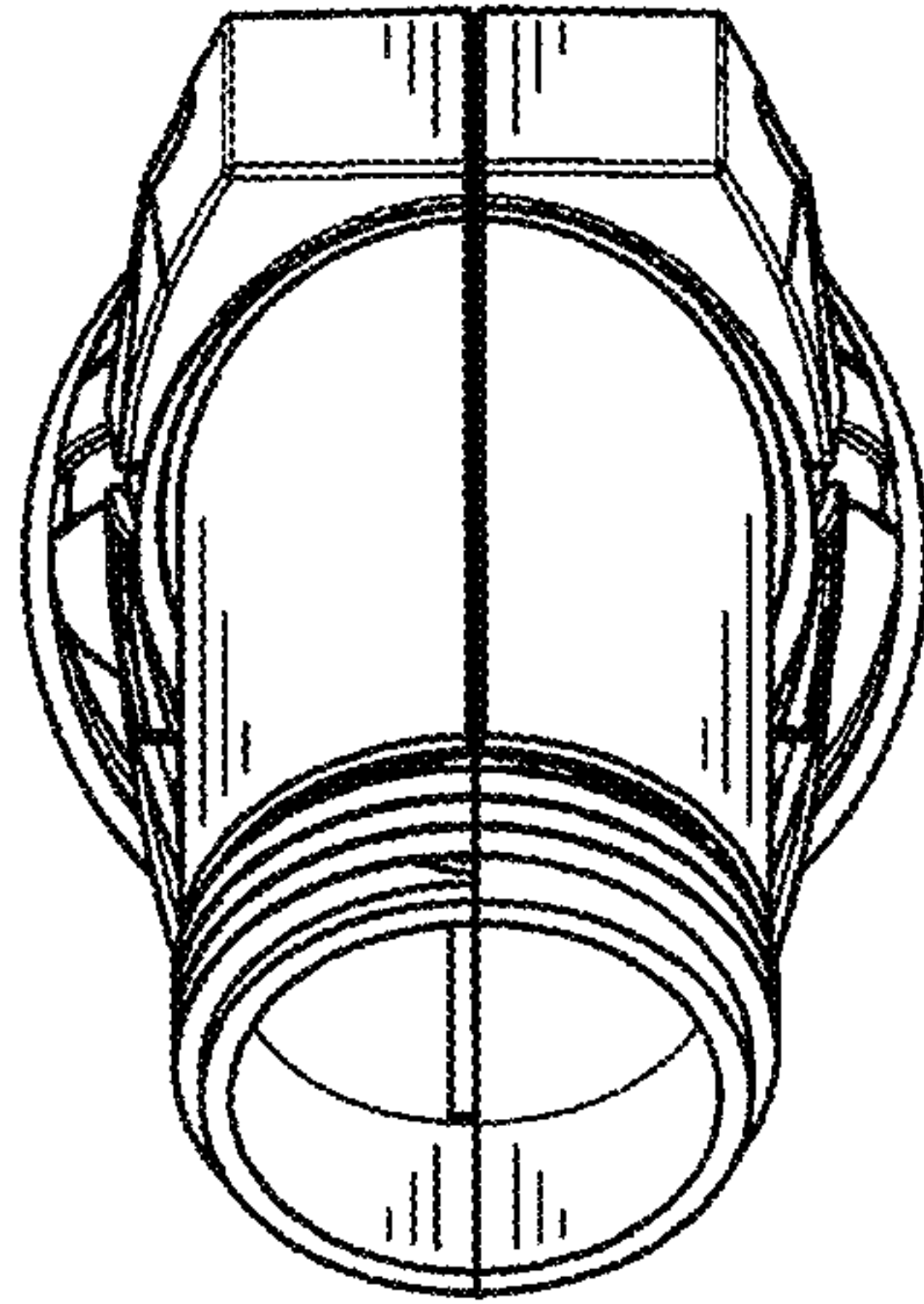


FIG. 6

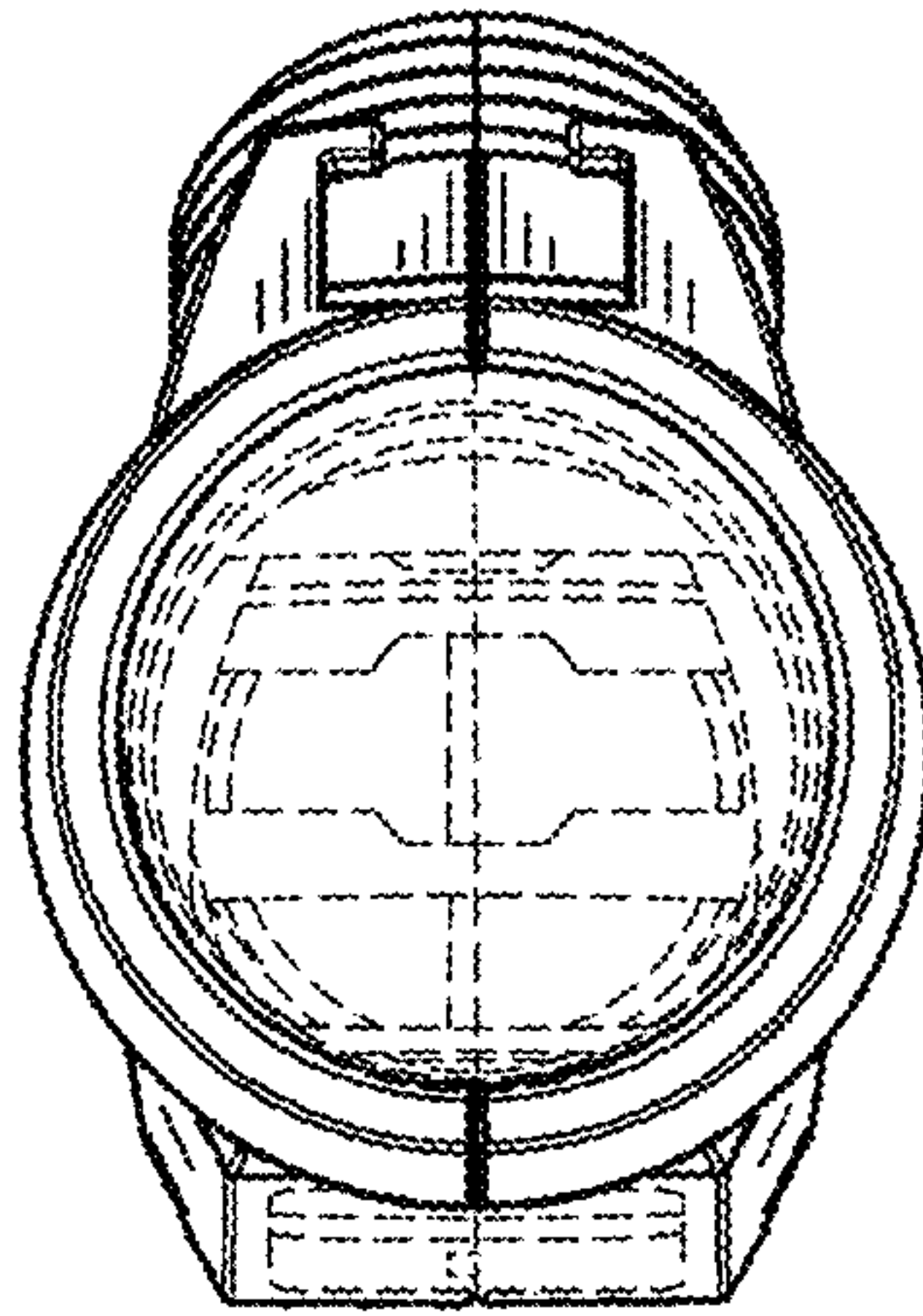


FIG. 7