



US00D983242S

(12) **United States Design Patent** (10) **Patent No.:** **US D983,242 S**  
**Ludwig et al.** (45) **Date of Patent:** **\*\* Apr. 11, 2023**

(54) **MILLING TOOL**

(71) Applicant: **Element Six GmbH**, Burghaun (DE)

(72) Inventors: **Michael Ludwig**, Burghaun (DE);  
**Markus Wingefeld**, Burghaun (DE)

(73) Assignee: **Element Six GmbH**, Burghaun (DE)

(\*\*) Term: **15 Years**

(21) Appl. No.: **35/514,106**

(22) Filed: **Oct. 18, 2021**

(80) **Hague Agreement Data**

Int. Filing Date: **Oct. 18, 2021**

Int. Reg. No.: **DM/218313**

Int. Reg. Date: **Oct. 18, 2021**

Int. Reg. Pub. Date: **Apr. 22, 2022**

(51) **LOC (14) Cl.** ..... **15-09**

(52) **U.S. Cl.**  
USPC ..... **D15/139**

(58) **Field of Classification Search**  
USPC ..... D15/21, 28, 29, 131–132, 138–140;  
D8/30, 74, 90, 98  
CPC ..... E21C 35/1831; E21C 35/1833; E21C  
35/1837; E21C 35/183; E21C 35/1933;  
E21B 10/48; E21B 29/00  
See application file for complete search history.

(56) **References Cited**

**U.S. PATENT DOCUMENTS**

- D166,544 S \* 4/1952 Loecy, Jr. .... D15/126
- D233,475 S \* 10/1974 Seffin ..... D15/139
- 4,324,300 A \* 4/1982 Logan, Jr. .... E21B 10/04  
175/391
- D520,035 S \* 5/2006 Kammerer ..... D15/139
- D566,137 S \* 4/2008 Hall ..... D15/21
- D581,952 S \* 12/2008 Hall ..... D15/21
- D585,918 S \* 2/2009 Chiang ..... D15/139
- D627,804 S \* 11/2010 Fader ..... D15/139
- D627,808 S \* 11/2010 Kammerer ..... D15/139

- D627,809 S \* 11/2010 Kammerer ..... D15/139
- D636,797 S \* 4/2011 Kammerer ..... D15/139
- D637,213 S \* 5/2011 Kammerer ..... D15/139
- D643,864 S \* 8/2011 Jackson ..... D15/140
- D725,164 S \* 3/2015 Guerriero ..... D15/139
- D742,948 S \* 11/2015 Kenno ..... D15/139
- D746,884 S \* 1/2016 Heilmeier ..... D15/139
- D920,401 S \* 5/2021 Congdon ..... D15/139
- D934,318 S \* 10/2021 Mills ..... D15/139
- D940,768 S \* 1/2022 Mills ..... D15/139
- D941,375 S \* 1/2022 Mills ..... D15/139
- D959,519 S \* 8/2022 Mills ..... D15/139
- D967,880 S \* 10/2022 Mills ..... D15/139
- D969,184 S \* 11/2022 Mills ..... D15/139
- D969,890 S \* 11/2022 Mills ..... D15/139

**OTHER PUBLICATIONS**

Simen. “Mine Cuttino Pick, Coal Miner Tool, Coal Miner Tooth”, (site visited Nov. 22, 2022), Simenrockbits.com website, URL:<<https://simenrockbits.com/mine-cutting-pickcoal-miner-toolcoal-miner-tooth/>> (Year: 2022).\*

\* cited by examiner

*Primary Examiner* — Calvin E Vansant

*Assistant Examiner* — Mark T. Philipps

(74) *Attorney, Agent, or Firm* — Kilpatrick Townsend & Stockton LLP

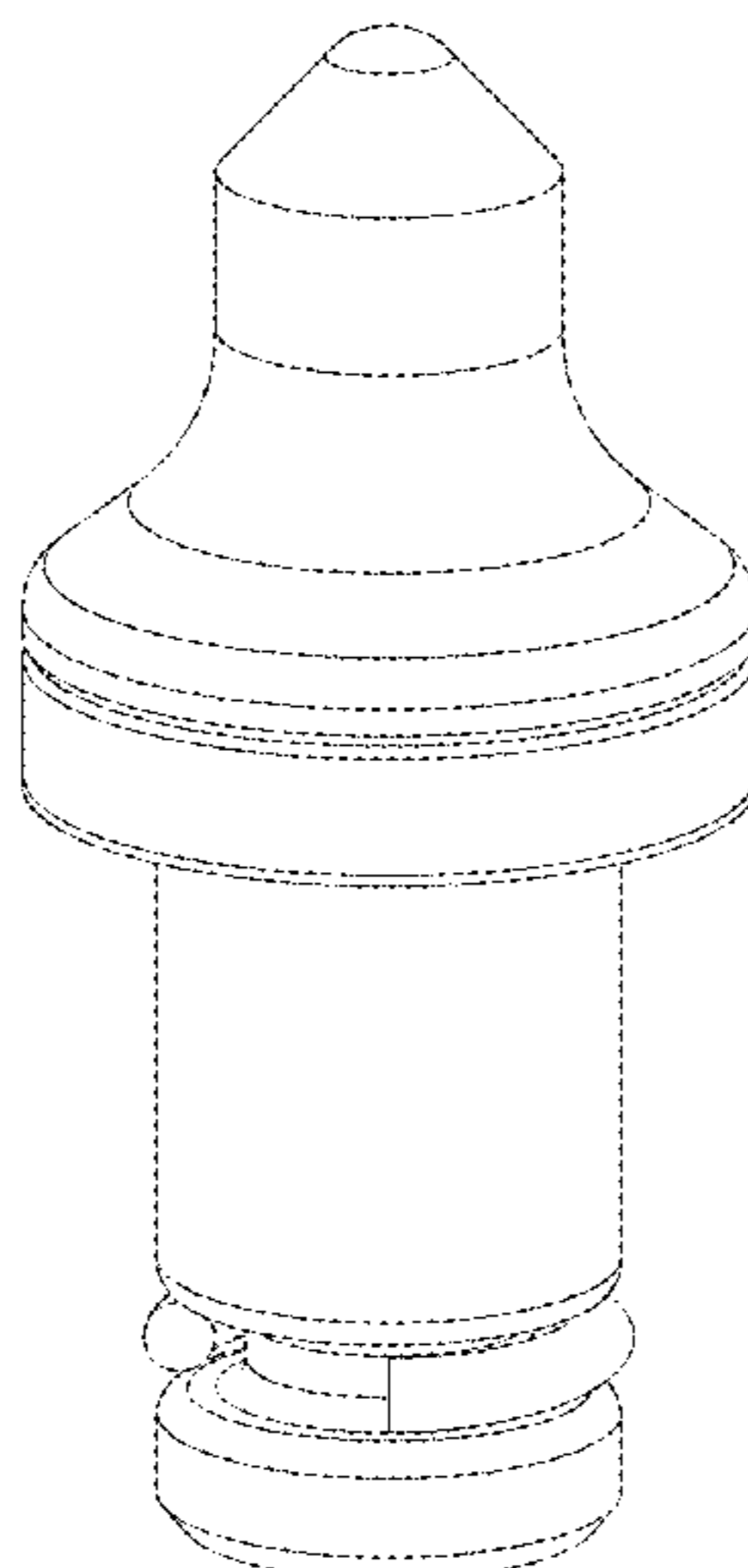
(57) **CLAIM**

The ornamental design for a milling tool, as shown and described.

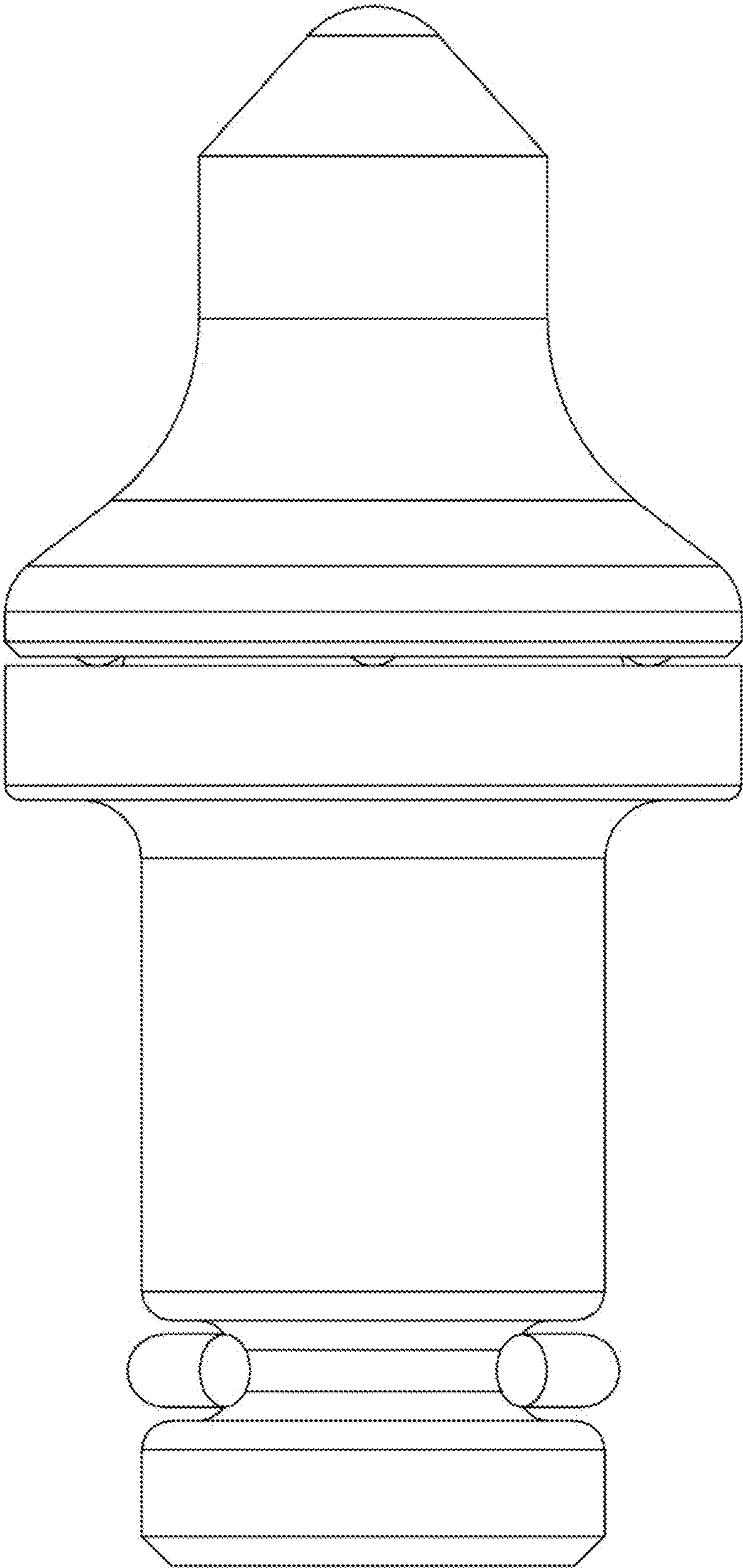
**DESCRIPTION**

- 1. Milling tool
- 1.1 is a front view.
- 1.2 is a right side view.
- 1.3 is a rear view.
- 1.4 is a bottom plan view.
- 1.5 is a top plan view.
- 1.6 is a left side view.
- 1.7 is a right front perspective view.

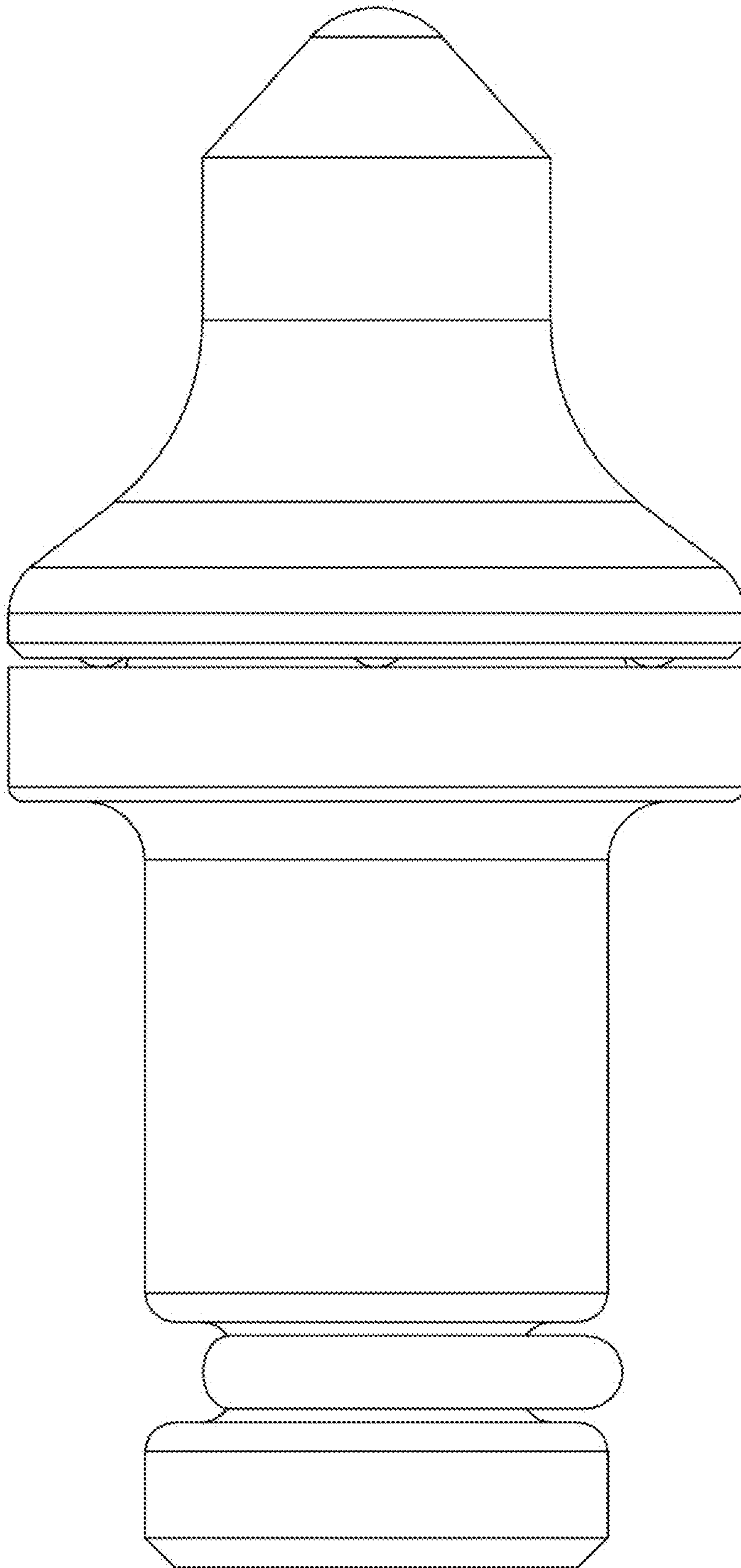
**1 Claim, 7 Drawing Sheets**



1.1

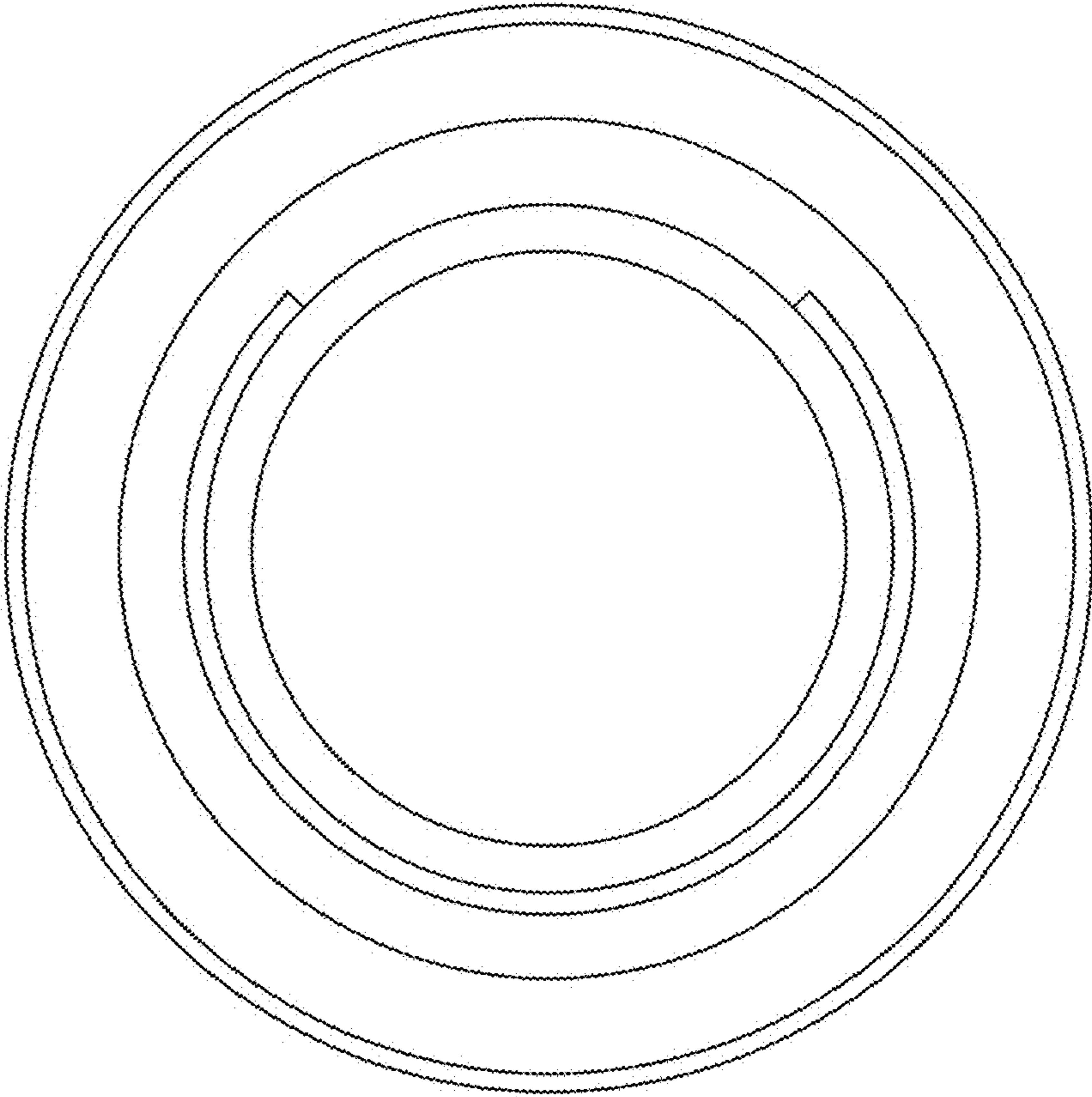


1.2

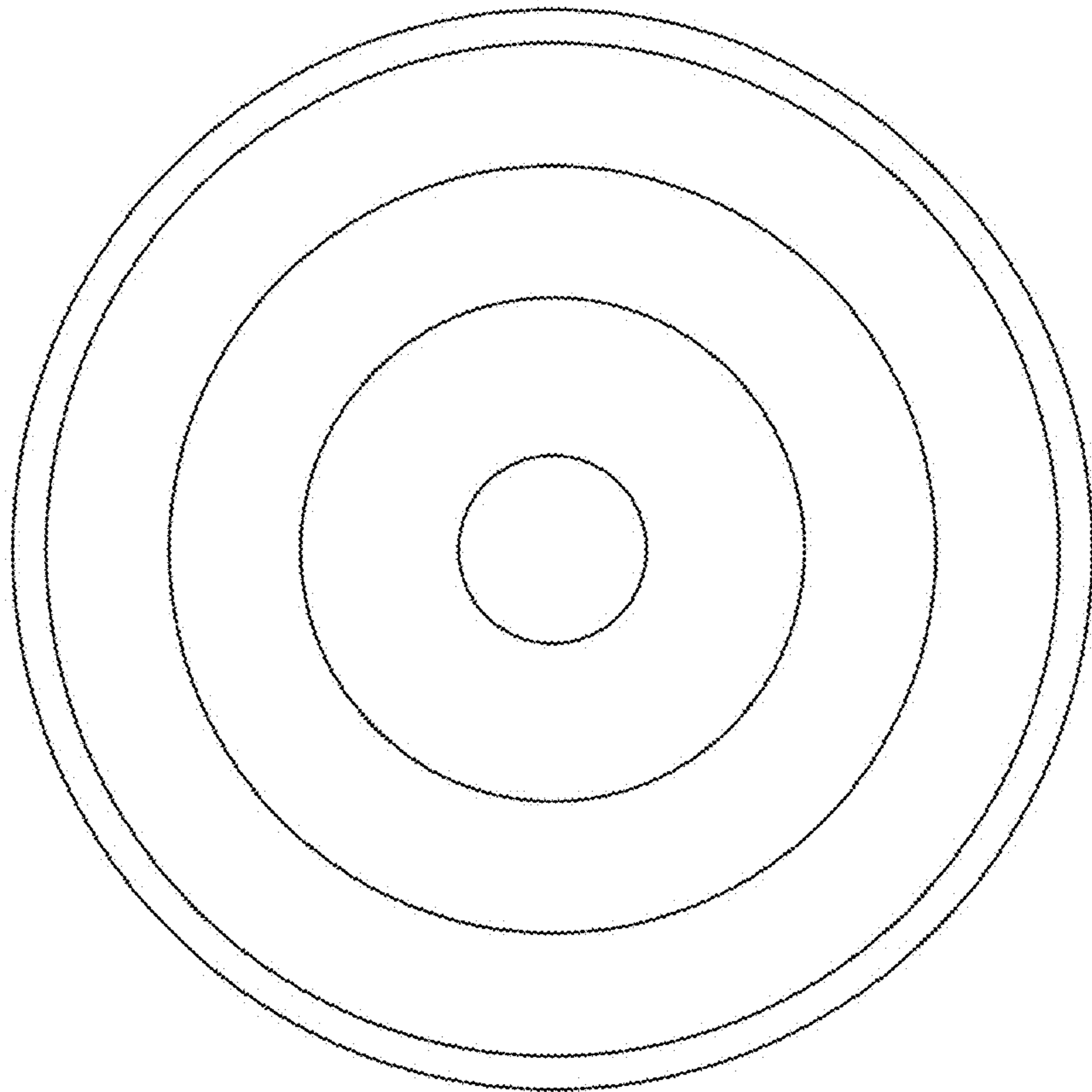




1.4

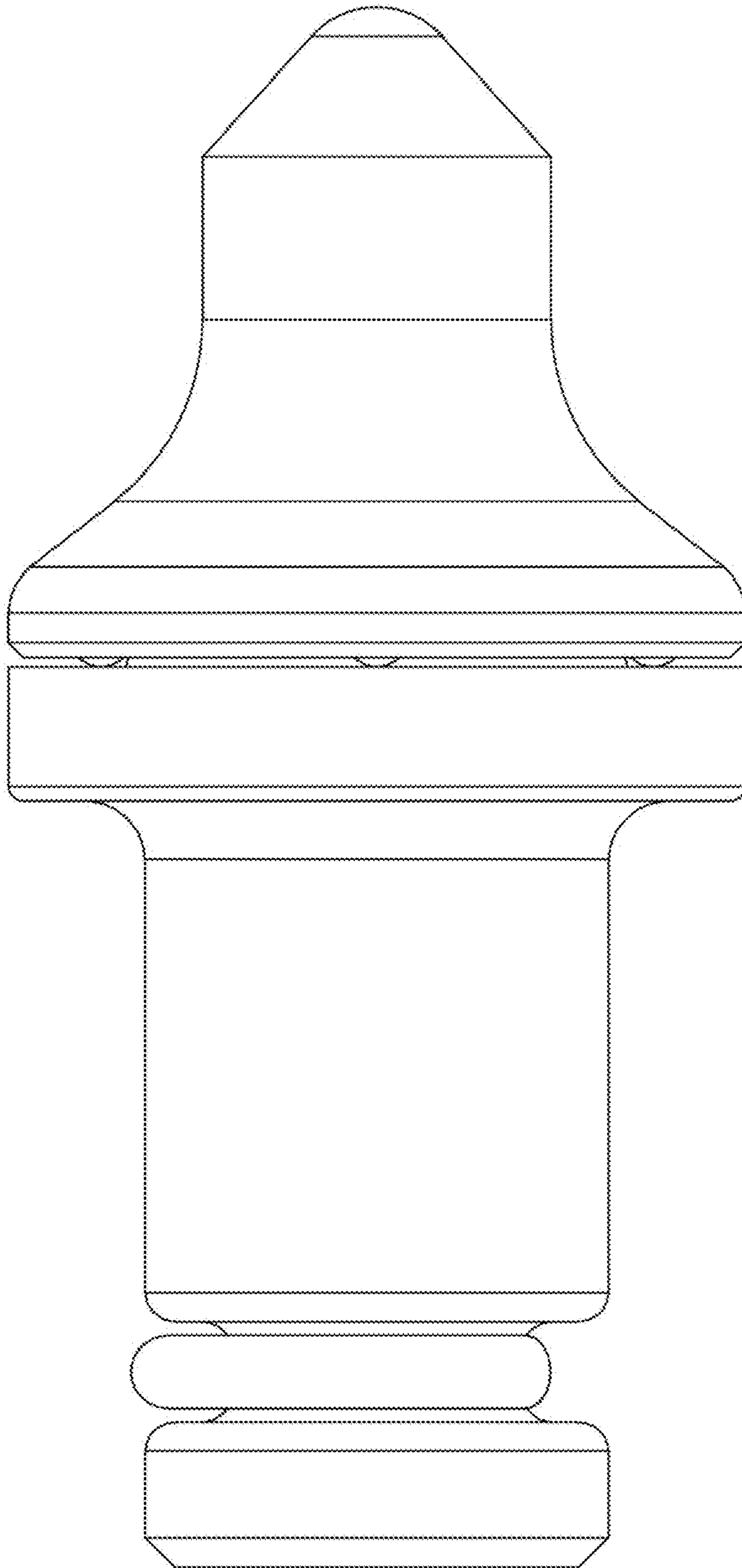


1.5

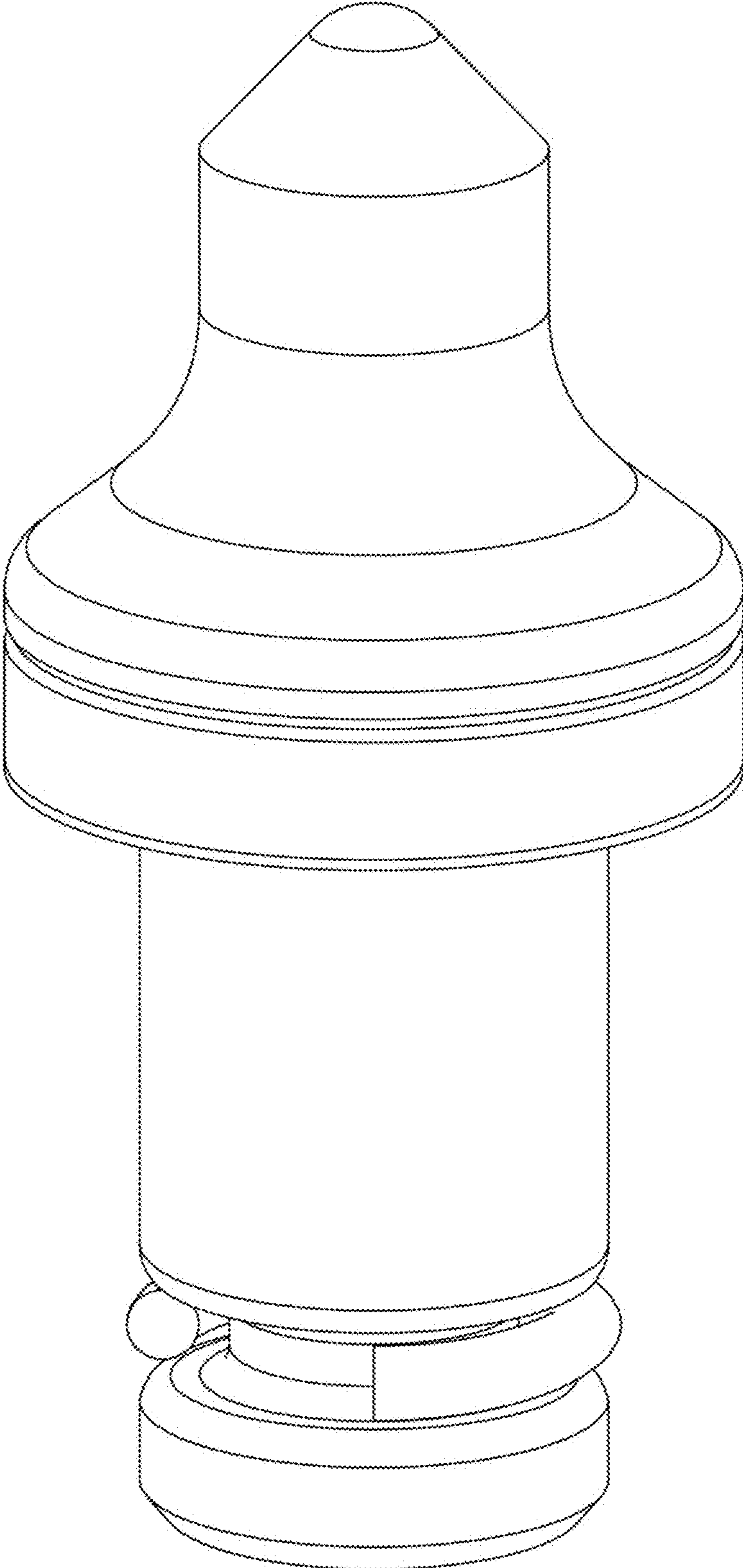




1.6



1.7





UNITED STATES PATENT AND TRADEMARK OFFICE  
**CERTIFICATE OF CORRECTION**

PATENT NO. : D983,242 S  
APPLICATION NO. : 35/514106  
DATED : April 11, 2023  
INVENTOR(S) : Michael Ludwig and Markus Wingenfeld

Page 1 of 1

It is certified that error appears in the above-identified patent and that said Letters Patent is hereby corrected as shown below:

On the Title Page

Add:

**Foreign Application Priority Data**

Apr. 21, 2021 (EM) ..... 008511083-0001

Signed and Sealed this  
Twenty-second Day of August, 2023  
*Katherine Kelly Vidal*

Katherine Kelly Vidal  
*Director of the United States Patent and Trademark Office*