



US00D983241S

(12) **United States Design Patent**  
**Inkster et al.**

(10) **Patent No.:** **US D983,241 S**  
(45) **Date of Patent:** **\*\* Apr. 11, 2023**

(54) **ROTARY CARVING TOOL**  
(71) Applicant: **Arbortech Industries Limited**, Malaga (AU)  
(72) Inventors: **Kevin Ross Inkster**, Malaga (AU); **Benjamin Timothy Inkster**, Malaga (AU); **Glen Michael Humphries**, Malaga (AU)

D447,157 S 8/2001 Sasaki et al.  
D555,683 S 11/2007 Sakata et al.  
D587,978 S 3/2009 Aglassinger  
D630,233 S 1/2011 Ford et al.  
D631,069 S 1/2011 Ford et al.  
D650,650 S 12/2011 Chen  
D656,611 S 3/2012 Garcia et al.  
D656,612 S 3/2012 Garcia et al.  
8,166,851 B2 5/2012 Pchola et al.  
D670,148 S 11/2012 Wang  
(Continued)

(73) Assignee: **Arbortech Industries Limited**  
(\*\*) Term: **15 Years**

(21) Appl. No.: **29/754,236**

(22) Filed: **Oct. 8, 2020**

(30) **Foreign Application Priority Data**

Apr. 9, 2020 (AU) ..... 202012179

(51) **LOC (14) Cl.** ..... **15-09**

(52) **U.S. Cl.**  
USPC ..... **D15/139**

(58) **Field of Classification Search**  
USPC ..... D15/130, 139; D8/8, 61  
CPC ... B24D 41/002; B44B 2700/04; B24B 47/12;  
B24B 47/16  
See application file for complete search history.

(56) **References Cited**

**U.S. PATENT DOCUMENTS**

2,202,251 A 5/1940 Gille  
2,960,712 A 11/1960 Hayer  
3,128,988 A 4/1964 Mandroian  
D236,020 S 7/1975 Wachter et al.  
D285,343 S 8/1986 Duarte-Martins, Jr.  
4,692,073 A 9/1987 Martindell  
5,145,016 A 9/1992 Estes  
D330,207 S 10/1992 Andrews  
D340,248 S 10/1993 Brady  
D372,253 S 7/1996 Huffstutler  
D384,084 S 9/1997 Huffstutler et al.  
D424,579 S 5/2000 Brady

**OTHER PUBLICATIONS**

Arbortech PCS.FG.1000—Precision Carving System, available on [www.mytoolstore.com.au](http://www.mytoolstore.com.au), available Apr. 4, 2018 [online], [site visited Jun. 13, 2022], Retrieved from: <https://www.mytoolstore.com.au/products/Arbortech-PCS.FG.1000-%252d-Precision-Carving-System.html> (Year: 2018).\*

(Continued)

*Primary Examiner* — Calvin E Vansant  
*Assistant Examiner* — Eidiol Ghigliotty Torres  
(74) *Attorney, Agent, or Firm* — Taylor English Duma LLP

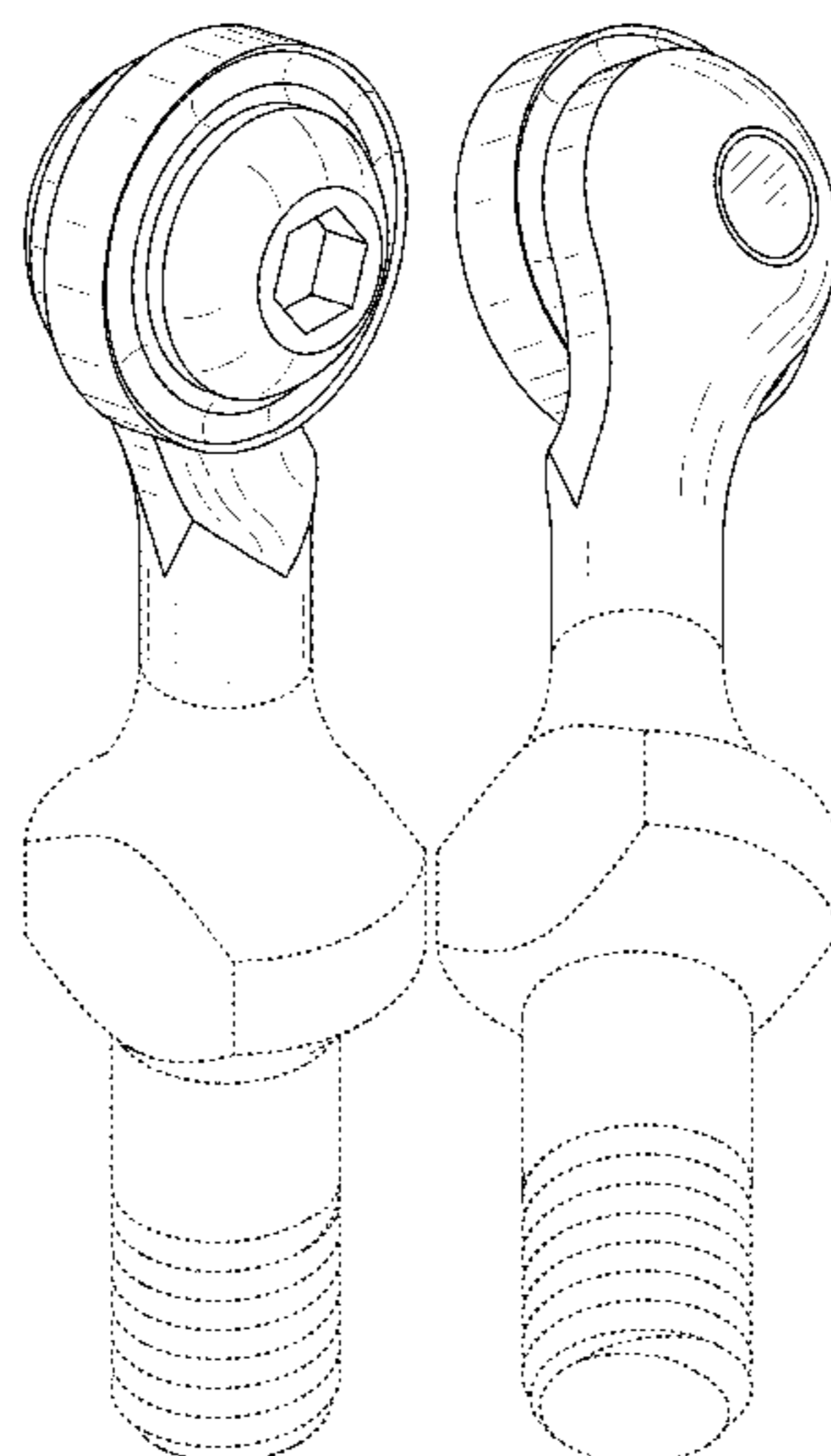
(57) **CLAIM**

We claim the ornamental design for a rotary carving tool, as shown and described.

**DESCRIPTION**

FIG. 1 is a left side elevation view of the claimed design; FIG. 2 is a front elevation view thereof; FIG. 3 is a right side elevation view thereof; FIG. 4 is a rear elevation view thereof; FIG. 5 is a top plan view thereof; FIG. 6 is a bottom plan view thereof; FIG. 7 is a top left perspective view thereof; and, FIG. 8 is a bottom right perspective view thereof. Those features of the rotary carving tool shown in broken lines form no part of the claimed design.

**1 Claim, 8 Drawing Sheets**



(56)

**References Cited**

U.S. PATENT DOCUMENTS

D692,742	S	11/2013	Wenchel
D806,147	S	12/2017	Inkster
D872,142	S	1/2020	Lyon
10,562,109	B2	2/2020	Hammond, Jr. et al.
D883,062	S	5/2020	Wu
10,723,041	B2	7/2020	Wang
D891,886	S	8/2020	Lai
10,731,420	B2	8/2020	Dahlgren et al.
10,821,522	B2	11/2020	Giffin
D915,479	S	4/2021	Inkster
2012/0267865	A1	10/2012	Hsu
2020/0217141	A1	7/2020	Chen et al.

OTHER PUBLICATIONS

Google search image with product disclosure on-sale date. (Year: 2018).\*

Arbortech, The Ball Gouge, (site visited Aug. 13, 2020), Arbortech.com, URL:<<https://www.arbortechtools.com/us/ball-gouge/>> (Year: 2020).

Eazypower, Ball Shaped Rotary Rasp, 5/8 in., (site visited Aug. 13, 2020), Grainger.com, U RL:<<https://www.grainger.com/product/29UH94>> (Year: 2020).

Inkster, Kevin Ross; Ex Parte Quayle Action for Design U.S. Appl. No. 29/624,599, filed Nov. 2, 2017, dated Aug. 20, 2020, 9 pgs.

Inkster, Kevin Ross; Notice of Allowance for Design U.S. Appl. No. 29/624,599, filed Nov. 2, 2017, dated Dec. 9, 2020, 5 pgs.

Inkster, Kevin Ross; Non-Final Office Action for U.S. Appl. No. 29/754,241, filed Oct. 8, 2020, dated Mar. 1, 2022, 17 pgs.

Inkster, Kevin Ross; Ex Parte Quayle Action for Design U.S. Appl. No. 29/754,241, filed Oct. 8, 2020, mailed Jul. 5, 2022, 5 pgs.

Inkster, Kevin Ross; Notice of Allowance for U.S. Appl. No. 29/754,241, filed Oct. 8, 2020, dated Aug. 15, 2022, 5 pgs.

\* cited by examiner

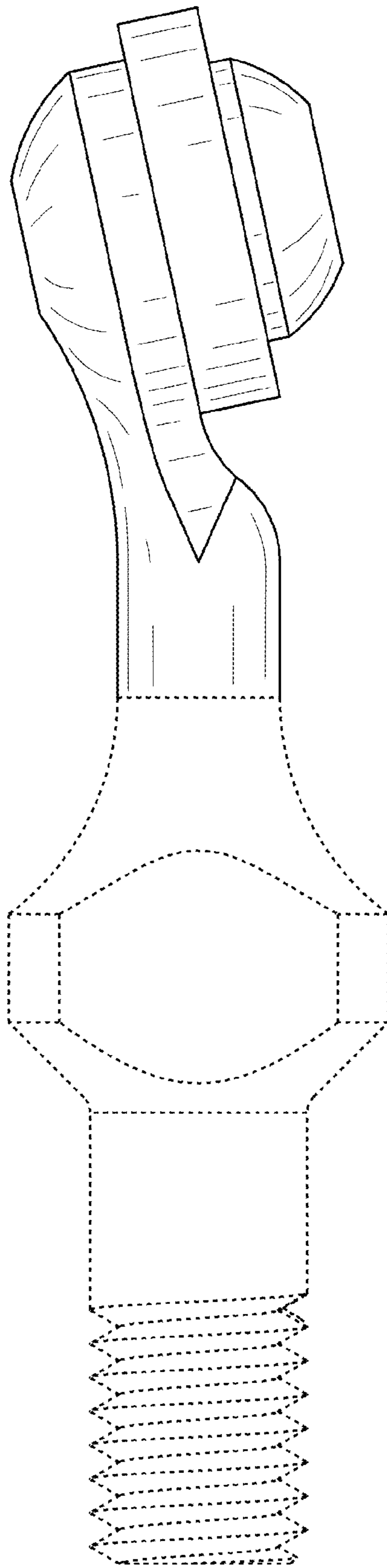


Fig. 1

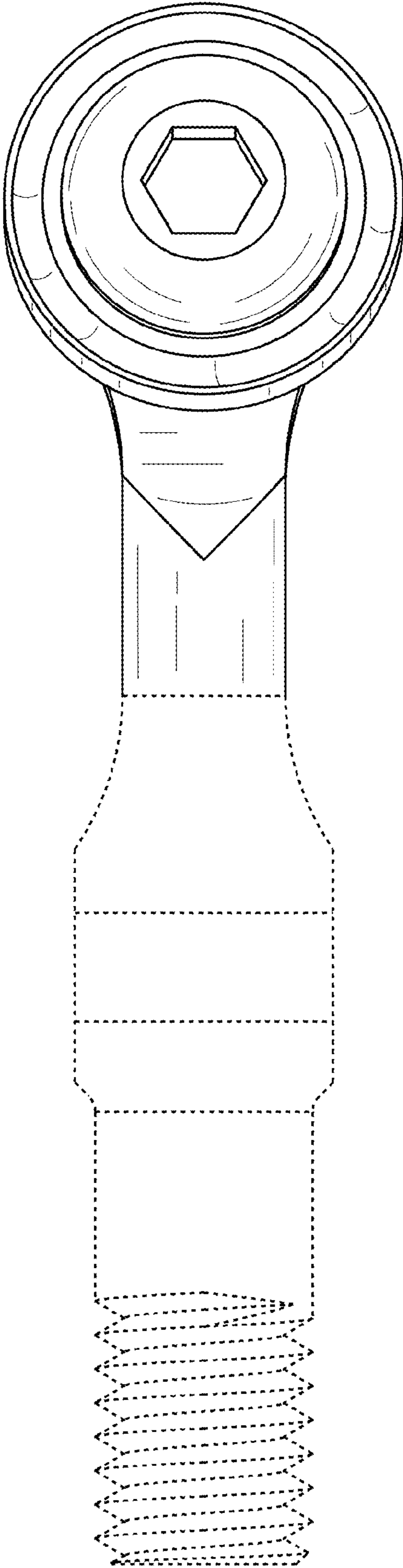


Fig. 2

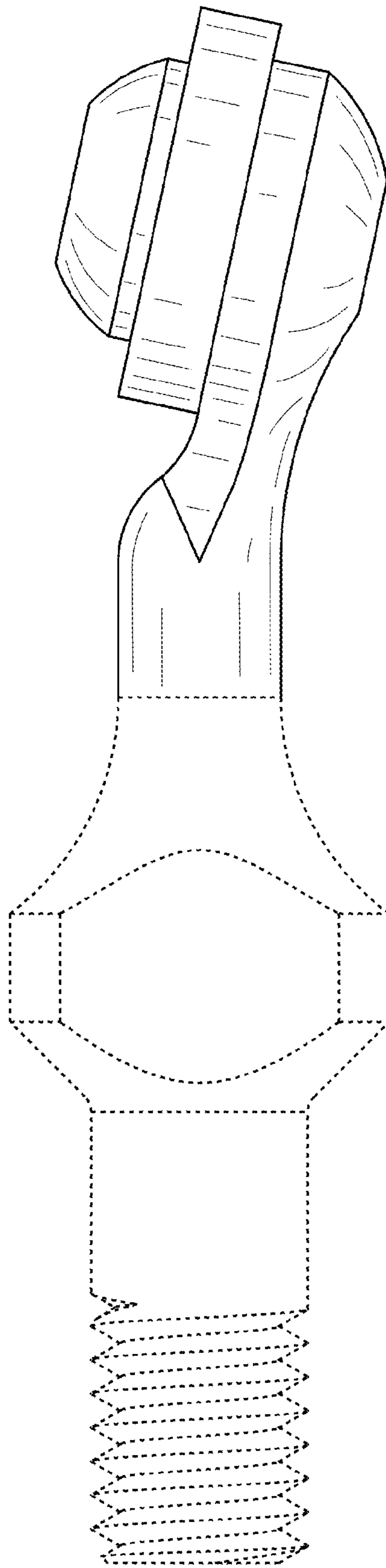


Fig. 3

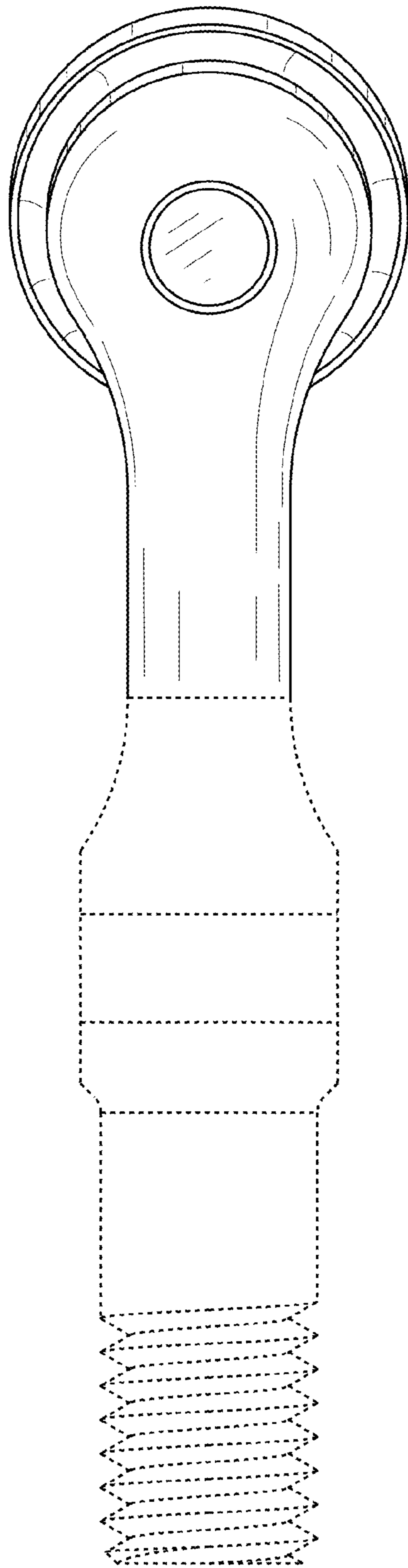


Fig. 4

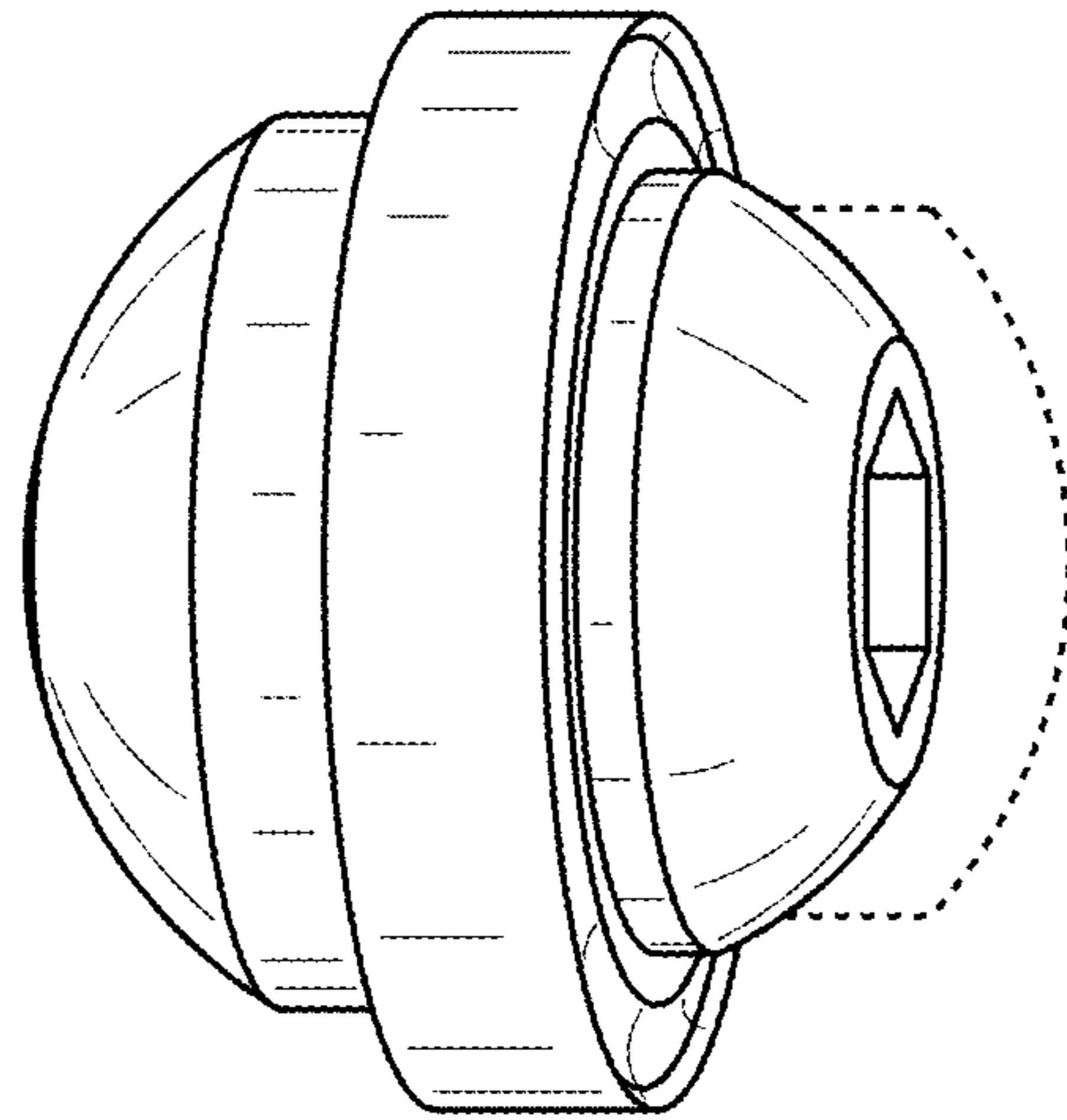


Fig. 5

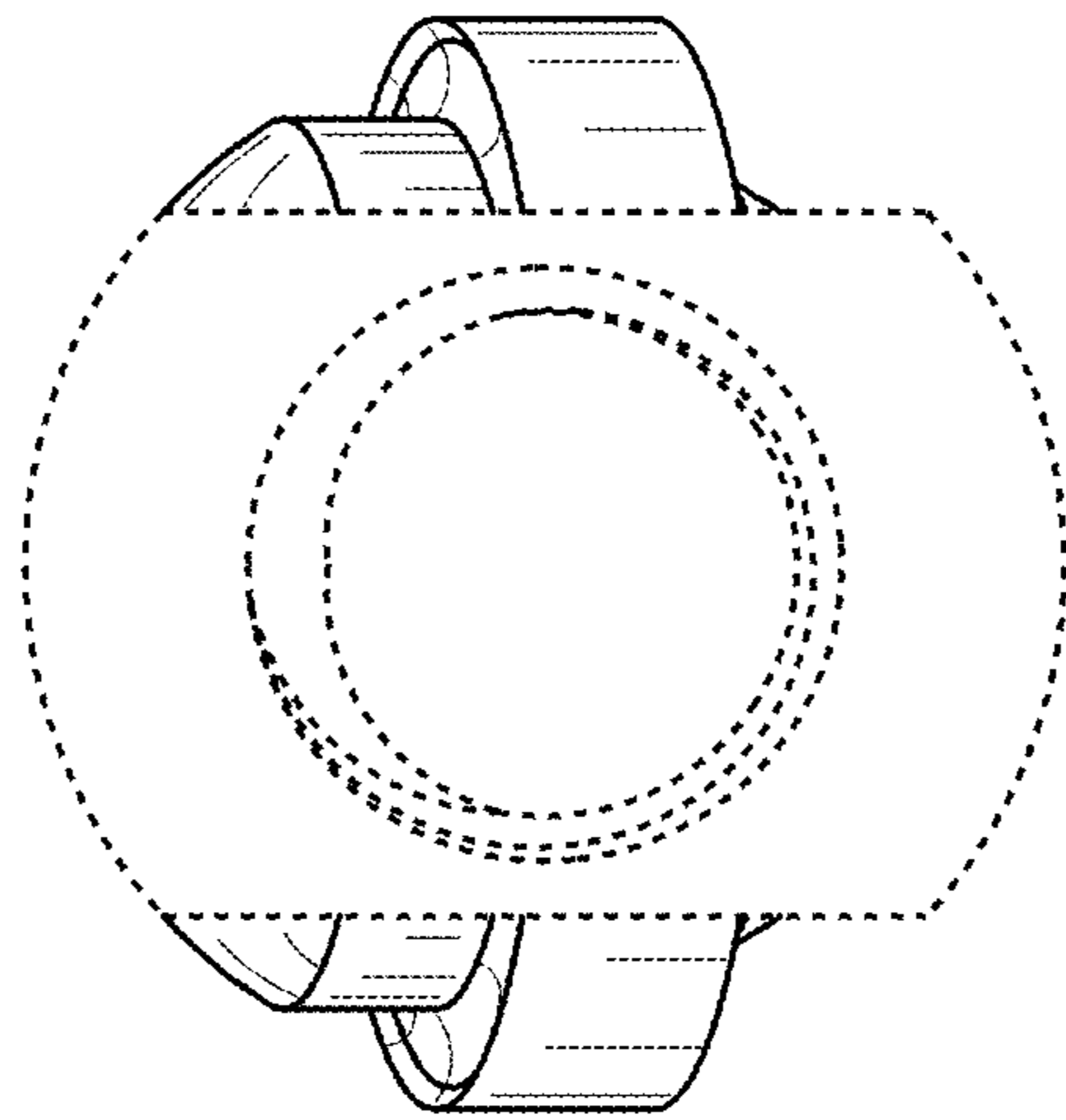


Fig. 6



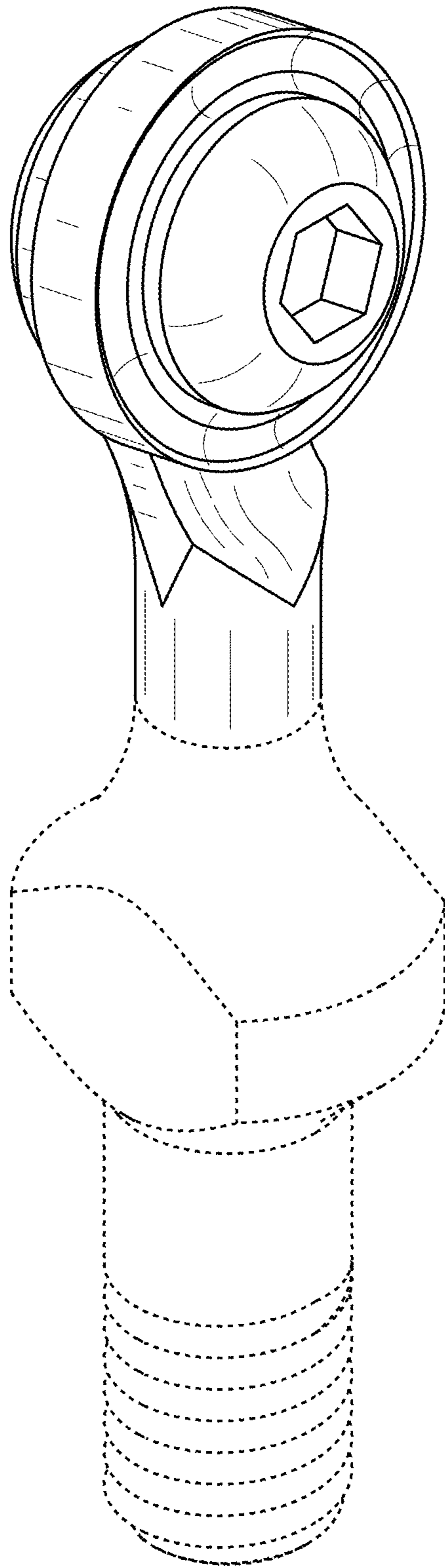


Fig. 7

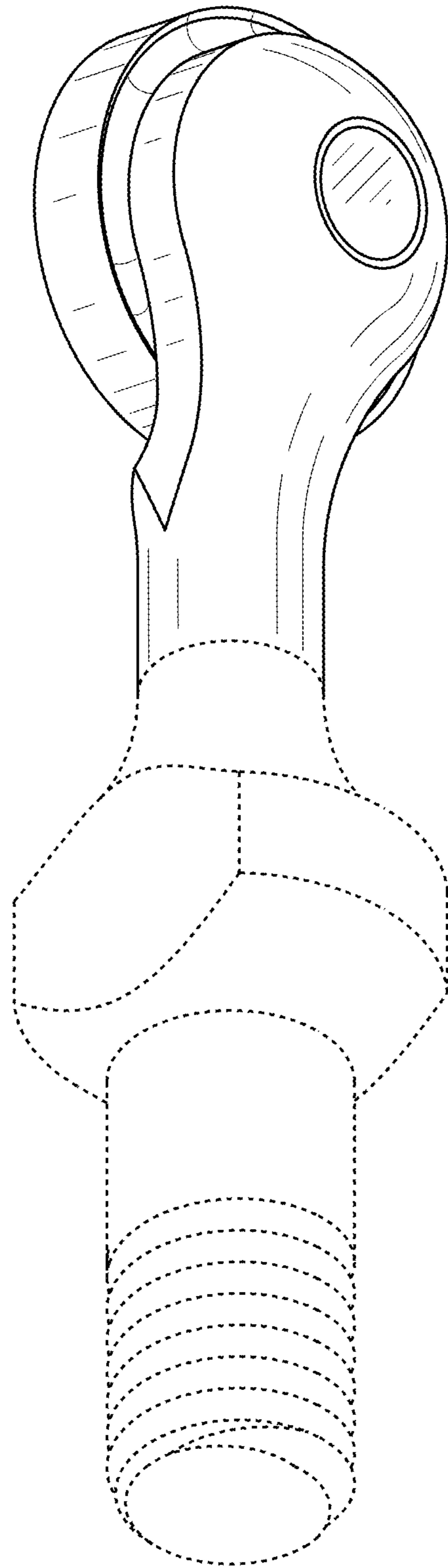


Fig. 8