



US00D983240S

(12) **United States Design Patent**  
**Sakazaki et al.**

(10) **Patent No.:** **US D983,240 S**  
(45) **Date of Patent:** **\*\* Apr. 11, 2023**

(54) **SOFT MOLD TRANSFER CONTAINER**

(71) Applicant: **FUJIFILM Corporation**, Tokyo (JP)

(72) Inventors: **Yoshiki Sakazaki**, Ashigarakami-gun (JP); **Toshihiro Usa**, Ashigarakami-gun (JP)

(73) Assignee: **FUJIFILM Corporation**, Tokyo (JP)

(\*\*) Term: **15 Years**

(21) Appl. No.: **29/697,623**

(22) Filed: **Jul. 10, 2019**

(30) **Foreign Application Priority Data**

Jan. 11, 2019 (JP) ..... 2019-000492

(51) **LOC (14) Cl.** ..... **15-09**

(52) **U.S. Cl.**  
USPC ..... **D15/136**

(58) **Field of Classification Search**  
USPC ..... D24/100, 108, 112, 130, 232; D8/71, D8/383, 396, 397, 399; D9/435, 445,  
(Continued)

(56) **References Cited**

**U.S. PATENT DOCUMENTS**

4,208,154 A \* 6/1980 Gundy ..... B28D 1/041  
125/20  
D308,011 S \* 5/1990 Norris ..... D8/382  
(Continued)

**OTHER PUBLICATIONS**

Integrity Cosmetic Container Industrial Co., J-50g Sifter, (site visited Jan. 23, 2023), ispackag.com website, URL:<<https://www.ispackage.com/sifter/J-50g.html>> (Year: 2023).\*

*Primary Examiner* — Calvin E Vansant

*Assistant Examiner* — Mark T. Philipps

(74) *Attorney, Agent, or Firm* — Birch, Stewart, Kolasch & Birch, LLP

(57) **CLAIM**

The ornamental design for a soft mold transfer container, as shown and described.

**DESCRIPTION**

FIG. 1 is a top, front and right side perspective view of a soft mold transfer container in accordance with my new design; FIG. 2 is a bottom, rear and left side perspective view thereof;

FIG. 3 is a front elevational view thereof;

FIG. 4 is a rear elevational view thereof;

FIG. 5 is a top plan view thereof;

FIG. 6 is a bottom plan view thereof;

FIG. 7 is a right side elevational view thereof;

FIG. 8 is a cross-sectional view thereof taken along line VIII-VIII of FIG. 5;

FIG. 9 is a cross-sectional view thereof taken along line IX-IX of FIG. 5;

FIG. 10 is a top, front and right side perspective view thereof in a manner of use, a soft mold being placed on a mounting surface;

FIG. 11 is a top, front and right side perspective view thereof in a manner of use, the soft mold being placed on the mounting surface and the present article positioned by a chuck, for filling the soft mold with a medicine is performed;

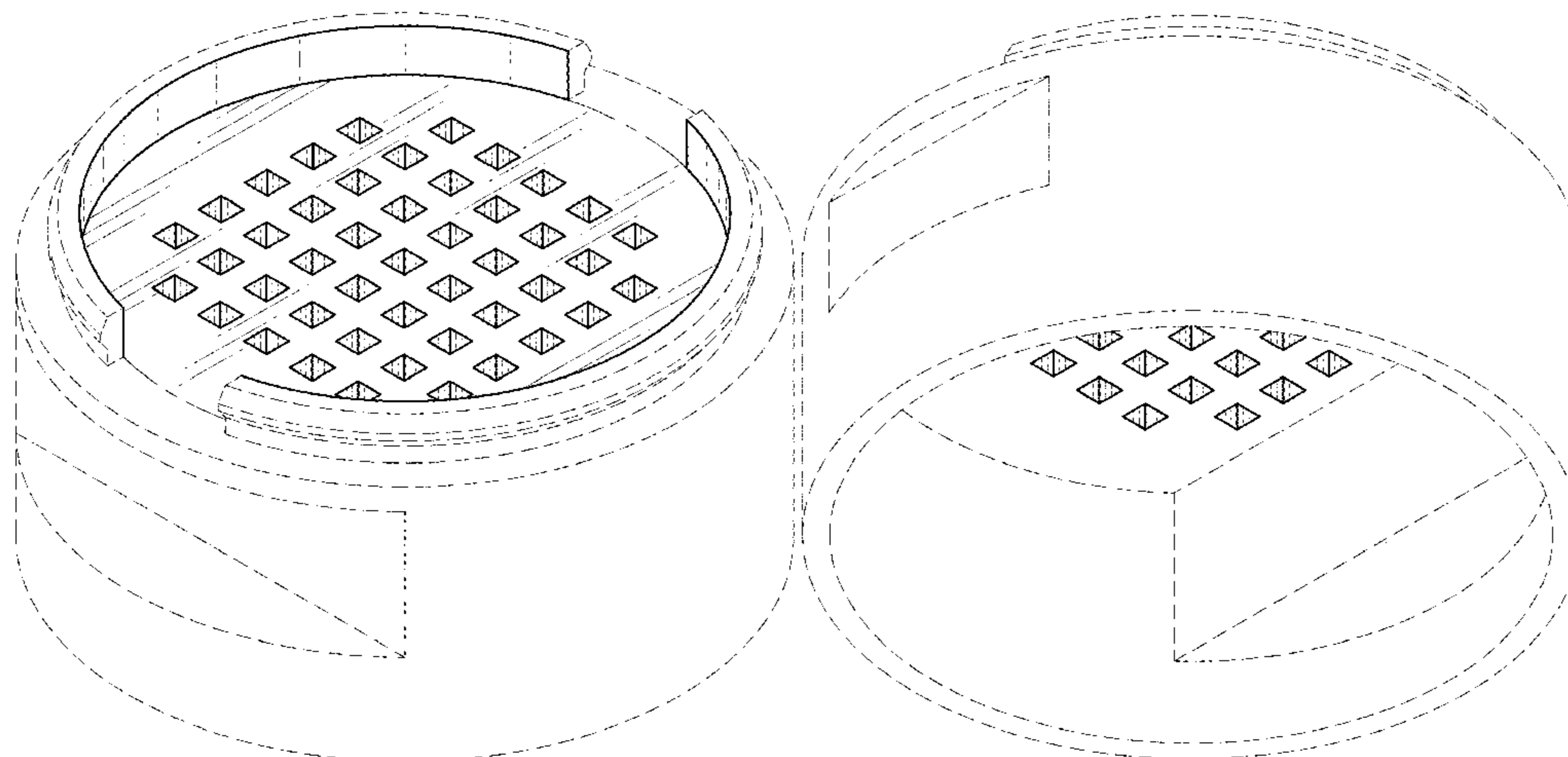
FIG. 12 is a top, front and right side perspective view thereof in a manner of use, in a state where the soft mold is housed in the present article and a lid, for drying the filled medicine;

FIG. 13 is a cross-sectional view thereof in a manner of use, in a state where the soft mold is housed in the present article and the lid, for drying the filled medicine; and,

FIG. 14 is a top, front and right side perspective view thereof in a manner of use, the lid is detached from the present article, and a microneedle array is released from the soft mold.

The broken lines depict portions of the soft mold transfer container in which the design is embodied that form no part

(Continued)



of the claimed design. Additionally, the dash-dot lines denote the boundary of the claim and form no part of the claimed design.

**1 Claim, 14 Drawing Sheets**

(58) **Field of Classification Search**

USPC ..... D9/452, 453; D7/672; D15/123, 128, D15/135, 136, 138, 139, 140, 143; D28/8, 82, 84, 91

CPC ..... B29C 33/20; B29C 33/424; B29C 39/26; B29C 39/026; A61M 37/0015

See application file for complete search history.

(56) **References Cited**

U.S. PATENT DOCUMENTS

D342,270 S \* 12/1993 Kwang ..... D15/139  
 D356,320 S \* 3/1995 Catalanotti ..... D15/138  
 D364,882 S \* 12/1995 Junkers ..... D15/199  
 D373,291 S \* 9/1996 Auken ..... D8/1  
 D391,628 S \* 3/1998 Carwile ..... D23/269  
 D419,399 S \* 1/2000 Couto ..... D7/678  
 D466,139 S \* 11/2002 Kim ..... D15/139  
 D469,117 S \* 1/2003 Pinchot ..... D15/139  
 D472,252 S \* 3/2003 Pinchot ..... D15/139  
 D497,376 S \* 10/2004 Pinchot ..... D15/139

D510,509 S \* 10/2005 Graves ..... D7/678  
 D549,393 S \* 8/2007 Jackel-Marken ..... D28/91  
 D642,089 S \* 7/2011 Chan ..... D11/220  
 8,006,707 B2 \* 8/2011 Thorpe ..... A45D 33/16  
 132/307  
 D669,747 S \* 10/2012 Scharf ..... A47J 43/25  
 D7/678  
 D726,513 S \* 4/2015 Zila ..... D7/672  
 D728,420 S \* 5/2015 Leung ..... D11/220  
 D732,480 S \* 6/2015 Makinen ..... D13/149  
 D735,033 S \* 7/2015 Lynd ..... D9/435  
 D739,233 S \* 9/2015 Antal, Sr. .... D9/435  
 9,500,036 B2 \* 11/2016 Pearce ..... E21B 10/02  
 D802,407 S \* 11/2017 Foerster, Jr. .... D8/387  
 D803,171 S \* 11/2017 Sharma ..... D13/182  
 D820,086 S \* 6/2018 Lynd ..... D9/454  
 D823,907 S \* 7/2018 Hoop ..... D15/138  
 D827,204 S \* 8/2018 Lee ..... D28/84  
 D830,432 S \* 10/2018 Martino ..... D15/136  
 D831,082 S \* 10/2018 Hoop ..... D15/138  
 D885,880 S \* 6/2020 Li ..... D8/397  
 10,702,975 B2 \* 7/2020 Pearce ..... C22C 49/00  
 D893,748 S \* 8/2020 Yetkinler ..... D24/230  
 D914,492 S \* 3/2021 Linder ..... D8/399  
 D925,345 S \* 7/2021 Slocum ..... D23/262  
 D950,847 S \* 5/2022 Harthoorn ..... D27/195  
 2007/0128994 A1 \* 6/2007 Sung ..... B24D 18/0009  
 451/540  
 2018/0243839 A1 \* 8/2018 Wielandts ..... B23B 31/28  
 2019/0351588 A1 \* 11/2019 Sakazaki ..... B29C 33/20

\* cited by examiner

FIG. 1

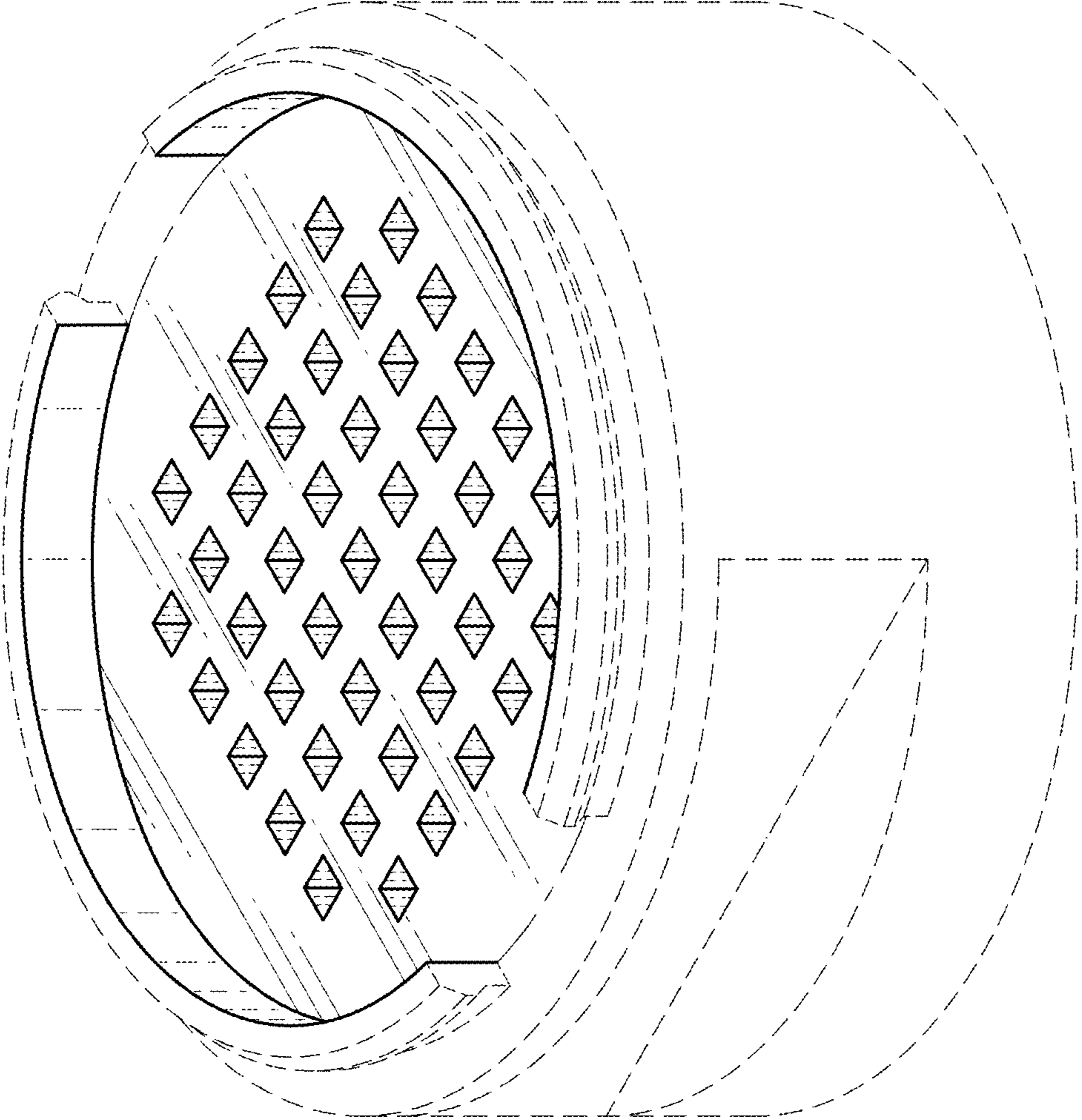




FIG. 2

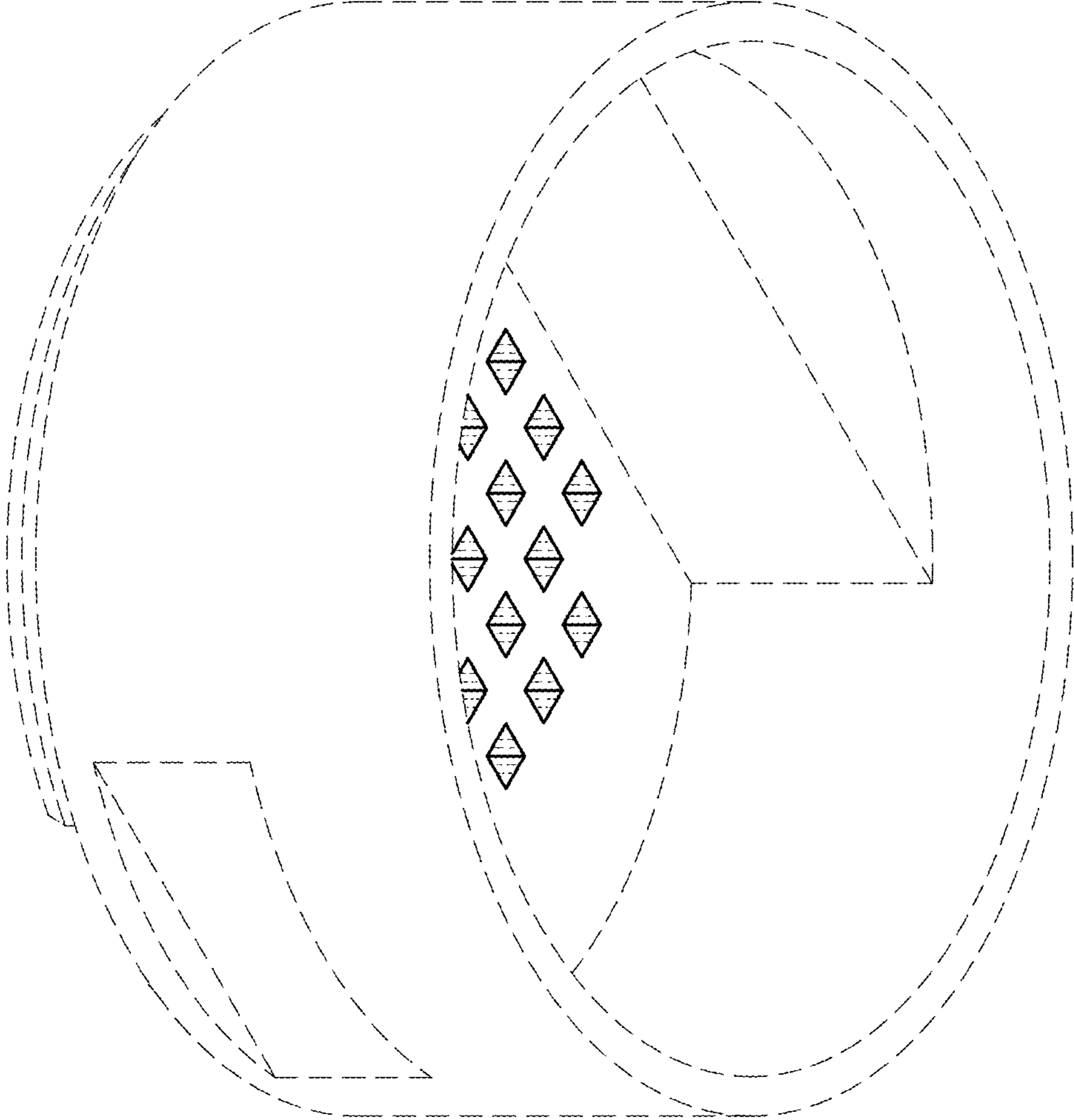


FIG. 3



FIG. 4

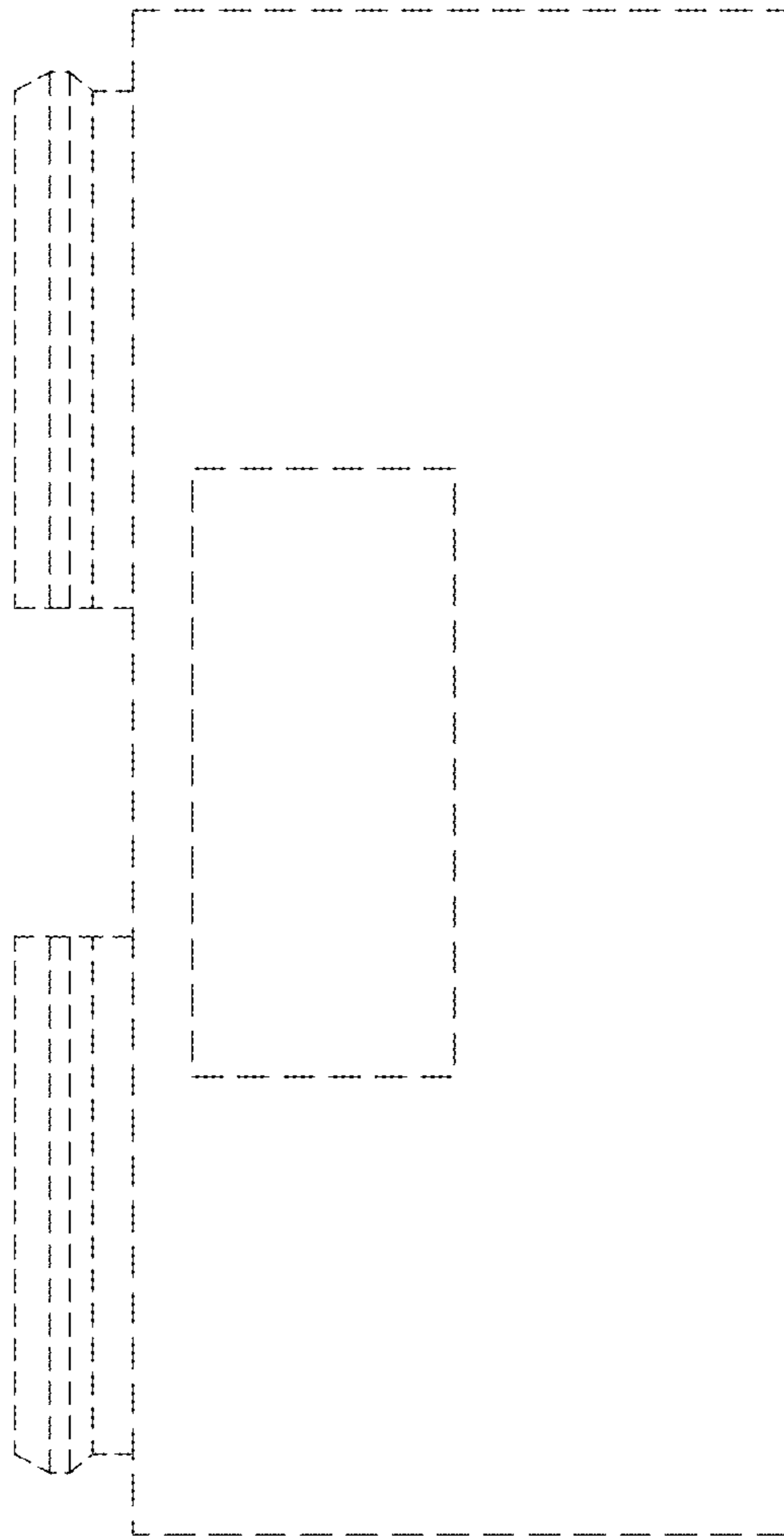


FIG. 5

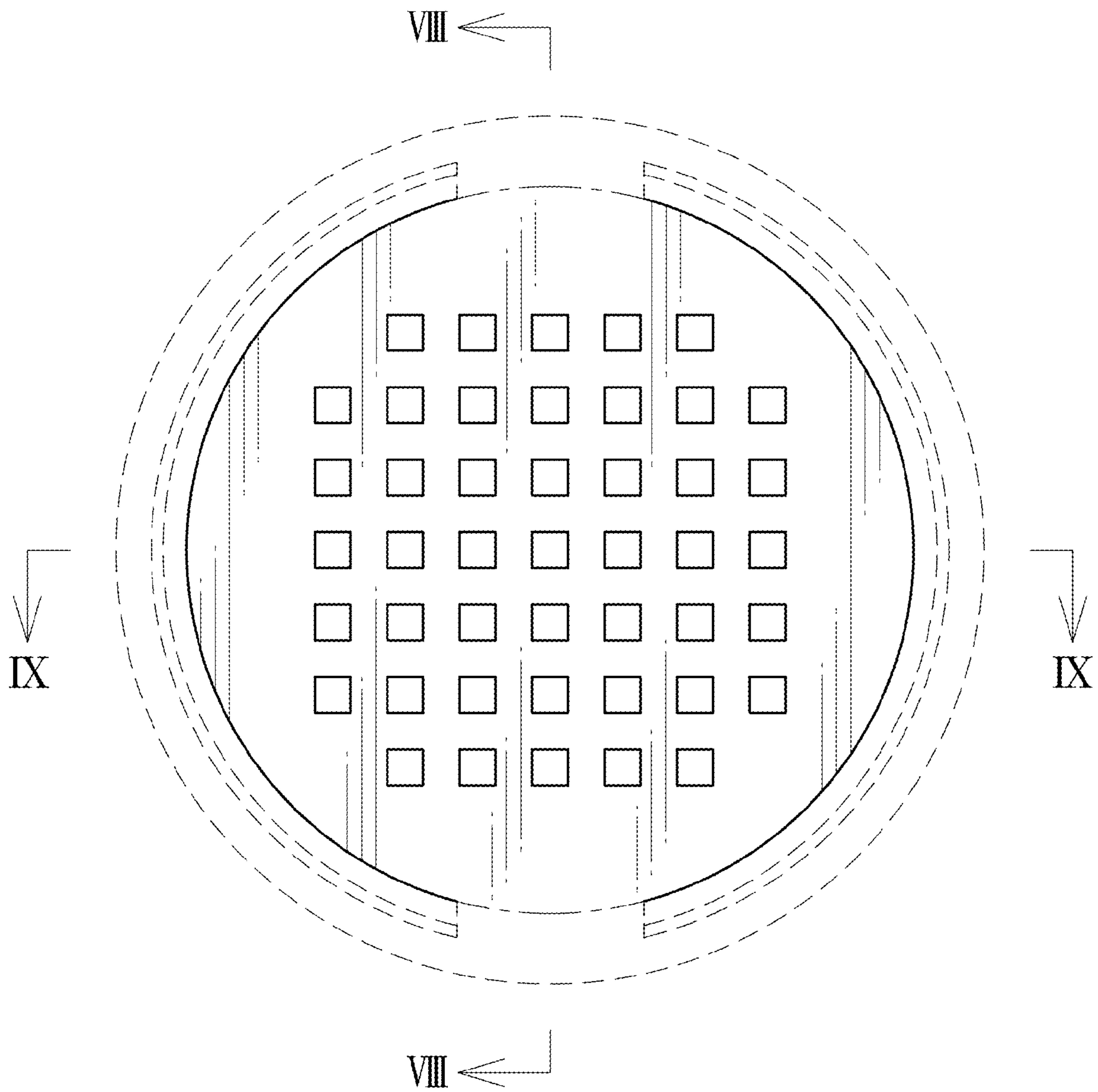


FIG. 6

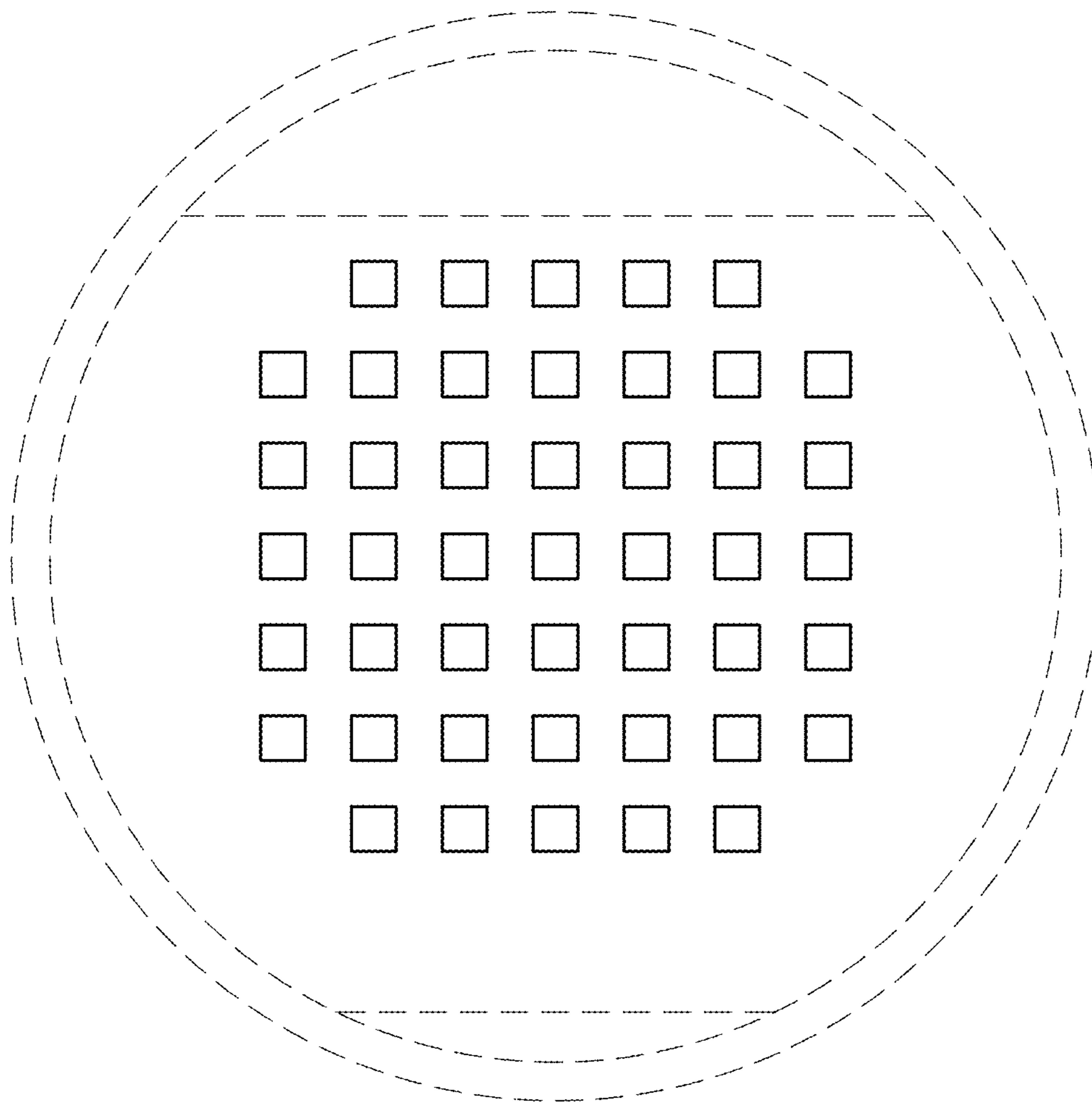




FIG. 7



FIG. 8

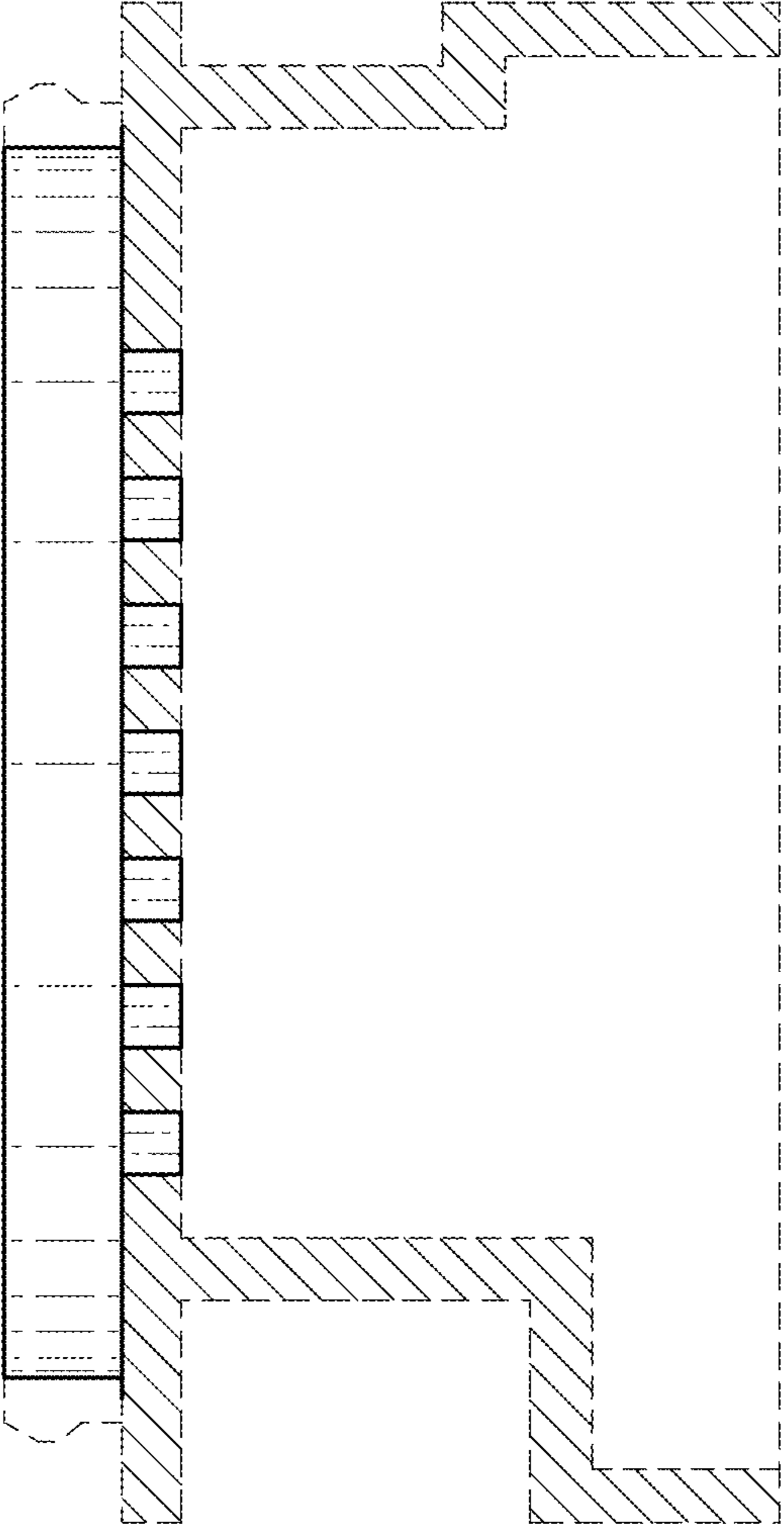


FIG. 9

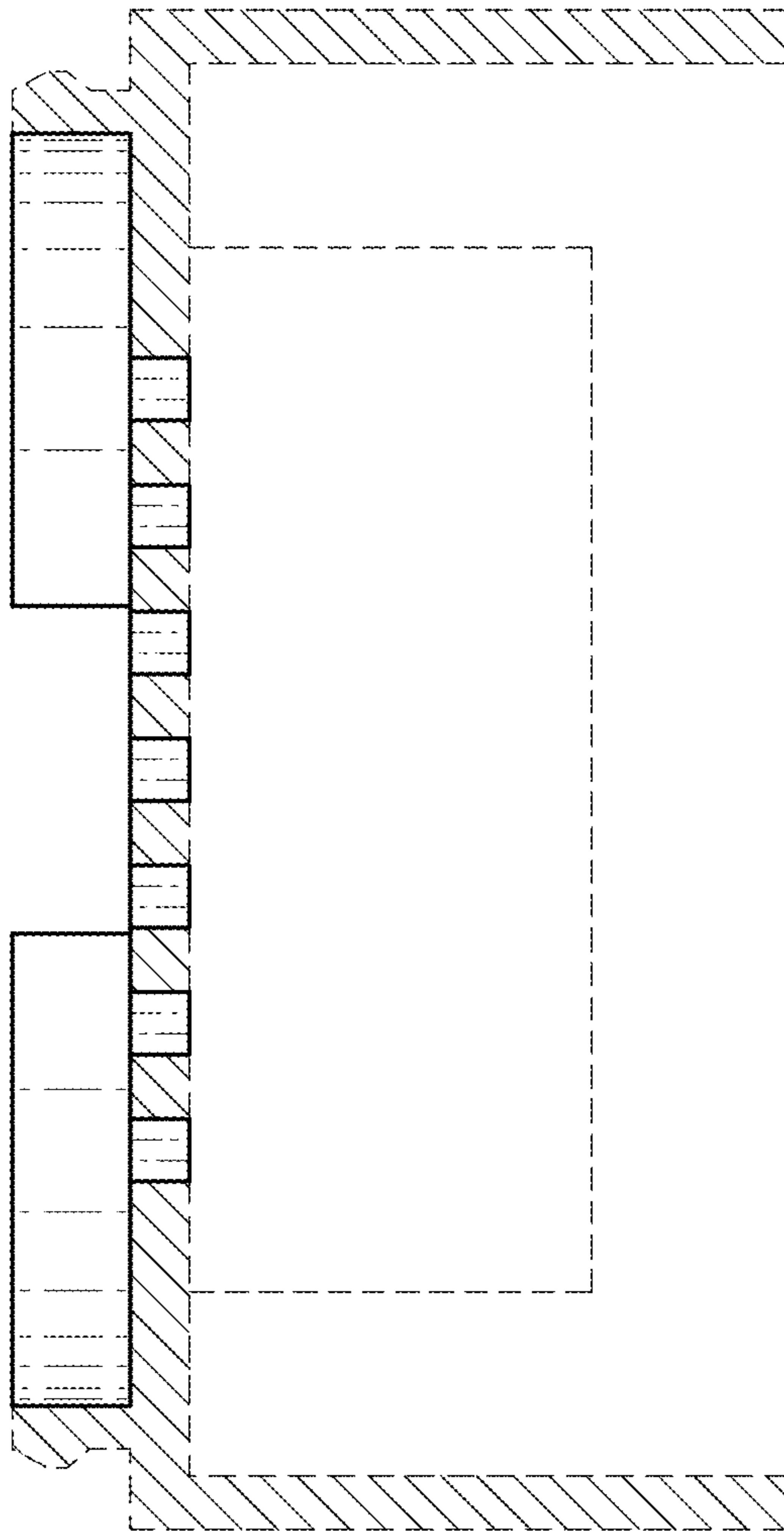


FIG. 10

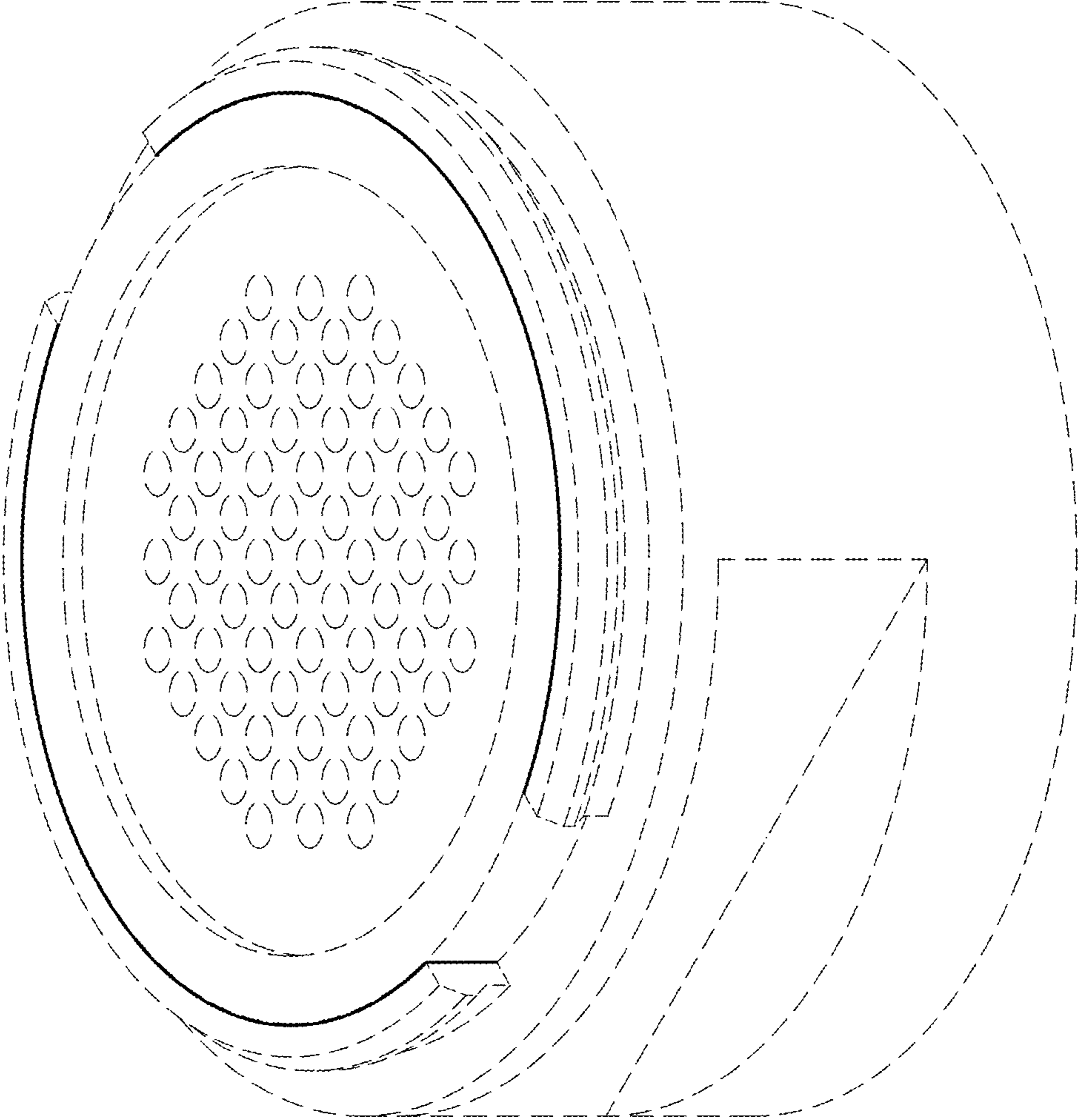


FIG. 11

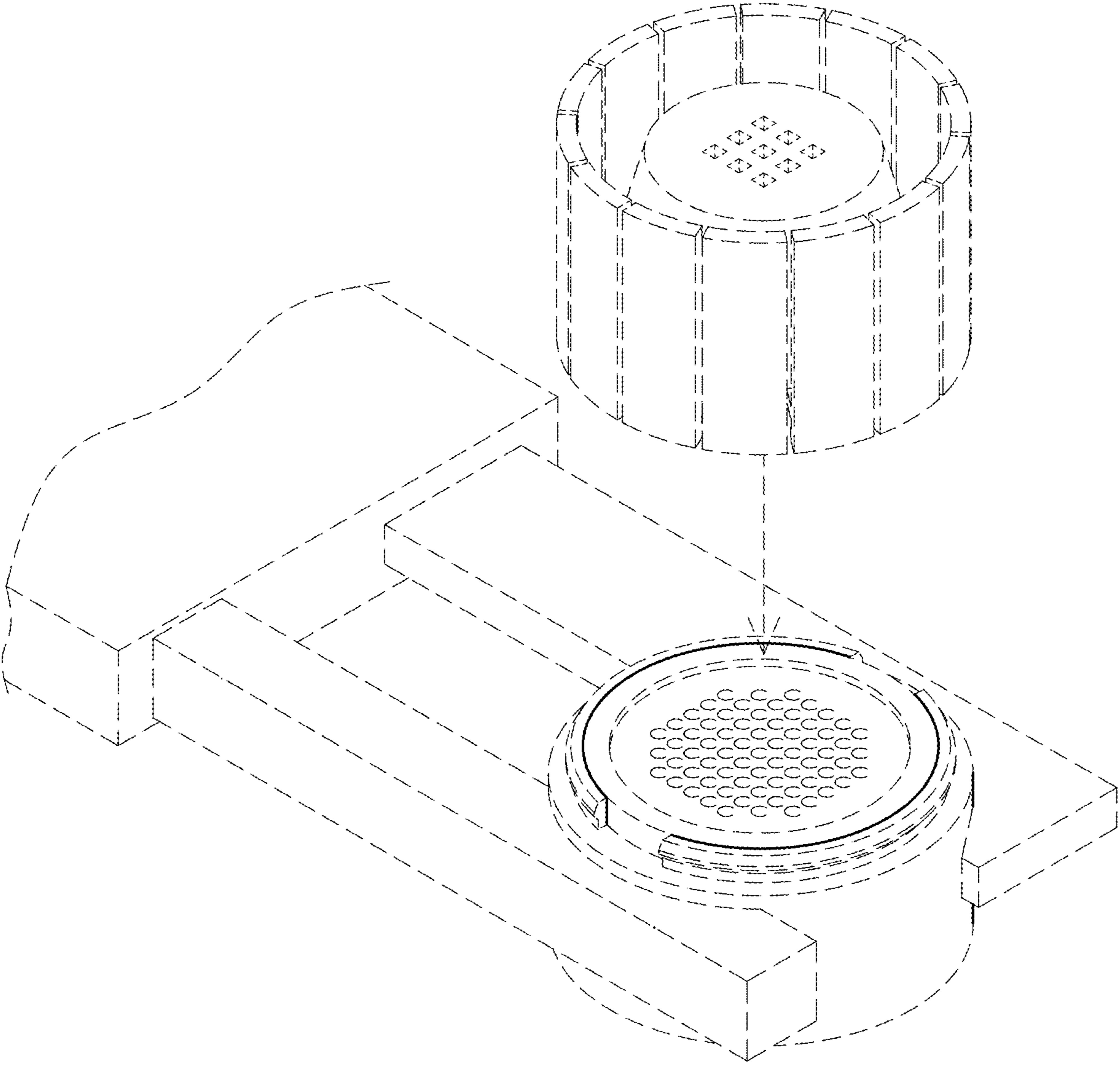




FIG. 12

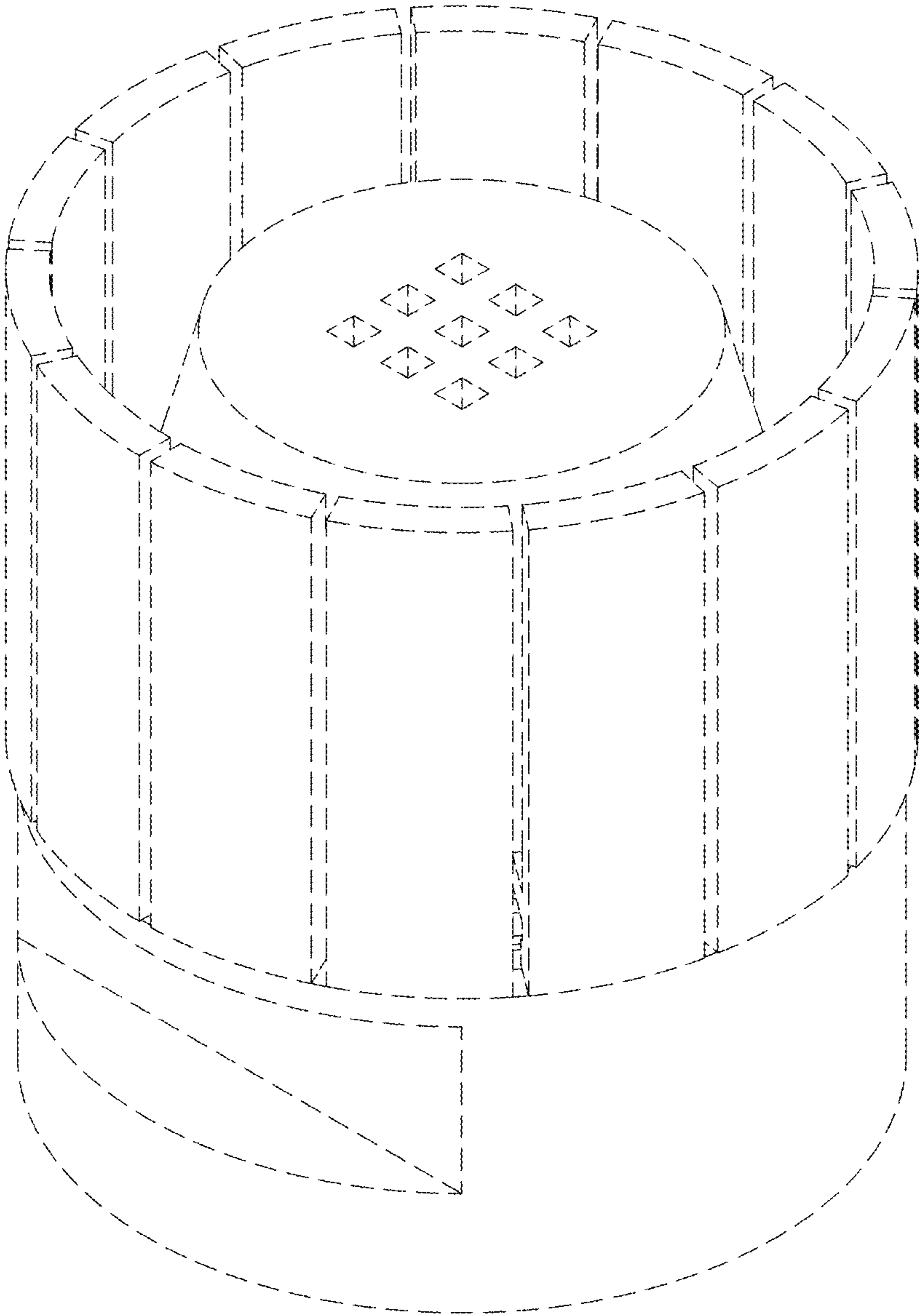


FIG. 13

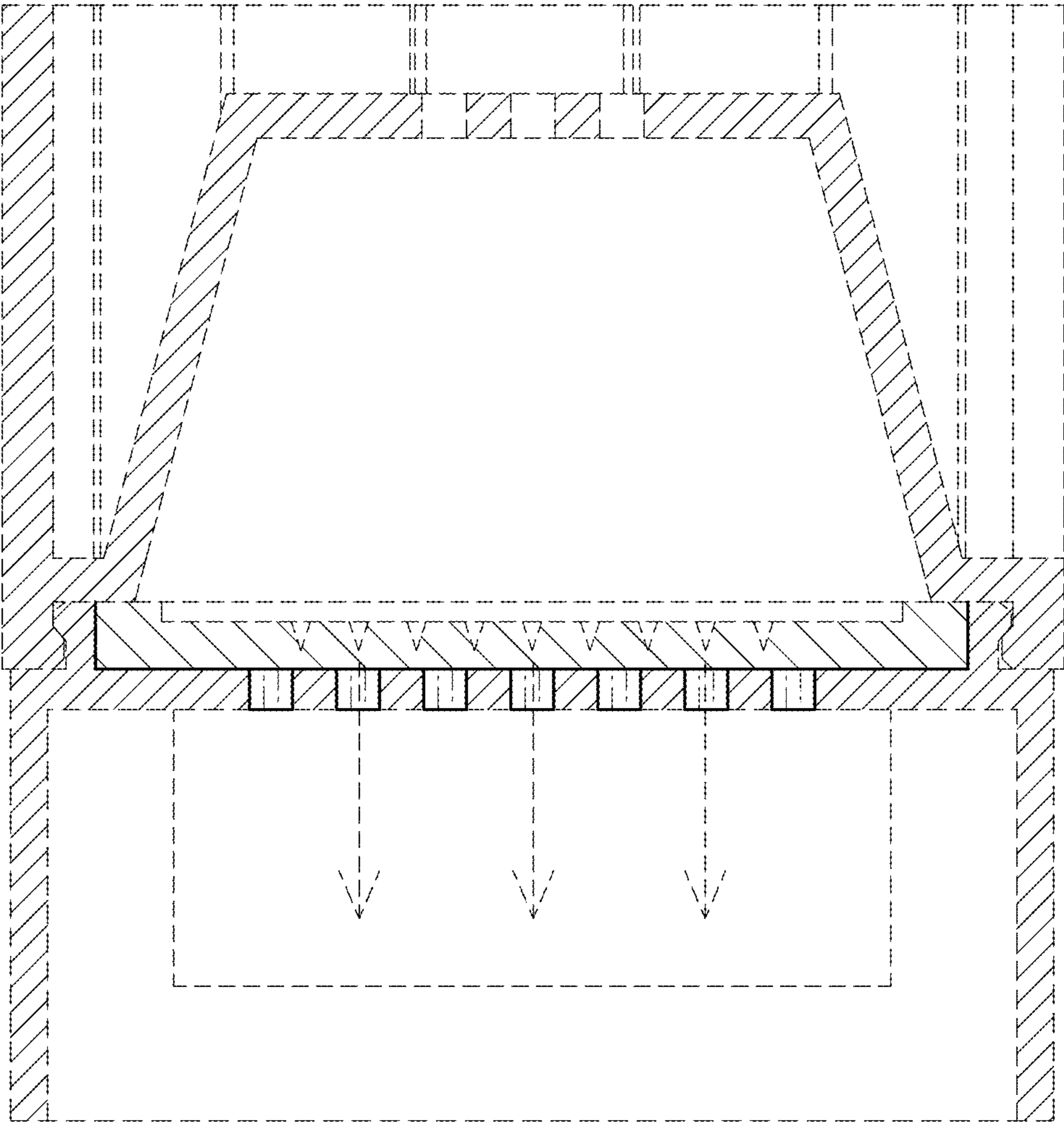


FIG. 14

