



US00D983235S

(12) **United States Design Patent**  
**Kovar et al.**

(10) **Patent No.:** **US D983,235 S**  
(45) **Date of Patent:** **\*\* Apr. 11, 2023**

(54) **EXCAVATOR THUMB**  
(71) Applicant: **Caterpillar Inc.**, Peoria, IL (US)  
(72) Inventors: **Aaron D. Kovar**, Topeka, KS (US);  
**Ryan P. Shea**, Wamego, KS (US)  
(73) Assignee: **Caterpillar Inc.**, Peoria, IL (US)  
(\*\*) Term: **15 Years**

9,481,978 B2 11/2016 Seda et al.  
9,932,720 B2\* 4/2018 Simpson ..... B23D 17/06  
D952,005 S \* 5/2022 Lowe ..... D15/32  
D954,763 S \* 6/2022 Nye ..... D15/32  
2005/0220601 A1\* 10/2005 Pisco ..... E02F 3/404  
414/723  
2007/0289173 A1\* 12/2007 Riffle ..... E02F 3/404  
37/403  
2008/0282585 A1\* 11/2008 Cox ..... E02F 3/404  
37/406

(Continued)

(21) Appl. No.: **29/805,361**  
(22) Filed: **Aug. 26, 2021**  
(51) **LOC (14) Cl.** ..... **15-03**  
(52) **U.S. Cl.**  
USPC ..... **D15/32**  
(58) **Field of Classification Search**  
USPC ..... D15/28, 29, 32  
CPC . E02F 3/413; E02F 3/404; E02F 3/962; E02F  
3/963; E02F 3/96  
See application file for complete search history.

FOREIGN PATENT DOCUMENTS

CN 204703221 U 10/2015  
JP 5709791 B2 4/2015  
JP 6360945 B2 8/2017

*Primary Examiner* — Mark A Goodwin  
(74) *Attorney, Agent, or Firm* — Lee & Hayes, PLLC

(57) **CLAIM**

The ornamental design for an excavator thumb, as shown and described.

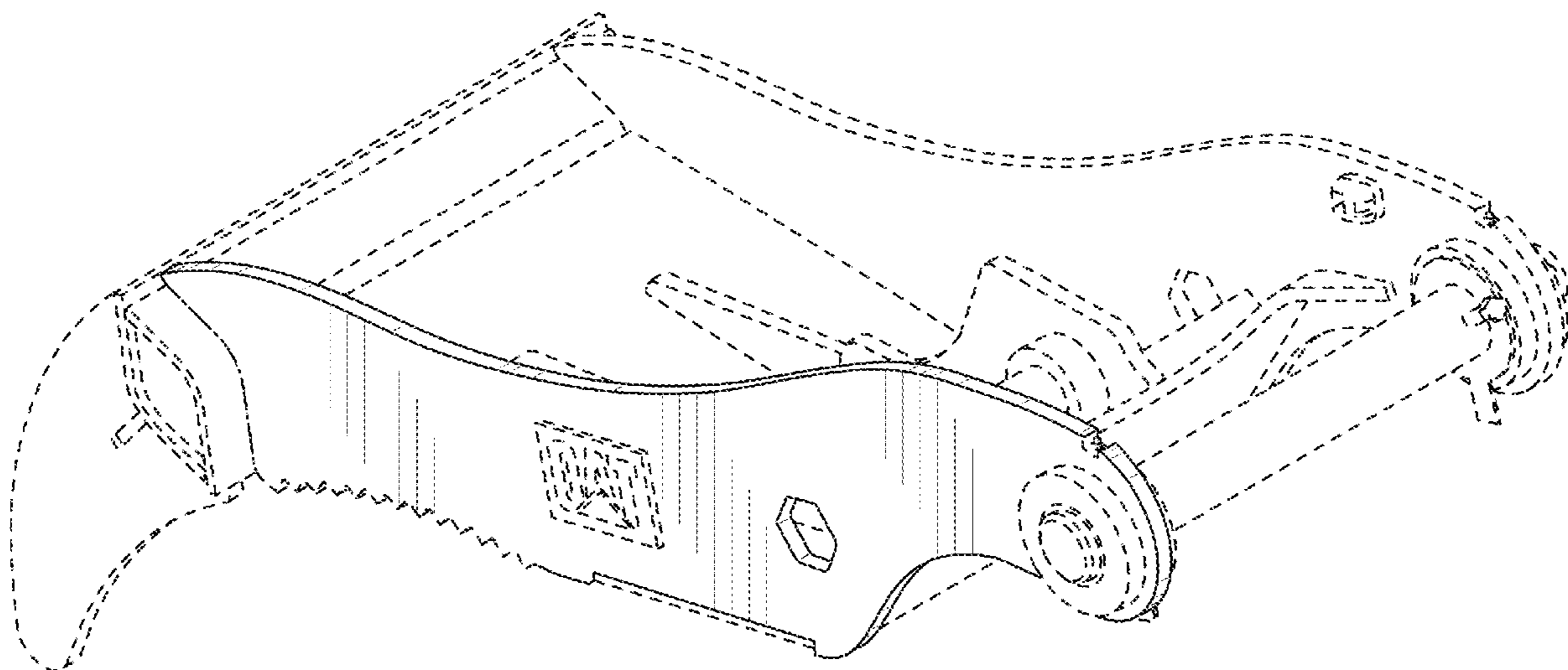
**DESCRIPTION**

FIG. 1 is a top, back, right-side perspective view of an excavator thumb;  
FIG. 2 is top, front, right-side perspective view thereof;  
FIG. 3 is top, front, left-side perspective view thereof;  
FIG. 4 is a right-side view thereof;  
FIG. 5 is a left-side view thereof;  
FIG. 6 is a front view thereof;  
FIG. 7 is a back view thereof;  
FIG. 8 is a top view thereof; and,  
FIG. 9 is a bottom view thereof.

The dashed broken lines depict portions of the excavator thumb that form no part of the claimed design. The dot-dashed broken lines represent boundaries of the claimed excavator thumb and form no part of the claimed design.

**1 Claim, 9 Drawing Sheets**

(56) **References Cited**  
**U.S. PATENT DOCUMENTS**  
5,813,822 A \* 9/1998 Pisco ..... E02F 3/4135  
414/723  
D442,757 S \* 5/2001 Loflin, Sr. .... D15/32  
6,640,471 B2\* 11/2003 Desrochers ..... E02F 3/404  
37/406  
D496,945 S \* 10/2004 Daniel ..... D15/32  
D661,711 S \* 6/2012 Risch ..... D15/28  
8,695,239 B2\* 4/2014 Seda ..... E02F 3/96  
37/406  
8,920,106 B2 12/2014 Seljestad  
9,015,968 B2\* 4/2015 Kovar ..... E02F 3/404  
37/406  
9,151,012 B2\* 10/2015 Seda ..... E02F 3/404  
9,353,500 B1\* 5/2016 Andreski ..... E02F 3/404  
9,404,236 B2\* 8/2016 Toraason ..... E02F 3/404  
9,476,179 B2\* 10/2016 Seljestad ..... E02F 3/413



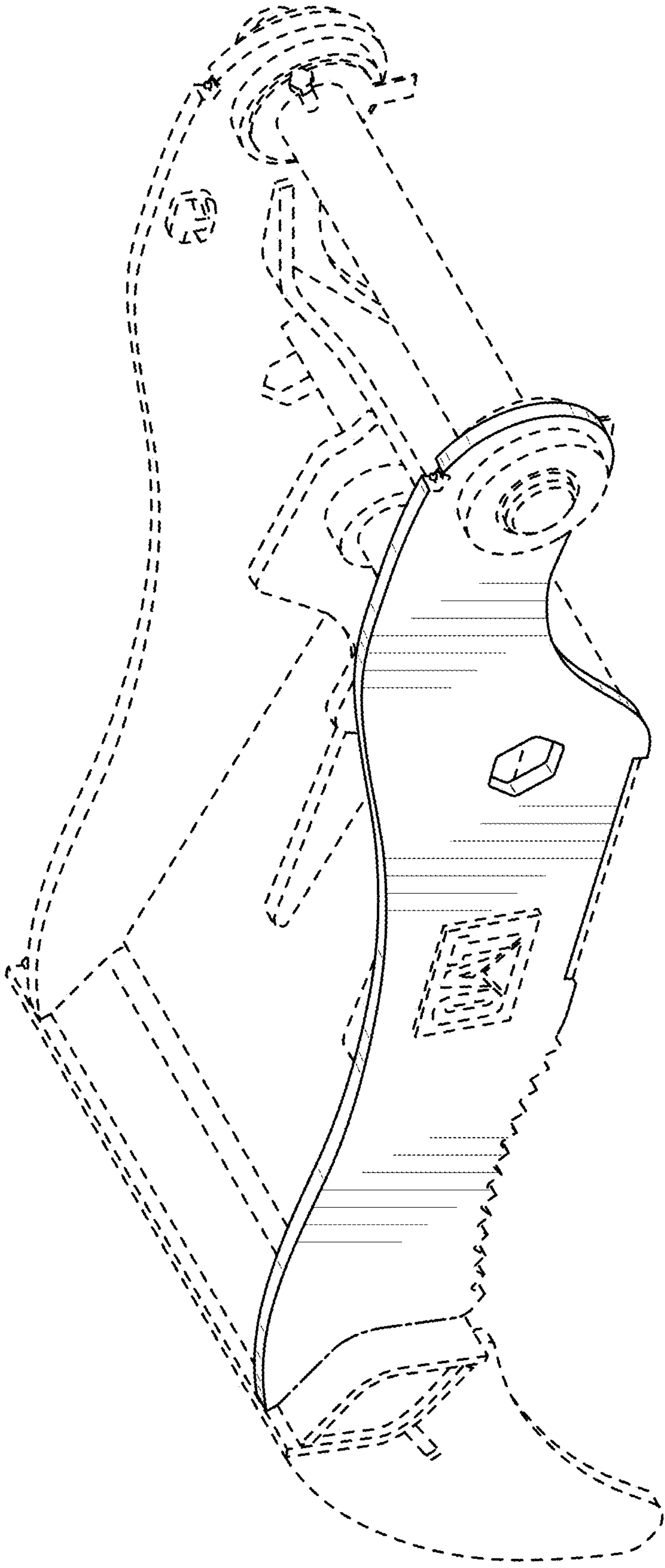
(56)

**References Cited**

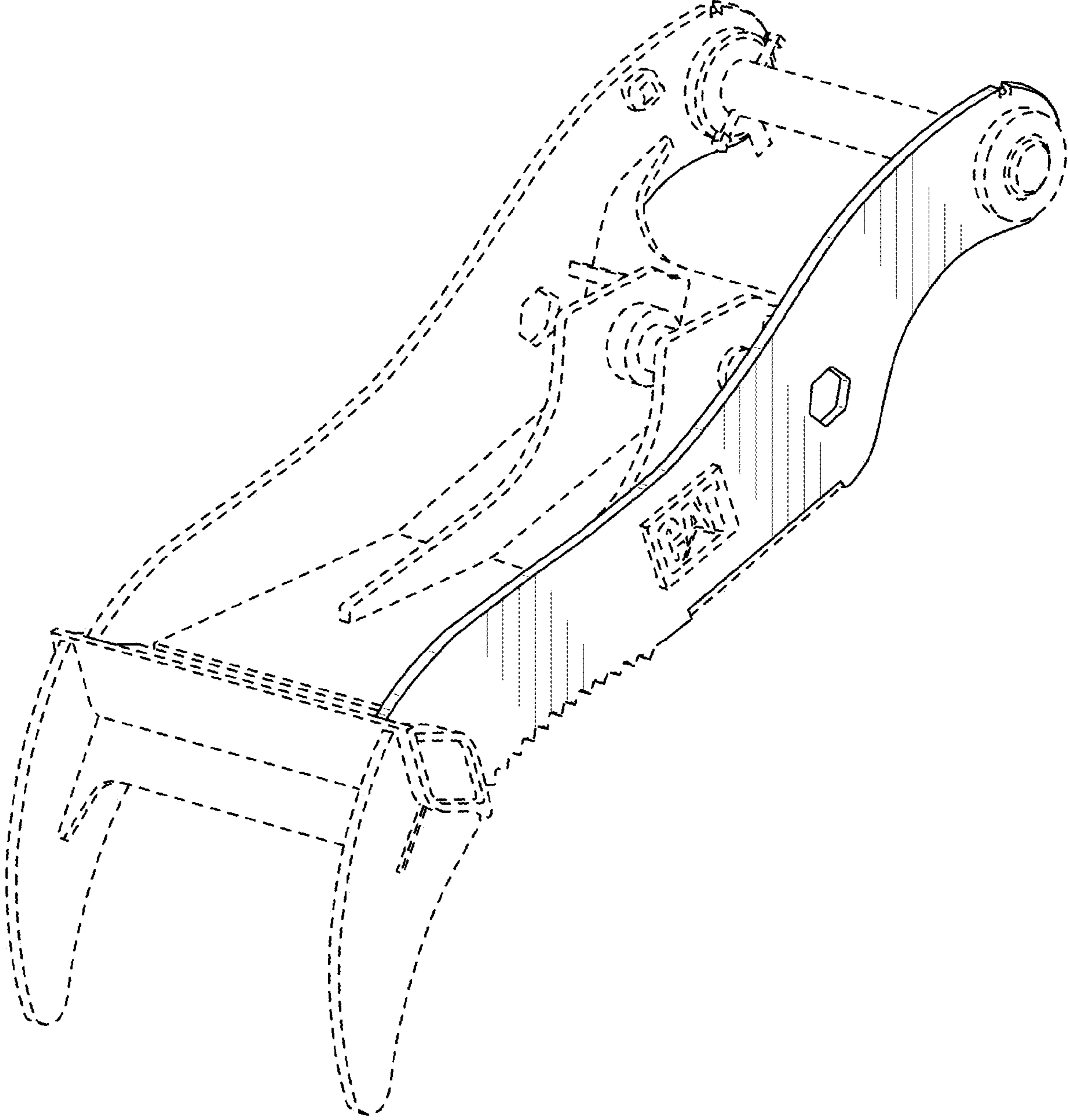
U.S. PATENT DOCUMENTS

2009/0077840 A1\* 3/2009 Zeno ..... E02F 3/404  
37/468  
2010/0058622 A1 3/2010 Calvert et al.  
2012/0163950 A1\* 6/2012 Seljestad ..... E02F 3/962  
414/722  
2012/0328400 A1\* 12/2012 Seljestad ..... E02F 3/404  
414/724  
2013/0259627 A1\* 10/2013 Seljestad ..... E02F 3/404  
414/815  
2014/0007467 A1\* 1/2014 Kovar ..... E02F 3/404  
37/406  
2021/0095441 A1\* 4/2021 Jonsson ..... E02F 3/4135

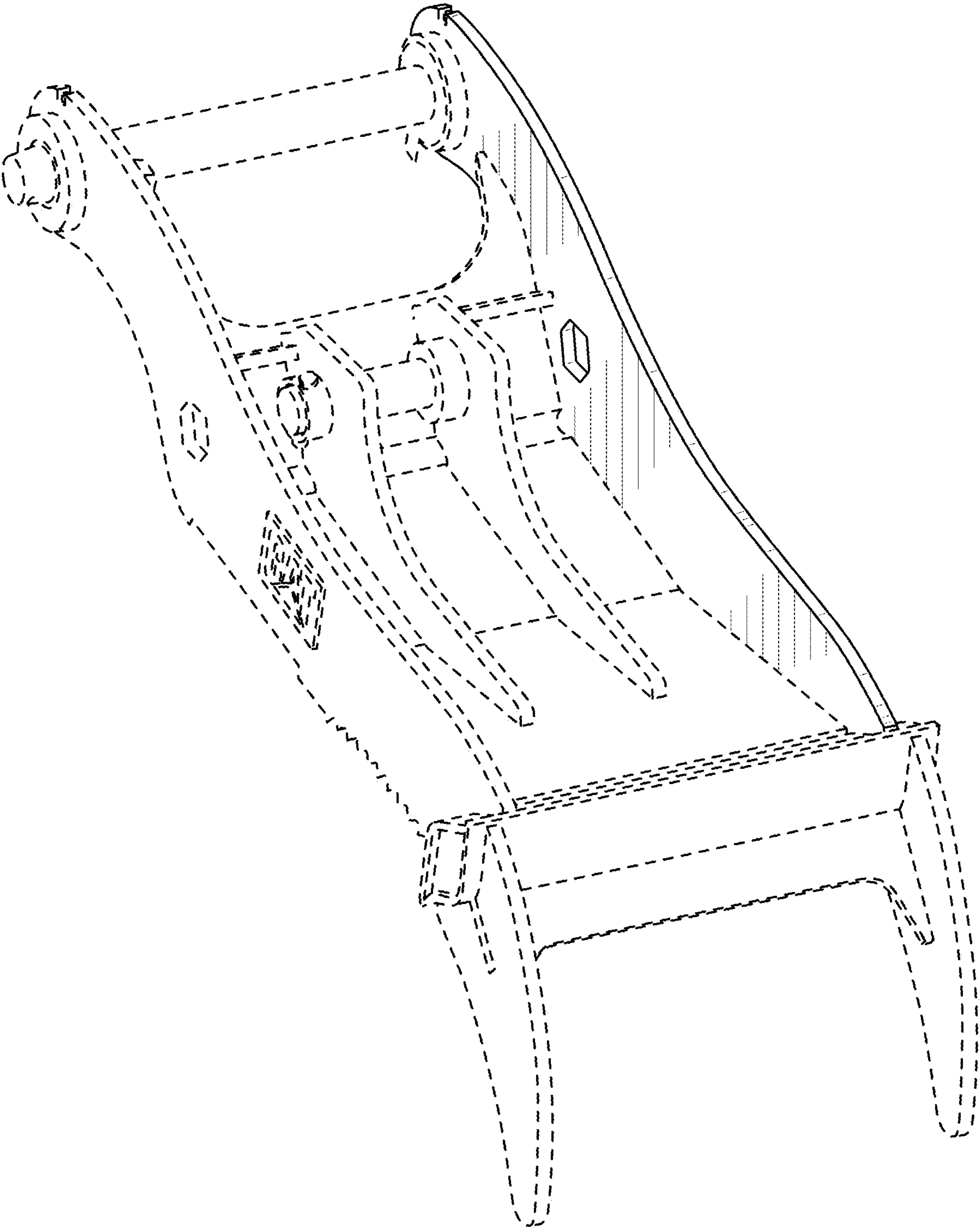
\* cited by examiner



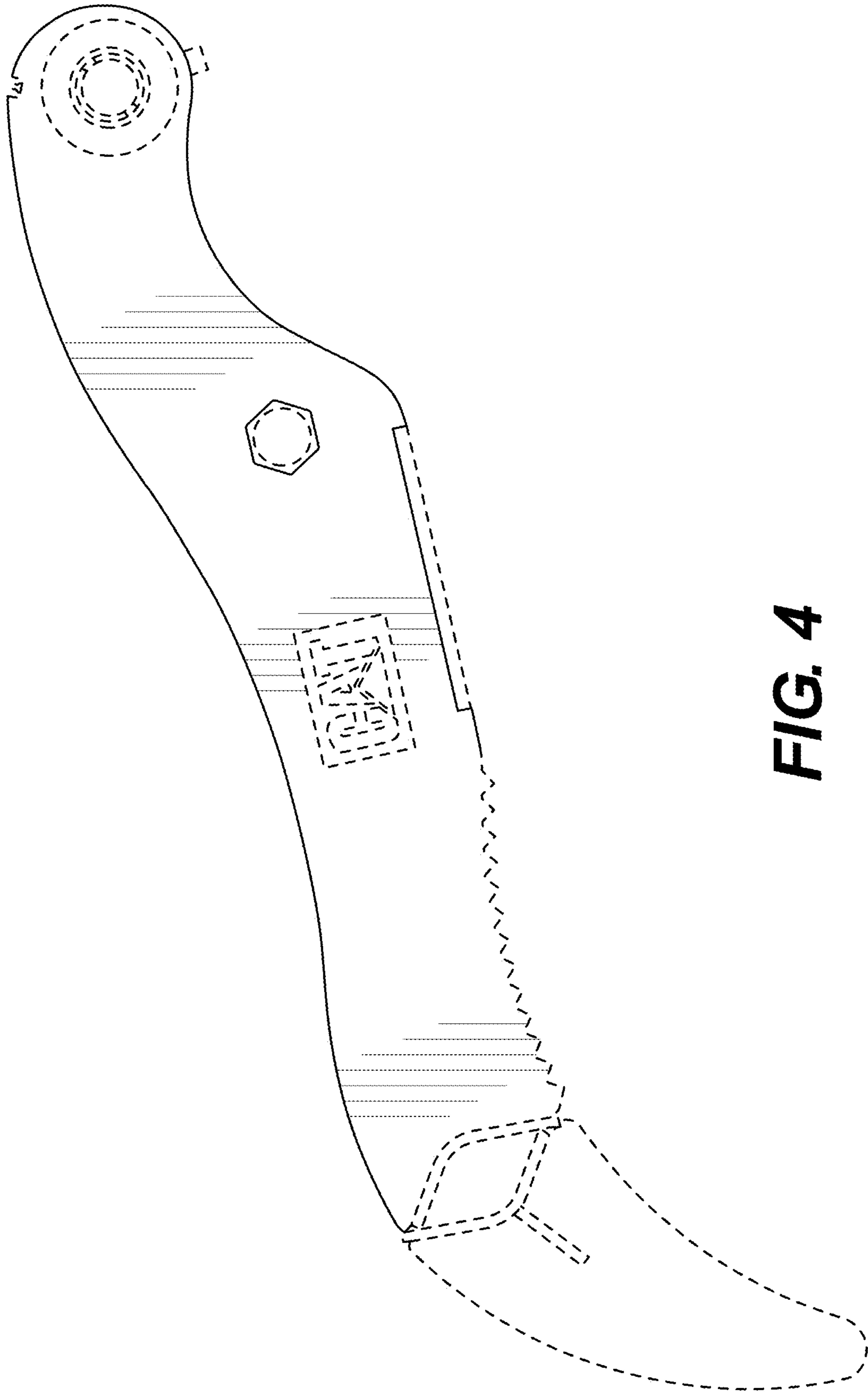
**FIG. 1**



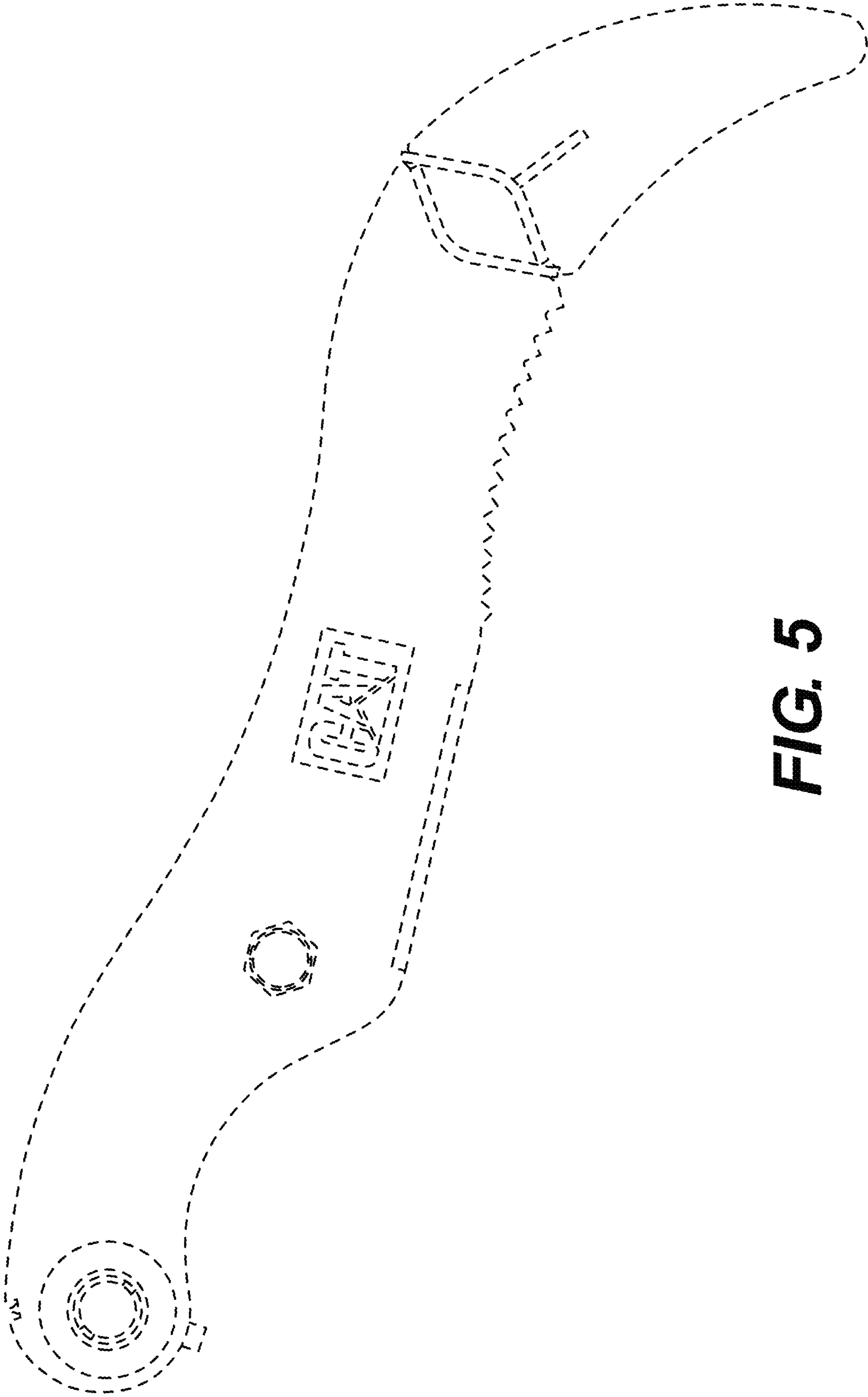
**FIG. 2**



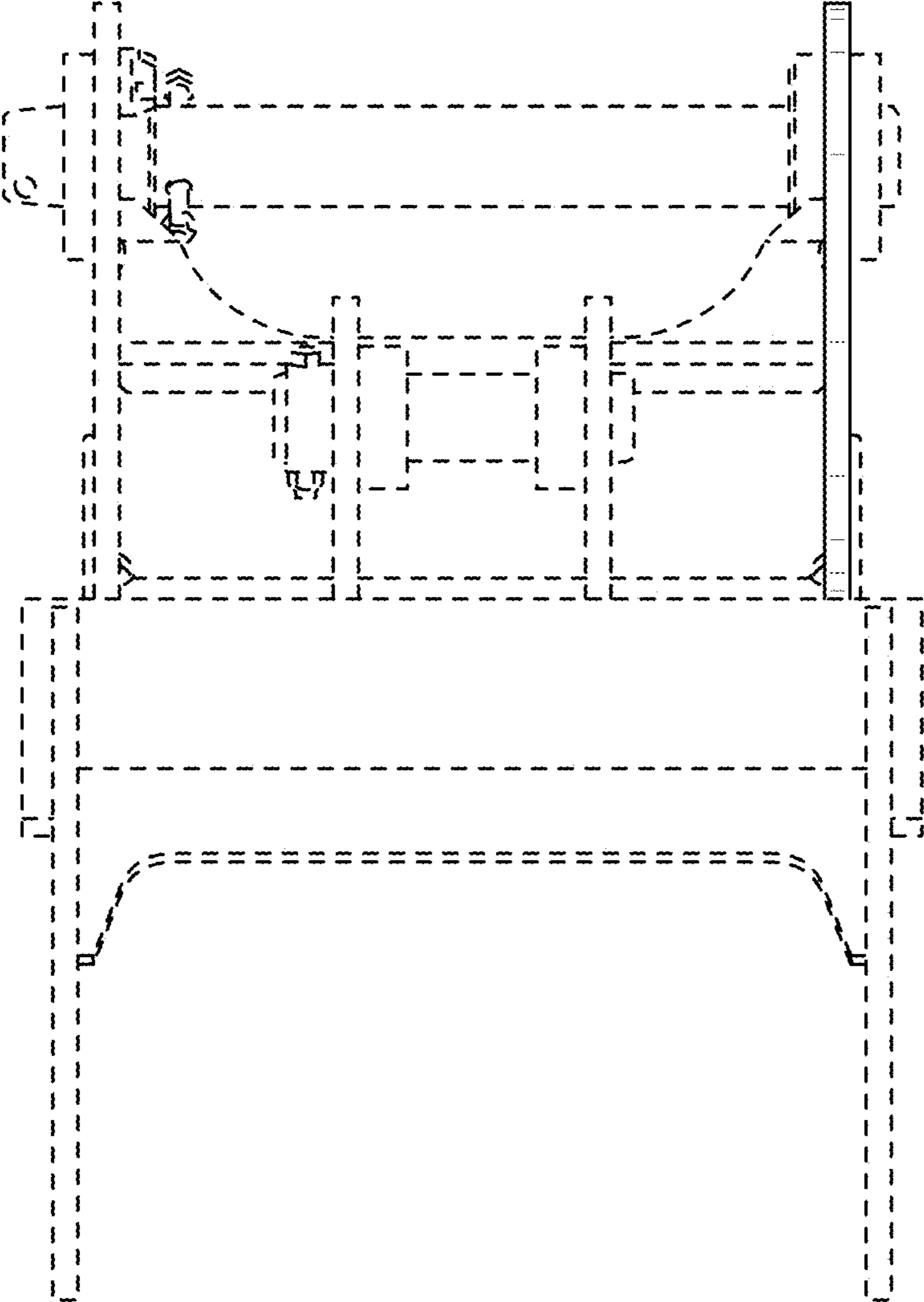
**FIG. 3**



**FIG. 4**

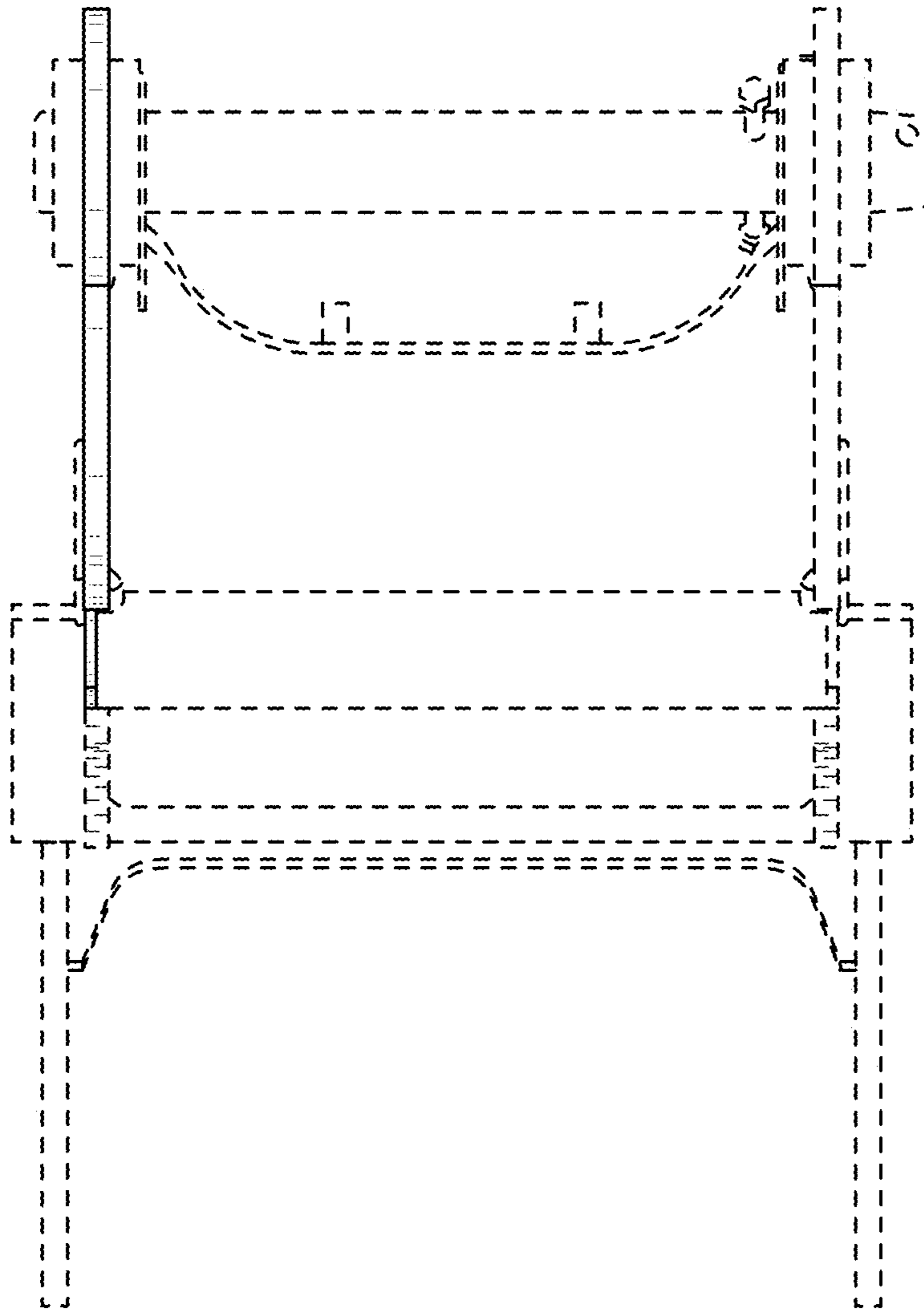


**FIG. 5**

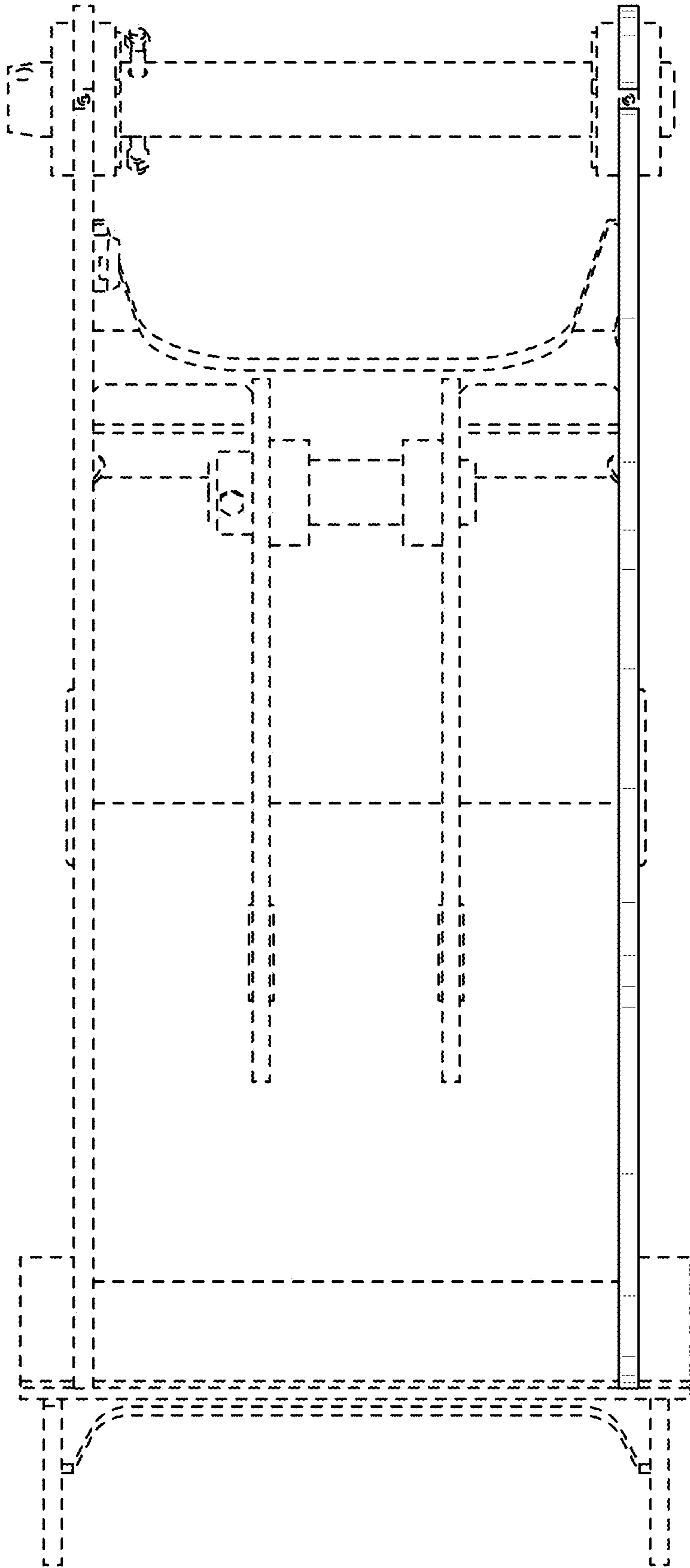


**FIG. 6**

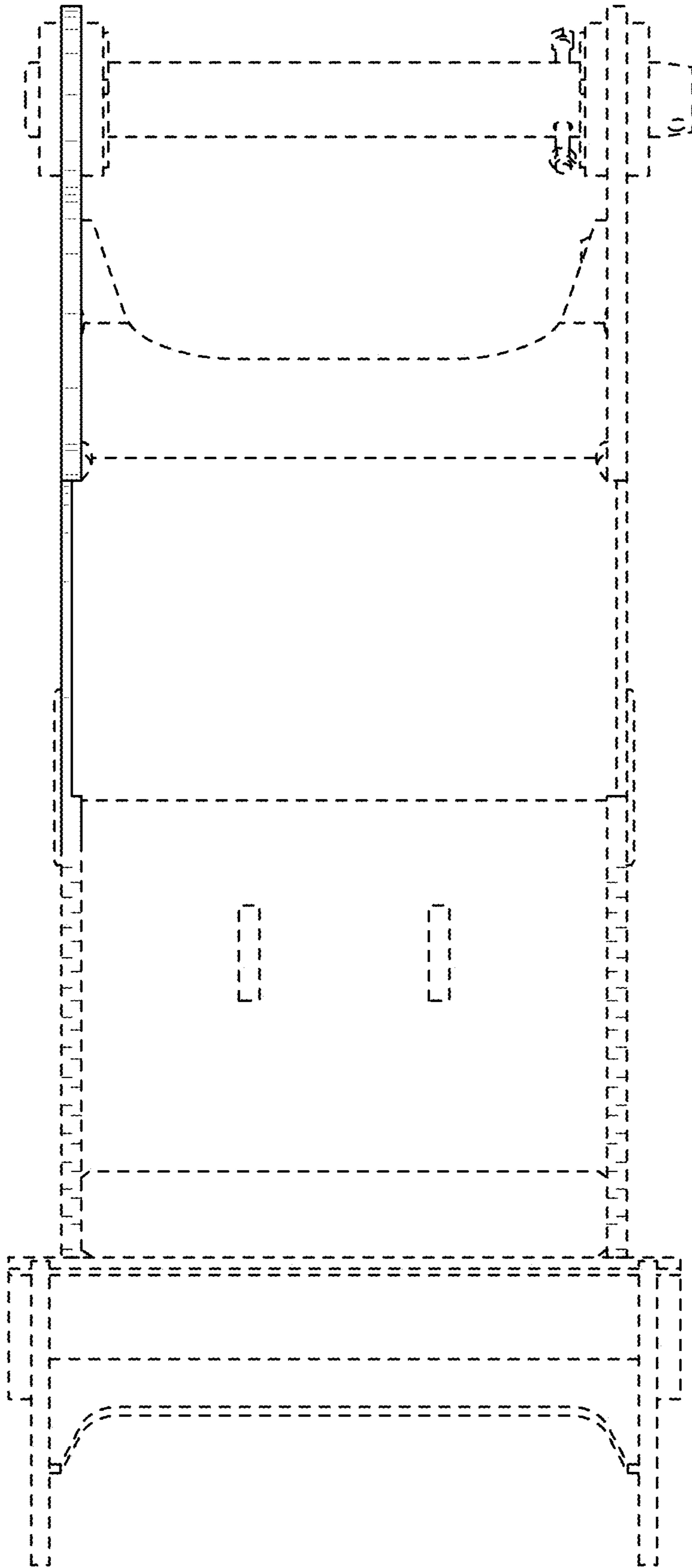




**FIG. 7**



**FIG. 8**



**FIG. 9**