



US00D983234S

(12) **United States Design Patent** (10) **Patent No.:** **US D983,234 S**  
**Sinn et al.** (45) **Date of Patent:** **\*\* Apr. 11, 2023**

(54) **ADAPTER COVER FOR A GROUND ENGAGING MACHINE IMPLEMENT**

D624,943 S \* 10/2010 Gibbon ..... D15/29  
D728,636 S \* 5/2015 Kunz ..... D15/28  
D728,637 S \* 5/2015 Kunz ..... D15/28

(Continued)

(71) Applicant: **Caterpillar Inc.**, Peoria, IL (US)

(72) Inventors: **Eric Thomas Sinn**, Tremont, IL (US);  
**Douglas Charles Serrurier**, Morton, IL (US); **Rammagy Yoeu**, Dunlap, IL (US)

FOREIGN PATENT DOCUMENTS

AU 201914720 9/2019  
BR 302019004080-8 10/2019

(Continued)

(73) Assignee: **Caterpillar Inc.**, Peoria, IL (US)

(\*\*) Term: **15 Years**

OTHER PUBLICATIONS

(21) Appl. No.: **29/758,754**

U.S. Appl. No. 29/682,757, titled "Adapter Cover for a Ground Engaging Machine Implement", filed Mar. 7, 2019. (Unpublished).

(Continued)

(22) Filed: **Nov. 18, 2020**

(51) **LOC (14) Cl.** ..... **15-03**

(52) **U.S. Cl.**

USPC ..... **D15/28**

(58) **Field of Classification Search**

USPC ..... D15/11, 28, 29, 32  
CPC ..... Y10T 29/49826; Y10T 403/589; Y10T 403/7018; Y10T 403/7075; E02F 9/2825; E02F 9/2833; E02F 9/2866; E02F 9/2858; E02F 9/2808; E02F 9/2841

See application file for complete search history.

*Primary Examiner* — Calvin E Vansant

*Assistant Examiner* — Eidiol Ghigliotty Torres

(74) *Attorney, Agent, or Firm* — Saidman Design Law Group

(57) **CLAIM**

The ornamental design for an adapter cover for a ground engaging machine implement, as shown and described.

**DESCRIPTION**

FIG. 1 is a front perspective view of an adapter cover for a ground engaging machine implement showing our new design;

FIG. 2 is a front view thereof;

FIG. 3 is a rear view thereof;

FIG. 4 is a left side view thereof;

FIG. 5 is a right side view thereof;

FIG. 6 is a top view thereof; and,

FIG. 7 is a bottom view thereof.

The broken lines illustrate structure or features which form no part of the claimed design.

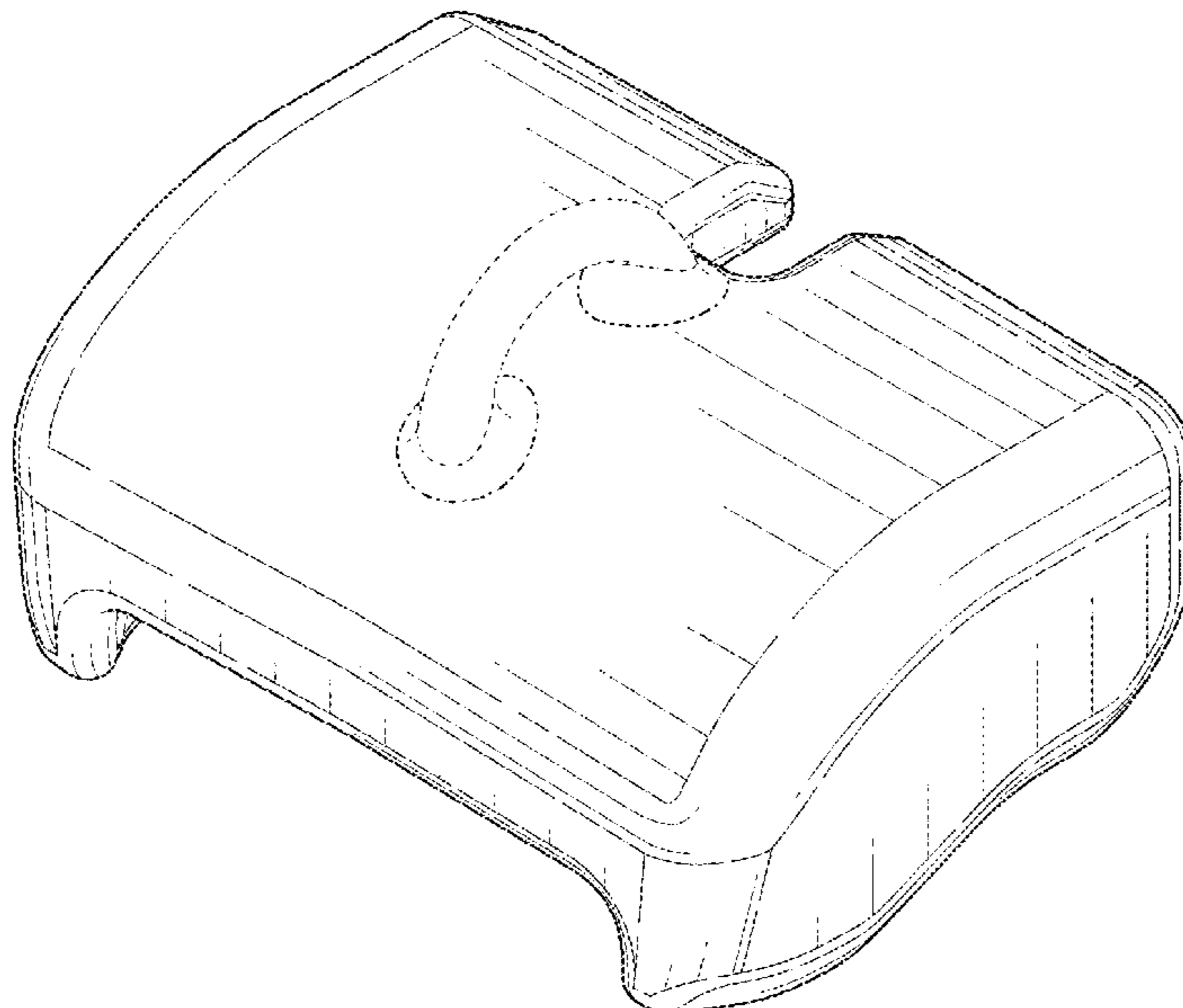
The dot-dash broken lines illustrate boundaries which form no part of the claimed design.

(56) **References Cited**

U.S. PATENT DOCUMENTS

3,082,555 A	3/1963	Hill
3,137,352 A	6/1964	Petersen
4,317,300 A	3/1982	Emrich et al.
4,326,348 A	4/1982	Emrich
4,335,532 A	6/1982	Hahn et al.
4,428,131 A	1/1984	Hahn
4,587,751 A	5/1986	Sjogren et al.
4,716,667 A	1/1988	Martin
5,075,986 A	12/1991	Smith et al.
5,088,214 A	2/1992	Jones
5,666,748 A	9/1997	Emrich et al.

**1 Claim, 4 Drawing Sheets**



(56)

References Cited

U.S. PATENT DOCUMENTS

D748,685 S \* 2/2016 Kunz ..... D15/28  
 D749,145 S \* 2/2016 Renski ..... D15/28  
 D749,147 S \* 2/2016 Kunz ..... D15/28  
 9,315,972 B2 4/2016 Anisy et al.  
 D761,883 S \* 7/2016 Kunz ..... D15/28  
 D767,647 S \* 9/2016 Kunz ..... D15/28  
 D768,730 S \* 10/2016 Kunz ..... D15/28  
 D774,108 S \* 12/2016 Balan ..... D15/28  
 D774,109 S \* 12/2016 Balan ..... D15/28  
 D774,110 S \* 12/2016 Balan ..... D15/28  
 D774,564 S \* 12/2016 Balan ..... D15/28  
 D774,565 S \* 12/2016 Balan ..... D15/28  
 D774,566 S \* 12/2016 Balan ..... D15/28  
 D774,567 S \* 12/2016 Balan ..... D15/28  
 D775,240 S \* 12/2016 Balan ..... D15/28  
 D775,241 S \* 12/2016 Balan ..... D15/28  
 D775,242 S \* 12/2016 Balan ..... D15/28  
 D775,673 S \* 1/2017 Balan ..... D15/28  
 D781,354 S \* 3/2017 Kunz ..... D15/28  
 D782,546 S \* 3/2017 Balan ..... D15/28  
 D784,424 S \* 4/2017 Renski ..... D15/28  
 D790,601 S \* 6/2017 Balan ..... D15/28  
 D790,602 S \* 6/2017 Balan ..... D15/28  
 D790,603 S \* 6/2017 Balan ..... D15/28  
 D790,604 S \* 6/2017 Balan ..... D15/28  
 D790,605 S \* 6/2017 Balan ..... D15/28  
 D790,606 S \* 6/2017 Balan ..... D15/28  
 D790,607 S \* 6/2017 Balan ..... D15/28  
 D801,397 S \* 10/2017 Balan ..... D15/28  
 D806,142 S \* 12/2017 Serrurier ..... D15/28  
 D807,926 S \* 1/2018 Kunz ..... D15/28  
 9,963,857 B2 5/2018 Ruvang  
 D832,309 S \* 10/2018 Balan ..... D15/28  
 D832,310 S \* 10/2018 Balan ..... D15/28  
 D841,433 S 2/2019 Lardon et al.  
 D842,345 S \* 3/2019 Kunz ..... D15/28  
 D857,761 S \* 8/2019 Balan ..... D15/28  
 D857,762 S \* 8/2019 Kunz ..... D15/28  
 D858,584 S \* 9/2019 Balan ..... D15/28  
 10,428,494 B1 10/2019 Lombardo et al.  
 D888,785 S \* 6/2020 Sinn ..... D15/28  
 D894,968 S \* 9/2020 McCaffrey ..... D15/28

D894,969 S \* 9/2020 McCaffrey ..... D15/28  
 D905,764 S \* 12/2020 Sinn ..... D15/28  
 D924,941 S \* 7/2021 Sinn ..... D15/28  
 D925,616 S \* 7/2021 Sinn ..... D15/28  
 D945,498 S \* 3/2022 Sinn ..... D15/28  
 D945,499 S \* 3/2022 Sinn ..... D15/28  
 D945,500 S \* 3/2022 Sinn ..... D15/28  
 2013/0269221 A1 10/2013 Pippins  
 2020/0157765 A1 5/2020 Sinn et al.  
 2020/0157776 A1 5/2020 Sinn et al.  
 2020/0157777 A1 5/2020 Sinn et al.  
 2020/0157778 A1 5/2020 Sinn et al.  
 2020/0157779 A1 5/2020 Sinn et al.  
 2020/0157780 A1 5/2020 Sinn et al.  
 2022/0154432 A1\* 5/2022 Sinn ..... E02F 9/2825

FOREIGN PATENT DOCUMENTS

CN ZL201930428879.3 4/2020  
 CN ZL201930443215.4 4/2020  
 EM 006815809-0001 9/2019  
 EM 006815817-0001 9/2019  
 ID A00201902877 8/2020  
 ID A00201902879 8/2020  
 IN 320530-001 12/2019  
 IN 320630-001 9/2020  
 MX f/2019/002477 11/2019  
 MX f/2019/002479 11/2019  
 PE 5603 12/2019  
 PE 5610 12/2019  
 RU 121030 8/2020  
 RU 121032 8/2020  
 WO WO-2022108859 A1 \* 5/2022 ..... E02F 9/2825

OTHER PUBLICATIONS

U.S. Appl. No. 29/682,759, titled "Adapter Cover for a Ground Engaging Machine Implement", filed Mar. 7, 2019. (Unpublished).  
 U.S. Appl. No. 16/951,186, filed Nov. 18, 2020 (unpublished).  
 U.S. Appl. No. 16/951,231, filed Nov. 18, 2020 (unpublished).  
 U.S. Appl. No. 16/951,630, filed Nov. 18, 2020 (unpublished).  
 U.S. Appl. No. 29/758,763, filed Nov. 18, 2020 (unpublished).

\* cited by examiner

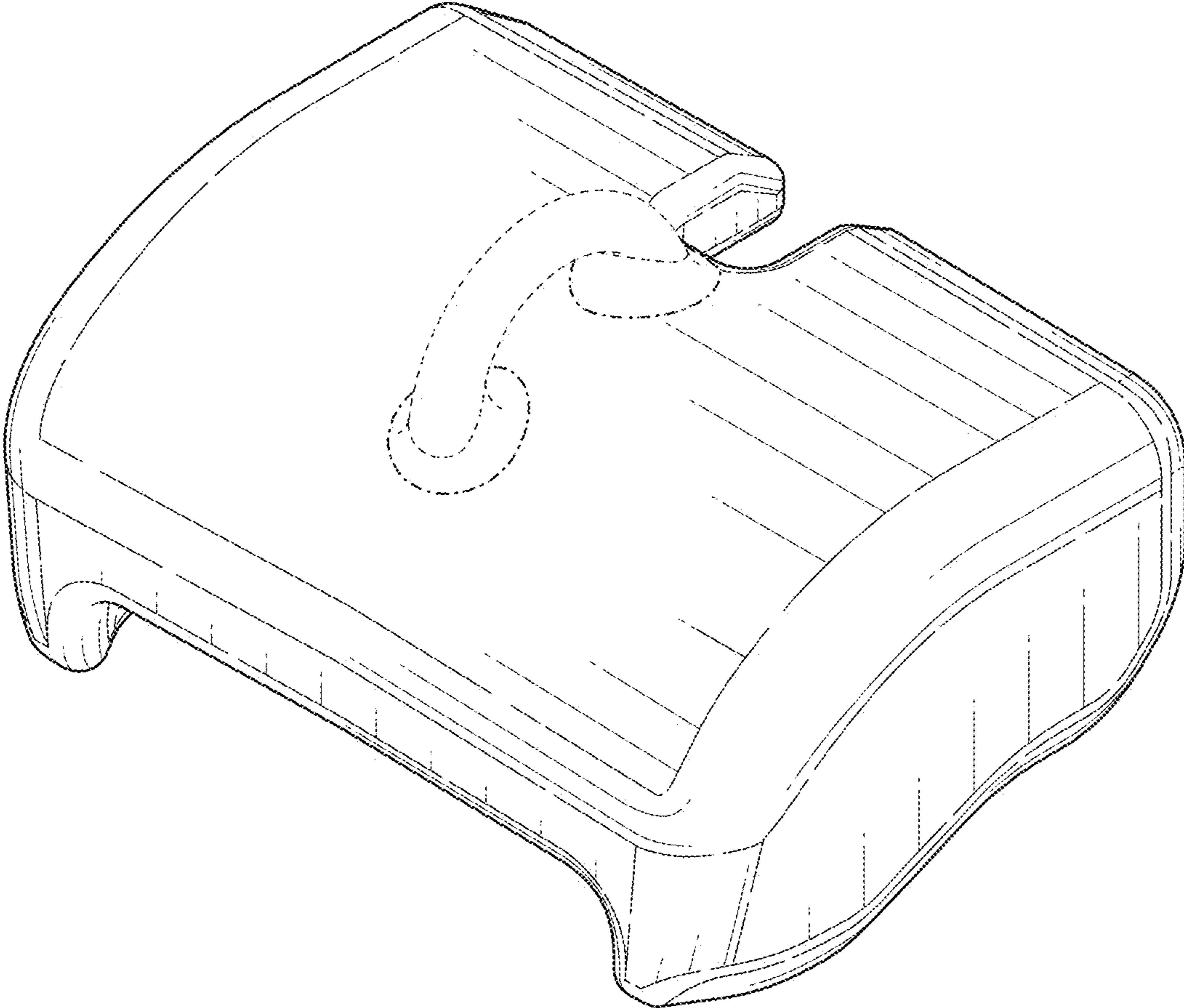


FIG. 1

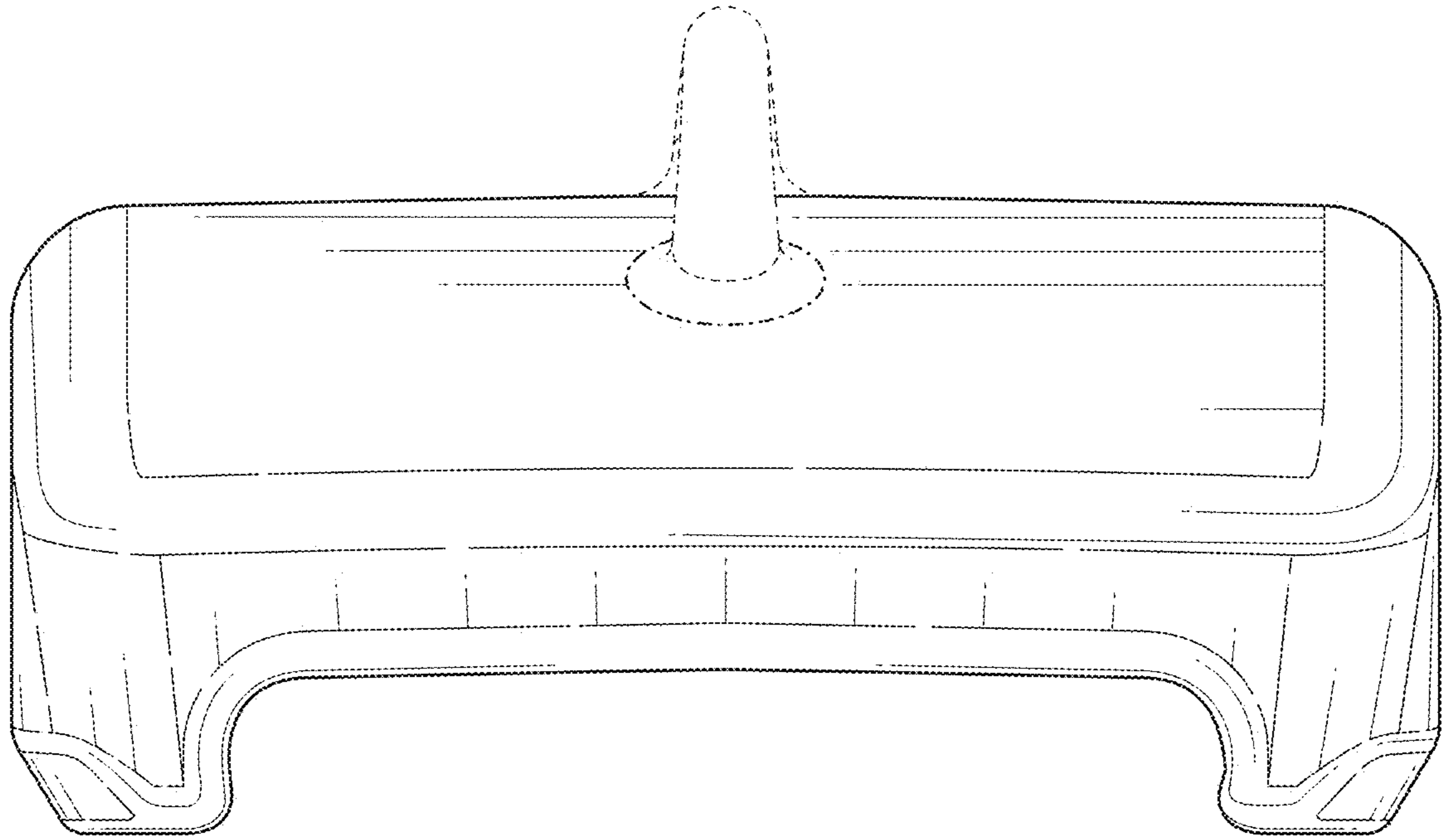


FIG. 2

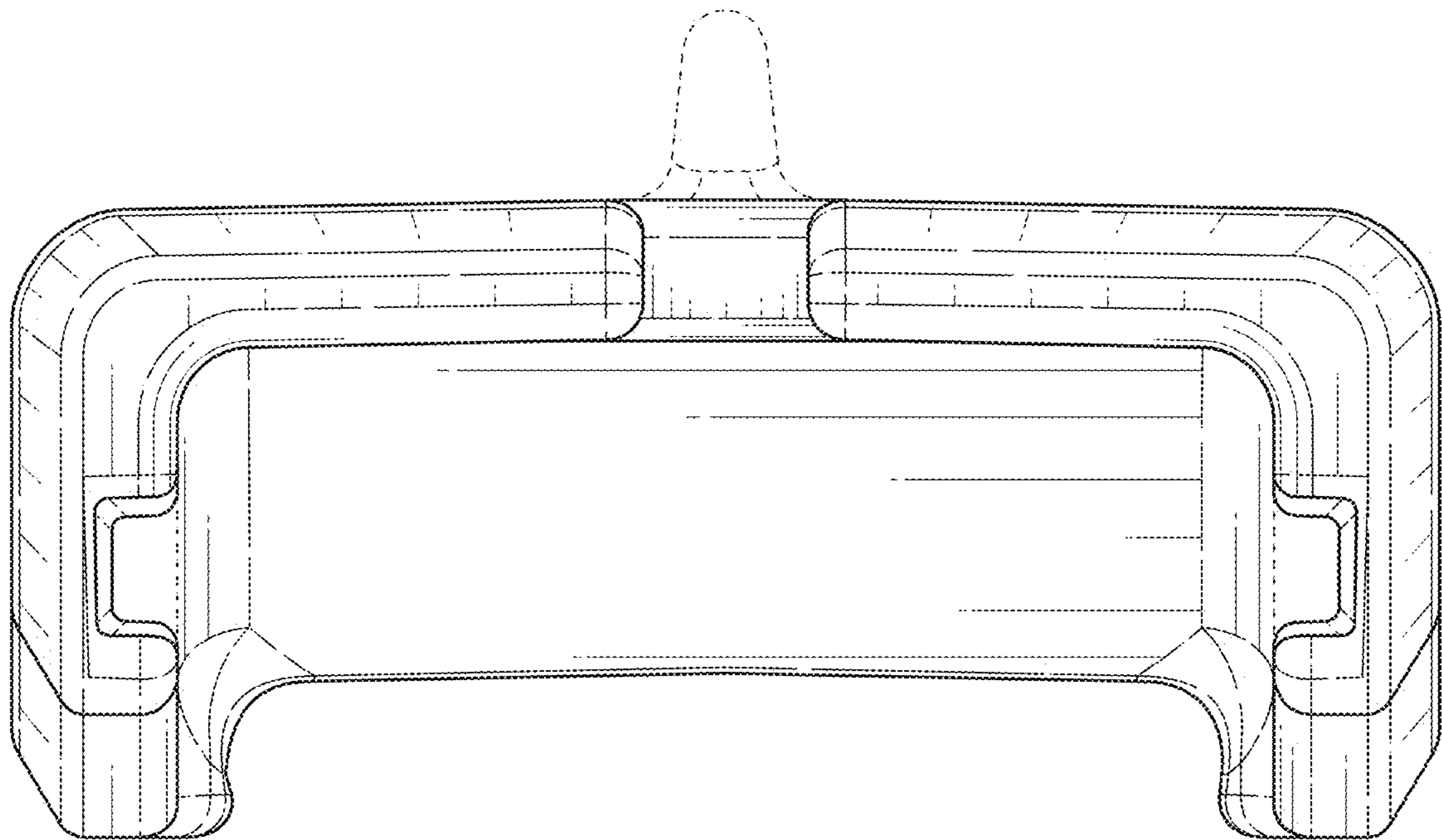


FIG. 3

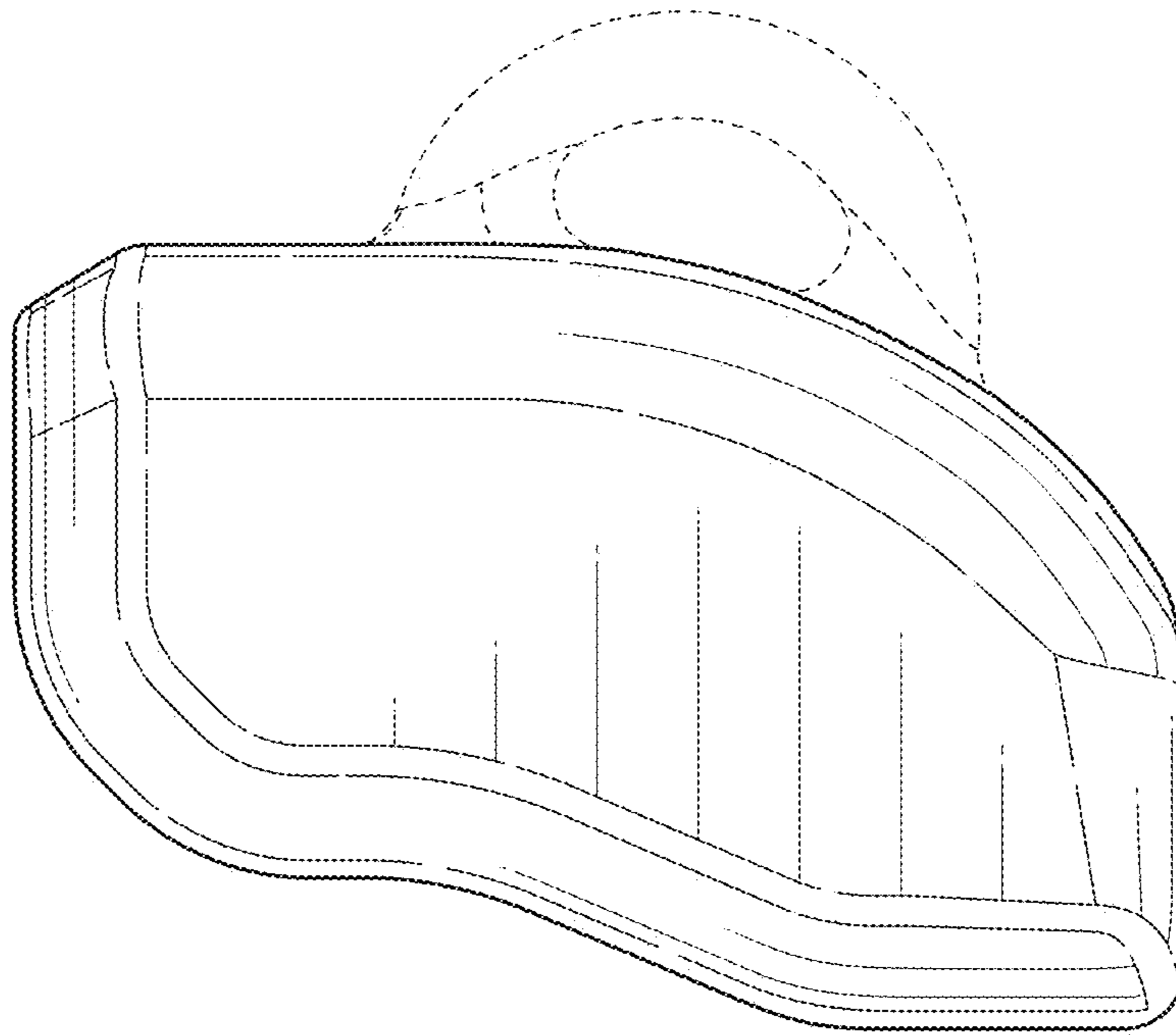


FIG. 4

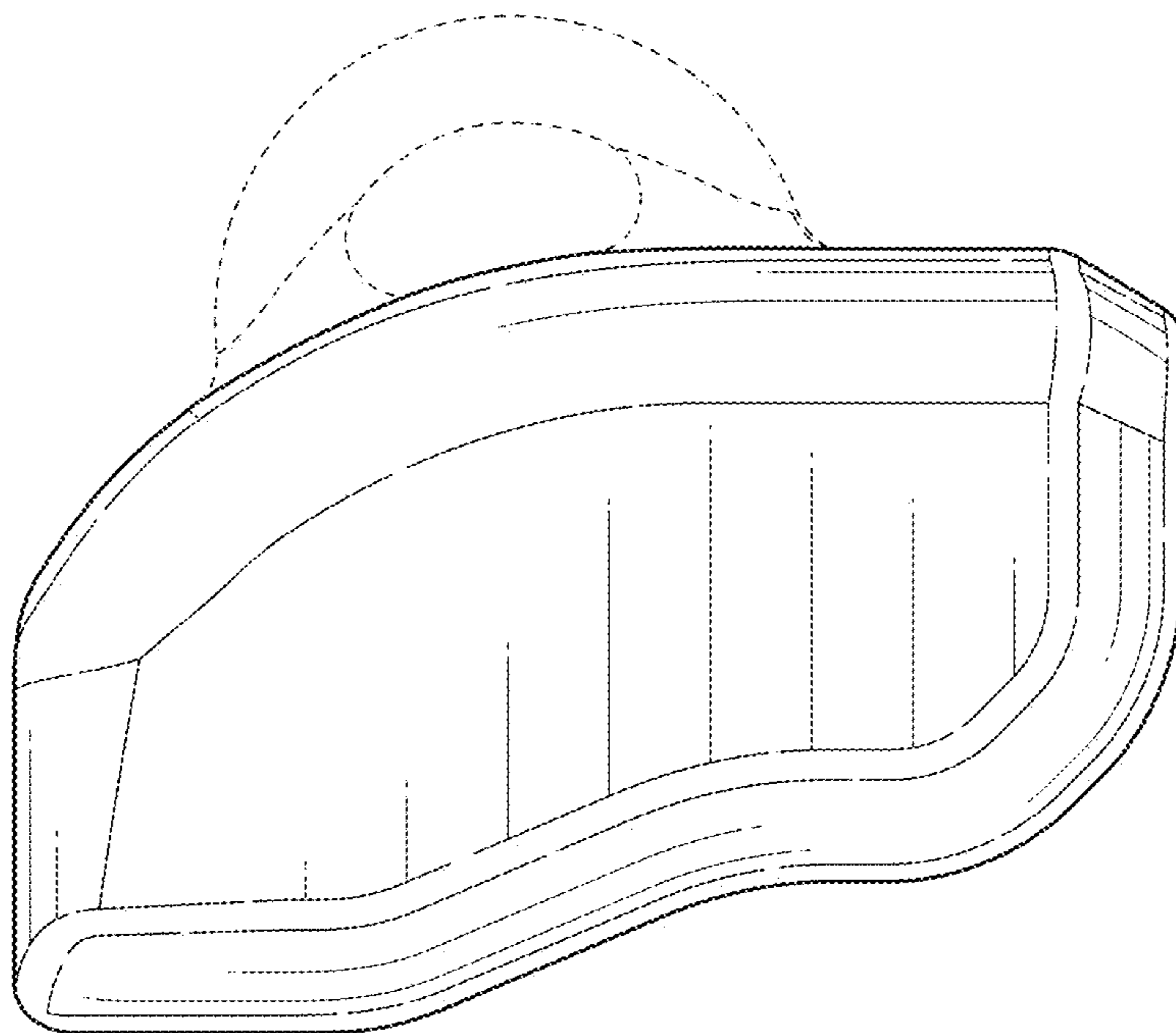


FIG. 5

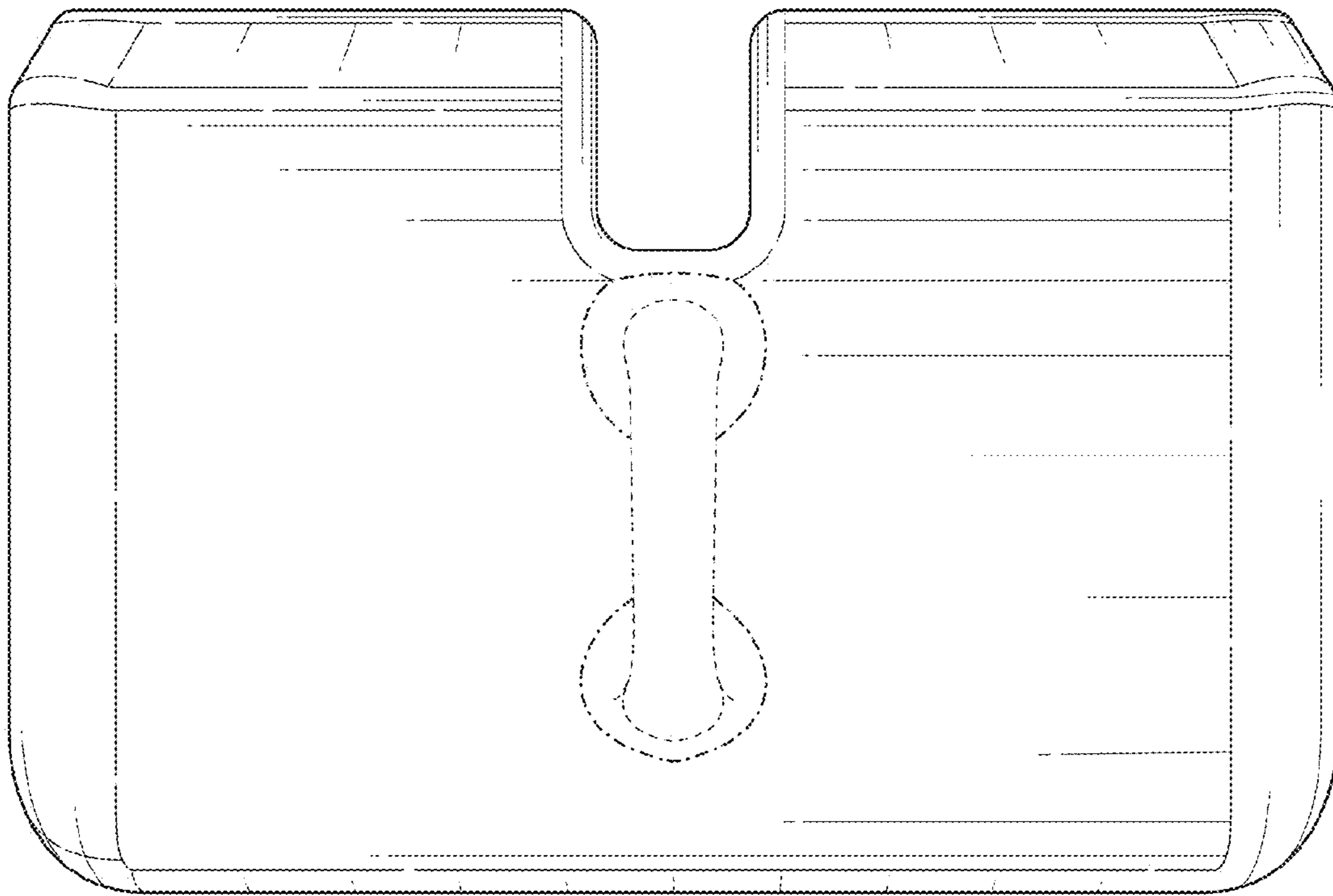


FIG. 6

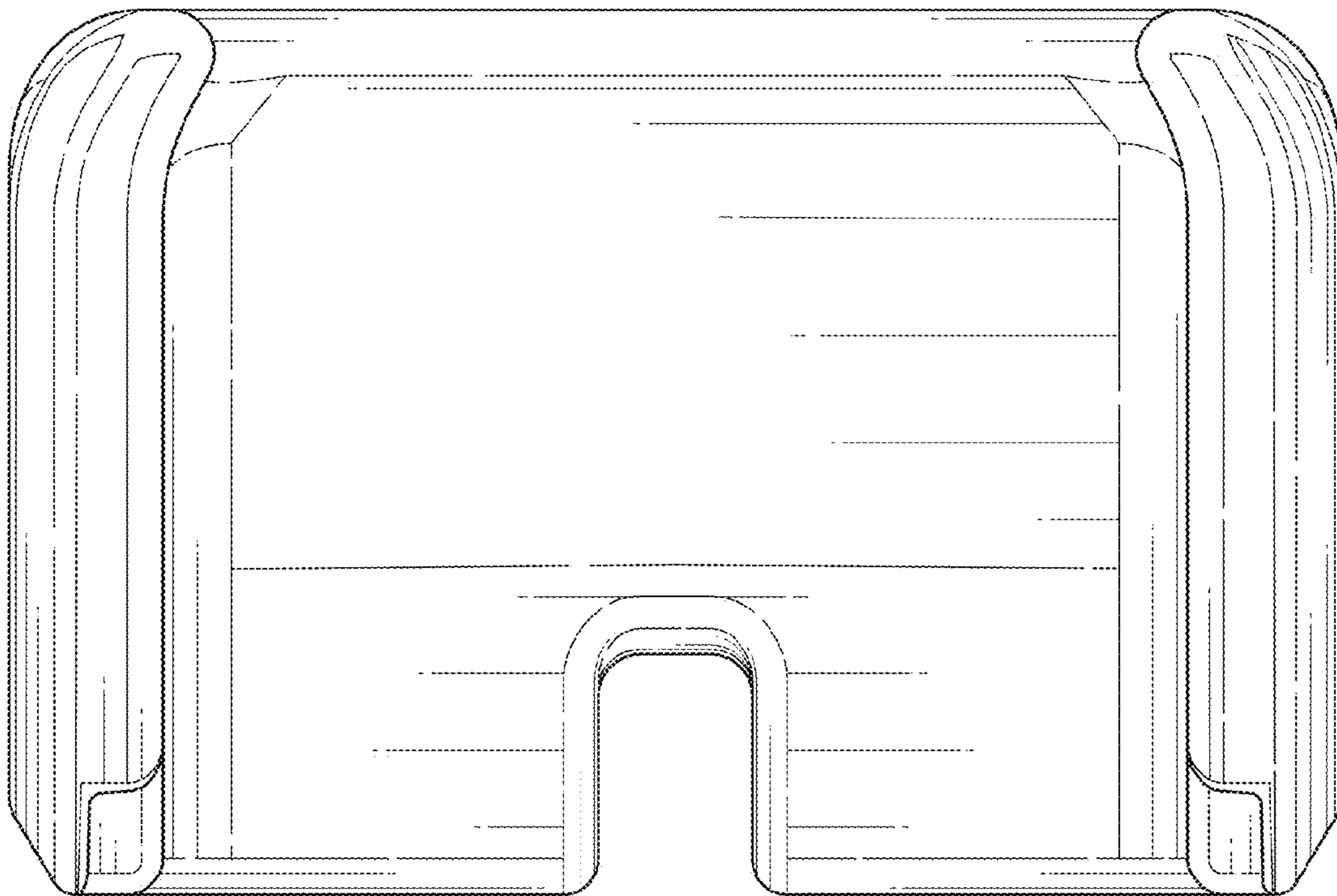


FIG. 7