



US00D983232S

(12) **United States Design Patent**
Yamamoto

(10) **Patent No.:** **US D983,232 S**
(45) **Date of Patent:** **** Apr. 11, 2023**

(54) **BORING MACHINE WITH CASING DRIVER**

2300/09; B60G 2300/32; B60G 2300/40;
B62D 55/116; B62D 55/104

(71) Applicant: **YAMAMOTO FOUNDATION**
WORKS CO., LTD., Kofu (JP)

See application file for complete search history.

(72) Inventor: **Takekazu Yamamoto**, Kofu (JP)

(56) **References Cited**

(73) Assignee: **YAMAMOTO FOUNDATION**
WORKS CO., LTD., Yamanashi (JP)

U.S. PATENT DOCUMENTS

(**) Term: **15 Years**

(21) Appl. No.: **35/514,854**

(22) Filed: **Jul. 22, 2022**

(80) **Hague Agreement Data**

Int. Filing Date: **Jul. 22, 2022**

Int. Reg. No.: **DM/222406**

Int. Reg. Date: **Jul. 22, 2022**

Int. Reg. Pub. Date: **Aug. 5, 2022**

D267,719 S *	1/1983	Case	D15/21
4,449,592 A *	5/1984	Mayer	E21B 19/20
				175/57
5,806,616 A *	9/1998	Enlund	E21B 17/02
				280/755
5,927,408 A *	7/1999	Dummer	E21B 19/20
				175/162
5,931,238 A *	8/1999	Gilmore	E21B 19/146
				175/85
D413,907 S *	9/1999	Suzaki	D15/132
D453,023 S *	1/2002	Kaneko	D15/21
D725,156 S *	3/2015	Saari	D15/21
D780,812 S *	3/2017	Niemczyk	D15/21
9,790,742 B2 *	10/2017	Spreitzer	E21B 7/024
10,329,788 B2 *	6/2019	Jonah	E21B 7/023
D856,376 S *	8/2019	Søe	D15/22
D927,558 S *	8/2021	Yamamoto	E21B 44/00
				D15/21
D943,640 S *	2/2022	Zong	D15/21
D949,929 S *	4/2022	Yamamoto	E21B 44/00
				D15/21

(Continued)

(30) **Foreign Application Priority Data**

Jan. 27, 2022 (JP) 2022-001489 D

(51) **LOC (14) Cl.** **15-04**

(52) **U.S. Cl.**

USPC **D15/21**

CPC **E21B 44/00** (2013.01)

(58) **Field of Classification Search**

USPC D15/21-26, 132; 173/152.46, 152.49,
173/152.51, 152.54, 152.59, 11, 24, 48,
173/25-28, 189, 9.5, 9.52

CPC E21B 7/023; E21B 7/024; E21B 7/022;
E21B 7/02; E21B 7/027; E21B 3/02;
E21B 44/00; B60G 17/005; B60G

Primary Examiner — Richard E Chilcot

(74) *Attorney, Agent, or Firm* — Wenderoth, Lind & Ponack, L.L.P.

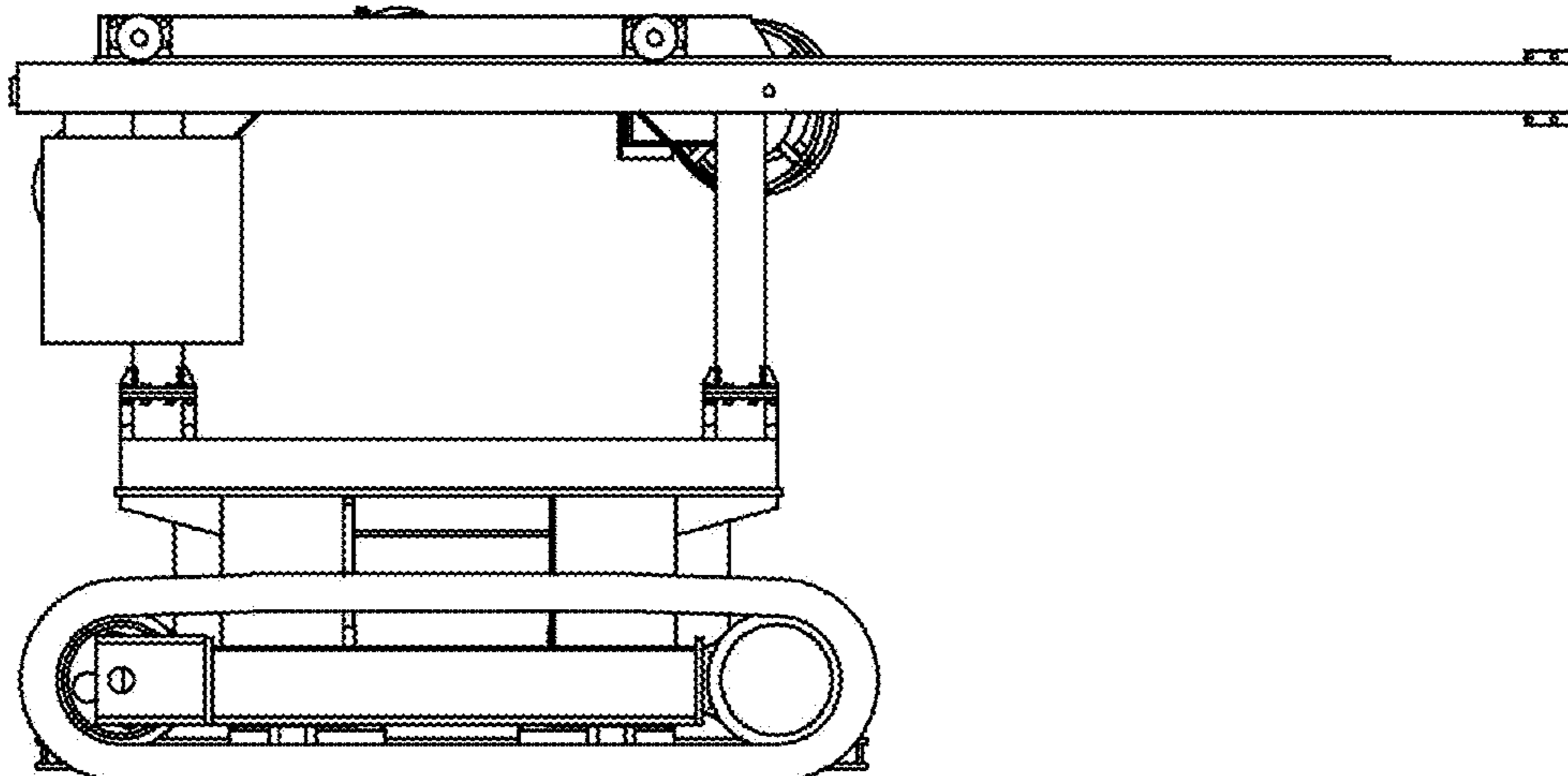
(57) **CLAIM**

The ornamental design for a boring machine with casing driver, as shown and described.

DESCRIPTION

1. Boring machine with casing driver
- 1.1 : Front
- 1.2 : Back
- 1.3 : Left
- 1.4 : Right
- 1.5 : Top
- 1.6 : Cross sectional

(Continued)



The boring machine with casing driver is used for such as excavating the ground, driving piles, to perform pile foundation work; A bottom view is omitted because the article is a heavy object.

1 Claim, 6 Drawing Sheets

(56)

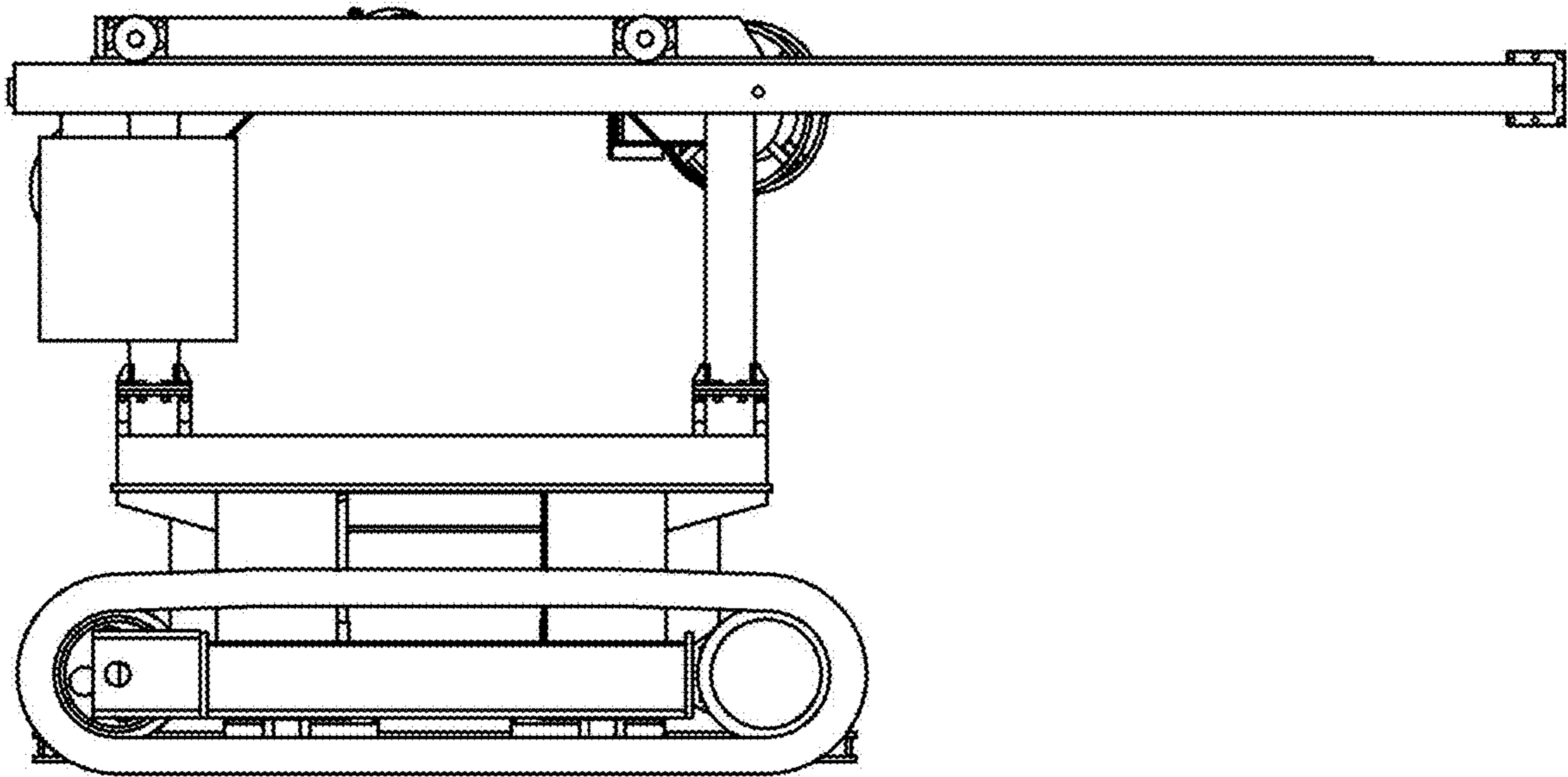
References Cited

U.S. PATENT DOCUMENTS

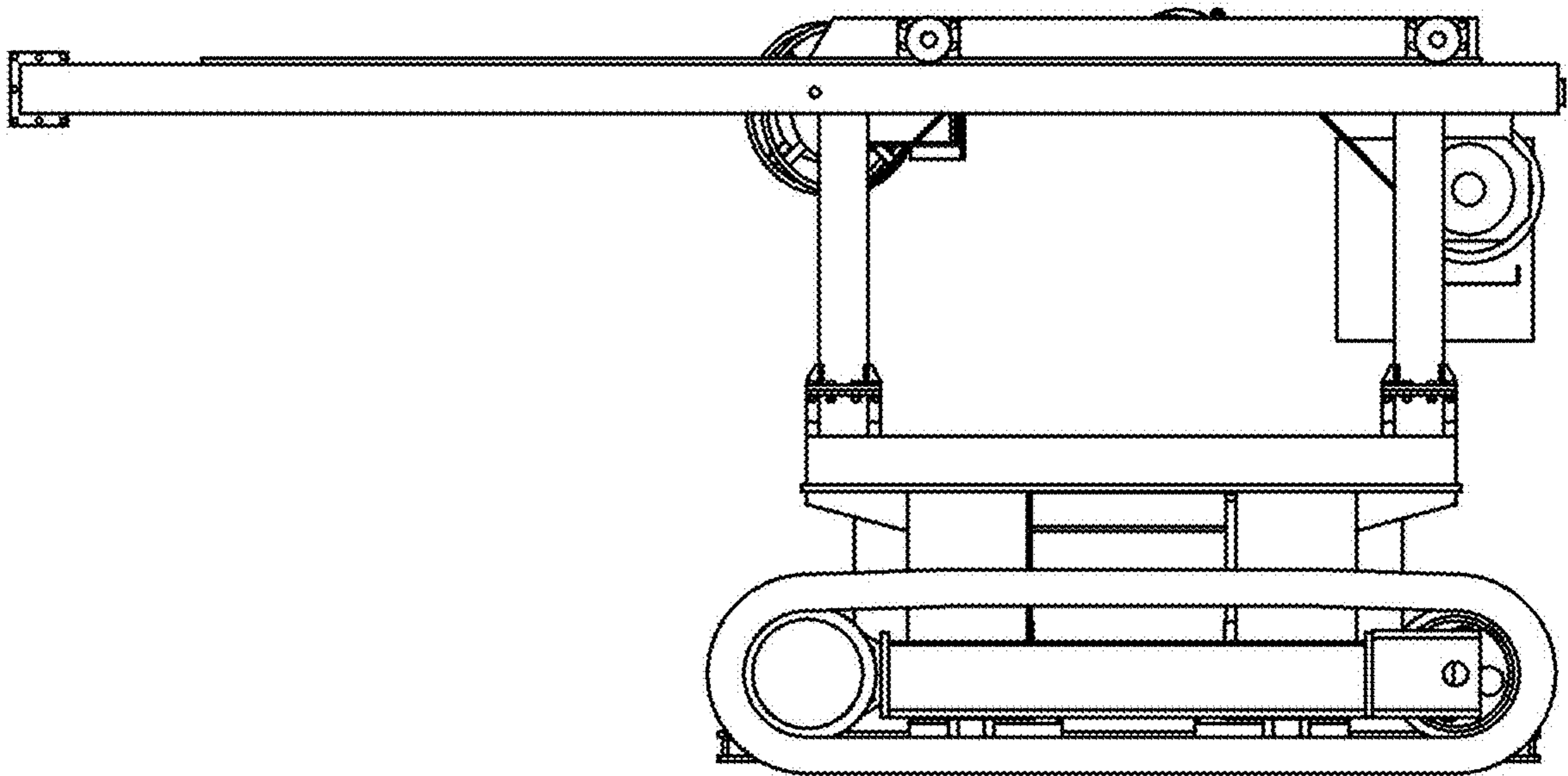
2004/0178004 A1* 9/2004 MacDonald E21B 7/025
175/203
2009/0283324 A1* 11/2009 Konduc A61P 9/00
175/57
2014/0284107 A1* 9/2014 Klein E21B 7/023
175/55
2016/0376808 A1* 12/2016 Magnuson E21B 15/00
52/745.18
2018/0112467 A1* 4/2018 Chiaramonte F15B 11/165
2020/0024907 A1* 1/2020 Gupta E21B 19/14
2020/0115974 A1* 4/2020 Hudson B23B 51/0054

* cited by examiner

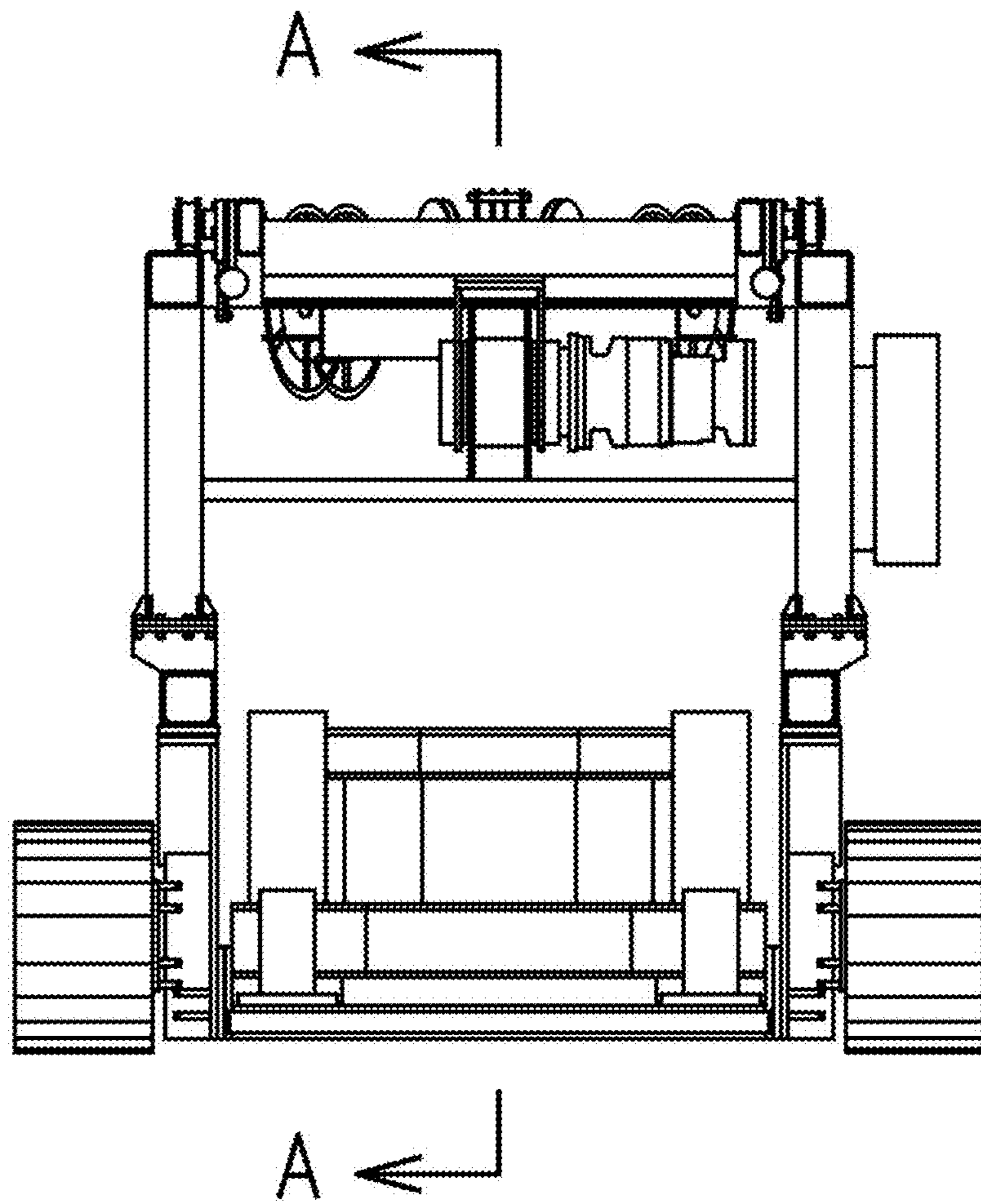
1.1



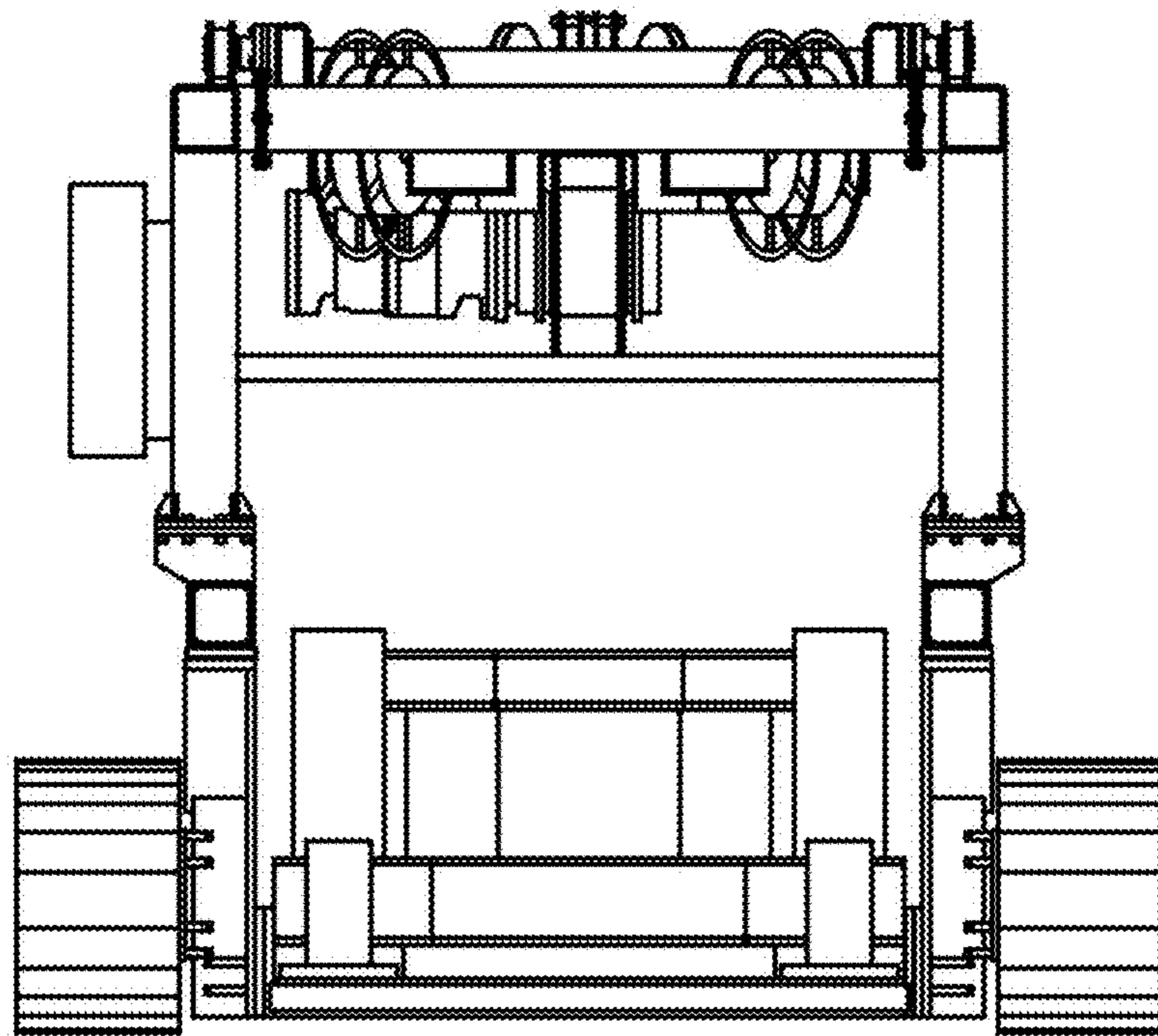
1.2



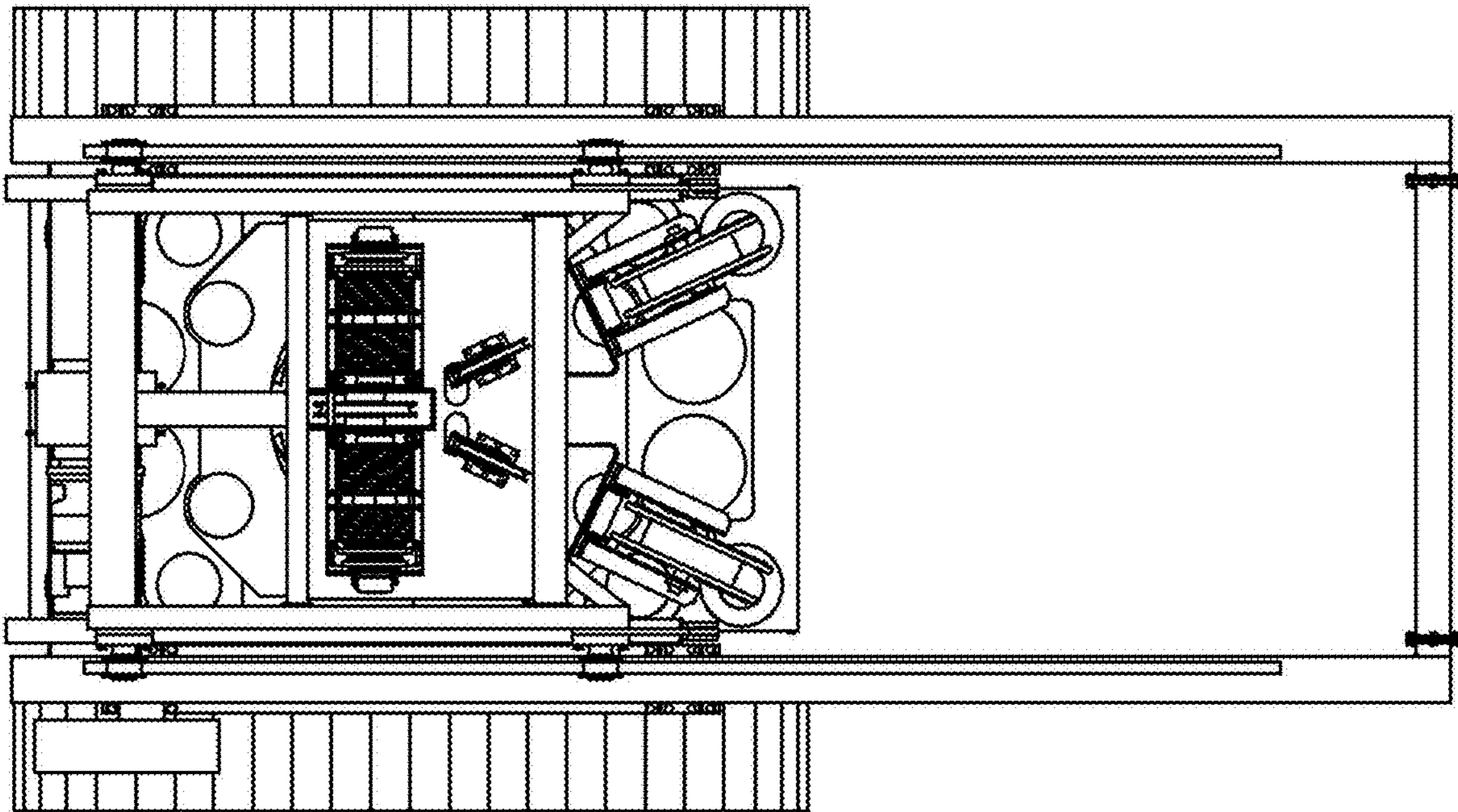
1.3



1.4



1.5



1.6

