



US00D983211S

(12) **United States Design Patent**
Zhong

(10) **Patent No.:** **US D983,211 S**
(45) **Date of Patent:** **** Apr. 11, 2023**

- (54) **COMPUTER KEYBOARD SHELL**
- (71) Applicant: **Wei Zhong**, Jiangsu (CN)
- (72) Inventor: **Wei Zhong**, Jiangsu (CN)
- (**) Term: **15 Years**
- (21) Appl. No.: **29/760,642**
- (22) Filed: **Dec. 2, 2020**
- (51) **LOC (14) Cl.** **14-02**
- (52) **U.S. Cl.**
USPC **D14/455**
- (58) **Field of Classification Search**
USPC D14/391-393, 396, 320, 247, 455, 457;
D18/1, 2, 6, 7
CPC H01H 13/70; H01H 3/122
See application file for complete search history.

D901,503 S * 11/2020 Lee D14/391
 10,942,581 B2 * 3/2021 Shipman G06F 3/0202
 2013/0270090 A1 * 10/2013 Lee H01H 13/83
 200/5 A

* cited by examiner

Primary Examiner — Keli L Hill
Assistant Examiner — Harold E Blackwell, II

(57) **CLAIM**

The ornamental design for a computer keyboard shell, as shown and described.

DESCRIPTION

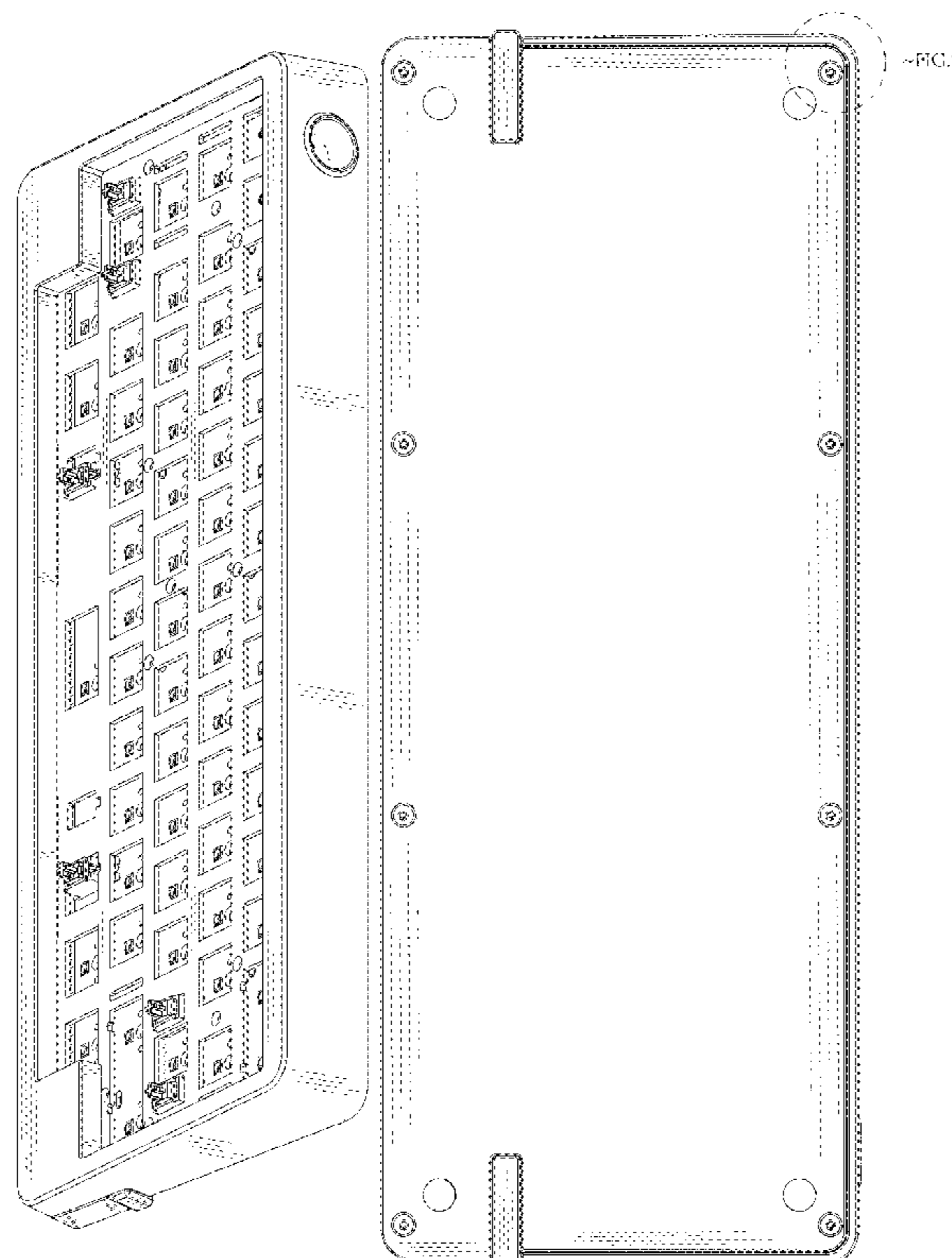
FIG. 1 is a perspective view of a computer keyboard shell showing my new design;
 FIG. 2 is a front elevation view thereof;
 FIG. 3 is a rear elevation view thereof;
 FIG. 4 is a left side elevation view thereof;
 FIG. 5 is a right side elevation view thereof;
 FIG. 6 is a top plan view thereof, shown enlarged in scale;
 FIG. 7 is a bottom plan view thereof, shown enlarged in scale;
 FIG. 8 is an enlarged view of the computer keyboard shell taken from the circle part in FIG. 2; and,
 FIG. 9 is an enlarged view of the computer keyboard shell taken from the circle part in FIG. 3.
 The broken lines depict portion of the computer keyboard shell and form no part of the claimed design.

(56) **References Cited**

U.S. PATENT DOCUMENTS

D272,624 S *	2/1984	Genaro	D18/7
D281,689 S *	12/1985	Peroni	D14/392
D285,305 S *	8/1986	Liuzzo	D14/396
5,421,659 A *	6/1995	Liang	B41J 5/10 235/145 R
D438,207 S *	2/2001	Baker	D14/384
D455,428 S *	4/2002	Andres	D14/396
6,400,357 B1 *	6/2002	Chao	G06F 3/0202 400/472
6,776,547 B1 *	8/2004	Dubois	H01H 3/122 400/490
D522,514 S *	6/2006	Norman	D14/397

1 Claim, 9 Drawing Sheets



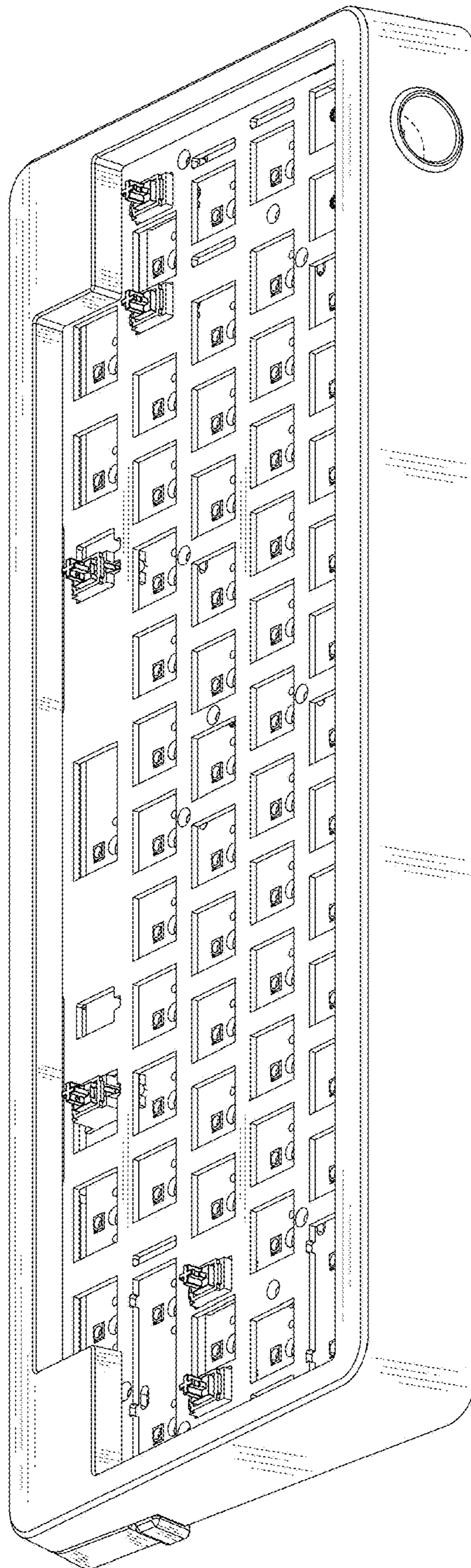


FIG. 1

~FIG.8

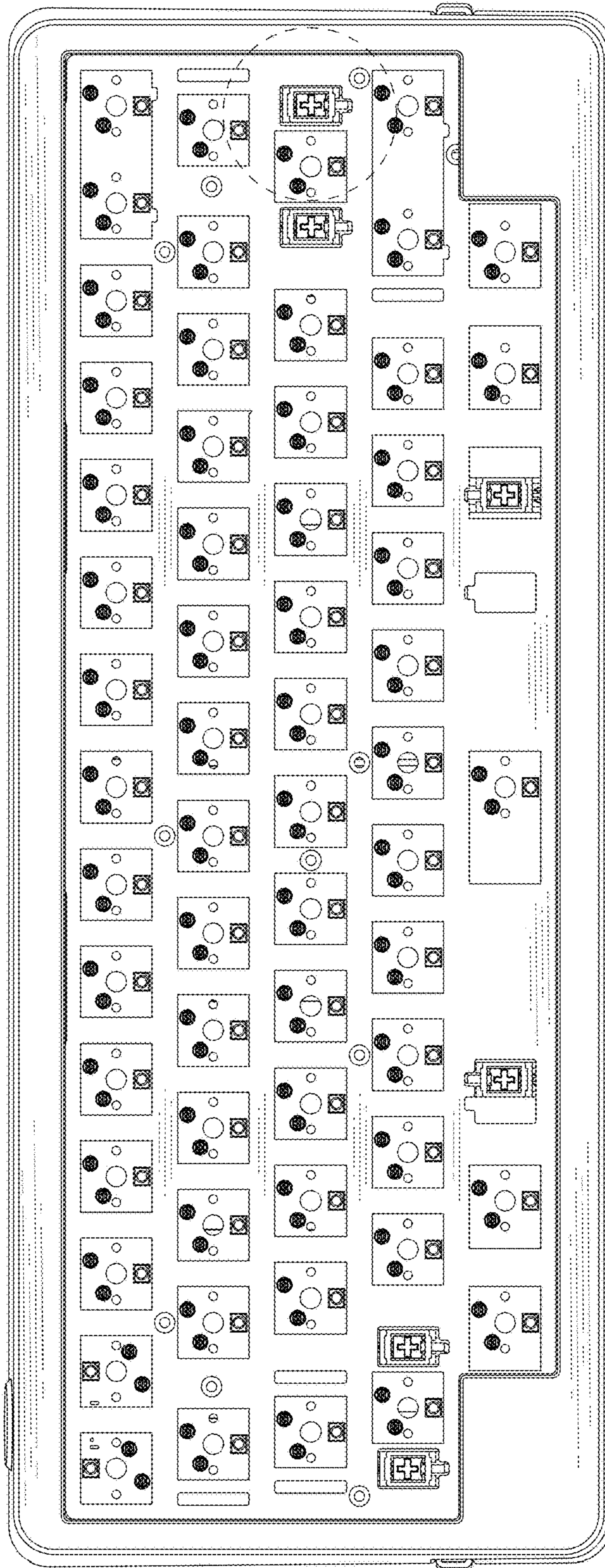


FIG. 2

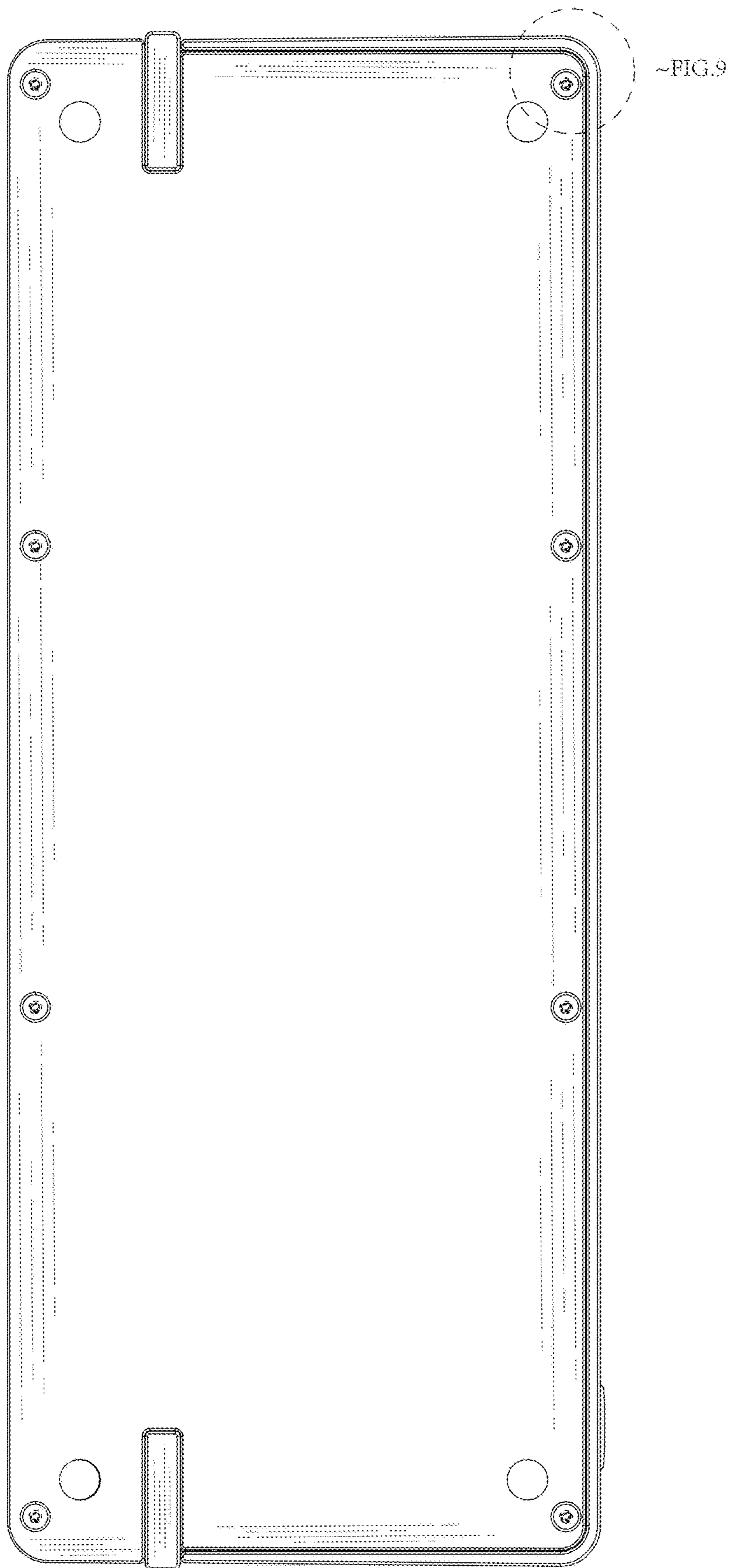


FIG. 3

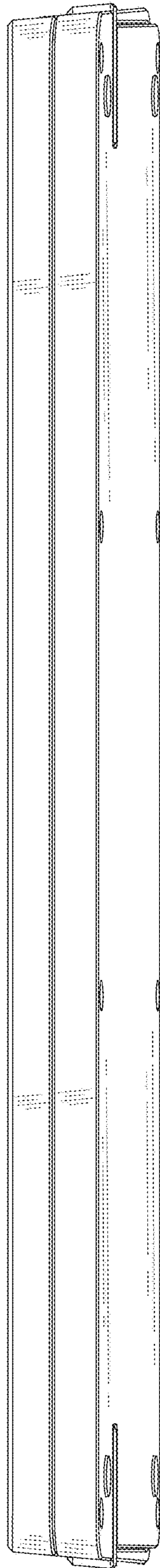


FIG. 4

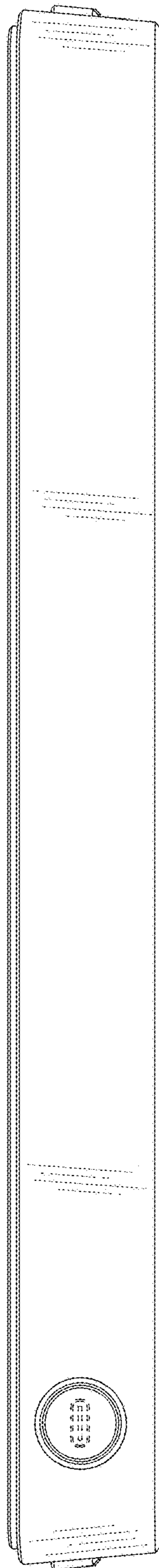


FIG. 5

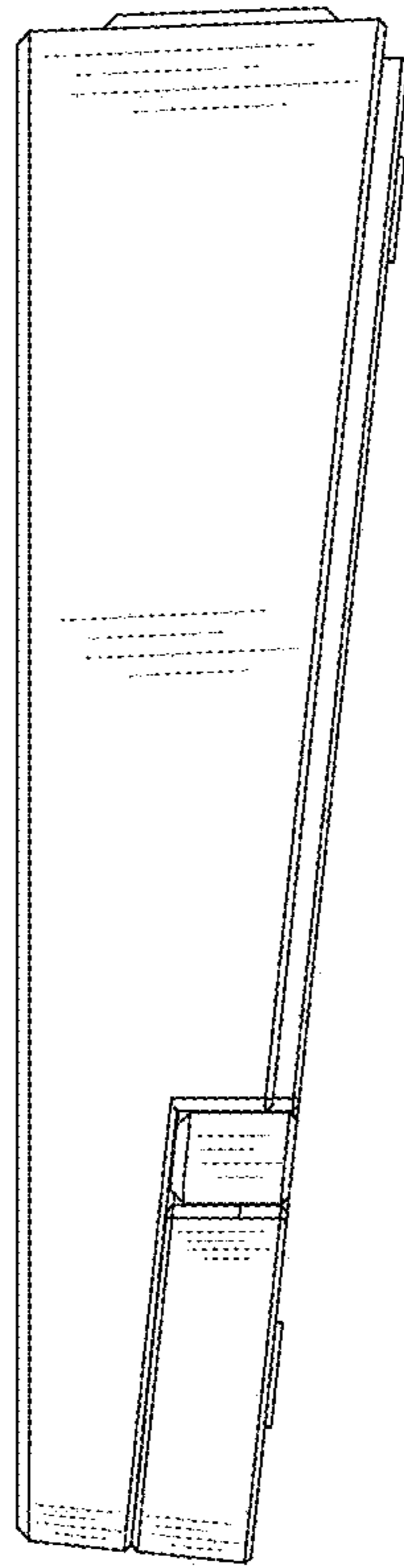


FIG. 6

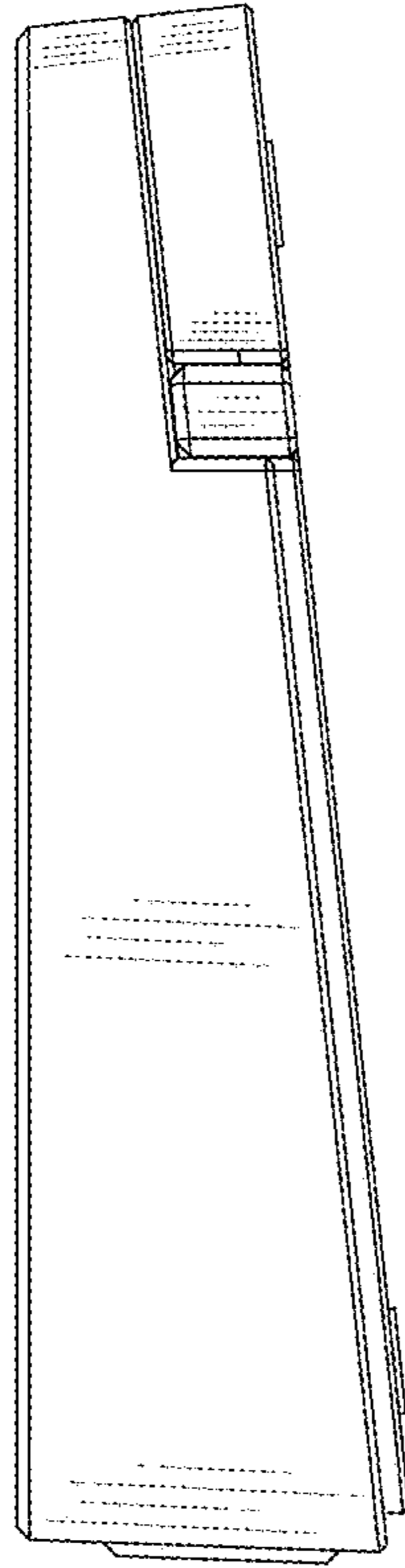


FIG. 7

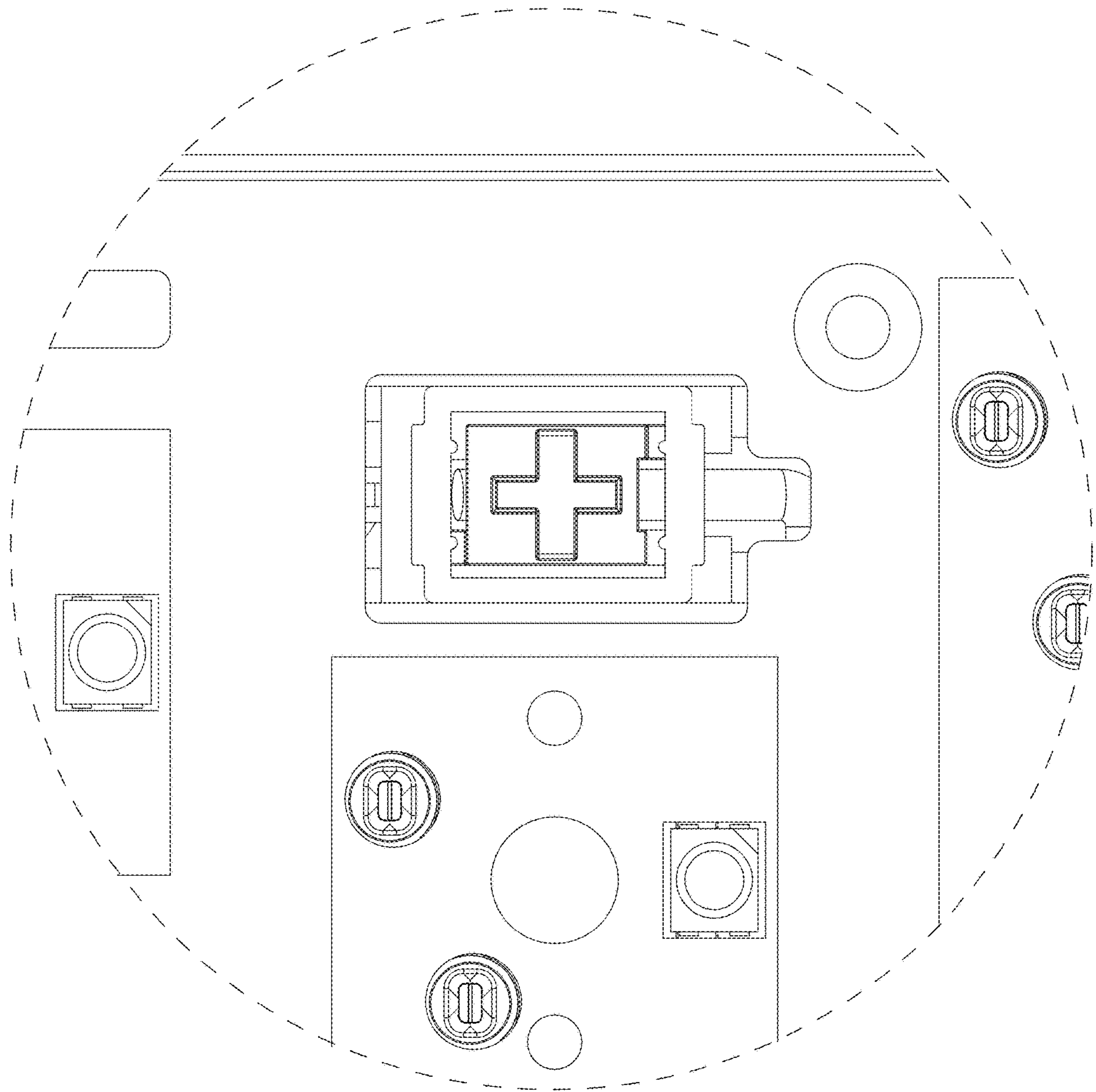


FIG. 8

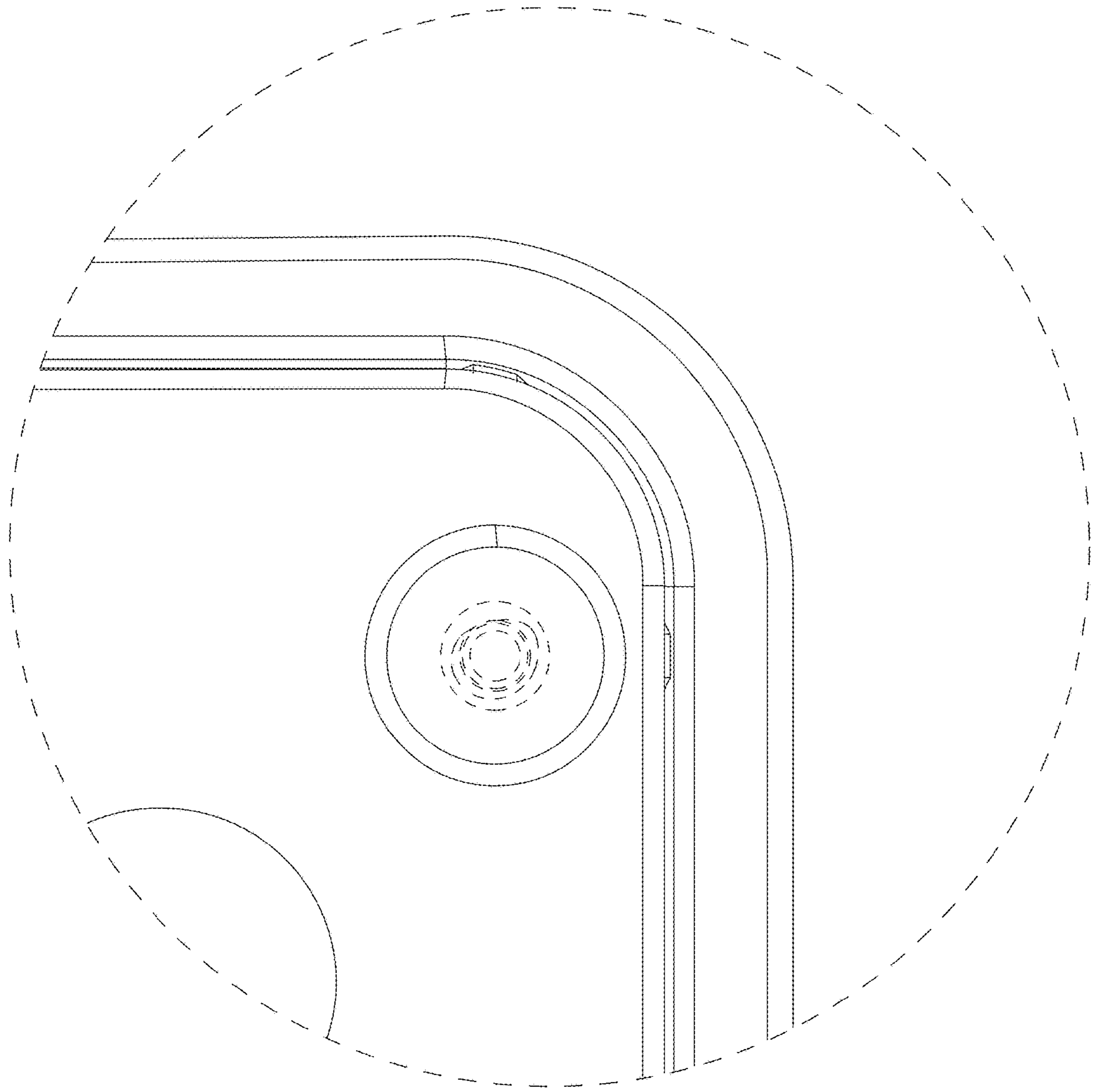


FIG. 9