



US00D983210S

(12) **United States Design Patent** (10) **Patent No.:** **US D983,210 S**  
**Lee** (45) **Date of Patent:** **\*\* Apr. 11, 2023**

(54) **STAND FOR TABLET COMPUTER**

(71) Applicant: **ELAGO CO. LTD**, Goyang-si (KR)

(72) Inventor: **Chanwoo Lee**, Goyang-si (KR)

(73) Assignee: **elago CO. LTD**, Goyang-si (KR)

(\*\*) Term: **15 Years**

(21) Appl. No.: **29/863,694**

(22) Filed: **Dec. 21, 2022**

(51) **LOC (14) Cl.** ..... **14-02**

(52) **U.S. Cl.**  
USPC ..... **D14/447**

(58) **Field of Classification Search**  
USPC ..... D14/447, 432, 434, 439, 440, 451, 452,  
D14/457, 239, 251, 253; D8/363, 373,  
D8/380; D6/406.3, 406.4, 406.5, 406.6;  
D12/415; D19/91; D3/218  
CPC ..... A47B 21/04; A47B 2097/006; A47B  
2097/005; A47B 2023/049; A45C  
2011/002; A45C 2011/003; F16M  
2200/00; F16M 13/00; A45F 2200/0516;  
A45F 2200/0525

See application file for complete search history.

(56) **References Cited**

**U.S. PATENT DOCUMENTS**

D531,631 S	11/2006	Andre et al.	
D592,188 S *	5/2009	Huang	D14/447
D640,247 S *	6/2011	Baumann	D14/253
D649,153 S *	11/2011	Symons	D14/447
8,047,488 B2	11/2011	Wang et al.	
D689,478 S	9/2013	Wikel et al.	
D703,676 S	4/2014	Smith et al.	
8,888,058 B2 *	11/2014	Zaharakis	F16M 13/00 248/176.1
D756,367 S	5/2016	Kim	

9,348,376 B2	5/2016	Kamepalli et al.	
D760,724 S *	7/2016	Kang	D14/447
D789,348 S *	6/2017	Kim	D14/251
9,680,253 B2	6/2017	Mehandjiysky et al.	
D791,861 S	7/2017	Battle	
D792,415 S *	7/2017	Tsai	D14/447
D839,869 S *	2/2019	Wang	D14/447
D842,305 S *	3/2019	Gao	D14/447
D844,690 S *	4/2019	Laurans	D16/244
D870,718 S *	12/2019	Peters	D14/447
10,563,812 B2 *	2/2020	Chen	F16M 11/041
D905,686 S *	12/2020	Zhang	D14/253
D929,986 S	9/2021	Chen	
D931,291 S	9/2021	Lye	

(Continued)

**FOREIGN PATENT DOCUMENTS**

CN	303793190	8/2016
CN	303870983	9/2016

(Continued)

*Primary Examiner* — Angela J Lee

(74) *Attorney, Agent, or Firm* — Paratus Law Group, PLLC

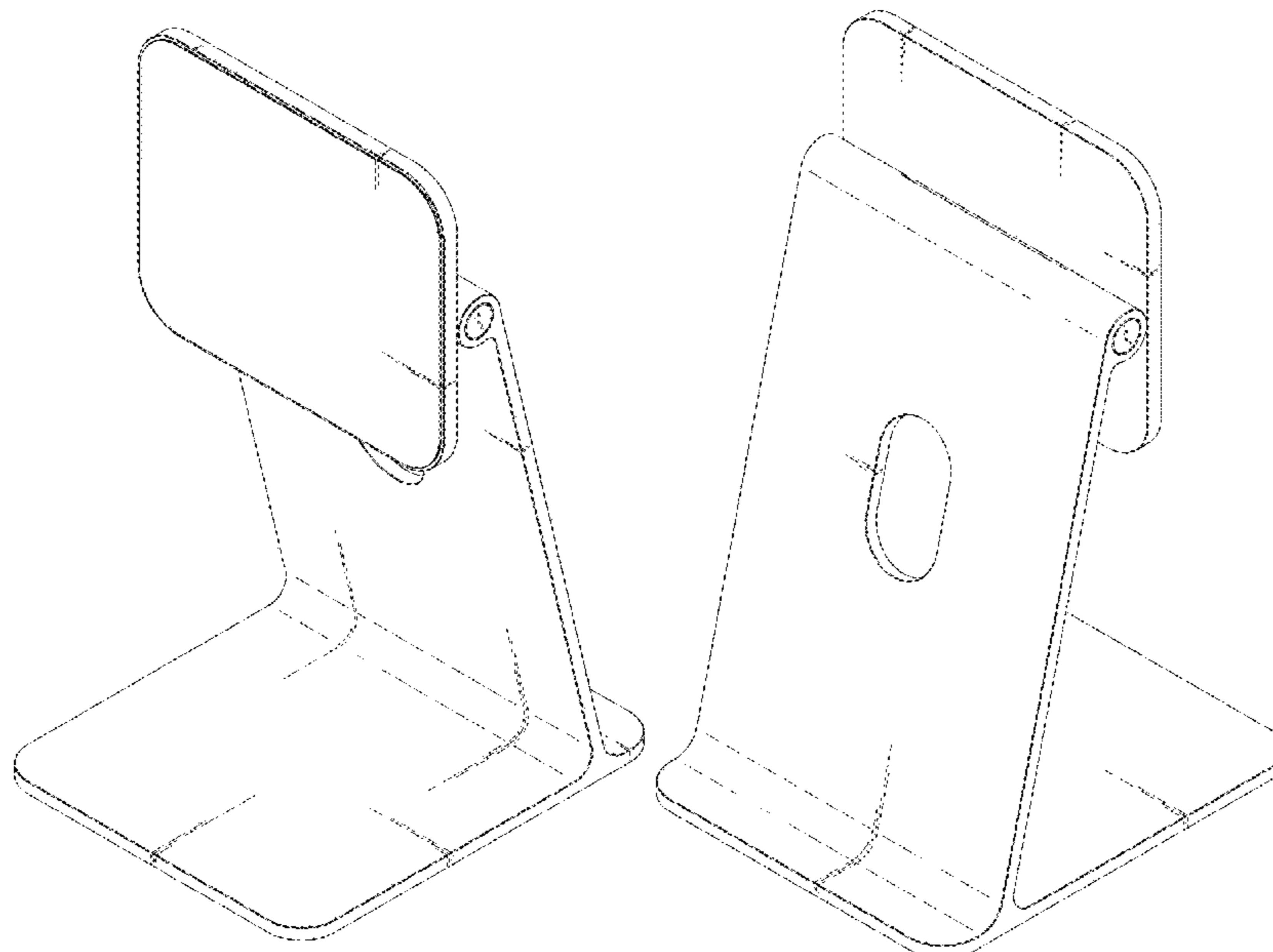
(57) **CLAIM**

The ornamental design for a stand for tablet computer, as shown and described.

**DESCRIPTION**

FIG. 1 is a front, top, and right side perspective view of a stand for tablet computer, showing my design;  
FIG. 2 is a front view thereof;  
FIG. 3 is a back view thereof;  
FIG. 4 is a left side view thereof;  
FIG. 5 is a right side view thereof;  
FIG. 6 is a top view thereof;  
FIG. 7 is a bottom view thereof; and,  
FIG. 8 is a rear, top, and left side perspective view thereof.

**1 Claim, 8 Drawing Sheets**



(56)

**References Cited**

U.S. PATENT DOCUMENTS

D946,001 S     3/2022 Liao  
D952,644 S     5/2022 Lee

FOREIGN PATENT DOCUMENTS

GB             4024772        1/2013  
JP             D1586376       9/2017

\* cited by examiner

FIG. 1

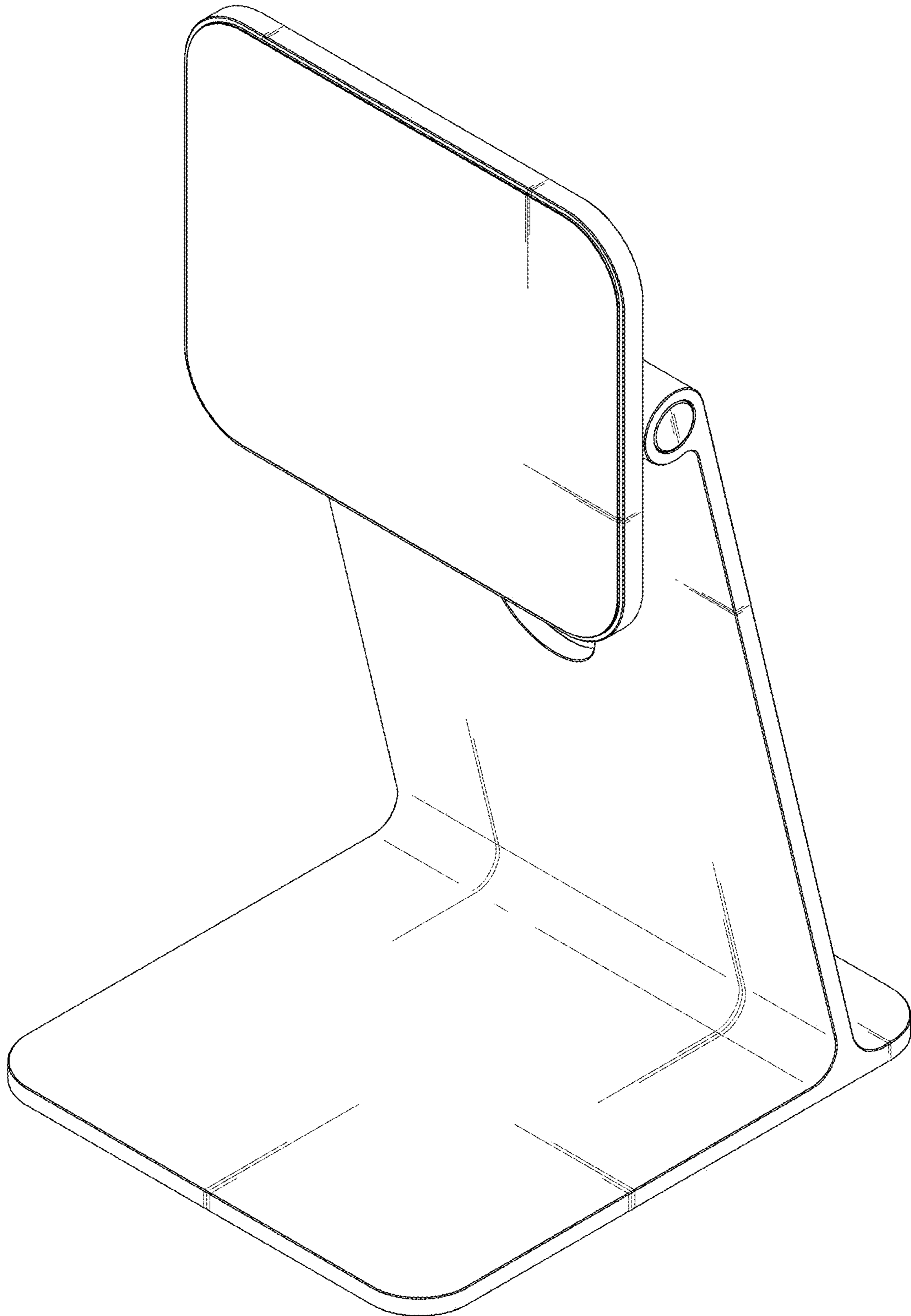


FIG. 2

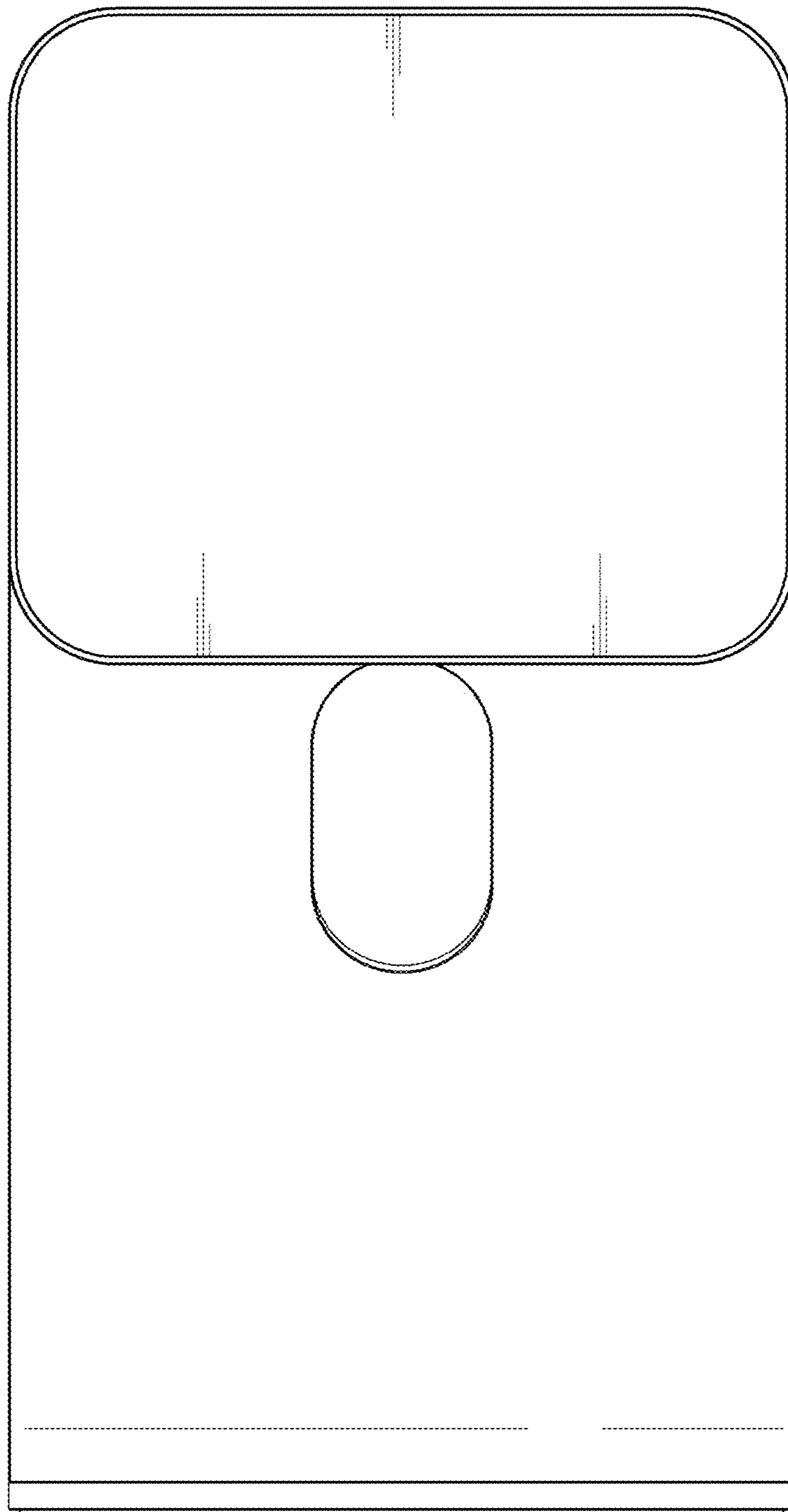


FIG. 3

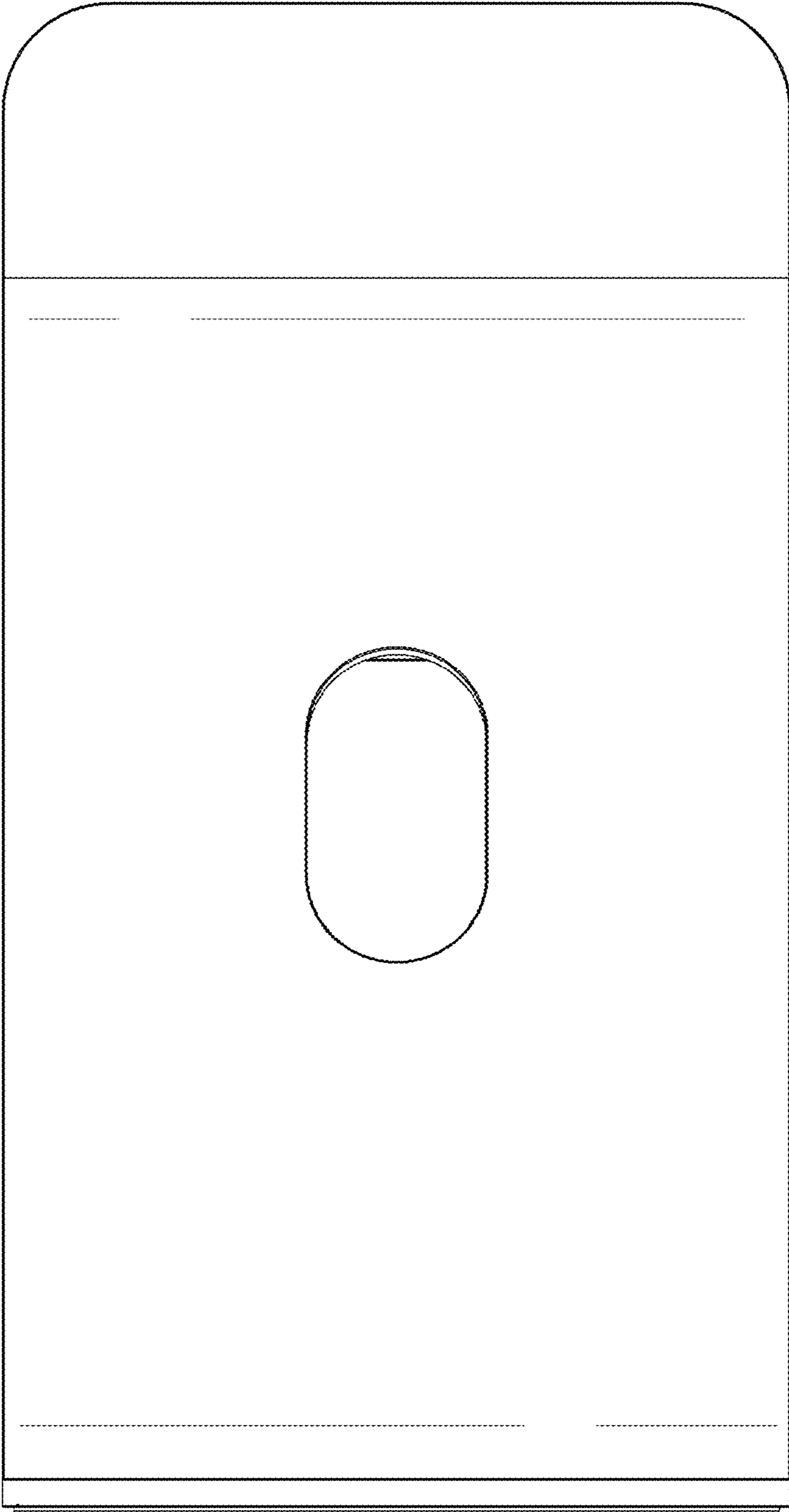


FIG. 4

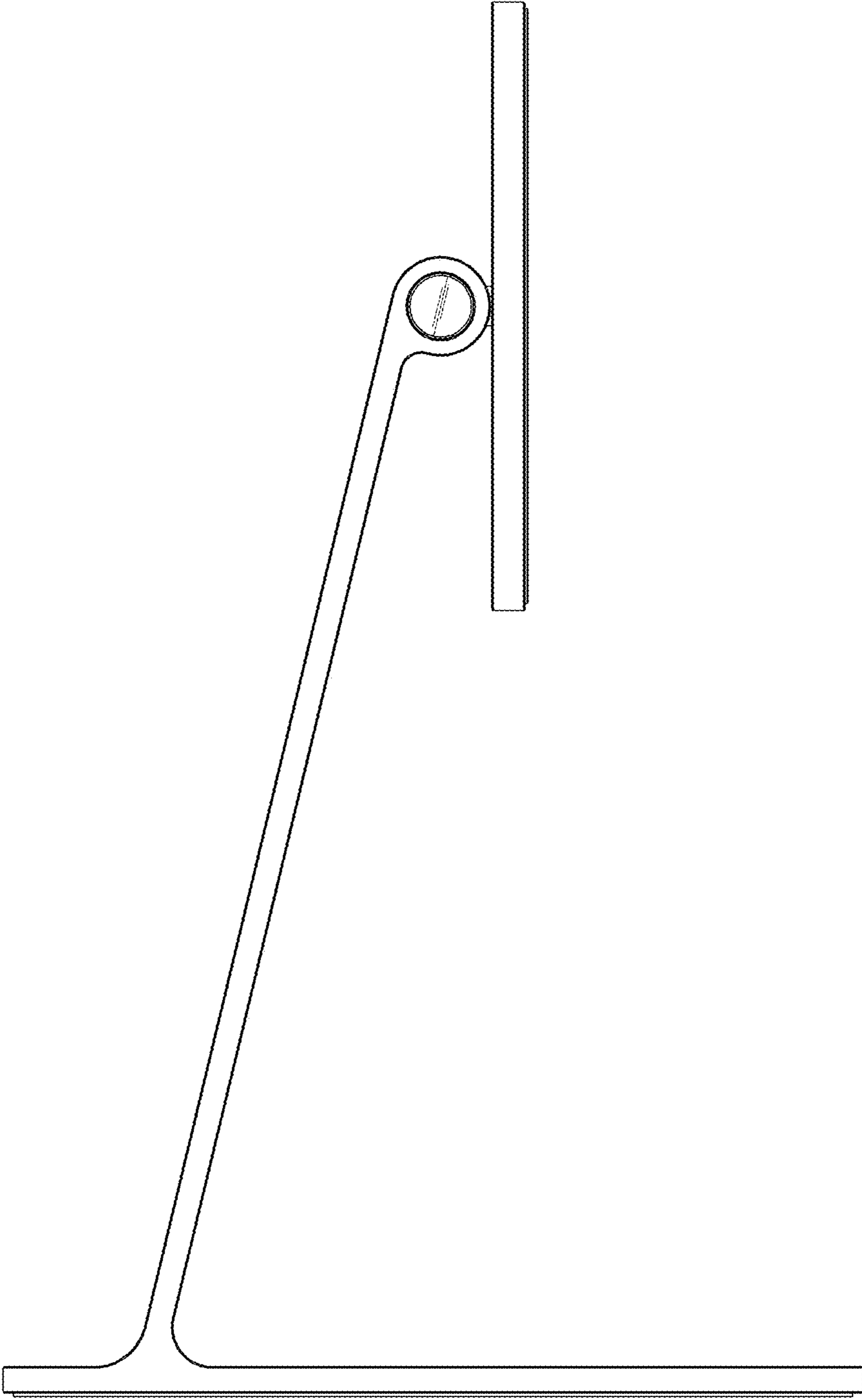


FIG. 5

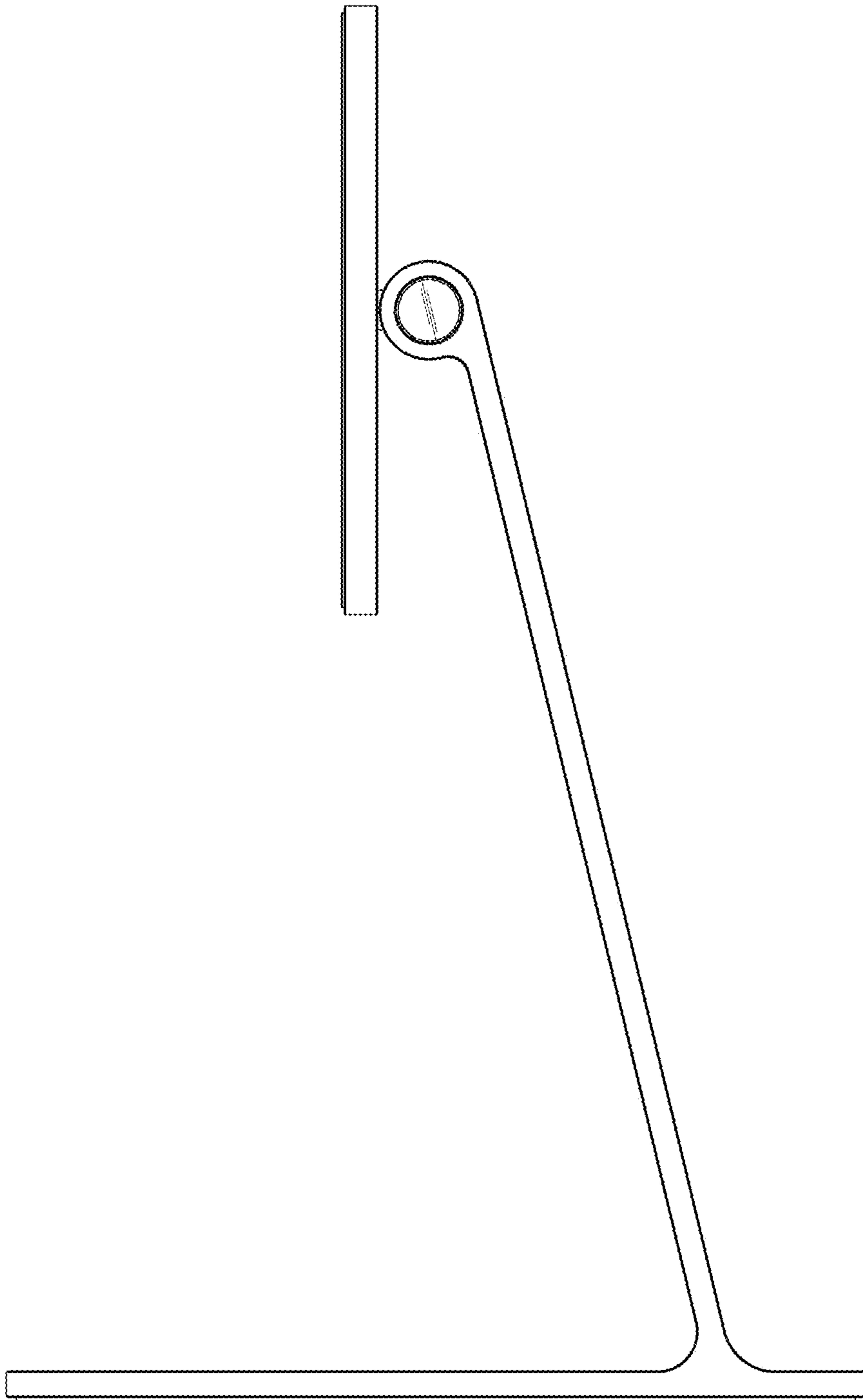


FIG. 6

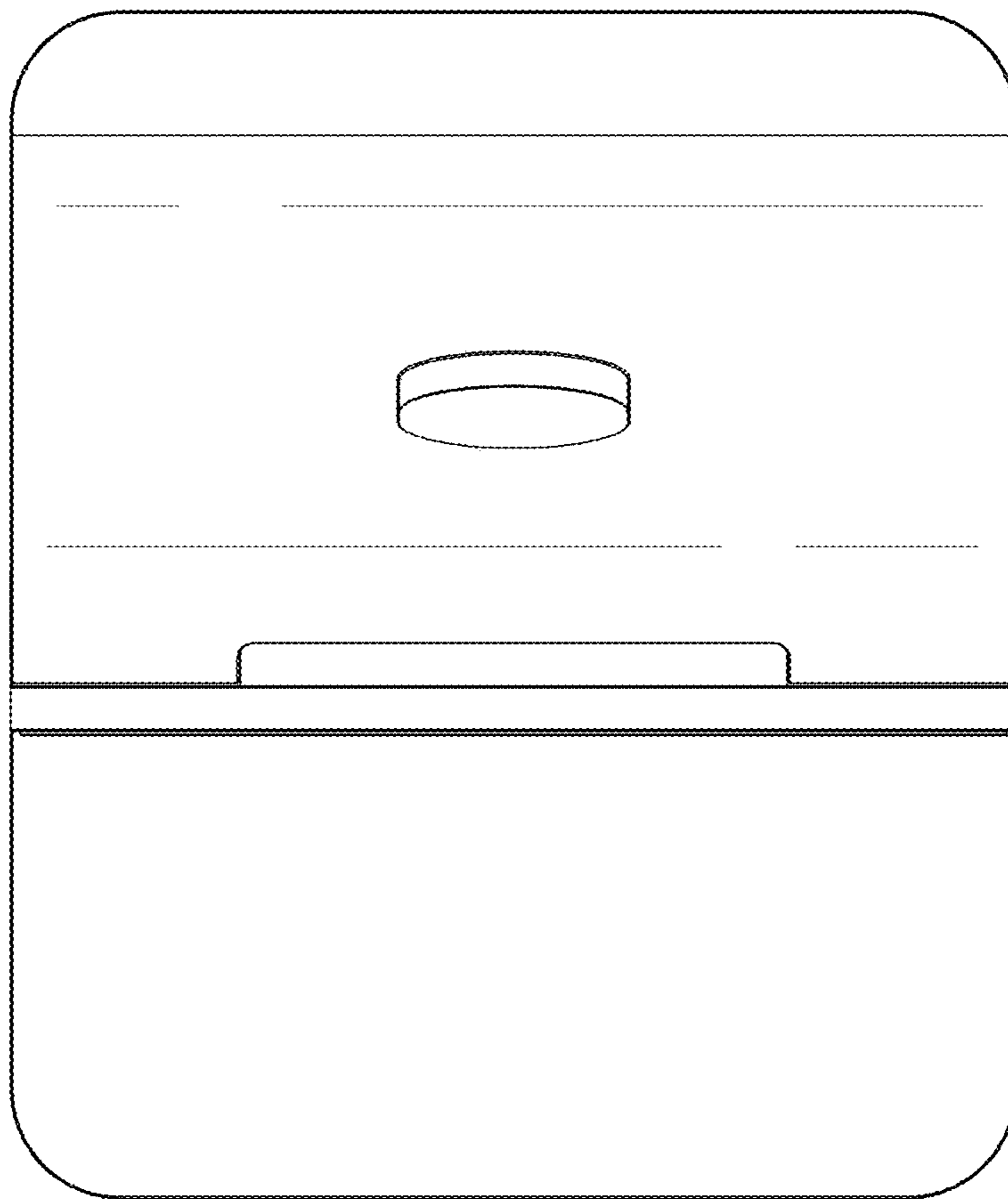




FIG. 7

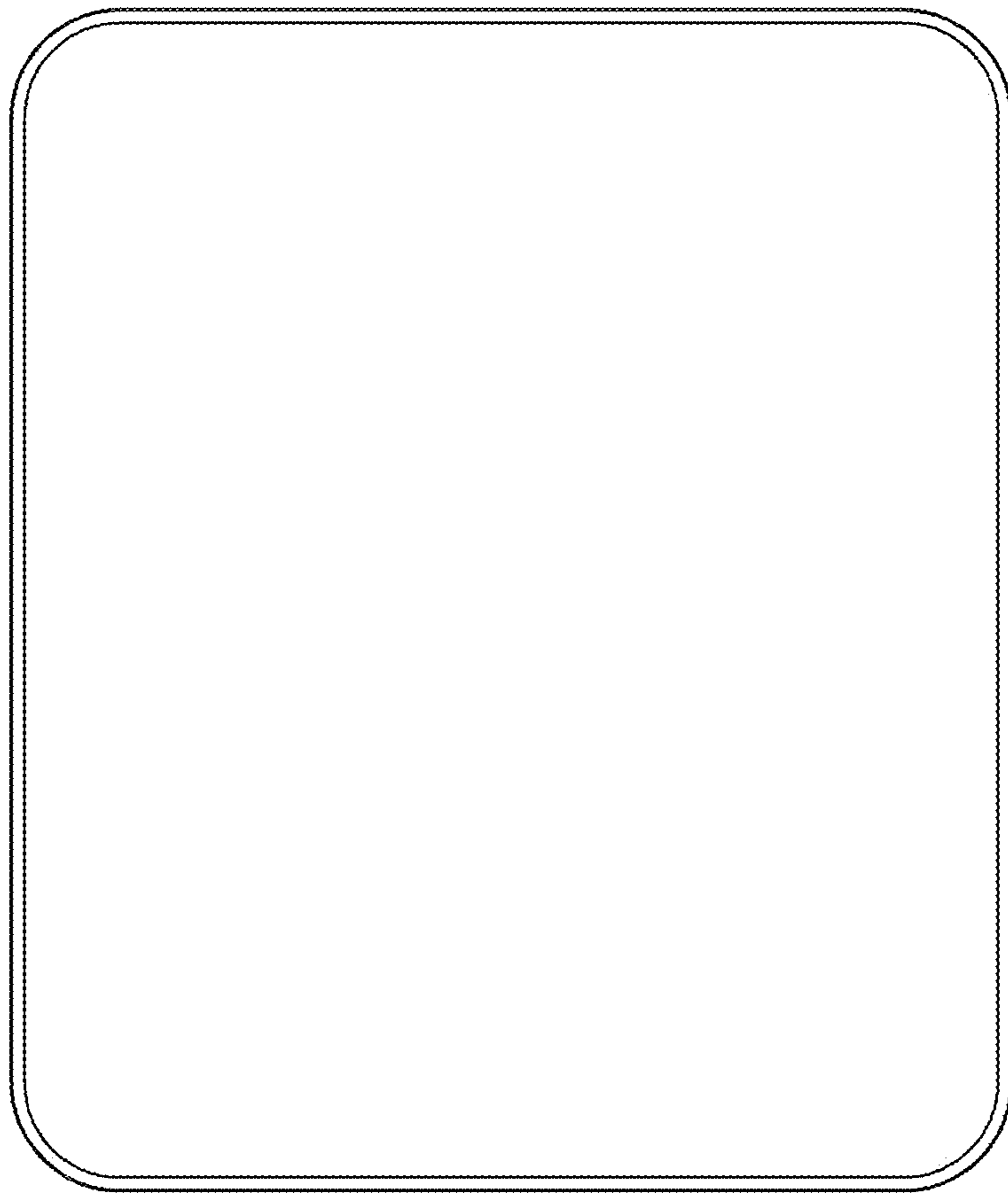


FIG. 8

