



US00D983209S

(12) **United States Design Patent** (10) **Patent No.:** **US D983,209 S**
Lee (45) **Date of Patent:** **** Apr. 11, 2023**

(54) **STAND FOR SMART WATCH**
(71) Applicant: **ELAGO CO. LTD**, Goyang-si (KR)
(72) Inventor: **Chanwoo Lee**, Goyang-si (KR)
(73) Assignee: **elago CO. LTD**, Goyang-Si (KR)
(**) Term: **15 Years**

D898,745 S * 10/2020 Ye D14/440
D924,826 S 7/2021 Tschopp
D933,623 S 10/2021 Liu
D938,410 S * 12/2021 Wang D14/447
(Continued)

(21) Appl. No.: **29/863,688**
(22) Filed: **Dec. 21, 2022**
(51) **LOC (14) Cl.** **14-03**
(52) **U.S. Cl.**
USPC **D14/447**
(58) **Field of Classification Search**
USPC D14/447, 432, 434, 439, 440, 451, 452,
D14/457, 239, 251, 253; D8/363, 373,
D8/380; D6/406.3, 406.4, 406.5, 406.6;
D12/415; D19/91; D3/218
CPC A47B 21/04; A47B 2097/006; A47B
2097/005; A47B 2023/049; A45C
2011/002; A45C 2011/003; F16M
2200/00; F16M 13/00; A45F 2200/0516;
A45F 2200/0525
See application file for complete search history.

FOREIGN PATENT DOCUMENTS

CN 304864642 10/2018
CN 304919103 11/2018
(Continued)

Primary Examiner — Angela J Lee
(74) *Attorney, Agent, or Firm* — Paratus Law Group,
PLLC

(57) **CLAIM**

The ornamental design for a stand for smart watch, as shown and described.

DESCRIPTION

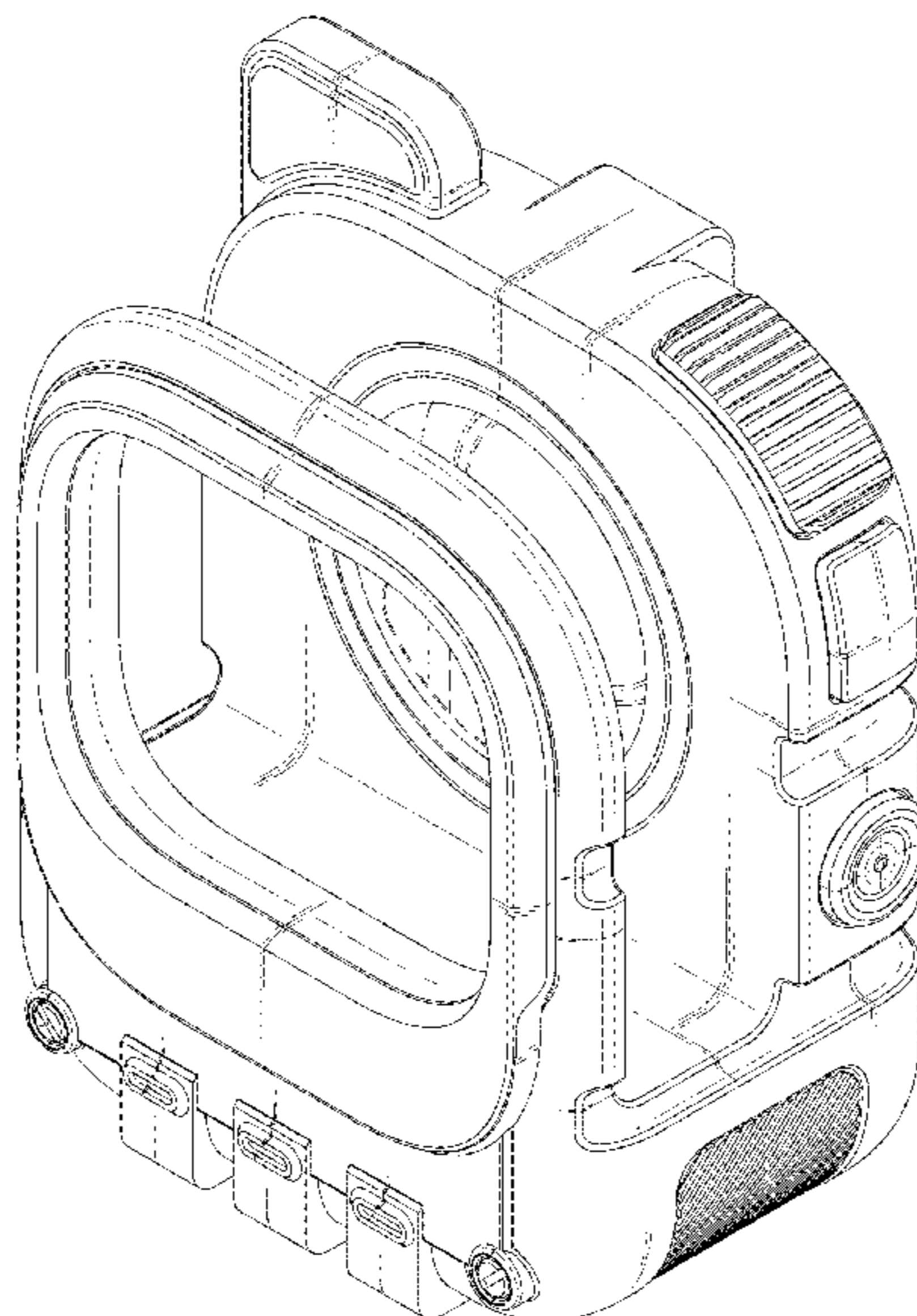
FIG. 1 is a front, top, and right-side perspective view of a stand for smart watch, showing my new design;
FIG. 2 is a front view thereof;
FIG. 3 is a back view thereof;
FIG. 4 is a left-side view thereof;
FIG. 5 is a right-side view thereof;
FIG. 6 is a top view thereof;
FIG. 7 is a bottom view thereof;
FIG. 8 is a front, top, and left-side perspective view thereof;
FIG. 9 is a back, bottom, and right-side perspective view thereof; and,
FIG. 10 is a front, top, and right-side perspective view thereof in use.

The broken lines shown in FIGS. 1-3 and 7-9 depict portions of the stand for smart watch and form no part of the claimed design. The broken lines representing a smart watch shown in FIG. 10 depict environment and form no part of the claimed design.

(56) **References Cited**
U.S. PATENT DOCUMENTS

D519,275 S * 4/2006 Shertzer D3/218
D639,301 S 6/2011 Anderson et al.
D693,815 S * 11/2013 Son D14/434
D751,558 S * 3/2016 Lee D10/103
D763,263 S 8/2016 Wierenga
D780,186 S * 2/2017 Lee D14/447
D788,094 S * 5/2017 Kim D14/251
D808,641 S * 1/2018 Clover D3/218
D811,414 S * 2/2018 Lee D14/447
D851,652 S 6/2019 Lee et al.
D866,564 S 11/2019 Lee et al.
D881,180 S * 4/2020 Wright D3/218

1 Claim, 10 Drawing Sheets



(56)

References Cited

U.S. PATENT DOCUMENTS

D957,408 S * 7/2022 Eun D14/447
D969,135 S 11/2022 Lee
D970,495 S * 11/2022 Wei D14/447

FOREIGN PATENT DOCUMENTS

CN 305439925 11/2019
CN 306595677 6/2021

* cited by examiner

FIG. 1

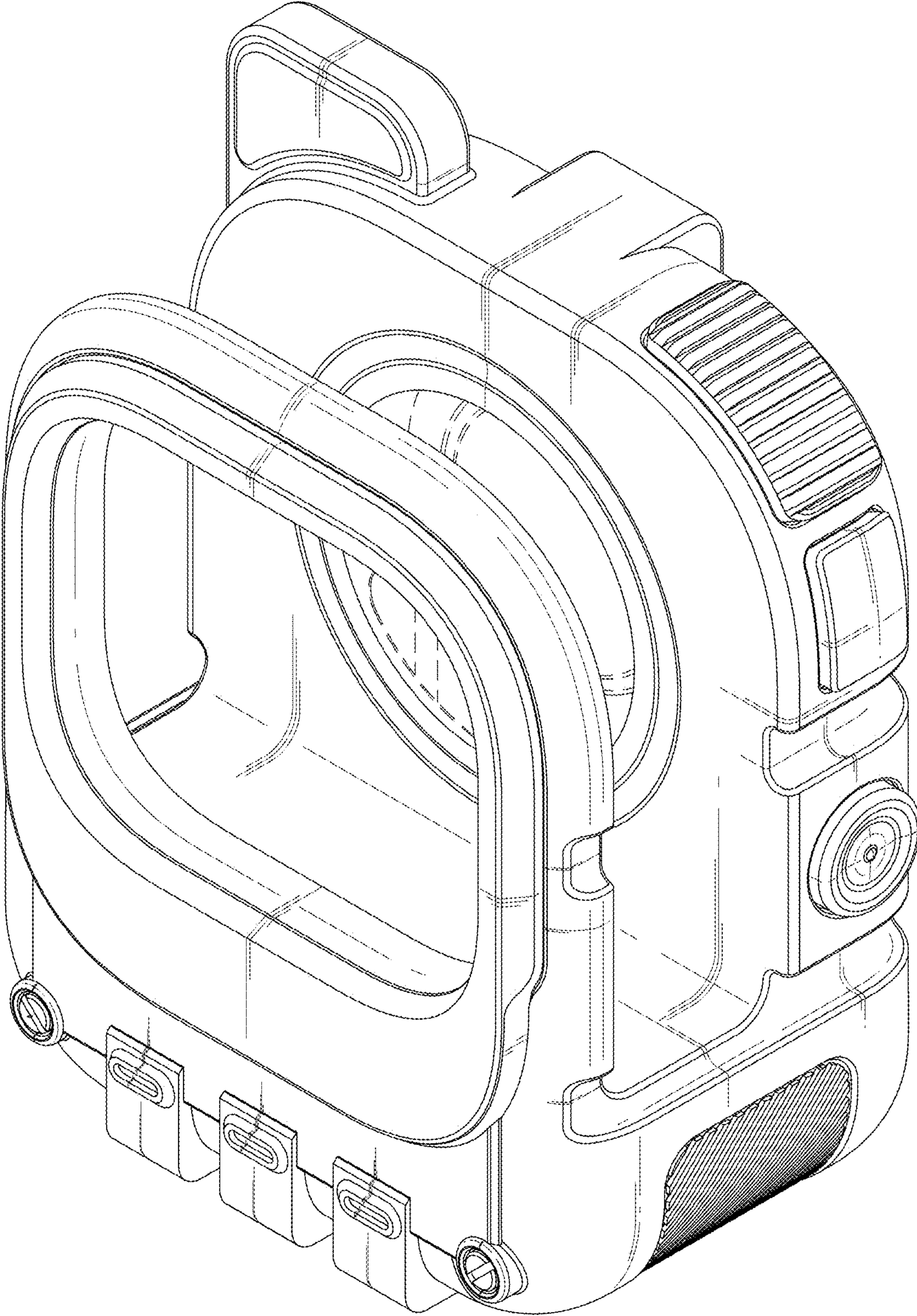


FIG. 2

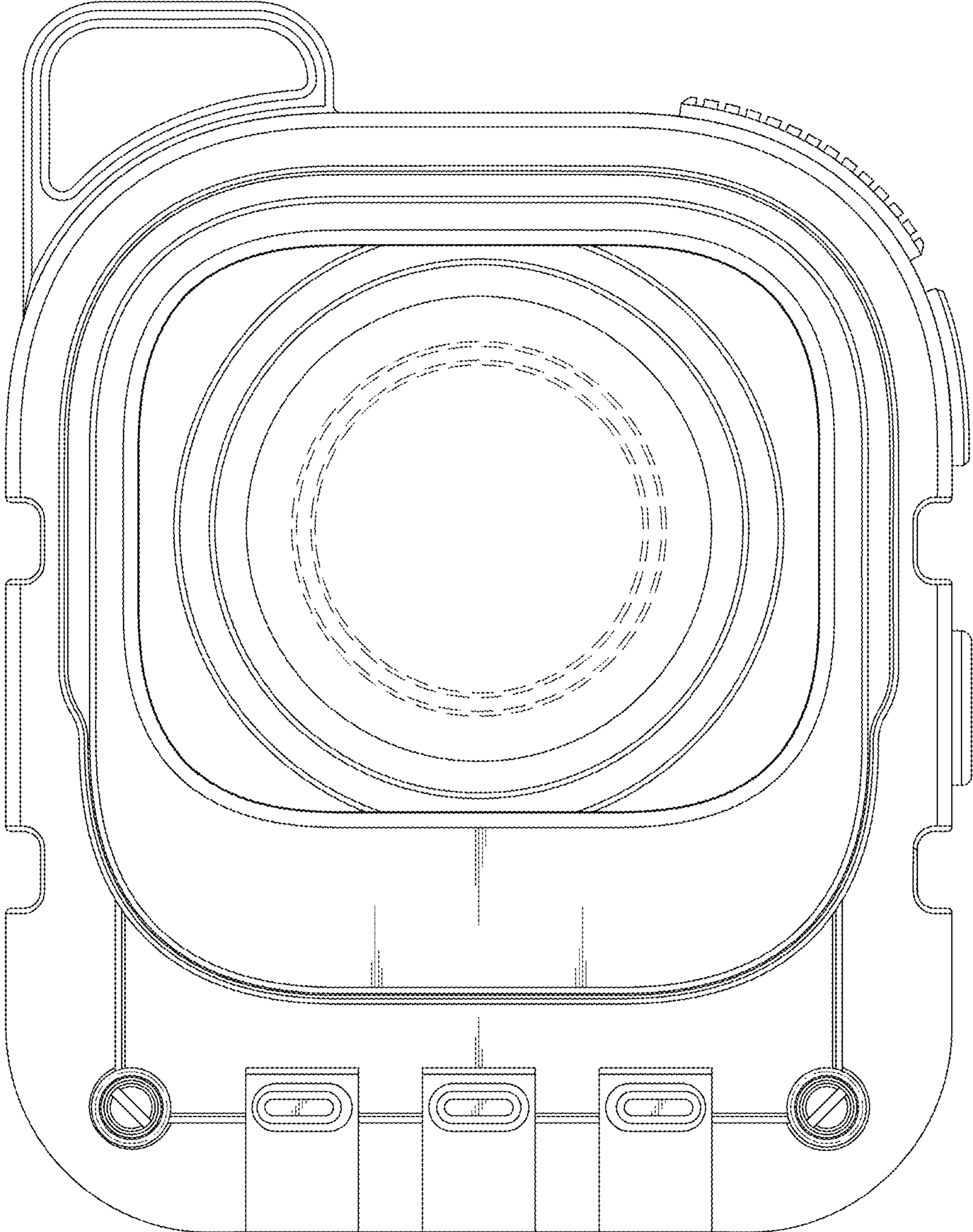


FIG. 3

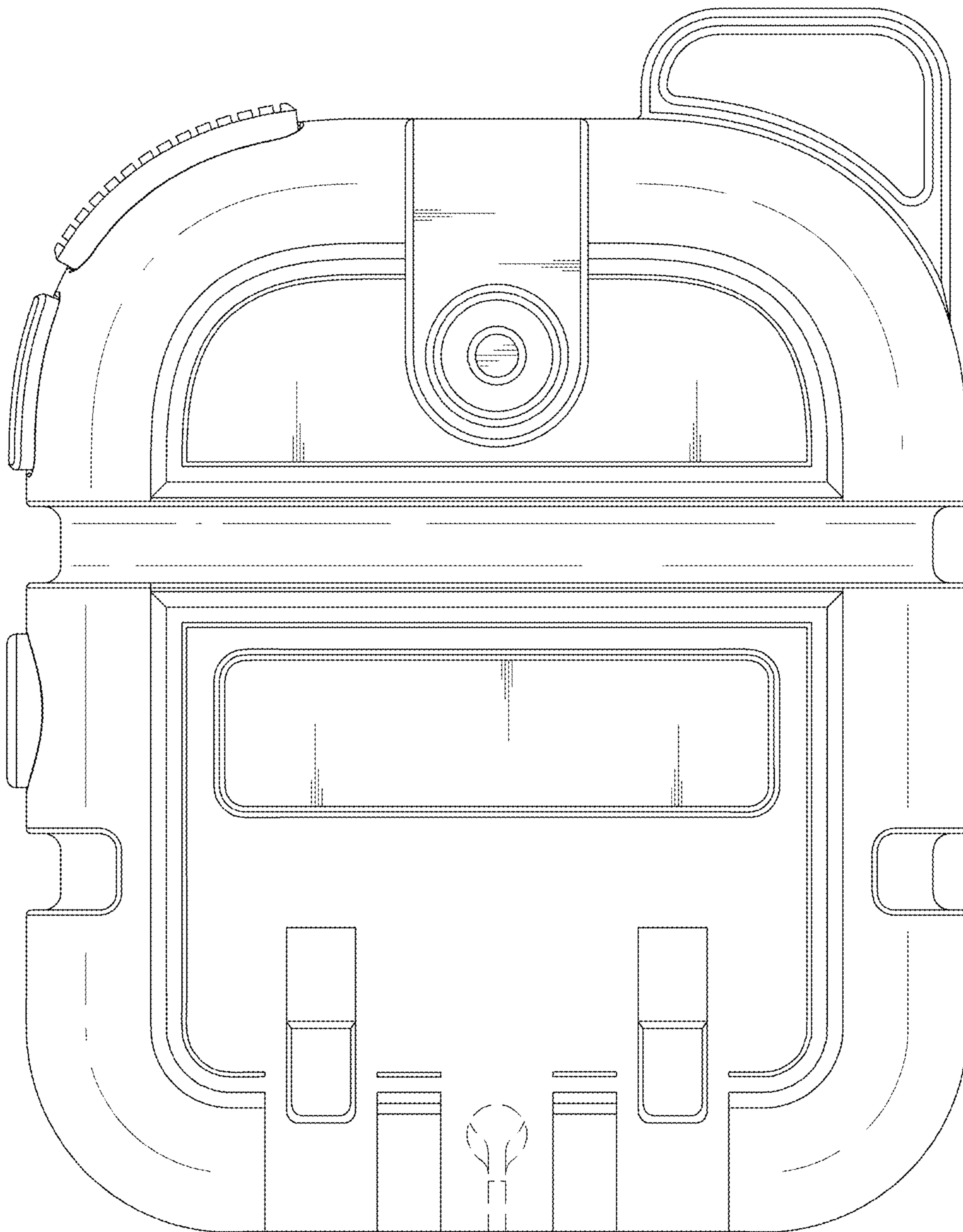


FIG. 4

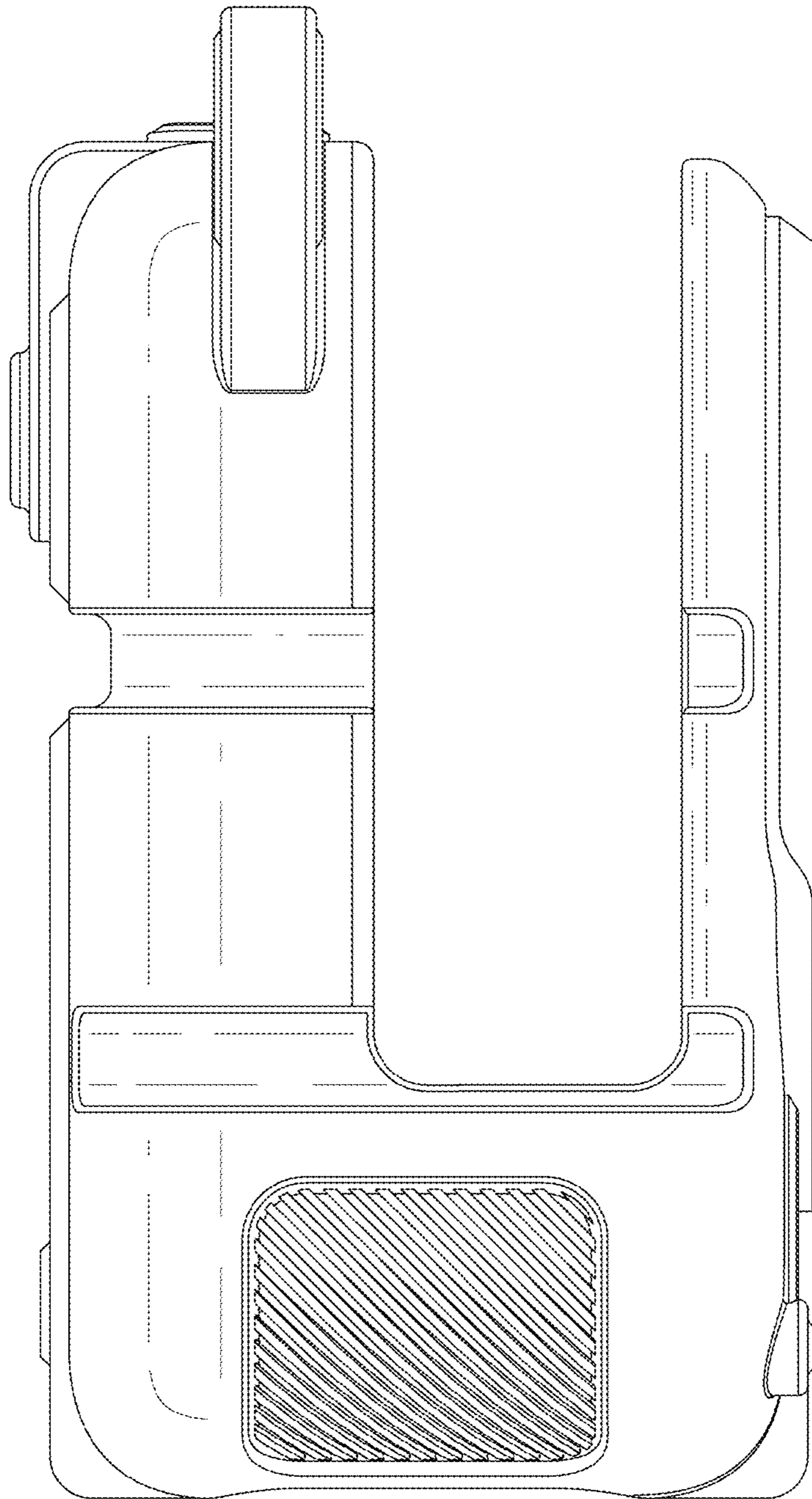


FIG. 5

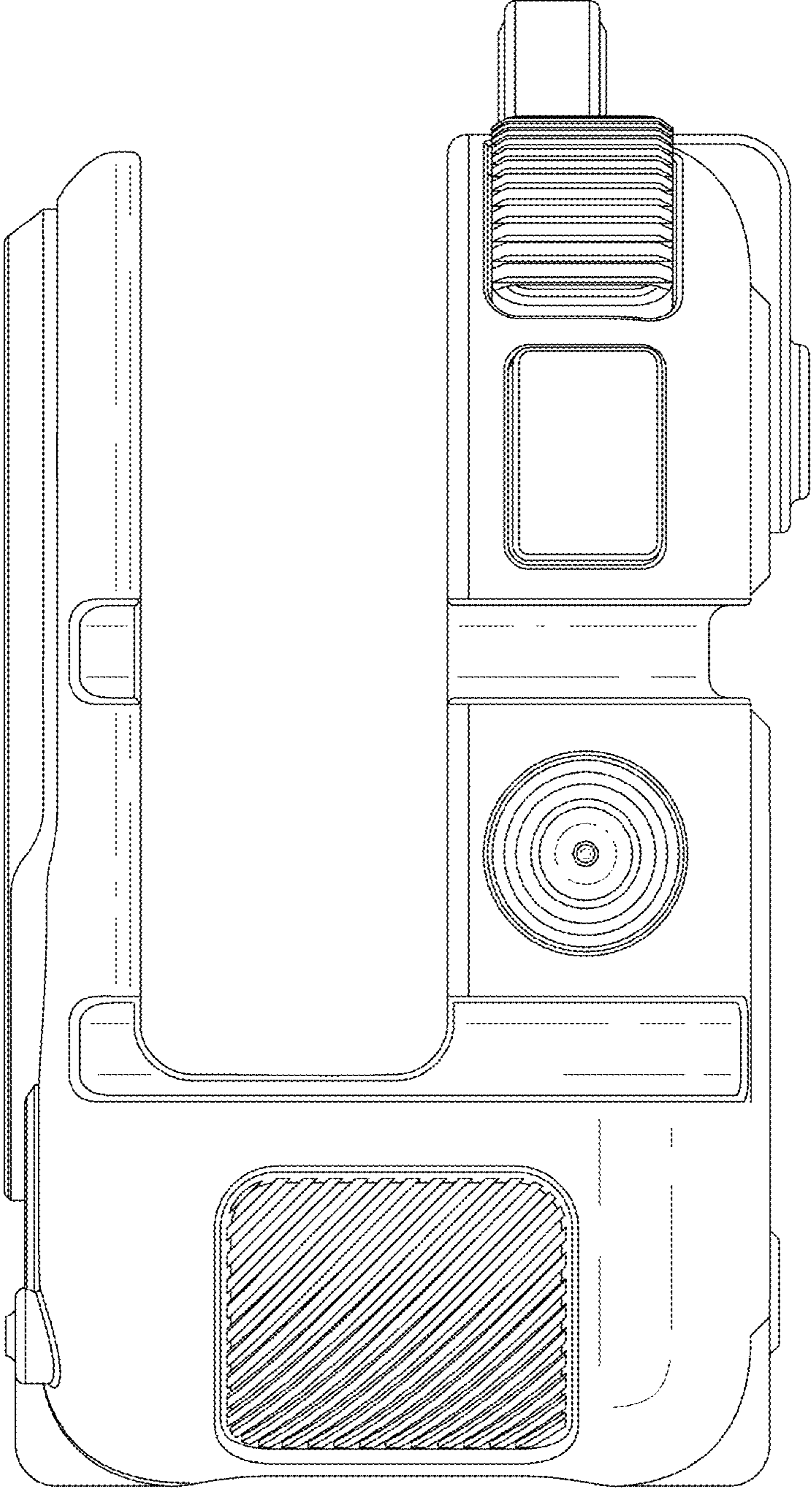


FIG. 6

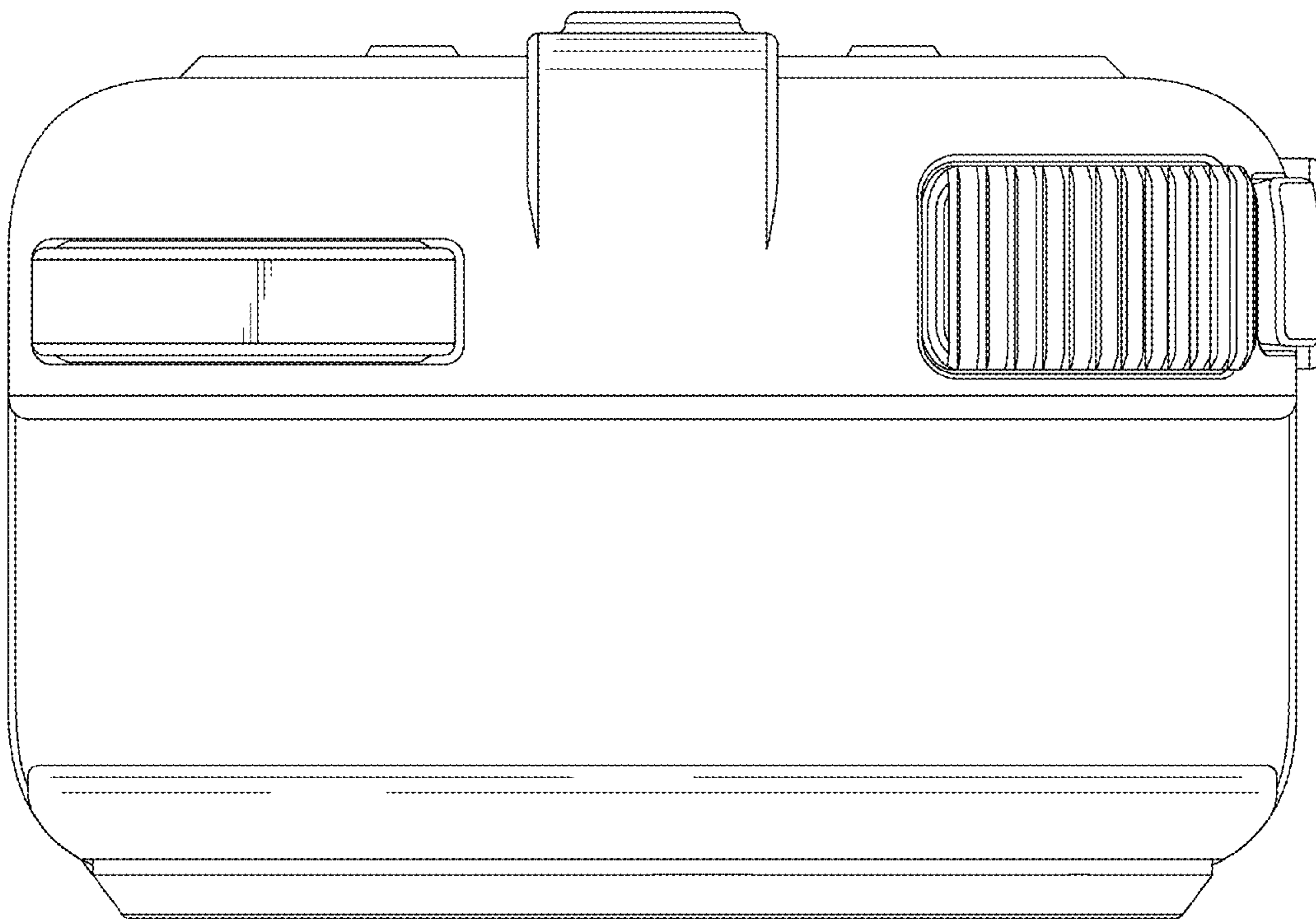


FIG. 7

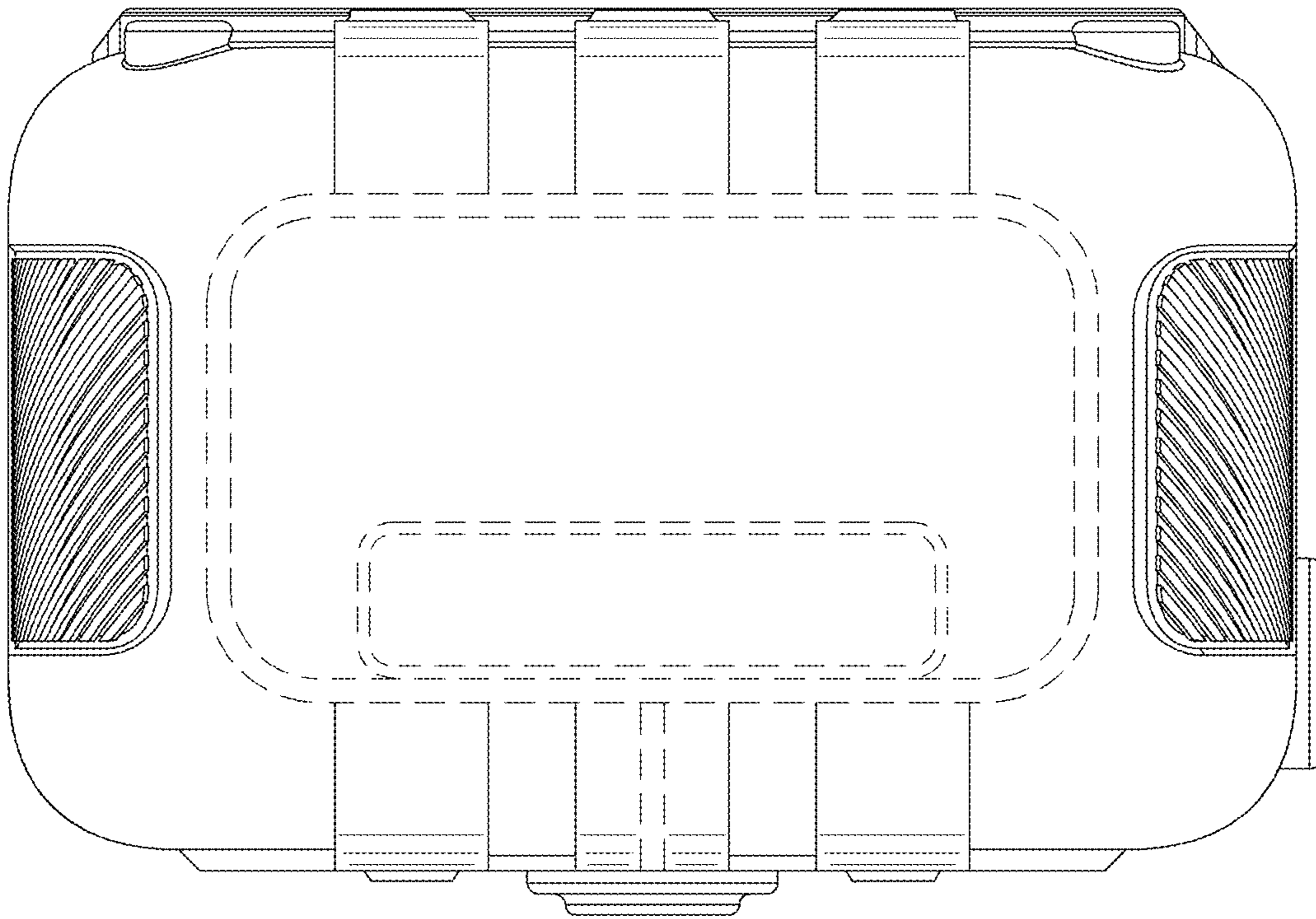


FIG. 8

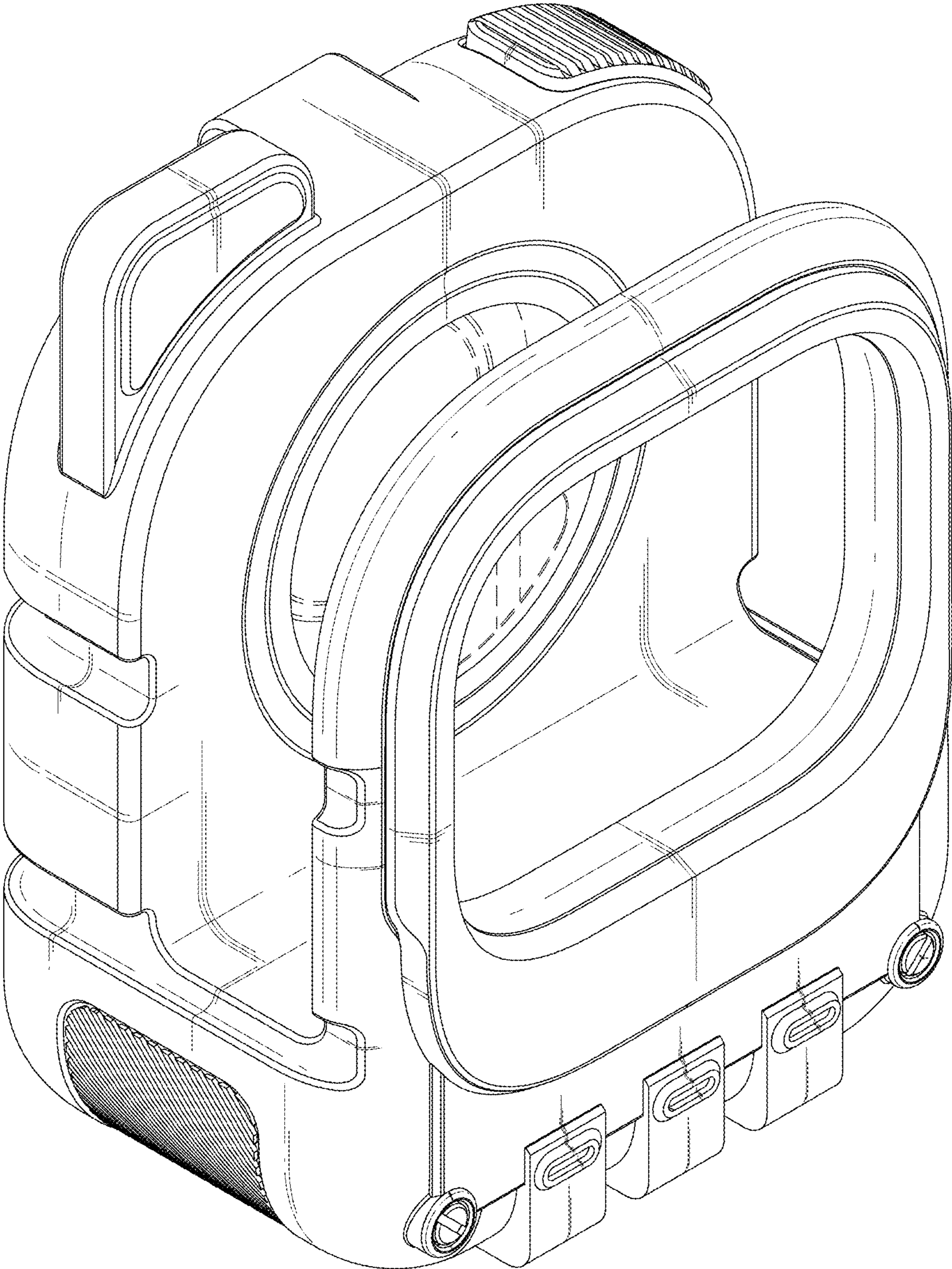


FIG. 9

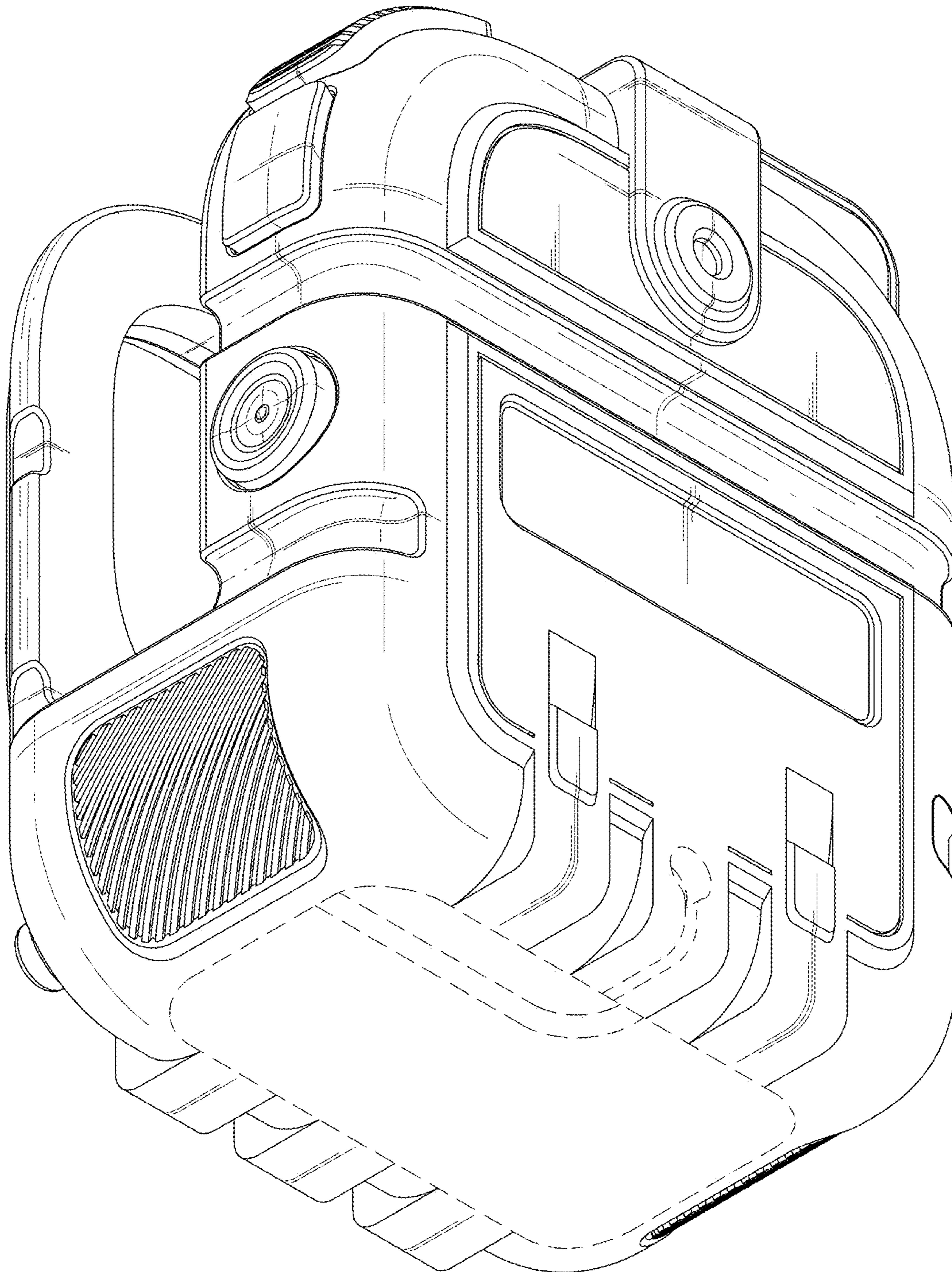


FIG. 10

