



US00D983208S

(12) **United States Design Patent**
Kirkpatrick

(10) **Patent No.:** **US D983,208 S**

(45) **Date of Patent:** **** Apr. 11, 2023**

(54) **COOLING STAND FOR AN ELECTRONIC DEVICE**

(71) Applicant: **Chad Kirkpatrick**, Portland, OR (US)

(72) Inventor: **Chad Kirkpatrick**, Portland, OR (US)

(**) Term: **15 Years**

(21) Appl. No.: **29/706,753**

(22) Filed: **Sep. 23, 2019**

(51) **LOC (14) Cl.** **14-99**

(52) **U.S. Cl.**
USPC **D14/447**

(58) **Field of Classification Search**
USPC D14/250-254, 224, 224.1, 238, 238.1,
D14/375, 434, 447, 451, 452, 457, 483;
D6/672, 682, 708; D23/371
CPC B60R 11/00; B60R 11/02; B60R 11/0241;
B60R 11/0252; H04M 1/04; A45F
2200/0516; A45F 2200/0525; G06F
1/203; Y10S 248/917

See application file for complete search history.

(56) **References Cited**

U.S. PATENT DOCUMENTS

D279,674 S *	7/1985	Harley	D14/251
D455,755 S *	4/2002	Levine	D6/406.4
6,707,668 B2 *	3/2004	Huang	G06F 1/203 248/676
6,711,014 B2	3/2004	Masato		
6,738,256 B2 *	5/2004	Hsieh	G06F 1/203 361/679.48
6,837,058 B1	1/2005	McEuen		
7,116,554 B2	10/2006	Lee		
D555,162 S *	11/2007	Park	D14/447
D557,267 S *	12/2007	Beilstein	D14/447
D559,850 S *	1/2008	Lye	D14/447
7,375,967 B2	5/2008	Huang		
D574,005 S *	7/2008	Chung	D14/447
D577,361 S *	9/2008	Beilstein	D14/447

D578,130 S *	10/2008	Sween	D14/447
7,480,140 B2	1/2009	Hara		
7,663,876 B2 *	2/2010	Lin	G06F 1/203 361/689
D632,380 S *	2/2011	Kim	D23/371
D632,775 S *	2/2011	Kim	D23/371
7,885,068 B2 *	2/2011	Seo	G06F 1/203 361/695

(Continued)

OTHER PUBLICATIONS

U.S. Appl. No. 29/656,807, filed Jul. 16, 2018, Kirkpatrick.
(Continued)

Primary Examiner — Rebekah A Caruso
(74) *Attorney, Agent, or Firm* — Klarquist Sparkman, LLP

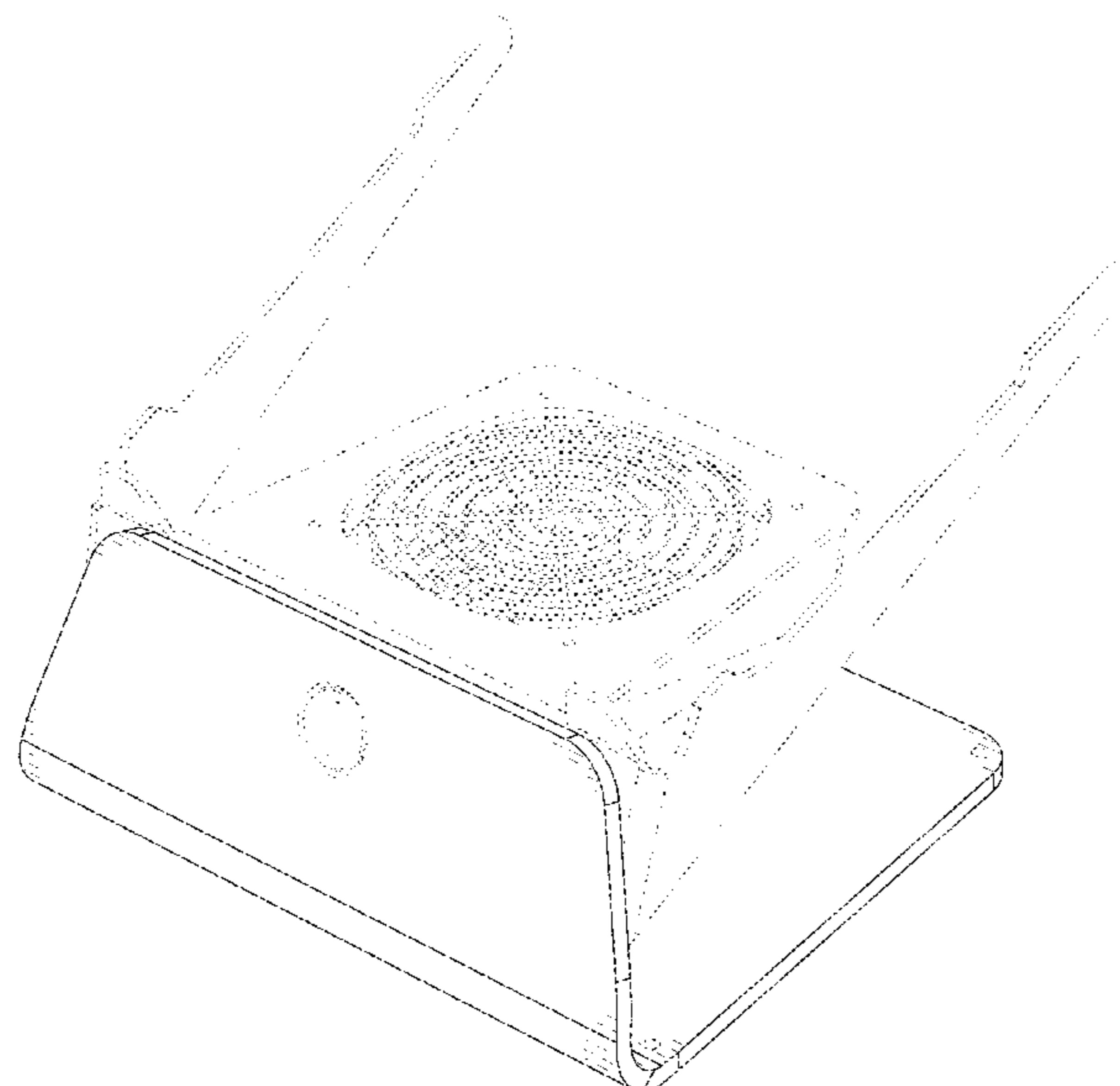
(57) **CLAIM**

The ornamental design for a cooling stand for an electronic device, as shown and described.

DESCRIPTION

FIG. 1 is a front, side and top perspective view of a cooling stand for an electronic device showing my new design; FIG. 2 is a back, side and top perspective view thereof; FIG. 3 is a front elevational view thereof; FIG. 4 is a back elevational view thereof; FIG. 5 is a top plan view thereof; FIG. 6 is a left side elevational view thereof; The right side elevational view is a mirror image of the left side; FIG. 7 is a front, side and top perspective view of a cooling stand for an electronic device showing my new design; and, FIG. 8 is a back, side and top perspective view thereof. The broken lines shown in the drawings represent portions of the cooling stand for an electronic device that form no part of the claimed design or illustrate environment that forms no part of the claimed design.

1 Claim, 8 Drawing Sheets



(56)

References Cited

U.S. PATENT DOCUMENTS

D637,194 S 5/2011 Kuroda
 D646,904 S * 10/2011 Feldstein D6/310
 D648,339 S 11/2011 O'Neil
 D671,543 S 11/2012 Sogabe
 D678,886 S * 3/2013 Heckler D14/447
 D683,141 S * 5/2013 Symons D6/310
 D690,708 S * 10/2013 Smith D14/447
 D692,009 S 10/2013 Ashida
 D699,245 S * 2/2014 Lee D14/447
 D719,142 S * 12/2014 Lee D14/239
 D739,387 S * 9/2015 Fujioka D14/224
 D767,575 S * 9/2016 Green D14/447
 D788,778 S * 6/2017 Magi D14/434
 D788,780 S * 6/2017 Chen D14/447
 D799,464 S * 10/2017 Zaihui D14/252
 D806,450 S * 1/2018 Seong D6/672
 D821,122 S * 6/2018 Wang D6/682
 D821,787 S * 7/2018 Wang D6/682
 D829,215 S * 9/2018 Magargee D14/447
 D852,803 S * 7/2019 Lin D14/447
 D856,343 S * 8/2019 Kijiya D14/447
 D857,025 S * 8/2019 Guerrero, Jr. D14/447
 D857,698 S * 8/2019 Hu D14/447
 D857,700 S * 8/2019 Zeng D14/447
 D892,123 S * 8/2020 Campbell D14/434
 D893,499 S * 8/2020 Kirkpatrick D14/447
 D907,640 S * 1/2021 Huang D14/447
 D928,790 S * 8/2021 Hong D14/447
 D944,807 S * 3/2022 Luo D14/447
 D944,809 S * 3/2022 Wang D14/447

D956,692 S * 7/2022 Turksu D14/447
 2006/0262497 A1 11/2006 Jahlokov
 2007/0291451 A1 12/2007 Takenoshita
 2009/0179131 A1* 7/2009 Lord G06F 1/1632
 248/346.5

OTHER PUBLICATIONS

Screenshot of <https://www.raindesigninc.com/> page titled "iLevel" which was accessed on Jul. 13, 2018.
 Screenshot of <https://www.raindesigninc.com/> page titled "mBar" which was accessed on Jul. 13, 2018.
 Screenshot of <https://www.raindesigninc.com/> page titled "mBar pro" which was accessed on Jul. 13, 2018.
 Screenshot of <https://www.raindesigninc.com/> page titled "mStand" which was accessed on Jul. 13, 2018.
 Screenshot of <https://www.raindesigninc.com/> page titled "mStand 360" which was accessed on Jul. 13, 2018.
 Screenshot of <https://www.twelvesouth.com/> page titled "Curve for MacBook" which was accessed on Jul. 13, 2018.
 Screenshot of <https://www.twelvesouth.com/> page titled "HiRise for MacBook" which was accessed on Jul. 13, 2018.
 Screenshot of <https://www.twelvesouth.com/> page titled "ParcSlope for MacBook & iPad Pro" which was accessed on Jul. 13, 2018.
 Screenshot of <https://griffintechology.com/> page titled "Elevator Overview" which was accessed on Jul. 13, 2018.
 Screenshot of <http://www.thermaltakeusa.com/> page titled "Cooler" which was accessed on Jul. 13, 2018.
 Screenshot of <https://www.therooststand.com/> page titled "Roost Laptop Stand" which was accessed on Jul. 13, 2018.

* cited by examiner

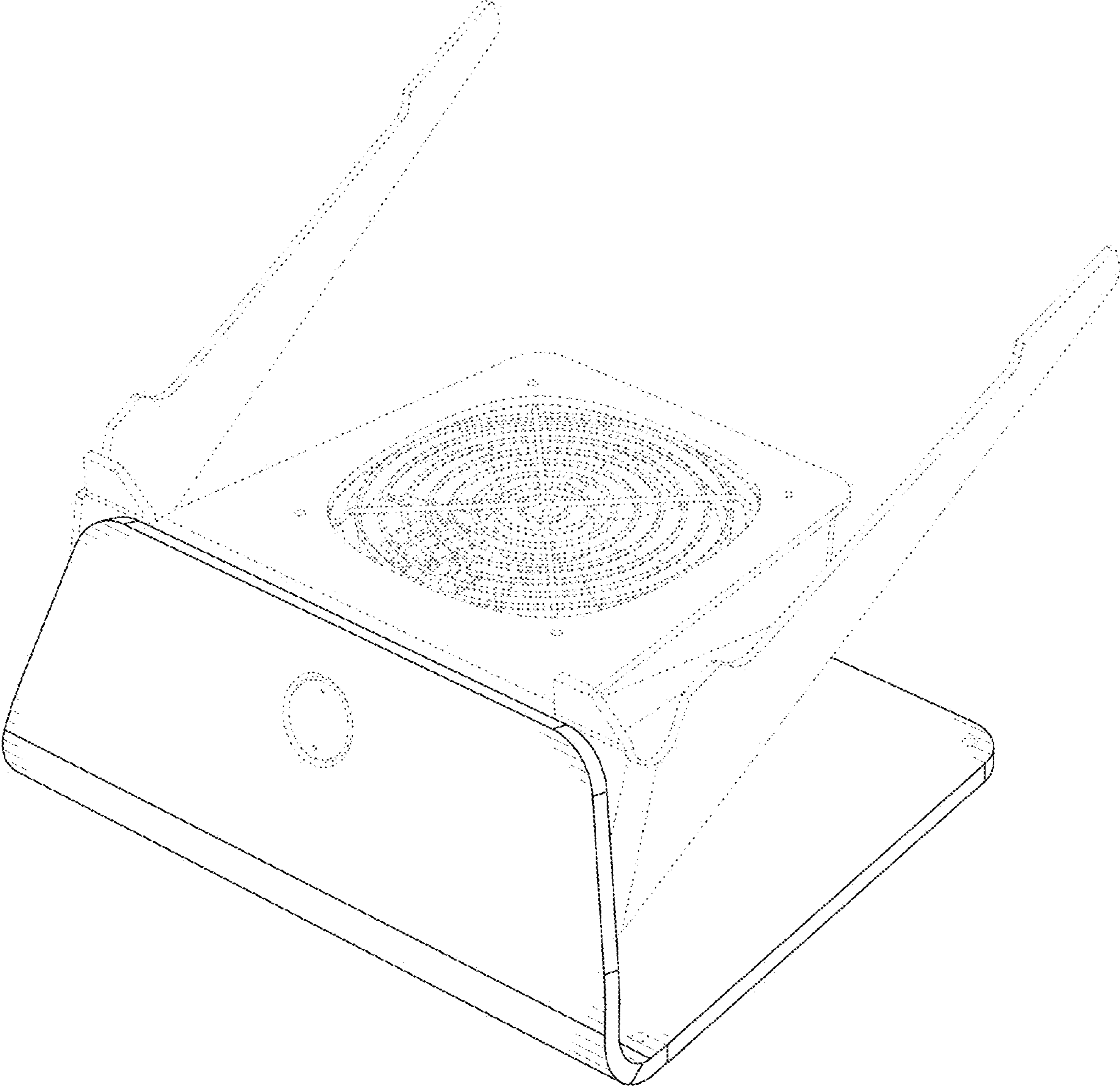


FIG. 1

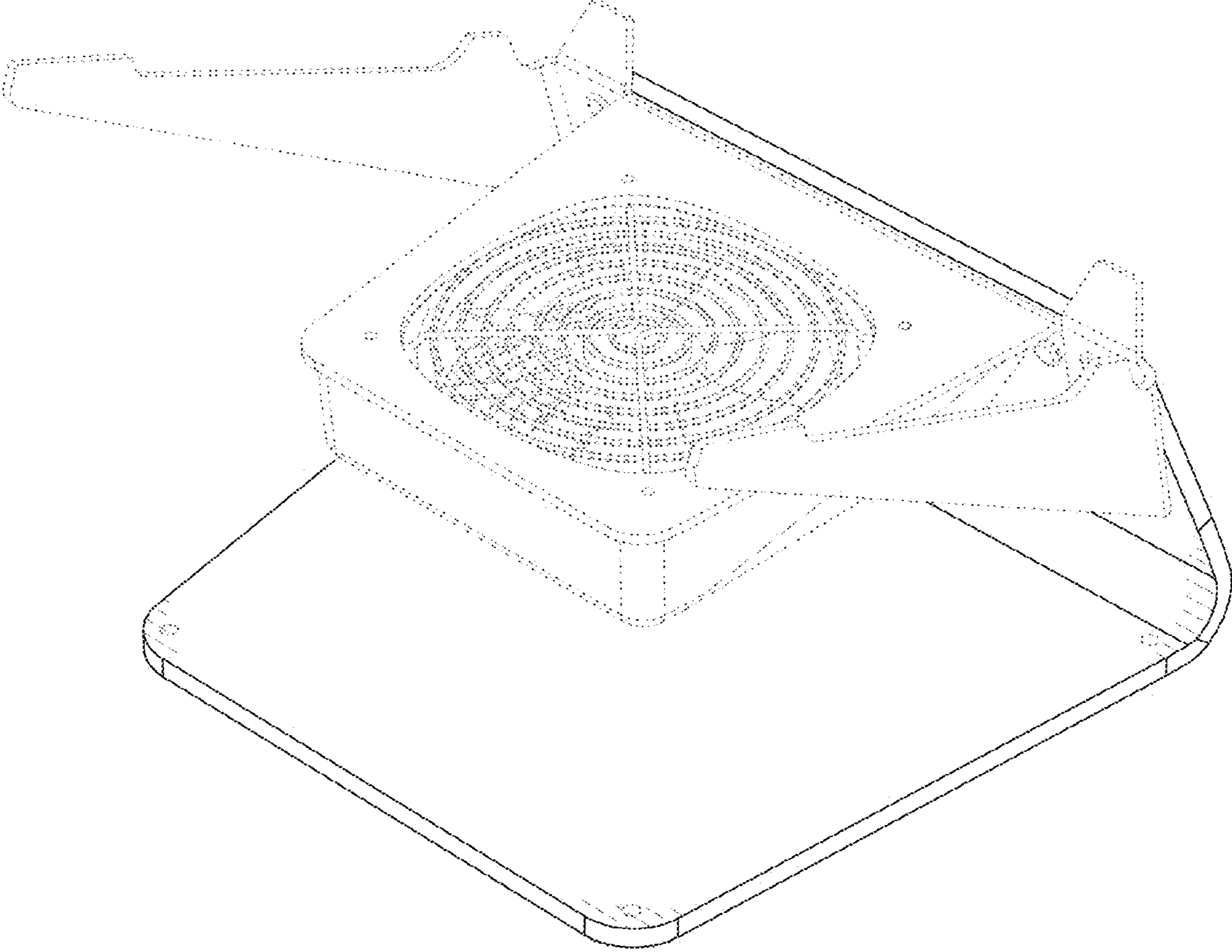


FIG. 2

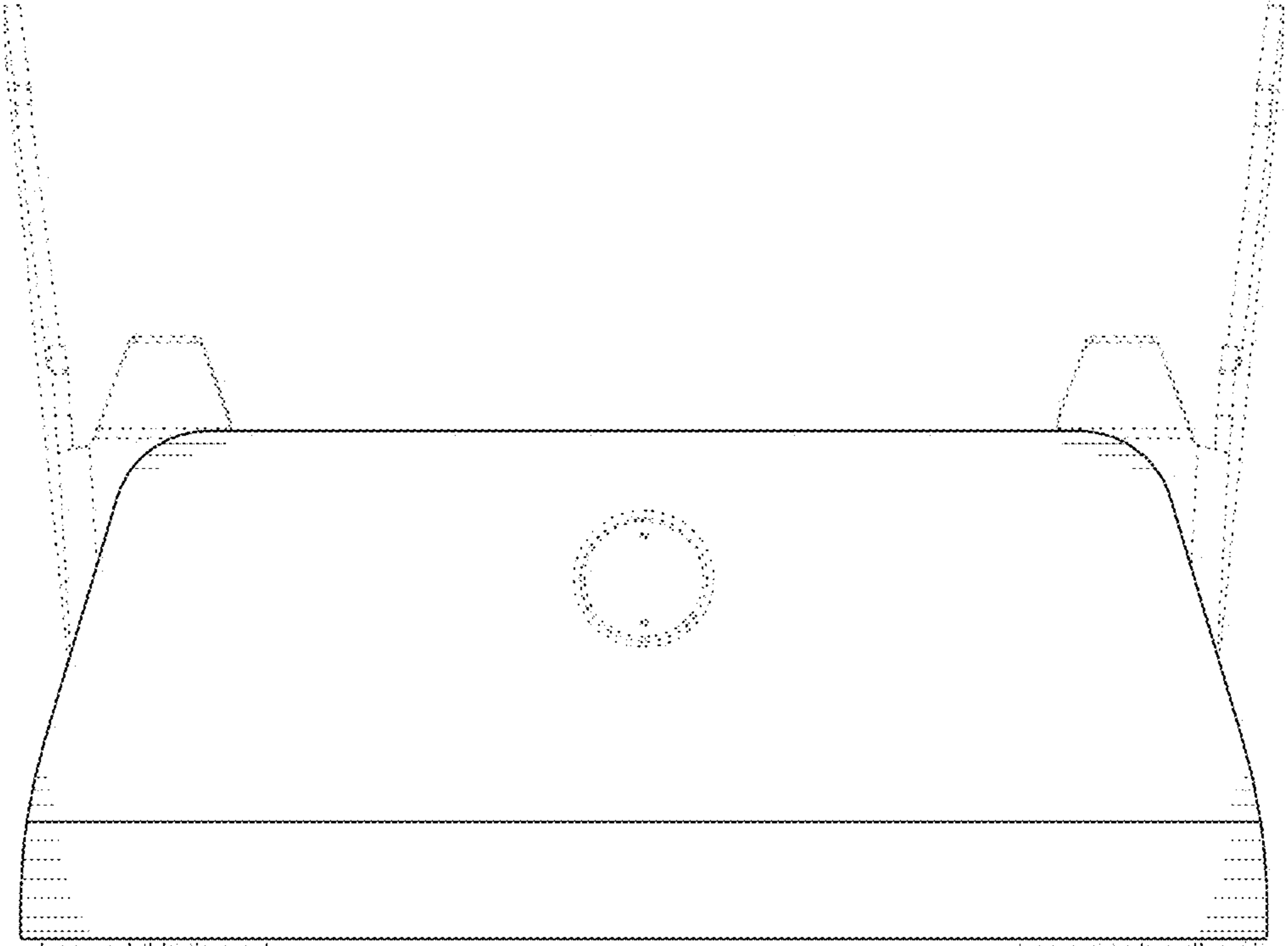


FIG. 3

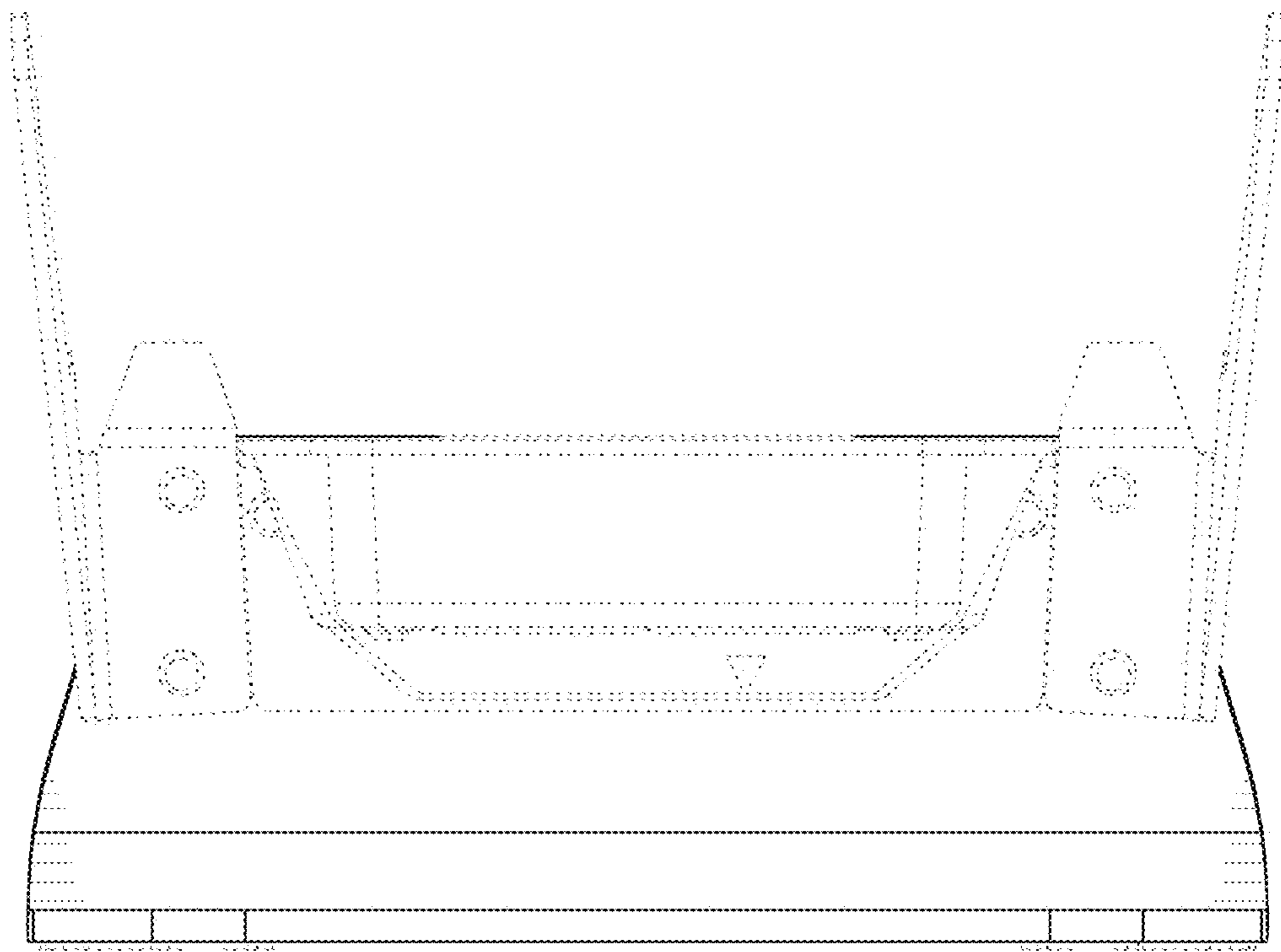


FIG. 4

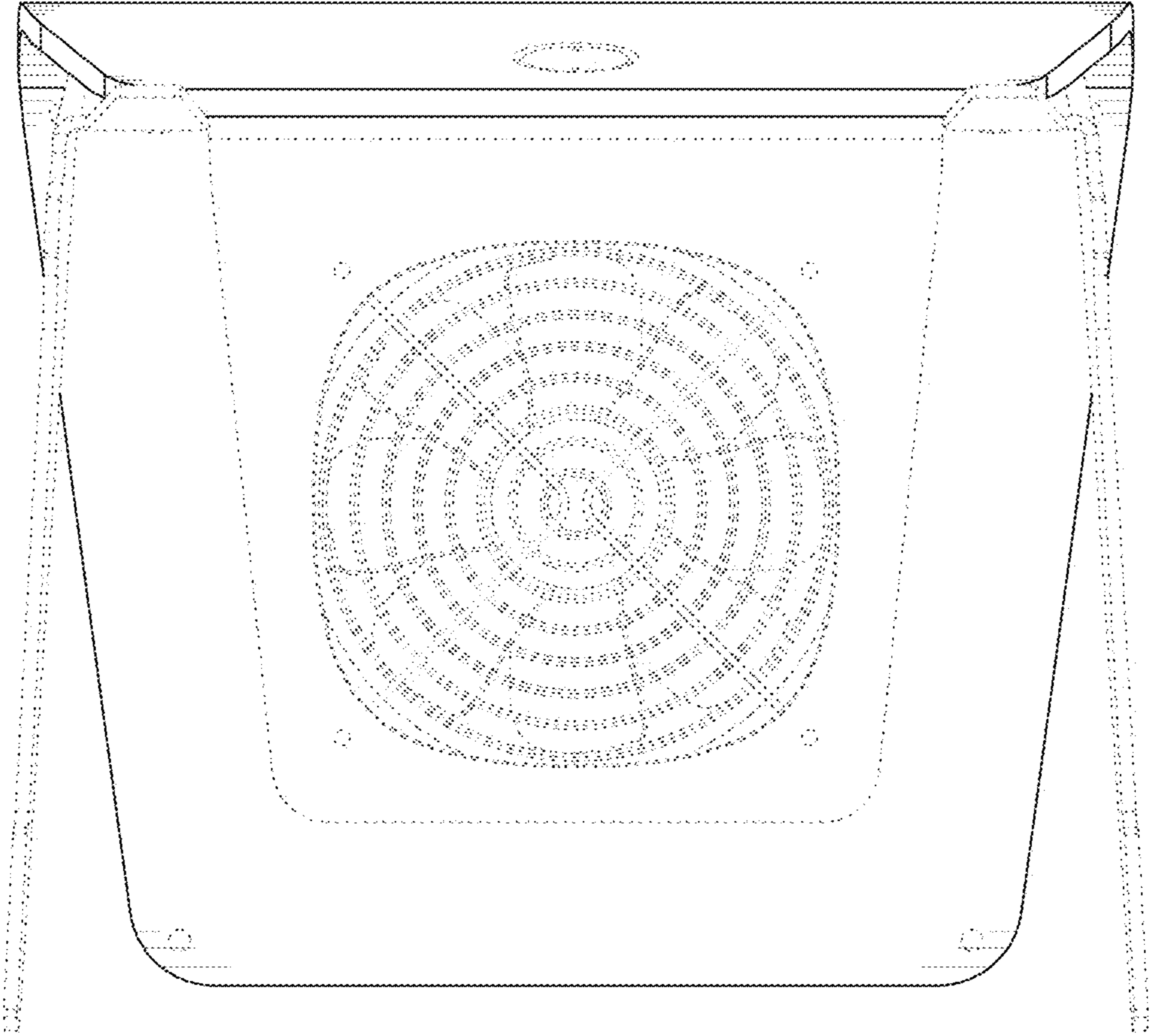


FIG. 5

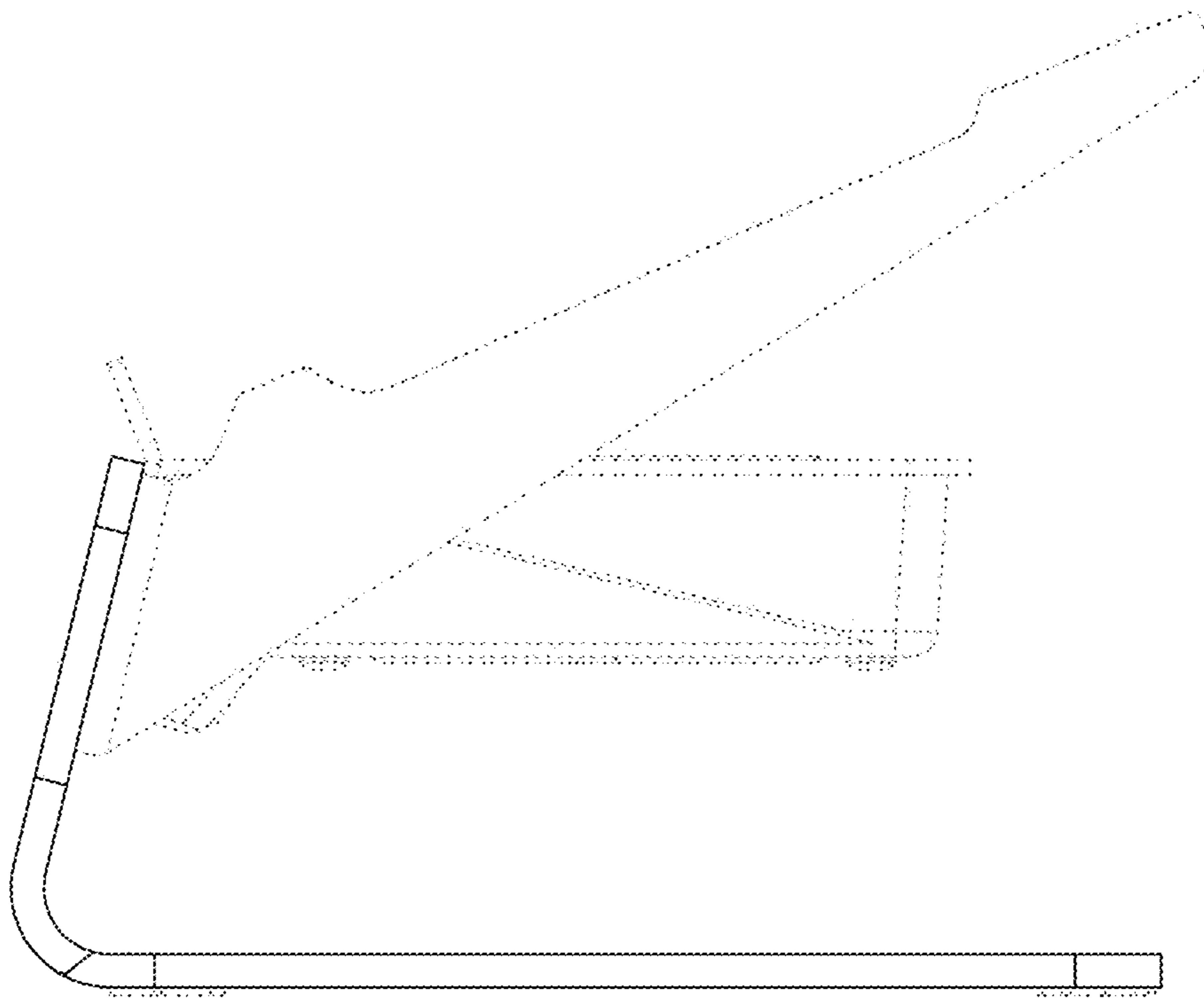


FIG. 6

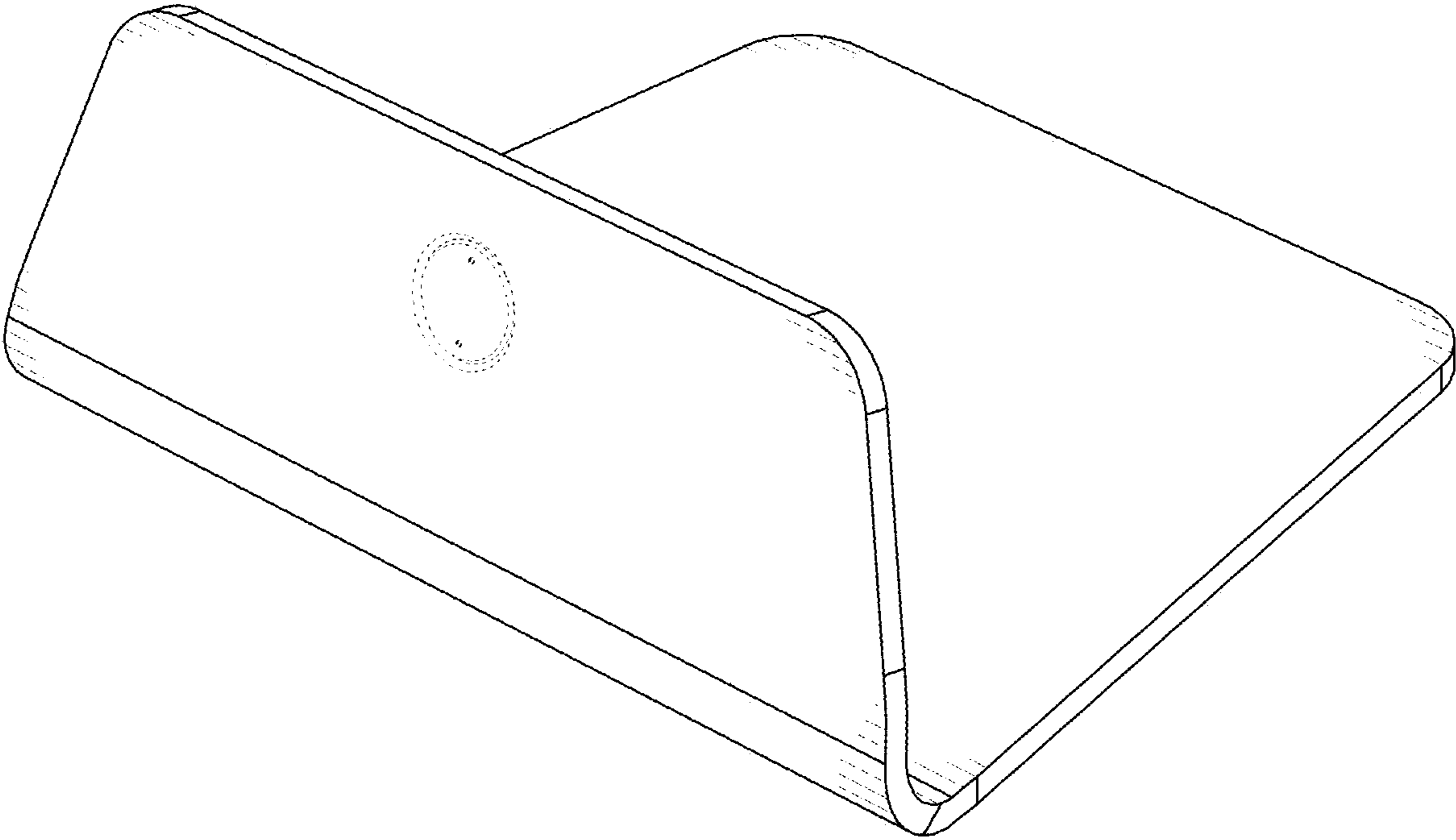


FIG. 7

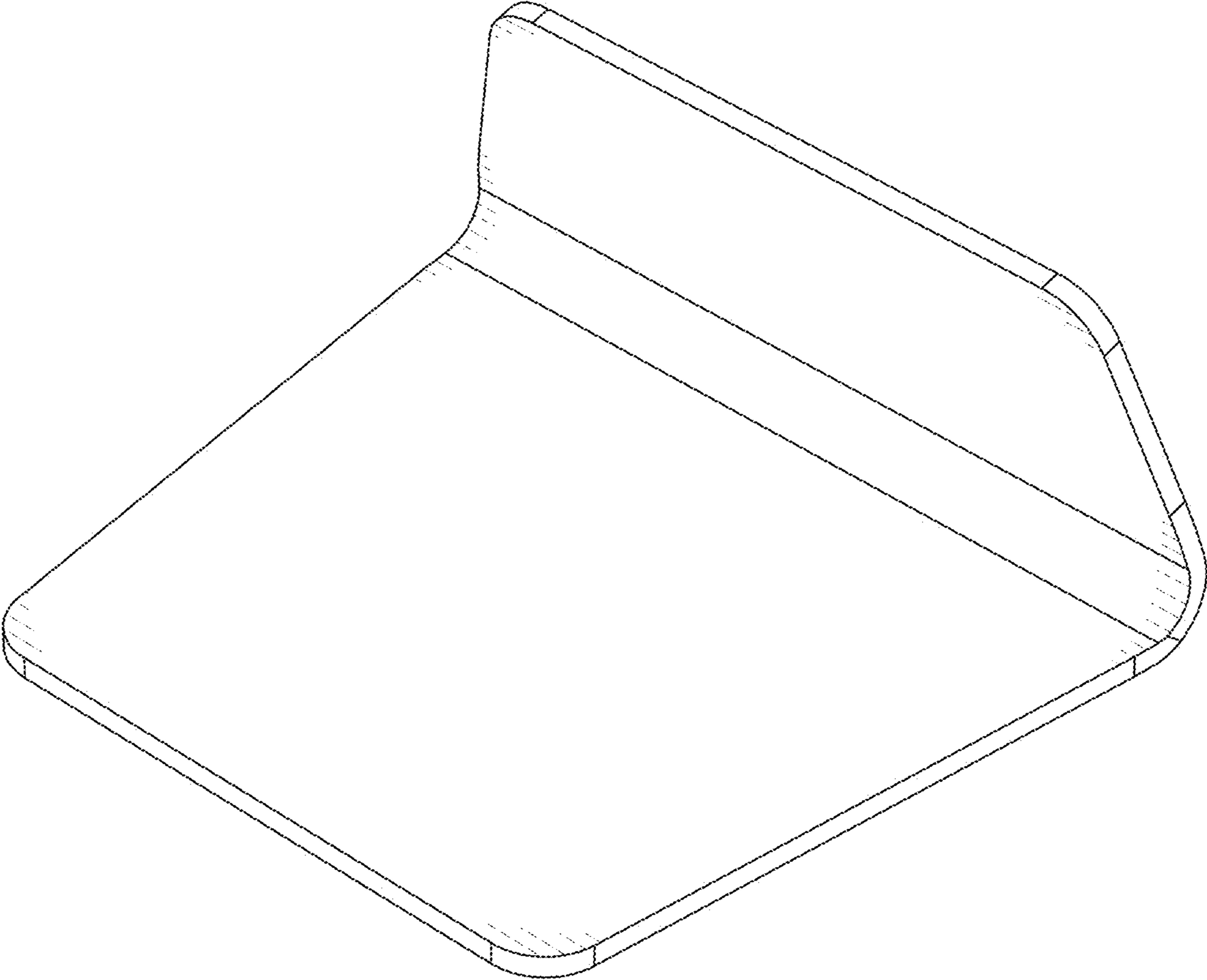


FIG. 8