



US00D983204S

(12) **United States Design Patent**
Broderick et al.

(10) **Patent No.: US D983,204 S**

(45) **Date of Patent: ** Apr. 11, 2023**

(54) **OPTICAL SCANNER**

(71) Applicant: **Infinite Peripherals, Inc.**, Irvine, CA (US)

(72) Inventors: **John Broderick**, Corona, CA (US);
John Vargas, Downey, CA (US);
Jeffrey Scott, Irvine, CA (US); **Patrick Dutt**, Eastvale, CA (US)

(73) Assignee: **Infinite Peripherals, Inc.**, Irvine, CA (US)

(**) Term: **15 Years**

(21) Appl. No.: **29/785,586**

(22) Filed: **May 26, 2021**

(51) **LOC (14) Cl. 14-02**

(52) **U.S. Cl.**
USPC **D14/427**

(58) **Field of Classification Search**
USPC D10/46, 78, 81, 57, 98, 70; D14/429,
D14/428, 427, 426, 347, 341, 344, 346,
D14/453, 462, 420, 250, 432, 412, 217,
D14/474, 138 G, 384, 385, 383; D18/14
CPC . G06F 1/1613; G06F 1/1632; G06K 7/10881;
G06K 7/0004; G06K 7/089; G06K
7/10386; G06K 7/10861; G06K 7/1096;
G06K 7/1098; G06K 7/1404; G06K
19/06046; G06Q 10/087; G06Q 20/208
See application file for complete search history.

(56) **References Cited**

U.S. PATENT DOCUMENTS

D224,541 S * 8/1972 Burrige D14/427
D328,037 S * 7/1992 Mercat D10/98
D332,576 S * 1/1993 Huen D10/98
D391,250 S * 2/1998 Swift D14/427
D560,520 S * 1/2008 Oberrieder D10/65

D573,490 S * 7/2008 Au Yeung D10/70
D657,702 S * 4/2012 Au Yeung D10/70
D740,827 S * 10/2015 Sun D14/427
D743,820 S * 11/2015 Song D10/70
D766,114 S * 9/2016 Rossi D10/70
D850,446 S * 6/2019 Wang D18/4.6
D859,412 S * 9/2019 AlNasser D14/427
D909,469 S * 2/2021 Watanabe D18/4.6
D918,914 S * 5/2021 Lim D14/427

FOREIGN PATENT DOCUMENTS

KR 300924272.0000 * 9/2017

OTHER PUBLICATIONS

1153 Wearable Bluetooth UHF RFID Reader, posted 2016 [online], [retrieved Aug. 4, 2022]. Retrieved from internet, https://rfid4ustore.com/content/data_sheet/1153-Bluetooth-UHF-Reader.pdf (Year: 2016).*

(Continued)

Primary Examiner — Marie D. Fast Horse

Assistant Examiner — Josiah D. Parsons

(74) *Attorney, Agent, or Firm* — Sterne, Kessler, Goldstein & Fox P.L.L.C.

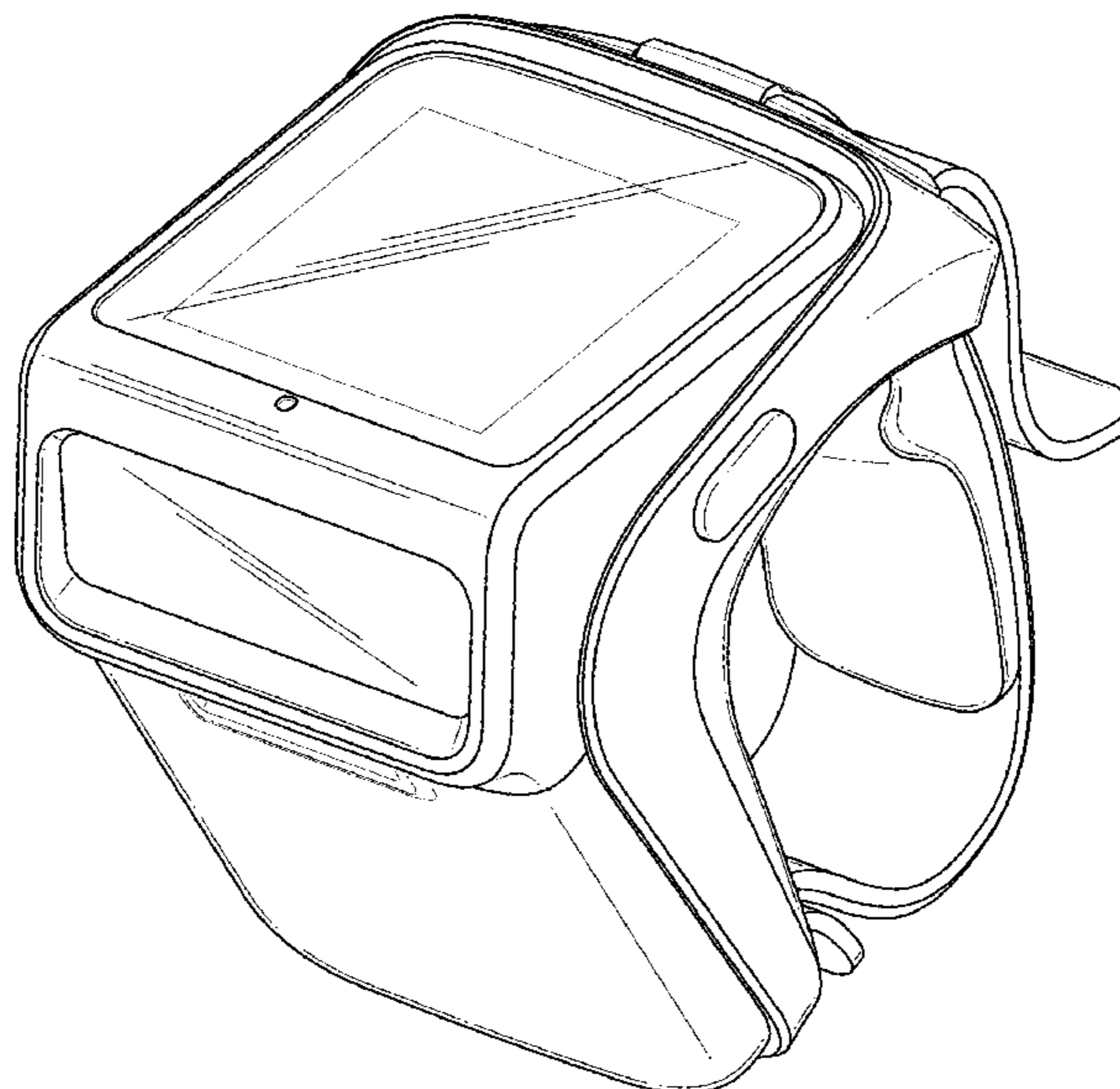
(57) **CLAIM**

The ornamental design for an optical scanner, as shown and described.

DESCRIPTION

FIG. 1 is a top perspective view of an optical scanner showing the claimed design;
FIG. 2 is a bottom perspective view thereof;
FIG. 3 is a front view thereof;
FIG. 4 is a rear view thereof;
FIG. 5 is a left side view thereof;
FIG. 6 is a right side view thereof;
FIG. 7 is a top view thereof; and,
FIG. 8 is a bottom view thereof.

1 Claim, 8 Drawing Sheets



(56)

References Cited

OTHER PUBLICATIONS

Eyoyo 1D Wireless Ring Barcode Scanner, posted Oct. 16, 2018 [online], [retrieved Aug. 4, 2022]. Retrieved from internet, <https://www.amazon.com/Eyoyo-Wireless-Compatible-Bluetooth-Connection/dp/B07JGQ3Q52> (Year: 2018).*

* cited by examiner

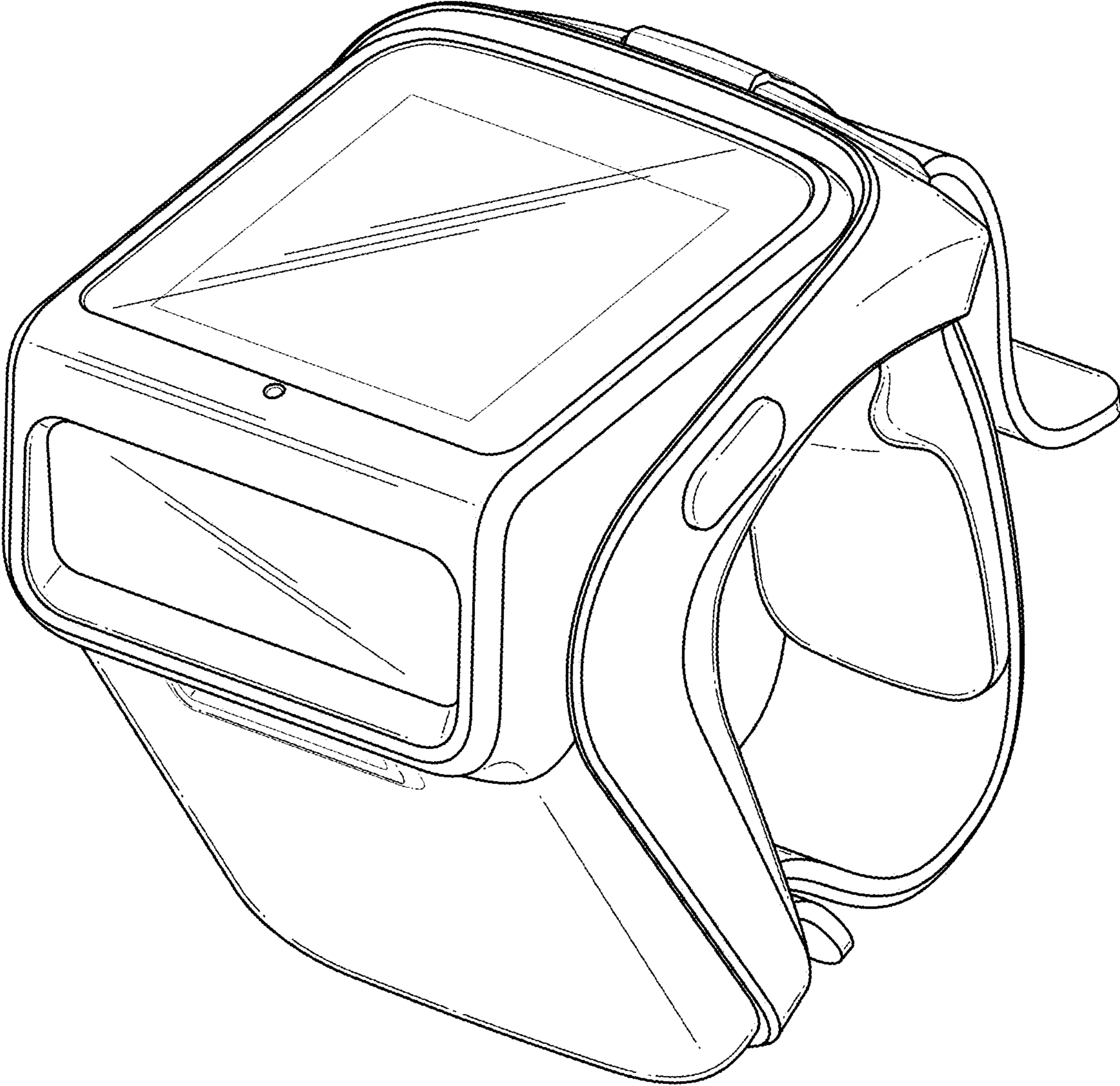


FIG. 1

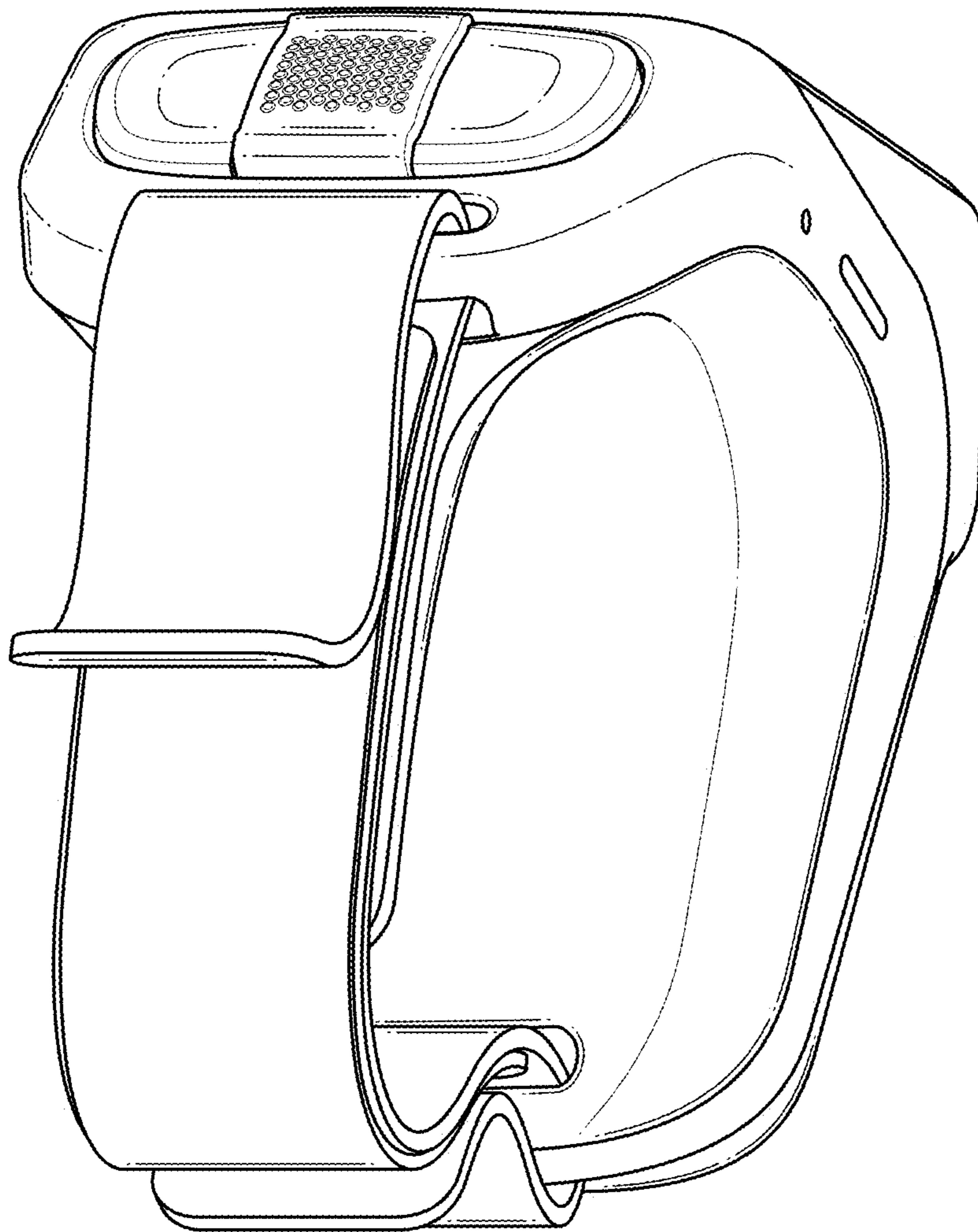


FIG. 2

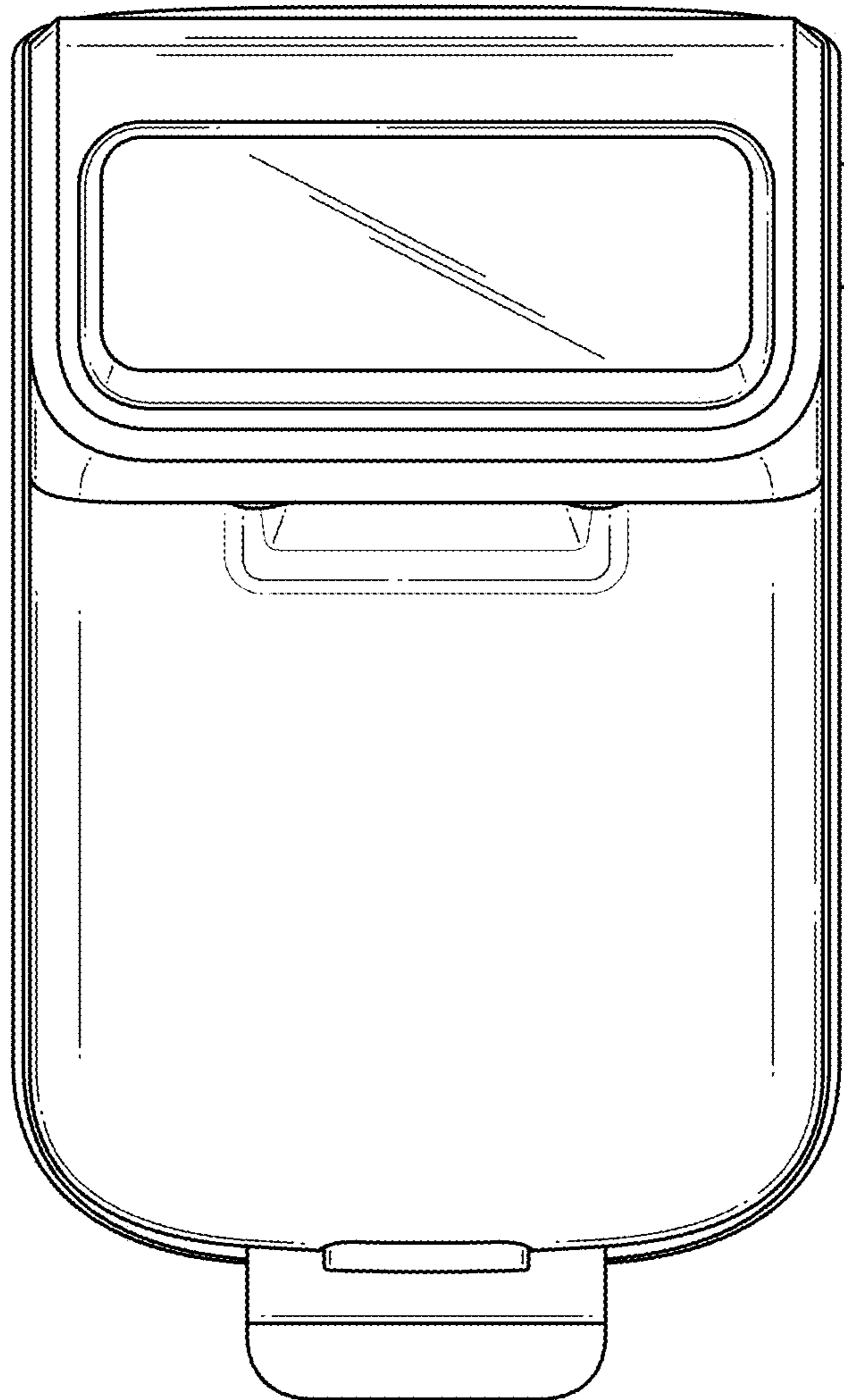


FIG. 3

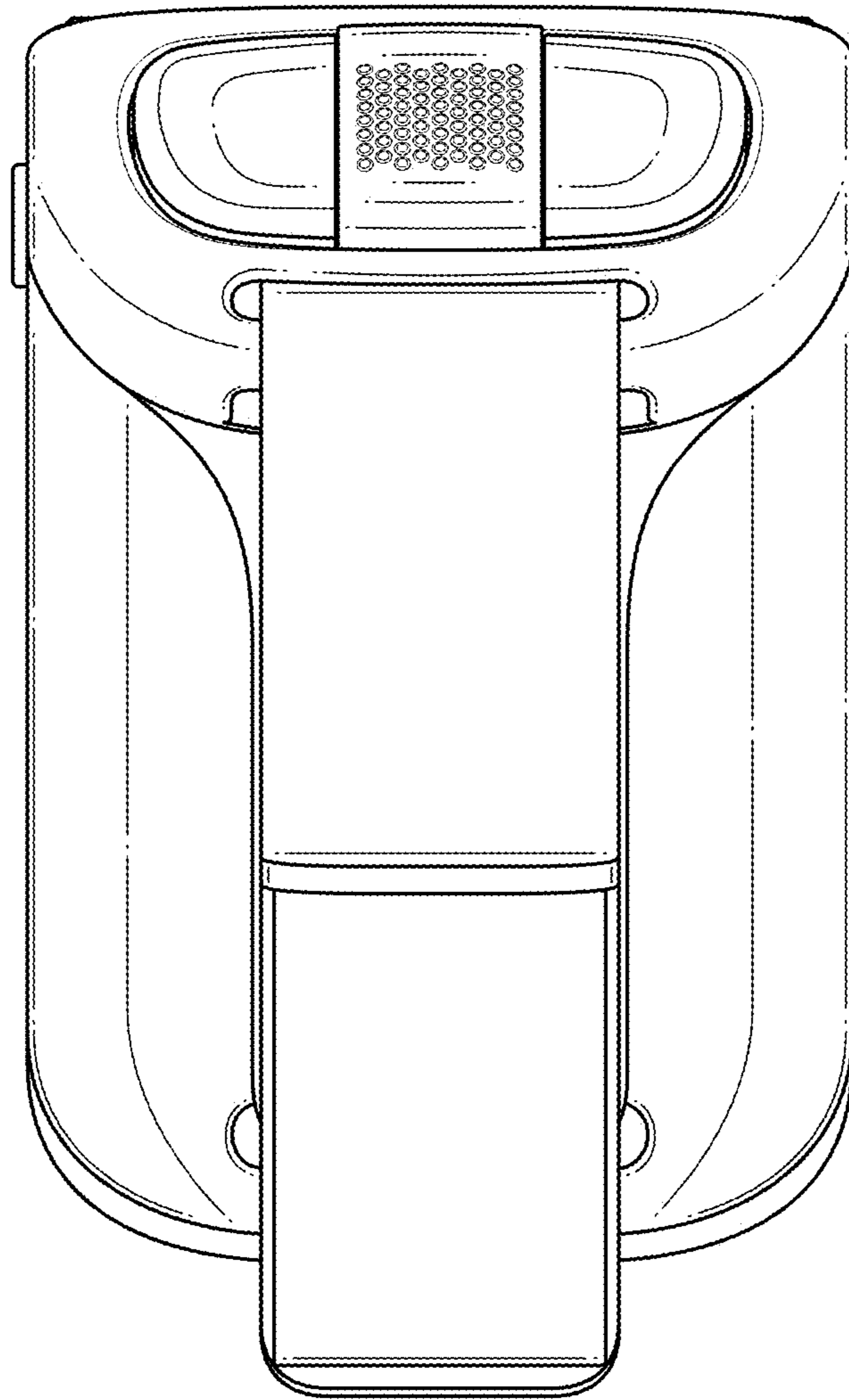


FIG. 4

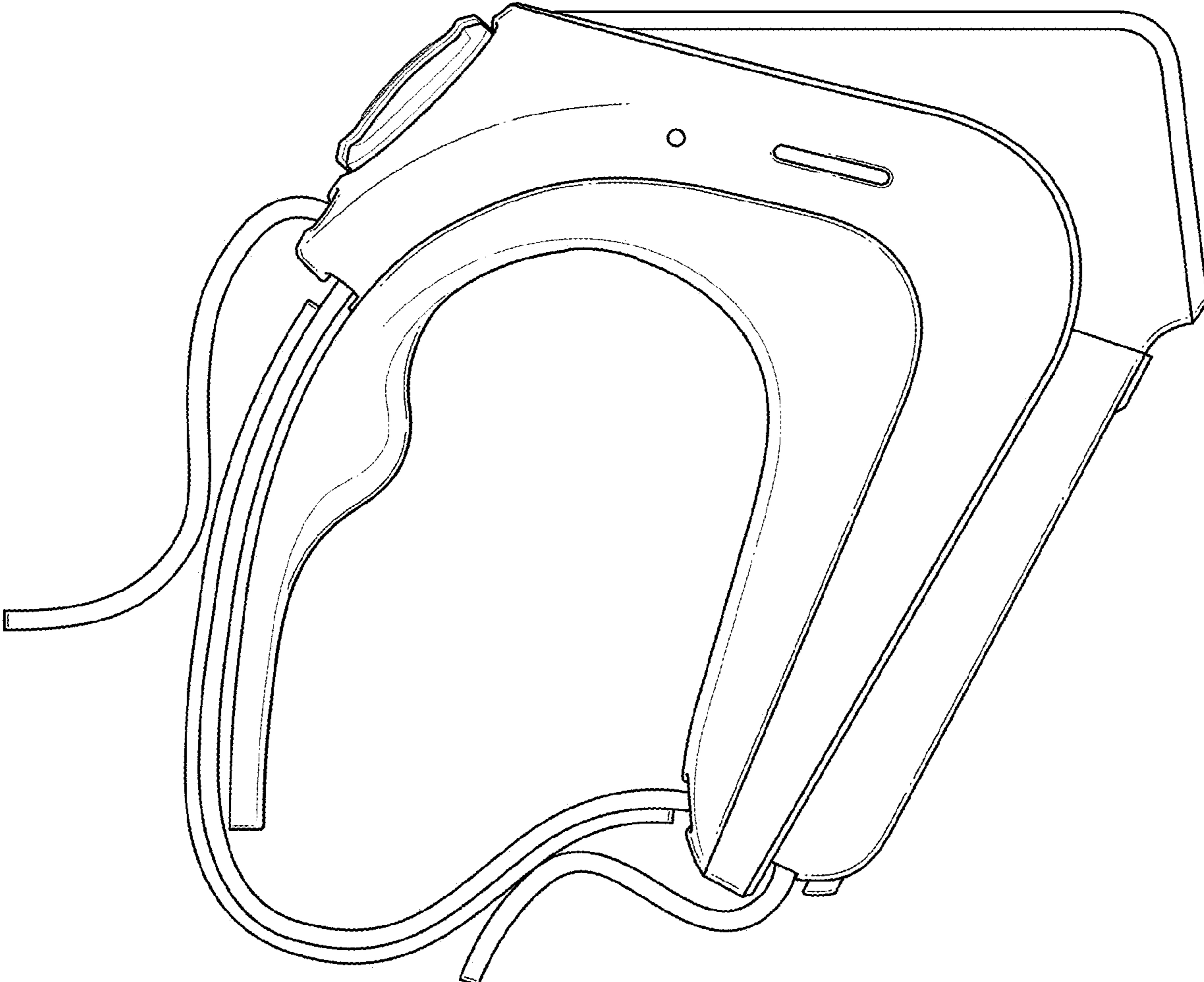


FIG. 5

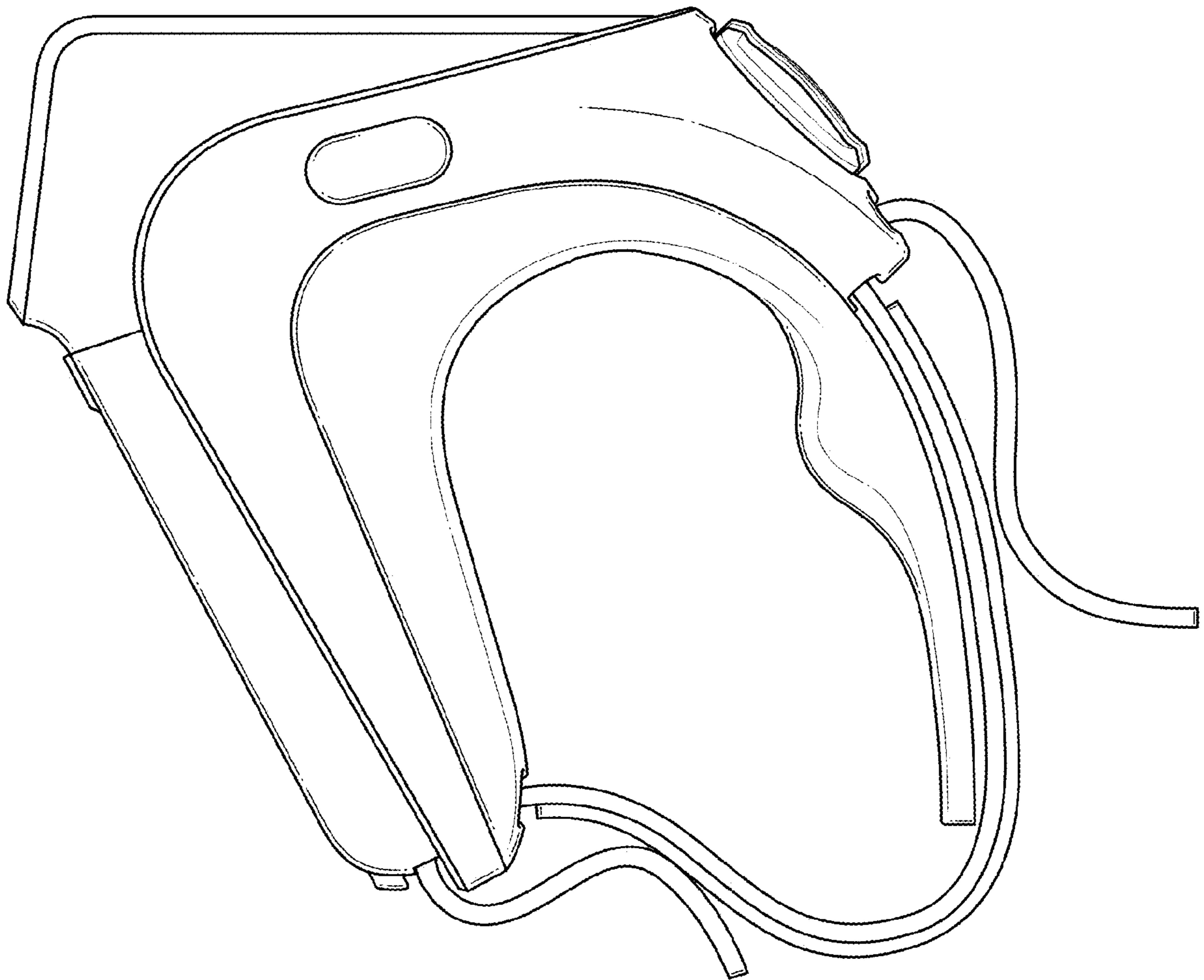


FIG. 6

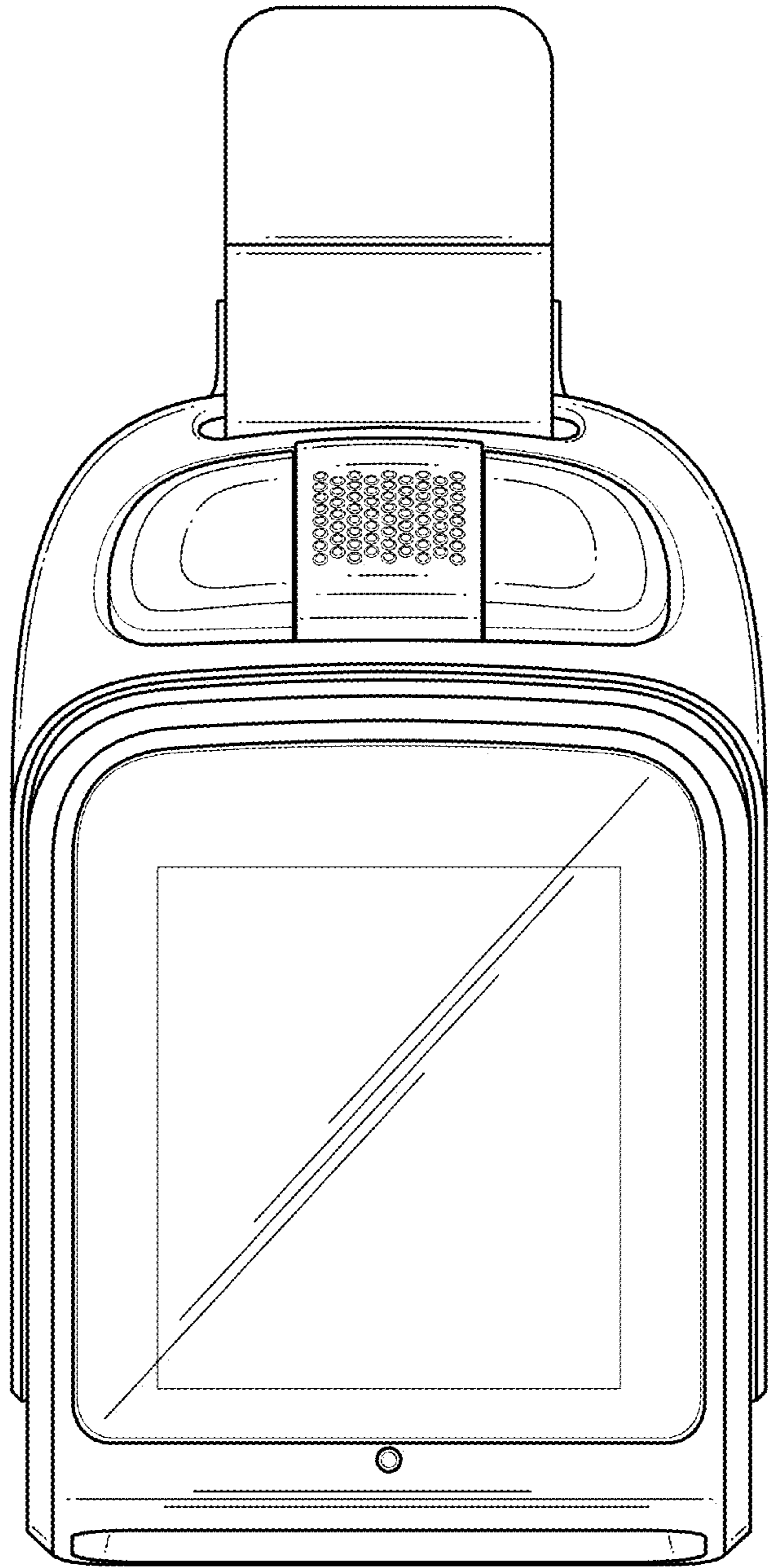


FIG. 7

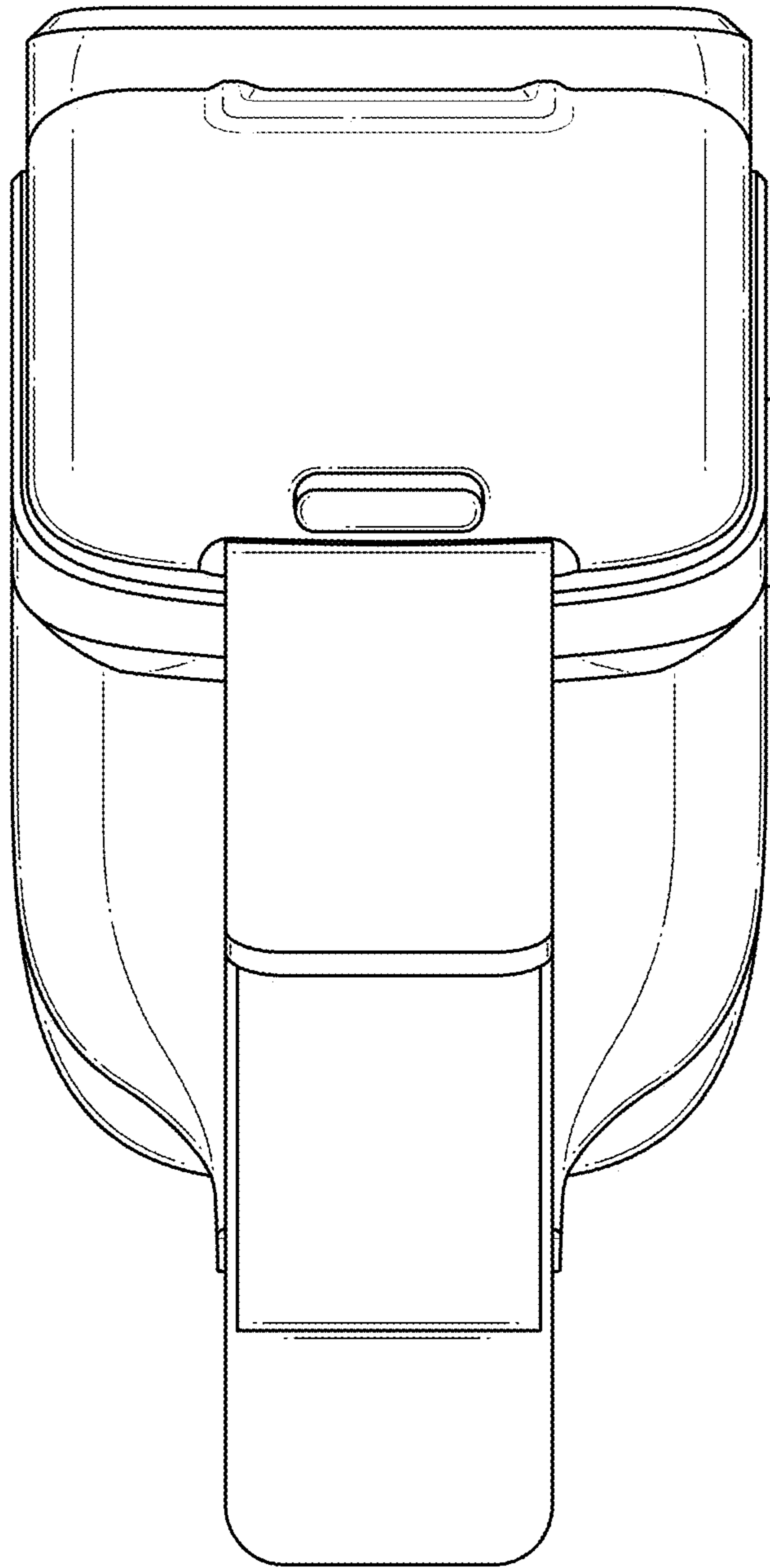


FIG. 8