



US00D983200S

(12) **United States Design Patent** (10) **Patent No.:** **US D983,200 S**
Ali et al. (45) **Date of Patent:** **** Apr. 11, 2023**

(54) **STOP FOR A TRIGGER BUTTON OF A VIDEO GAME CONTROLLER**

Primary Examiner — Khawaja Anwar
Assistant Examiner — Megan Tiana Rakos
(74) *Attorney, Agent, or Firm* — Bennett Jones LLP

(71) Applicant: **Collective Minds Gaming Co. Ltd.**,
Maple Ridge (CA)

(72) Inventors: **Darren Ali**, Maple Ridge (CA); **Ken Dornbusch**, Maple Ridge (CA)

(57) **CLAIM**

The ornamental design for a stop for a trigger button of a video game controller, as shown and described.

(**) Term: **15 Years**

(21) Appl. No.: **29/769,902**

DESCRIPTION

(22) Filed: **Feb. 8, 2021**

(51) **LOC (14) Cl.** **14-02**

(52) **U.S. Cl.**
USPC **D14/401**

(58) **Field of Classification Search**
USPC D14/253, 250, 400, 401, 412, 420, 447;
D12/178; D21/324, 333; D6/406.4,
D6/406.5

FIG. 1 is a bottom perspective view of a stop for a trigger button of a video game controller, showing the new design. FIG. 2 is a top perspective view thereof. FIG. 3 is a front perspective view thereof. FIG. 4 is rear perspective view thereof. FIG. 5 is a right-side perspective view thereof. FIG. 6 is a left-side perspective view thereof. FIG. 7 is a bottom, front, right-side perspective view thereof. FIG. 8 is a top, front, left-side perspective view thereof. FIG. 9 is a bottom perspective view of the stop for a trigger button of a video game controller, showing a variant of the new design. FIG. 10 is a top perspective view of the variant of FIG. 9. FIG. 11 is a front perspective view of the variant of FIG. 9. FIG. 12 is rear perspective view of the variant of FIG. 9. FIG. 13 is a right-side perspective view of the variant of FIG. 9. FIG. 14 is a left-side perspective view of the variant of FIG. 9. FIG. 15 is a bottom, front, right-side perspective view of the variant of FIG. 9; and, FIG. 16 is a top, front, left-side perspective view of the variant of FIG. 9. In FIGS. 1 and 9, the environment of the video game controller and an associated adapter are shown in broken lines for illustrative purposes only, and form no part of the claimed design.

(Continued)

(56) **References Cited**

U.S. PATENT DOCUMENTS

4,552,360 A 11/1985 Bromley et al.
D298,054 S * 10/1988 Moore D24/161
(Continued)

FOREIGN PATENT DOCUMENTS

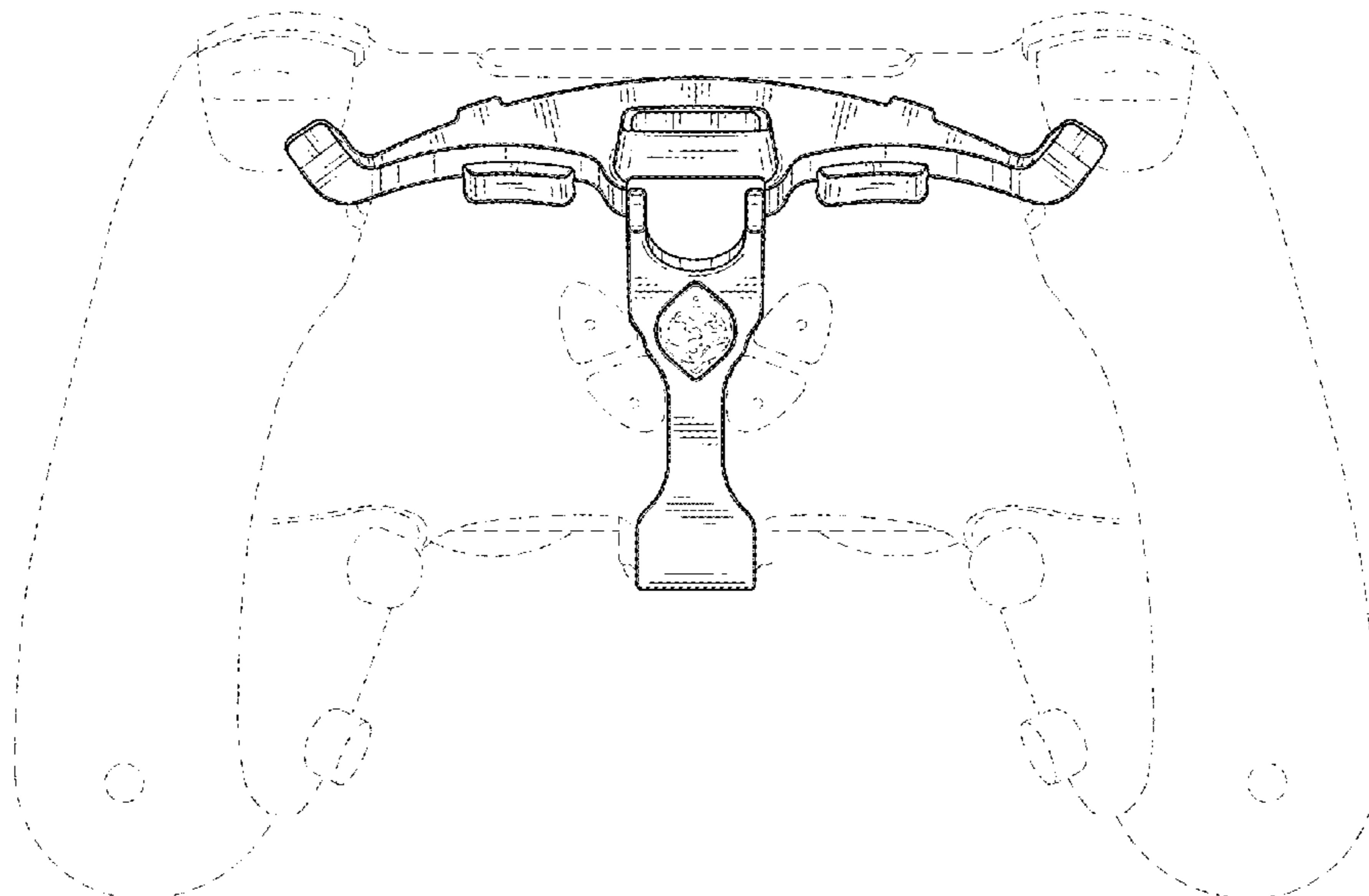
CA 142555 S 4/2013
CA 2747151 A1 11/2015
(Continued)

OTHER PUBLICATIONS

“Review: Scuf Xbox 360 Controller” by Dave Bums, published Oct. 20, 2010. Source <http://www.xboxer360.com/features/review-scuf-xbox-360-controller/> Accessed Oct. 22, 2010.

(Continued)

1 Claim, 8 Drawing Sheets



US D983,200 S

(58) **Field of Classification Search**
 CPC .. A63F 13/98; A63F 13/92; A63F 2300/1025;
 A63F 13/02; A63F 13/06; A63F 13/24;
 A63F 2300/1043; B60R 11/02
 See application file for complete search history.

(56) **References Cited**
 U.S. PATENT DOCUMENTS

D301,407 S * 6/1989 Boeri D8/372
 5,531,443 A 7/1996 Cruz
 5,551,693 A 9/1996 Goto et al.
 D376,826 S 12/1996 Ashida
 D377,198 S 1/1997 Oikawa et al.
 D384,112 S 9/1997 Riley et al.
 5,670,988 A 9/1997 Tickle
 D386,544 S 11/1997 Kajikawa et al.
 5,716,274 A 2/1998 Goto et al.
 D393,291 S 4/1998 Kung
 5,759,100 A 6/1998 Nakanishi
 5,853,326 A 12/1998 Goto et al.
 5,874,906 A * 2/1999 Willner G06F 3/0219
 348/E5.103
 5,883,690 A 3/1999 Meyers et al.
 5,896,125 A 4/1999 Niedzwiecki
 D409,183 S 5/1999 Chen
 D410,643 S 6/1999 Tonino
 5,923,317 A 7/1999 Sayler et al.
 D414,484 S 9/1999 Oikawa
 D415,145 S 10/1999 Oikawa et al.
 D416,247 S 11/1999 Flender et al.
 5,984,548 A 11/1999 Willner et al.
 5,984,785 A 11/1999 Takeda et al.
 6,001,014 A 12/1999 Ogata et al.
 6,019,680 A 2/2000 Cheng
 6,102,803 A 8/2000 Takeda et al.
 D431,604 S 10/2000 Chan
 6,135,886 A 10/2000 Armstrong
 6,155,243 A * 12/2000 Gallops, Jr. F41B 5/123
 124/25
 6,171,191 B1 1/2001 Ogata et al.
 D438,178 S 2/2001 Hames
 6,186,896 B1 2/2001 Takeda et al.
 6,210,278 B1 4/2001 Klitsner
 6,225,975 B1 5/2001 Furuki et al.
 6,231,444 B1 5/2001 Goto et al.
 6,241,611 B1 6/2001 Takeda et al.
 6,261,180 B1 7/2001 Lebensfeld et al.
 6,267,673 B1 7/2001 Miyamoto et al.
 6,279,906 B1 8/2001 Sanderson et al.
 6,280,327 B1 8/2001 Leifer et al.
 6,342,009 B1 1/2002 Soma
 6,394,906 B1 5/2002 Ogata
 D469,436 S 1/2003 Hussaini et al.
 D471,552 S 3/2003 Loughnane et al.
 6,572,108 B1 6/2003 Bristow
 6,659,871 B2 12/2003 Leifer et al.
 6,743,100 B1 6/2004 Neiser
 6,773,349 B2 8/2004 Hussaini et al.
 6,811,491 B1 11/2004 Levenberg et al.
 6,881,147 B2 4/2005 Nashi et al.
 D508,090 S * 8/2005 Blackwell, III D21/333
 D545,317 S 6/2007 Wang et al.
 7,283,125 B2 * 10/2007 Martinez A63F 13/22
 345/169
 D575,350 S 8/2008 Ashida et al.
 D585,931 S 2/2009 Palmer
 D610,625 S 2/2010 Guinchard et al.
 7,762,553 B2 7/2010 Harris
 D620,939 S 8/2010 Suetake et al.
 D622,992 S * 9/2010 Dodd D6/552
 D624,080 S 9/2010 Jennings et al.
 D624,601 S 9/2010 Grossman
 7,859,514 B1 12/2010 Park
 D631,098 S 1/2011 Ashida et al.
 D631,476 S 1/2011 Piedra et al.
 D632,340 S 2/2011 Guinchard et al.

D632,742 S 2/2011 Mueller
 D632,743 S 2/2011 Mueller
 D633,153 S 2/2011 Holcomb et al.
 D638,017 S 5/2011 Ortiz
 D649,552 S * 11/2011 Huang F16M 11/08
 D14/452
 8,142,269 B2 3/2012 Tsukahara
 D665,026 S 8/2012 VanBuren
 D667,892 S 9/2012 Burgess et al.
 8,267,786 B2 9/2012 Ikeda
 D671,950 S * 12/2012 Richter D14/447
 D673,618 S 1/2013 Harper
 D685,434 S 7/2013 Ali et al.
 8,576,199 B1 11/2013 Pryor
 8,608,564 B2 12/2013 Navid
 8,641,525 B2 2/2014 Burgess et al.
 D706,874 S 6/2014 Ngoy et al.
 8,740,708 B2 6/2014 Karacal et al.
 8,752,802 B1 * 6/2014 Fan H04M 1/04
 248/316.1
 8,753,206 B2 6/2014 Ali et al.
 D708,675 S 7/2014 Delrue et al.
 D710,945 S 8/2014 Biheller et al.
 D717,875 S 11/2014 Uhrman et al.
 D721,139 S 1/2015 Burgess et al.
 D723,032 S 2/2015 Schoenith et al.
 8,976,857 B2 3/2015 Rosen et al.
 D733,802 S 7/2015 Burgess et al.
 9,089,770 B2 7/2015 Burgess et al.
 D736,322 S 8/2015 Navid
 D737,273 S 8/2015 Schoenith et al.
 D741,864 S * 10/2015 Ruhland D14/426
 D748,734 S 2/2016 Burgess et al.
 D752,150 S 3/2016 Young et al.
 D752,688 S 3/2016 Jensen
 9,289,688 B2 3/2016 Burgess et al.
 9,308,450 B2 4/2016 Burgess et al.
 9,409,088 B2 8/2016 Antonio
 D777,260 S 1/2017 Burgess et al.
 D778,989 S 2/2017 Ali et al.
 D787,606 S 5/2017 Coe
 D800,223 S 10/2017 Navid
 D808,466 S 1/2018 Foster et al.
 D810,202 S 2/2018 Foster et al.
 D810,831 S * 2/2018 Ali D14/401
 D819,140 S * 5/2018 Ali D21/333
 10,232,254 B2 3/2019 Gassoway et al.
 10,252,173 B2 3/2019 Dornbusch et al.
 D849,146 S 5/2019 Kuoch et al.
 10,427,035 B2 10/2019 Schmitz et al.
 10,463,979 B2 * 11/2019 Dornbusch A63F 13/23
 D870,207 S 12/2019 Ali et al.
 10,625,152 B2 4/2020 Biheller
 D905,060 S 12/2020 Tsuchida
 D909,488 S 2/2021 Zheng
 D917,268 S * 4/2021 Garcia D8/373
 D934,343 S 10/2021 Ali et al.
 11,192,037 B2 12/2021 Dornbusch et al.
 2001/0012801 A1 8/2001 Komata
 2004/0224768 A1 11/2004 Hussaini et al.
 2006/0084504 A1 4/2006 Chan et al.
 2009/0014487 A1 * 1/2009 Fan B60R 11/02
 224/483
 2009/0088250 A1 4/2009 Carslon et al.
 2012/0244944 A1 9/2012 Kotkin
 2013/0000135 A1 * 1/2013 Bruder F41G 1/467
 29/428
 2013/0270850 A1 * 10/2013 Fan A45F 5/00
 294/137
 2013/0324236 A1 12/2013 Koppe
 2015/0274081 A1 * 10/2015 Fan B60R 11/02
 224/570

(56)

References Cited

U.S. PATENT DOCUMENTS

2015/0363007 A1 12/2015 Lysenko
 2017/0354895 A1* 12/2017 Dornbusch A63F 13/30

FOREIGN PATENT DOCUMENTS

CA	162784 S	11/2016
CA	2969968 A1	12/2017
CA	3049007 A	7/2018
CA	169939 S	11/2018
CA	2977382 A1	12/2018
CA	2932358 C	7/2020
CA	187859 S	11/2020
GB	2481633 A	1/2012

OTHER PUBLICATIONS

Collective Minds D-Grip Directional Pad & Silicone Cover—Black: Published Nov. 1, 2018 [online], site visited Sep. 11, 2019. Available from Internet URL: https://www.amazon.com/dp/B07J2JVFRD/ref=cm_sw_r_tw_dp_U_x_0UyEDbNFYWRGV (Year: 2018).

Collective Minds D-Grip D-Pad Covers for the Nintendo Switch’s Joy-Cons Left/Right: Published May 9, 2019 [online], site visited Sep. 11, 2019. Available from Internet URL: <https://imgur.com/gallery/cYJvEnB> (Year: 2019).

Collective Minds Strike Pack Eliminator Adapter for Xbox One, online, no post date, URL: <https://www.strikepackeliminator.com/>, retrieved Apr. 13, 2020.

Xbox One (XB1) Collective Minds Strike Pack Setup, YouTube online, post date Dec. 14, 2018, URL: <https://www.youtube.com/watch?v=wuSH3-K4EJQ>, retrieved Apr. 13, 2020.

Joy-Con Gel Guards with Thumb Grips Caps for Nintendo Switch (Black) Mibote: Published Mar. 14, 2017 [online], site visited Sep. 11, 2019. Available from Internet URL: https://www.amazon.com/dp/B06XKT1M5K/ref=cm_sw_r_tw_dp_U_x_A6yEDb2G16V2C (Year: 2017).

Joy-Con Special Cover soft type for Nintendo Switch [Hori] Gametech Direct: Published Nov. 24, 2017 [online], site visited Sep. 11, 2019. Available from Internet URL: https://www.amazon.com/dp/B01N3559HY/ref=cm_sw_r_tw_dp_U_x_fYyEDbX1NA32S (Year: 2017).

Best Buy. (n.d.). PowerA—Fusion Pro Wired Controller for Xbox One—White—B. <https://www.bestbuy.com/site/powera-fusion-pro-controller-for-xbox-one-xbox-one-s-and-xbox-one-x-white-b/6356693.p?skuId=6356693>.

Machkovech, S. (Jul. 15, 2015). Microsoft unveils new \$150 Xbox One Elite controller—and we’ve held it. Arstechnica. <https://arstechnica.com/gaming/2015/06/microsoft-unveils-new-xbox-one-elite-controller-and-weve-held-it/>.

Kelly, S. (Dec. 7, 2015). Steam Under Fire—New Case: Ironburg Inventions v Valve (NDGA 2015). PatentArcade. <http://www.patentarcade.com/2015/12/steam-under-fire-new-case-ironburg.html>.

* cited by examiner

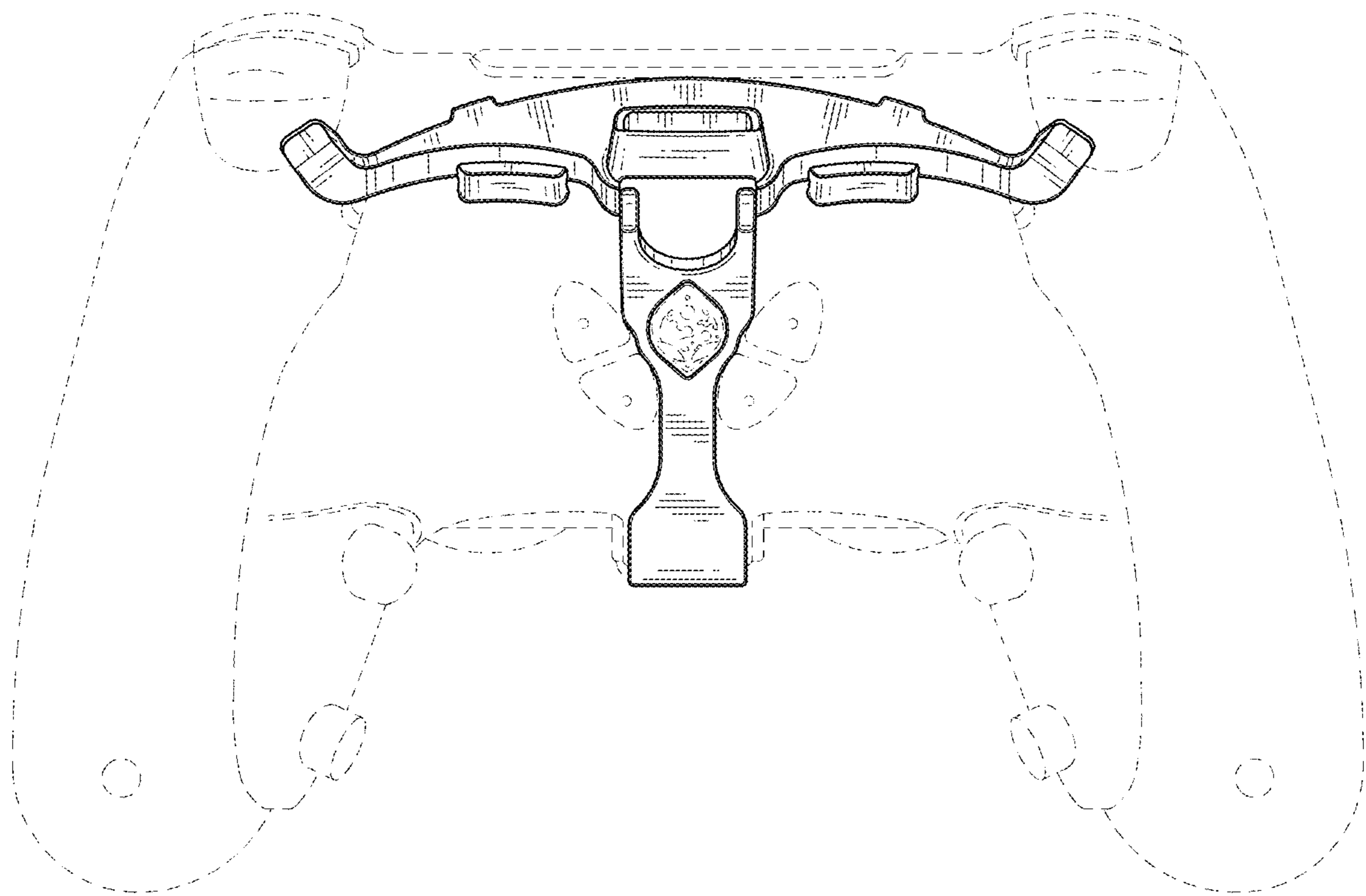


FIG. 1

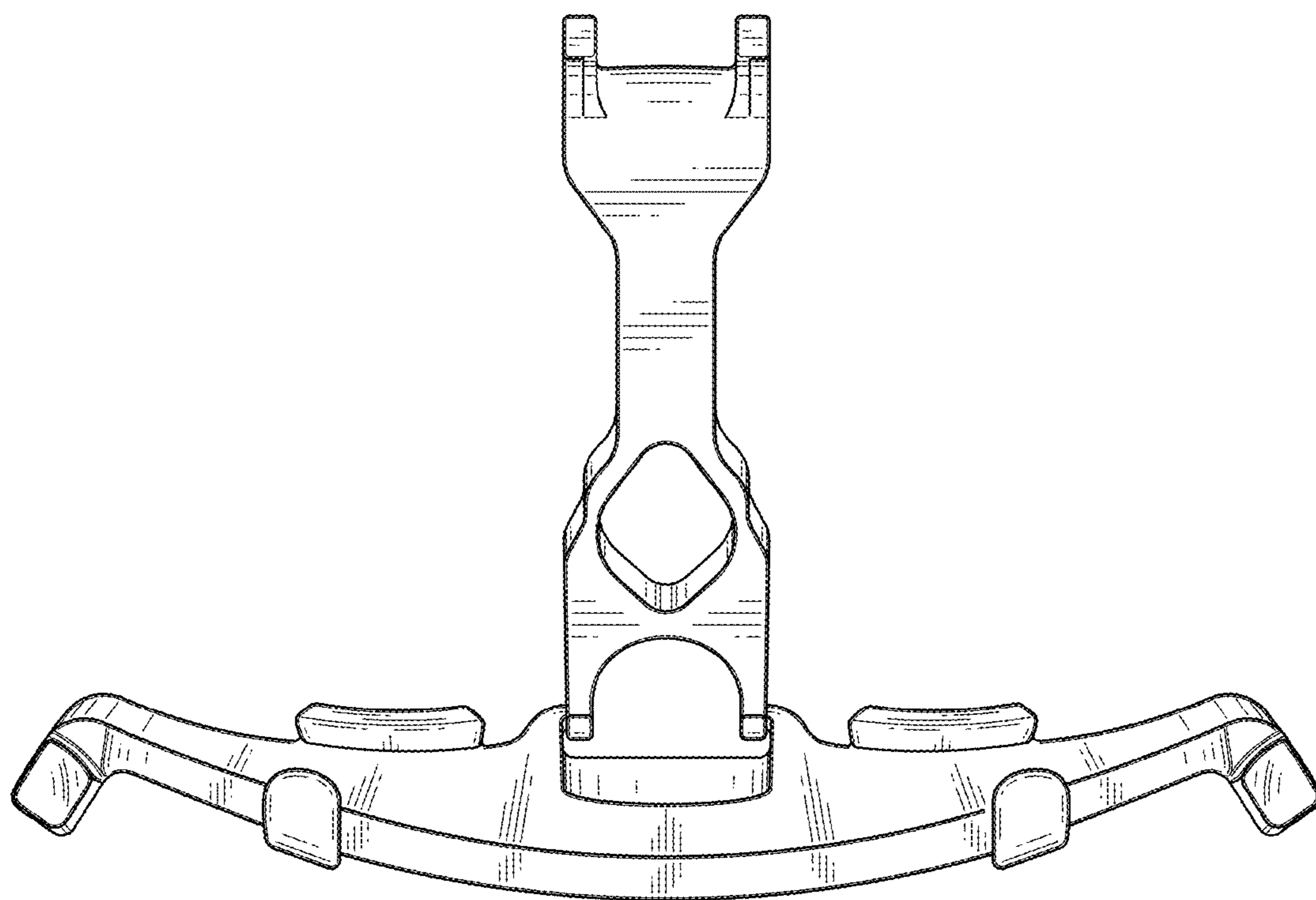


FIG. 2

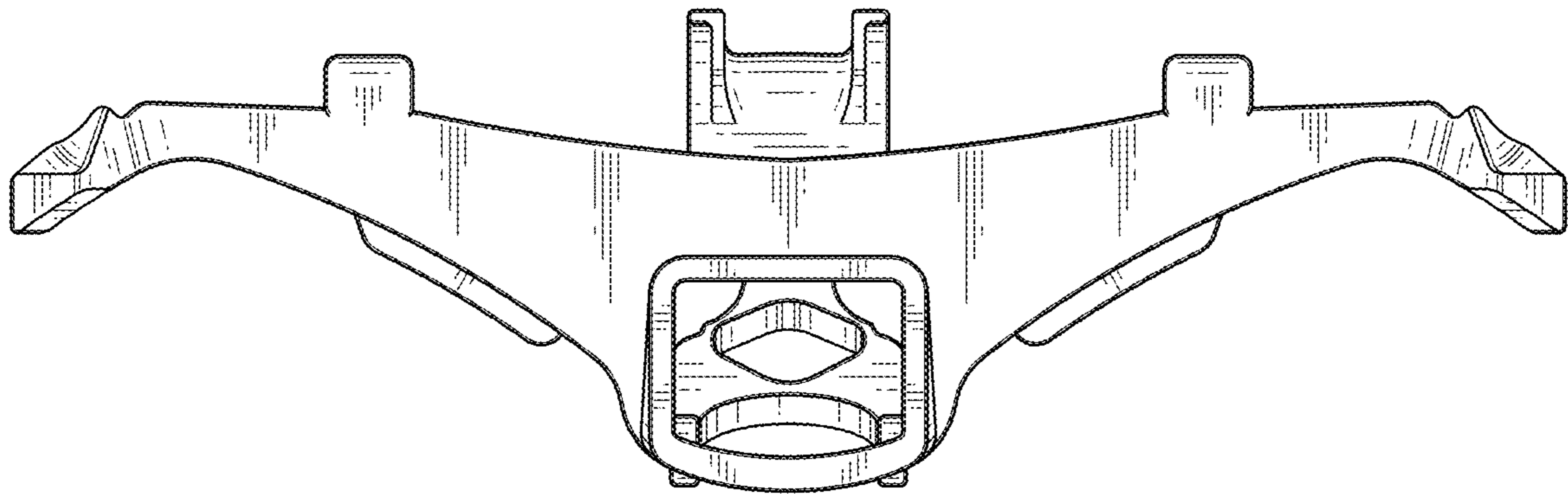


FIG. 3

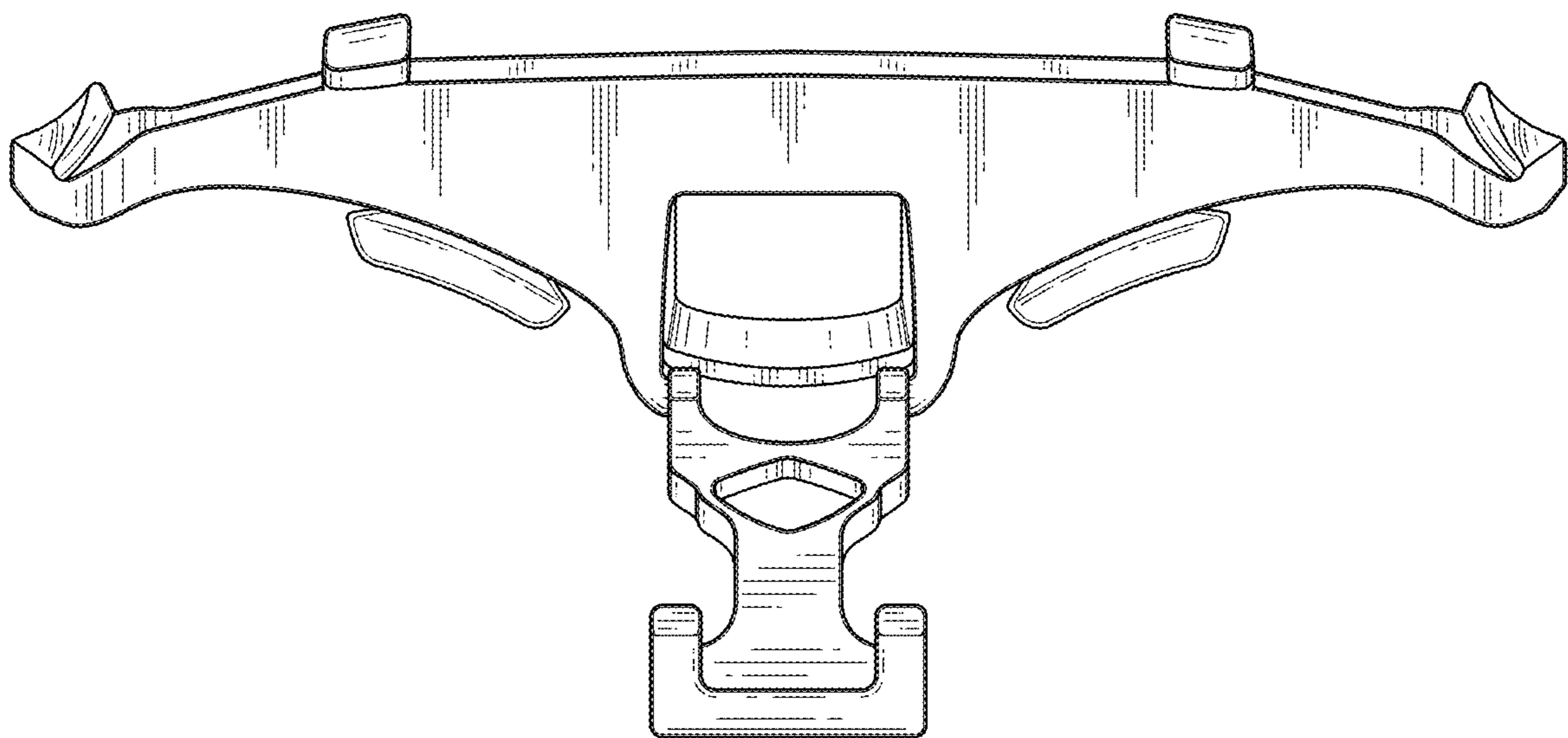


FIG. 4

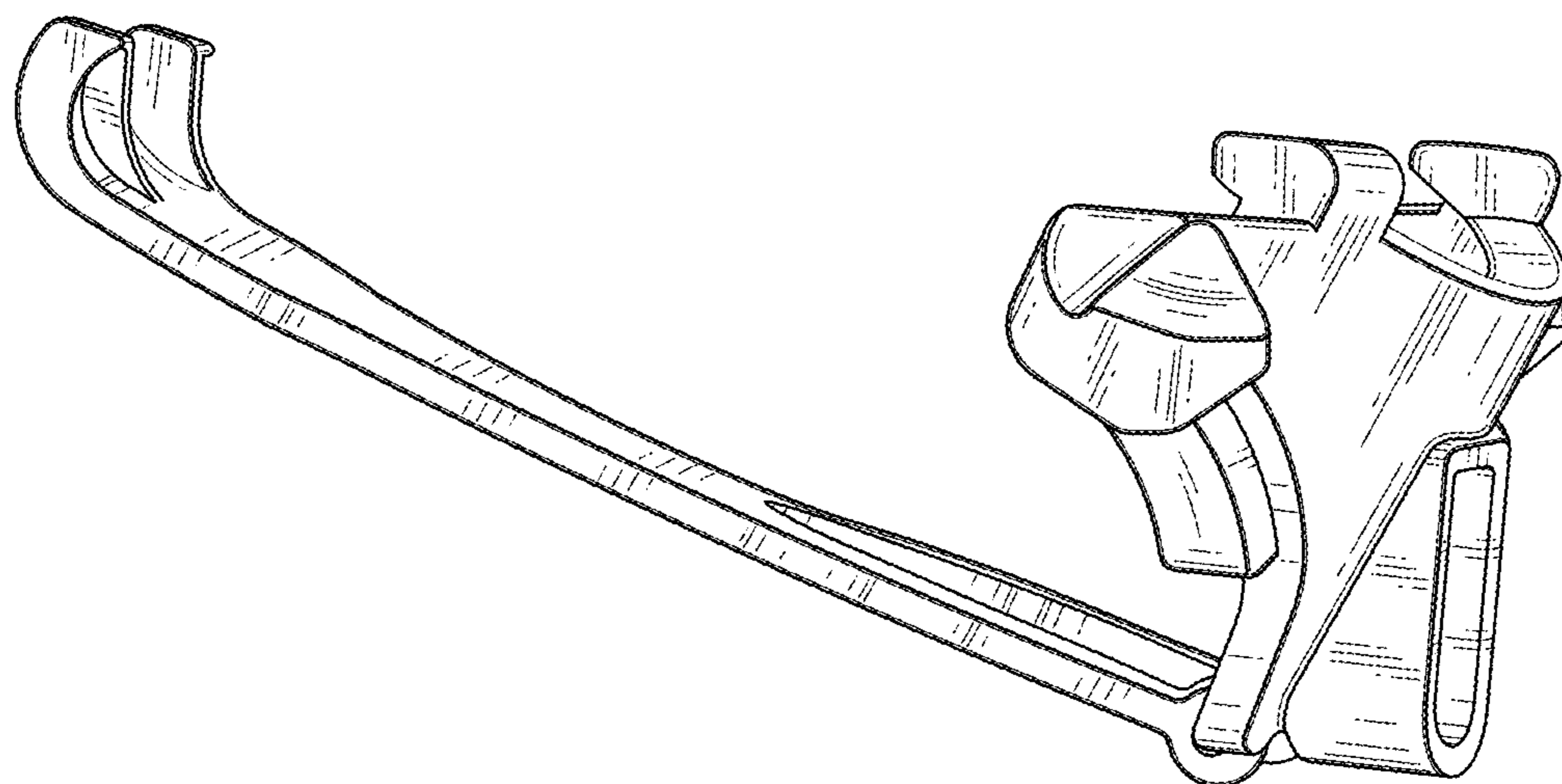


FIG. 5

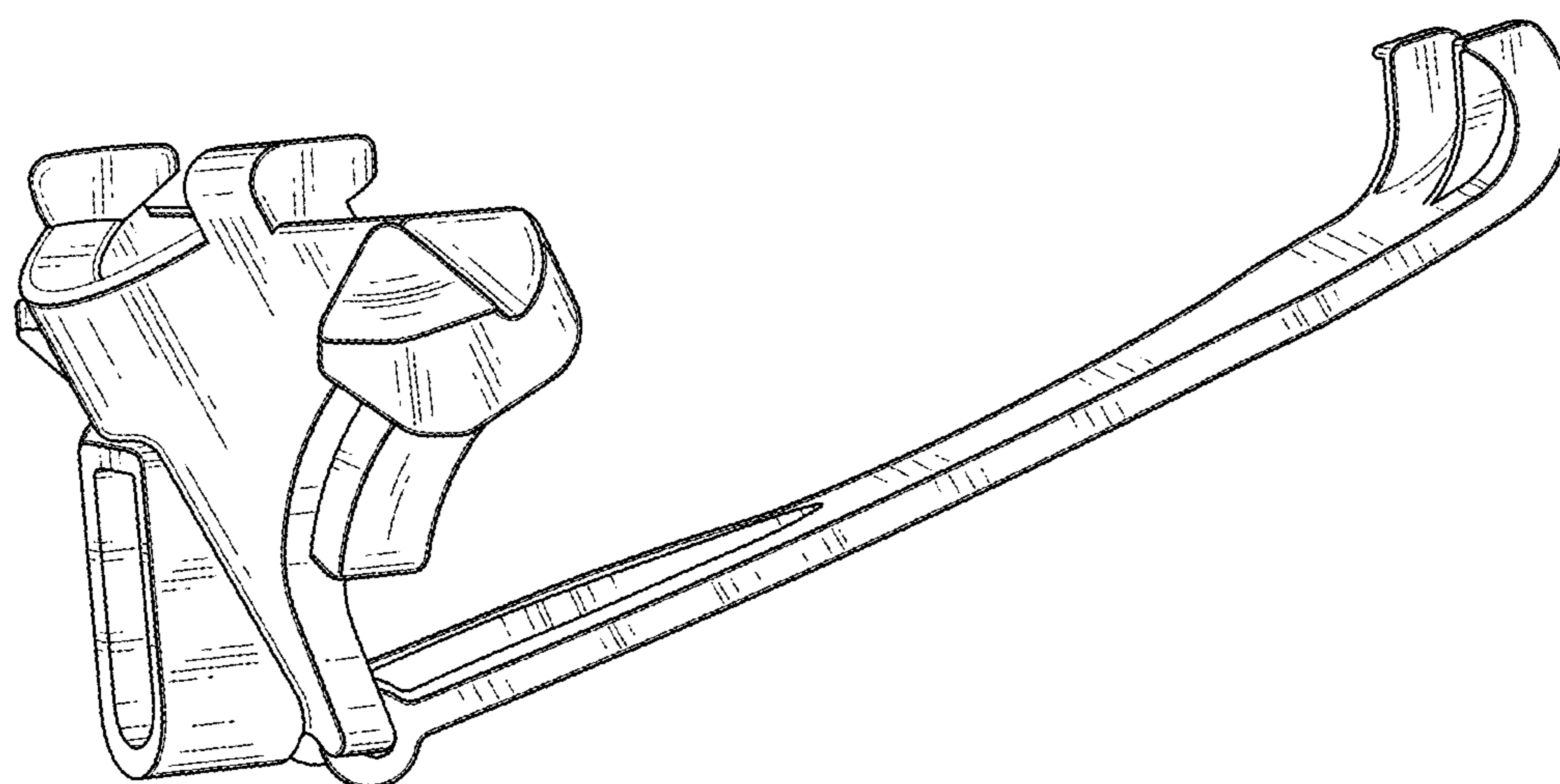


FIG. 6

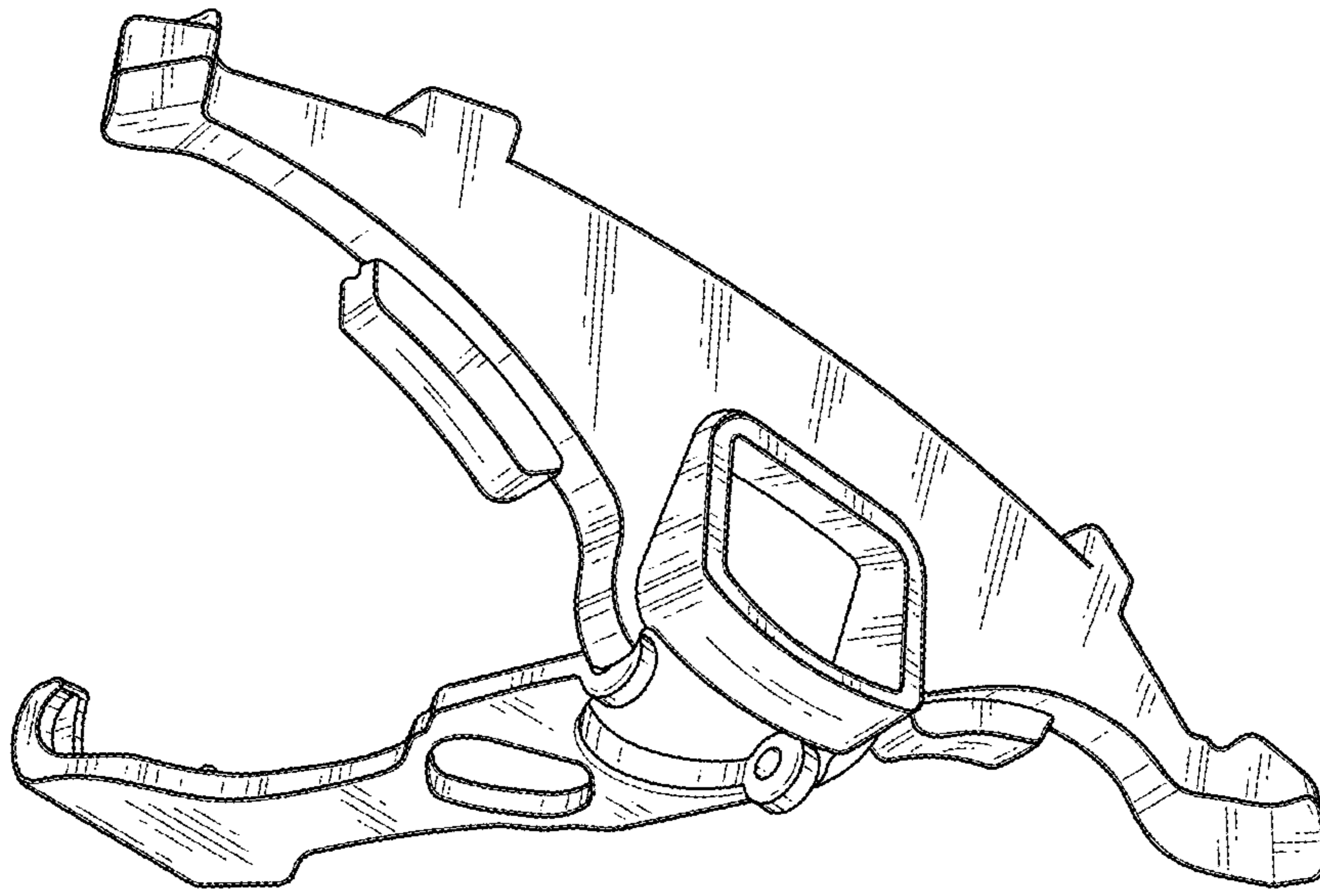


FIG. 7

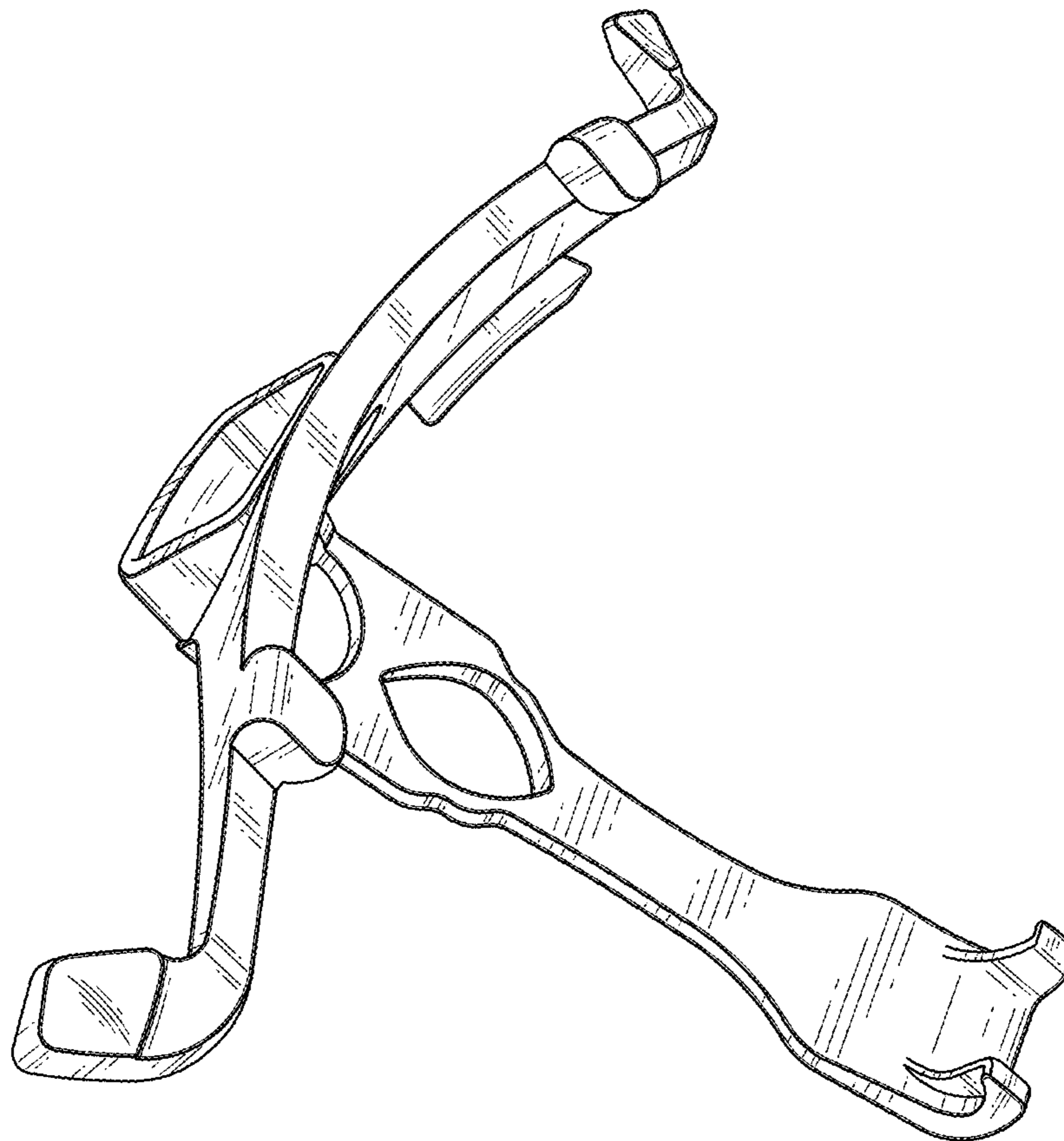


FIG. 8

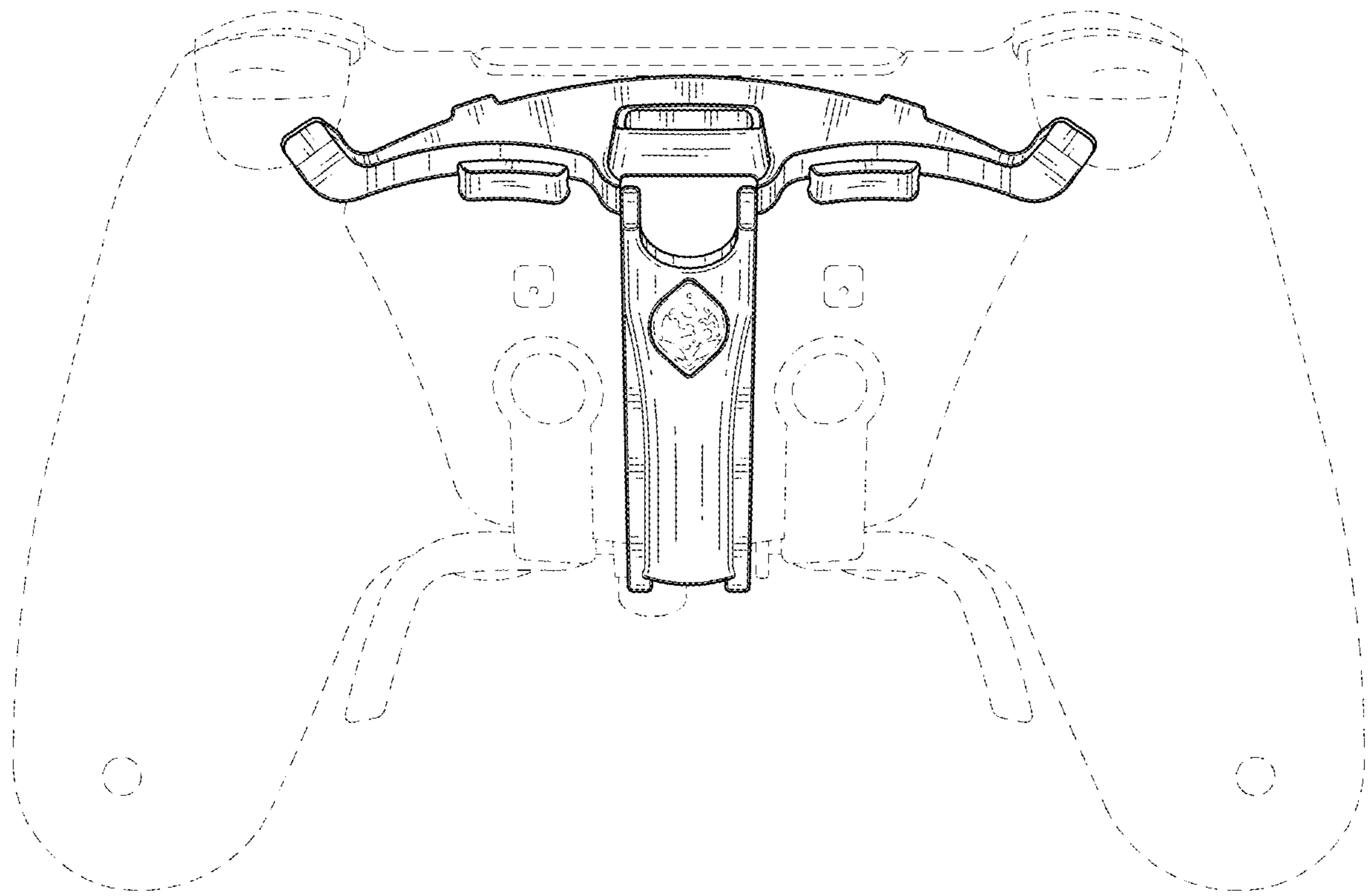


FIG. 9

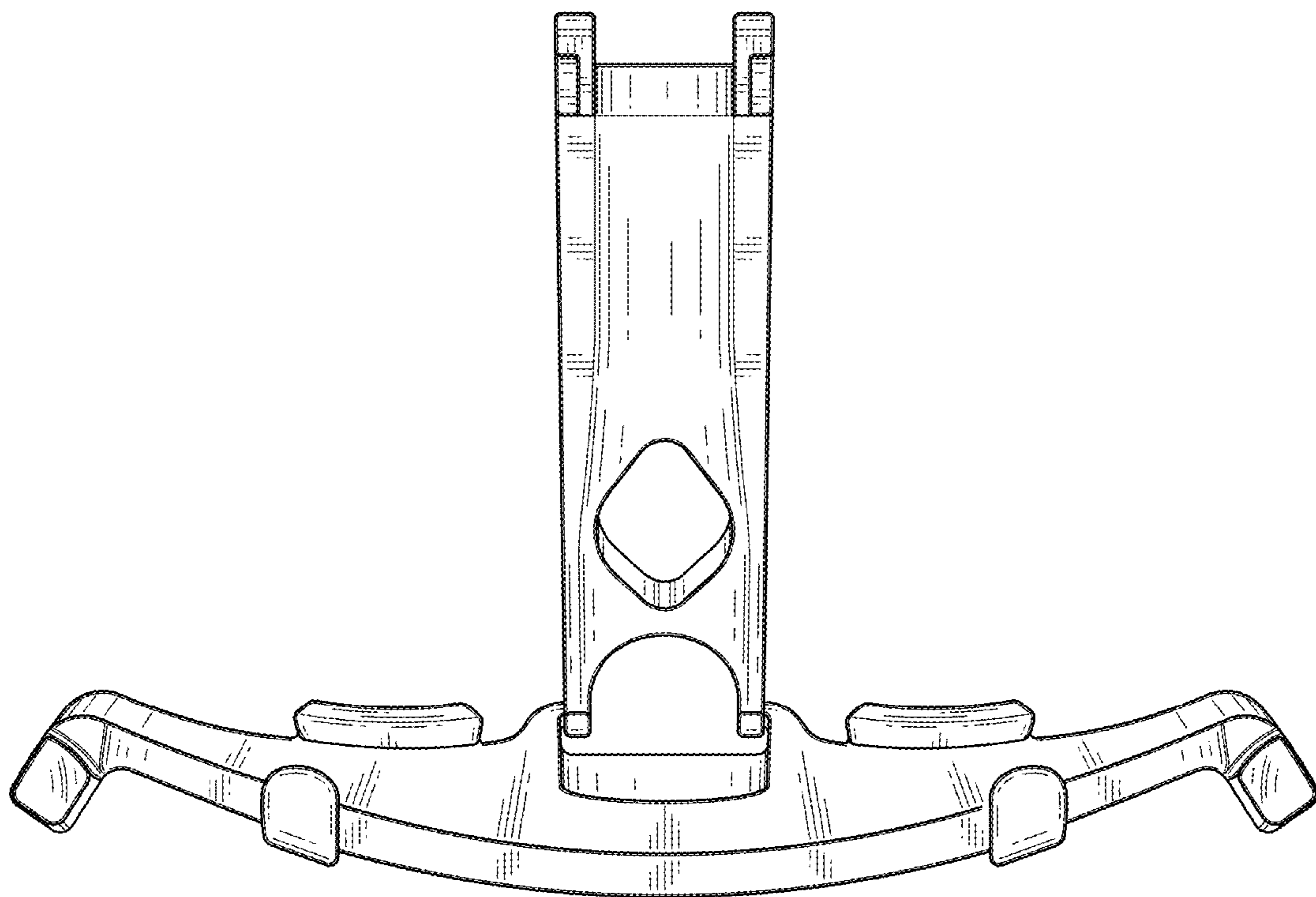


FIG. 10

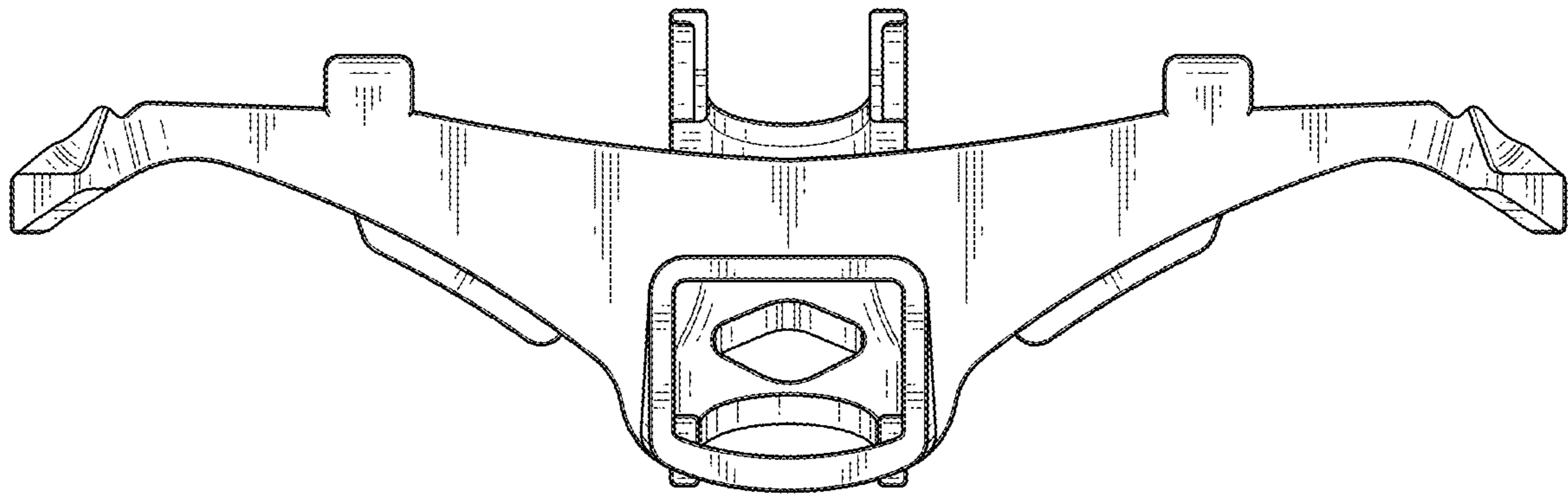


FIG. 11

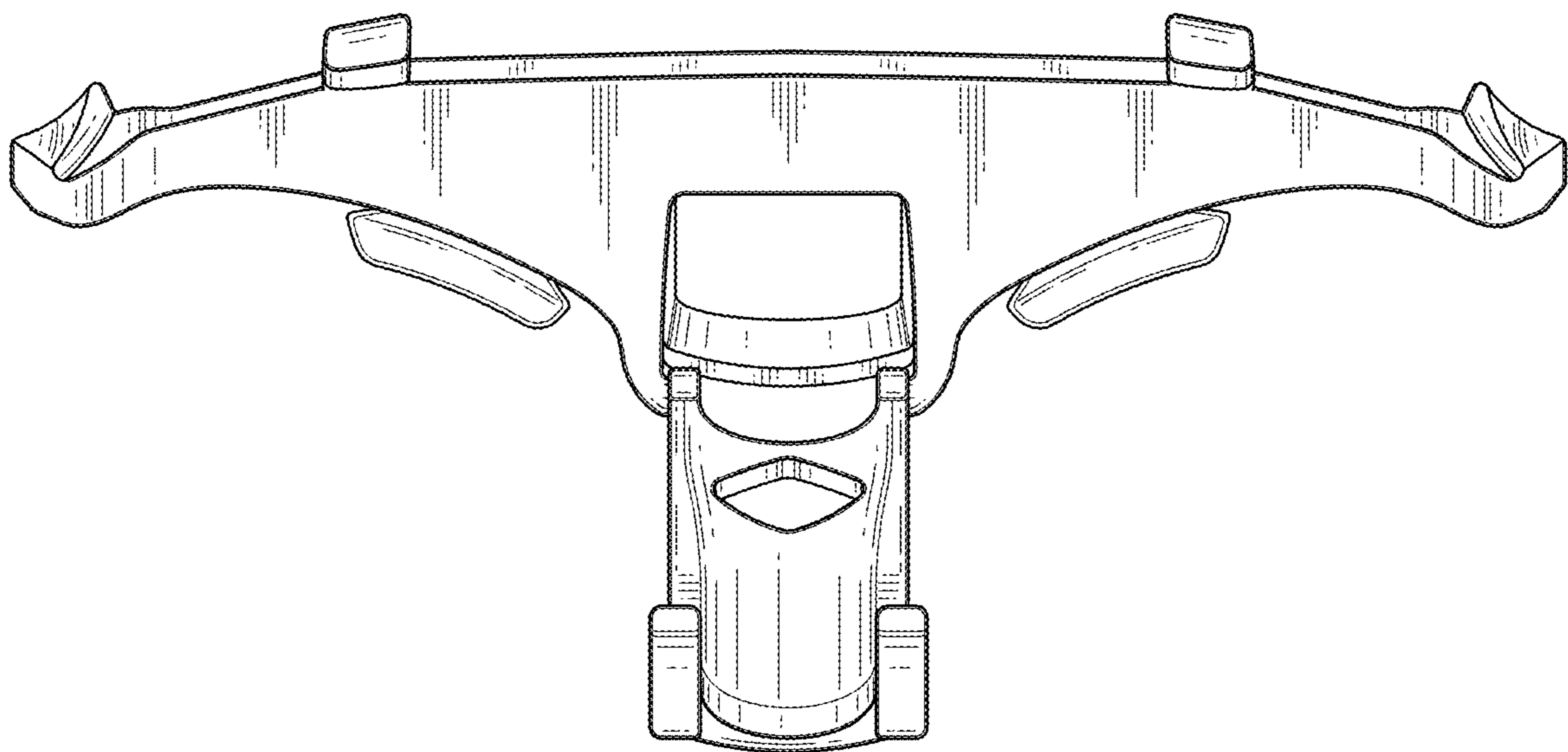


FIG. 12

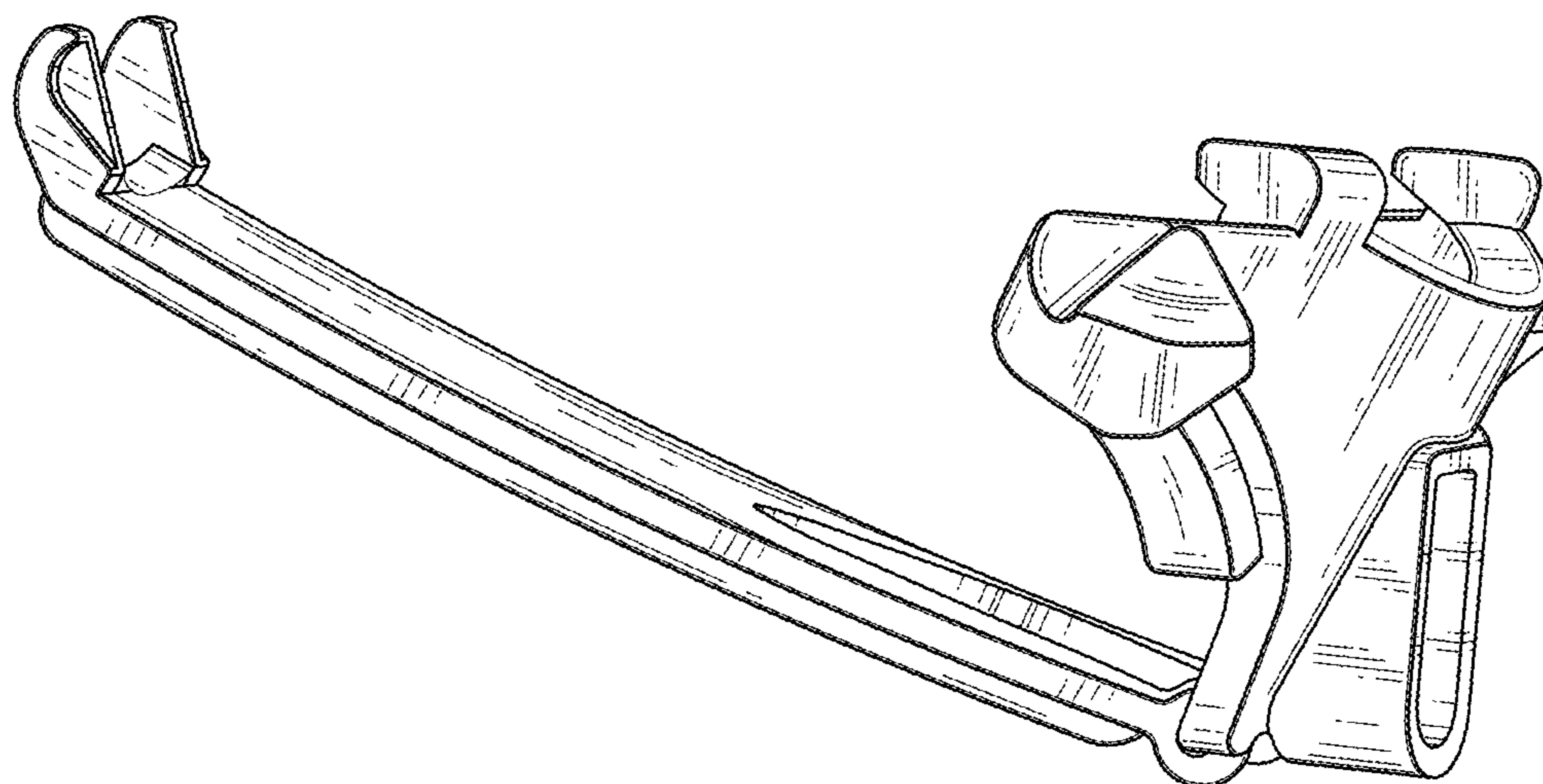


FIG. 13

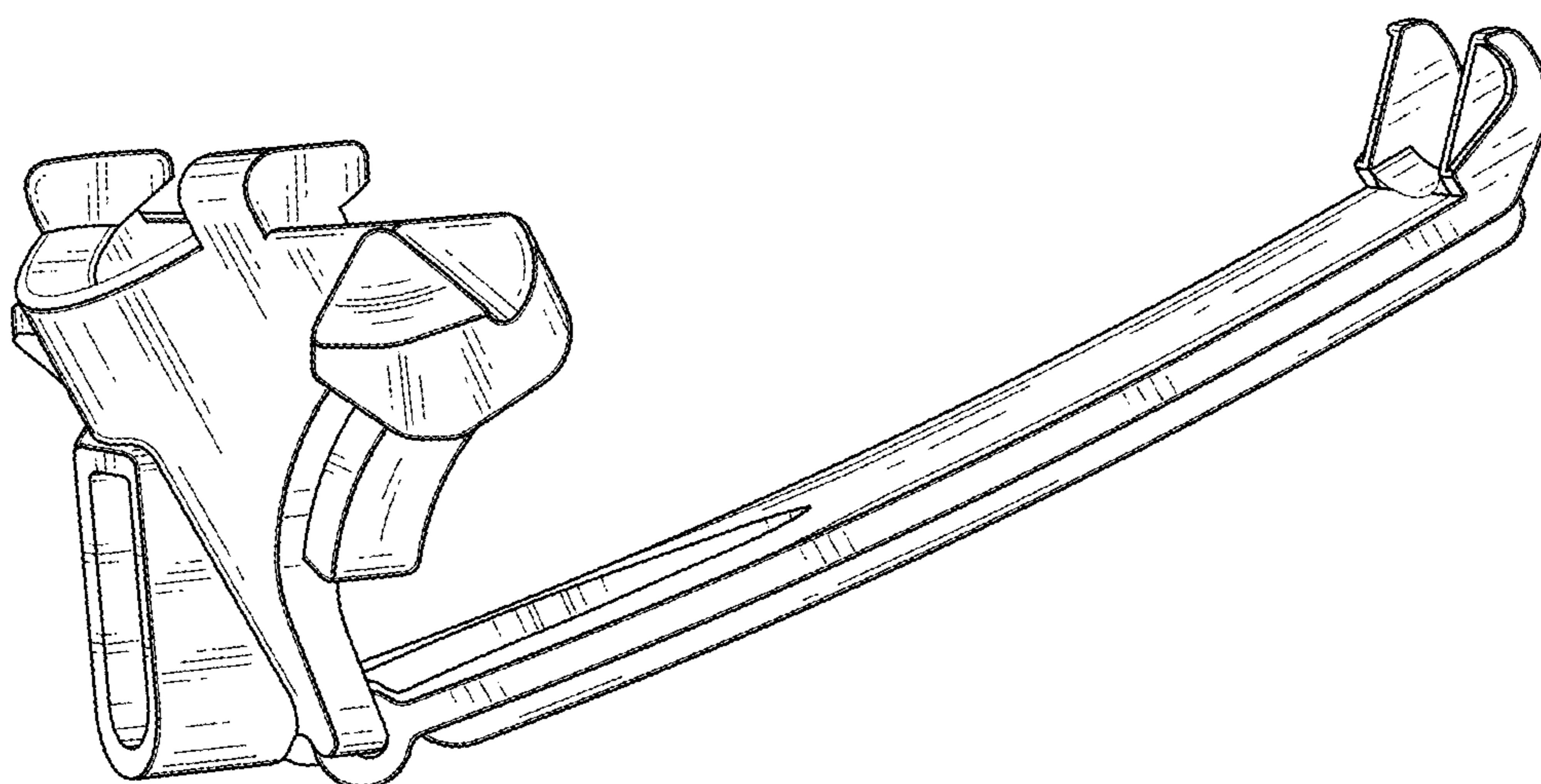


FIG. 14

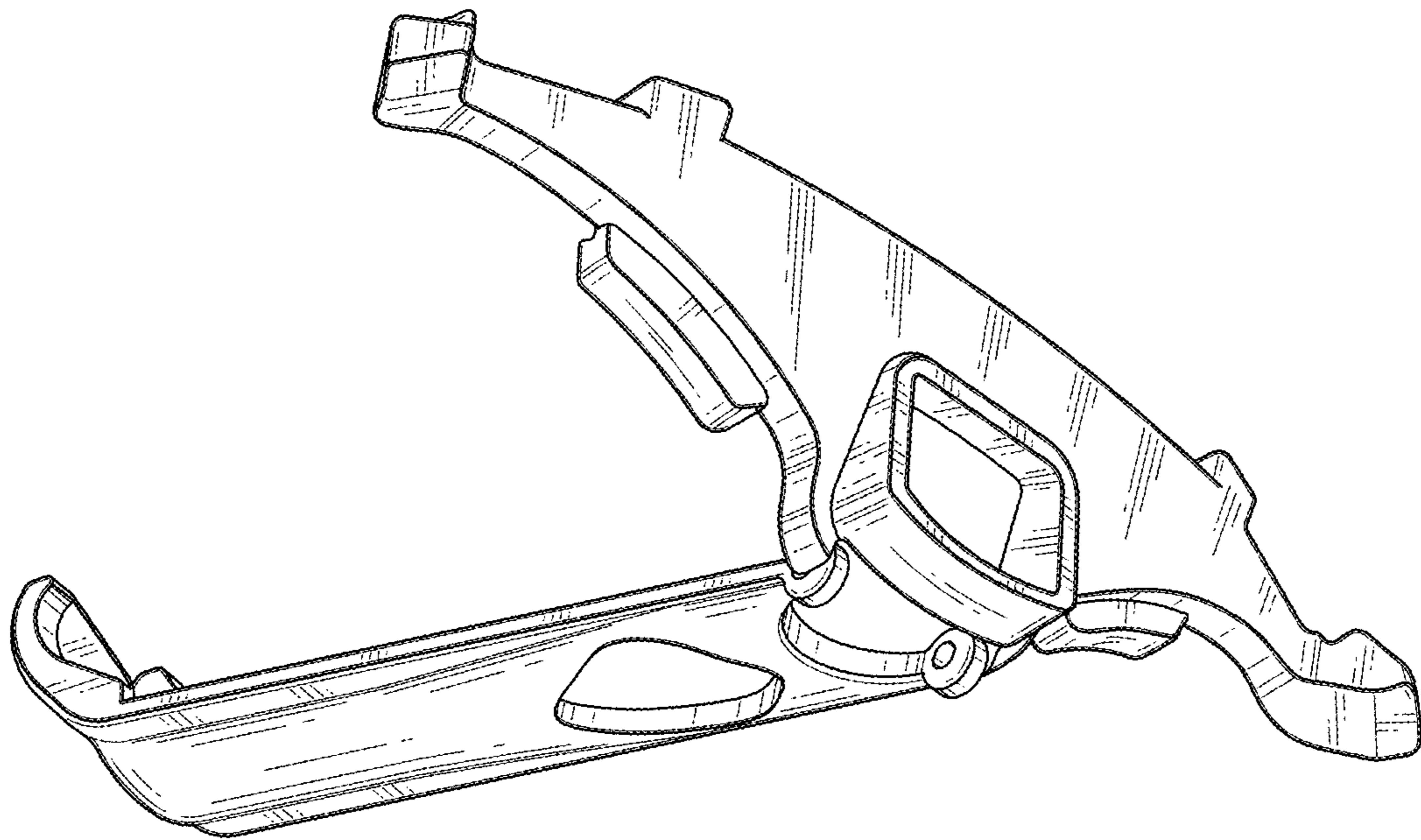


FIG. 15

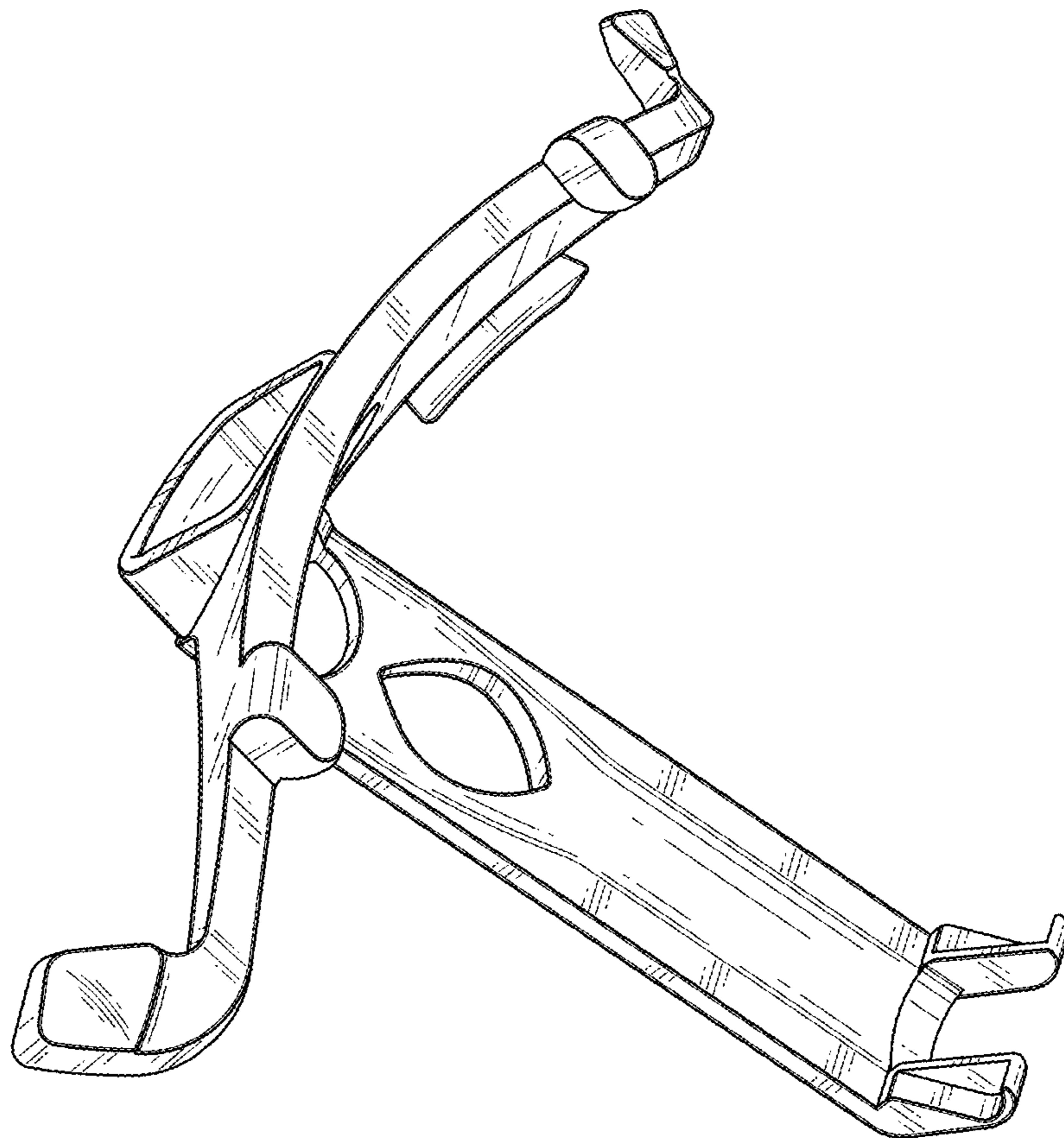


FIG. 16