



US00D983199S

(12) **United States Design Patent** (10) **Patent No.:** **US D983,199 S**
Guo (45) **Date of Patent:** **** Apr. 11, 2023**

(54) **KEYBOARD**

(71) Applicant: **Linlong Guo**, Guizhou Province (CN)

(72) Inventor: **Linlong Guo**, Guizhou Province (CN)

(**) Term: **15 Years**

(21) Appl. No.: **29/870,266**

(22) Filed: **Jan. 19, 2023**

(51) **LOC (14) Cl.** **14-02**

(52) **U.S. Cl.**
USPC **D14/392**

(58) **Field of Classification Search**

USPC D14/331, 333, 338, 339, 340, 388, 390,
D14/391, 392, 393, 394, 395, 396, 398,
D14/399, 401, 455, 397, 334, 456;
D18/1, 2, 4.2, 4.3, 7, 12, 12.2; D21/324,
D21/333; D24/160, 186

CPC A47B 2200/0091; A47B 2200/0093; G06F
3/02; G06F 3/0202; G06F 3/0208; G06F
3/0213; G06F 3/021; G06F 3/0216; G06F
3/0231; G06F 3/0235; G06F 3/0238;
H01H 2217/044; H01H 2225/028
See application file for complete search history.

(56) **References Cited**

U.S. PATENT DOCUMENTS

5,220,521 A * 6/1993 Kikinis H01H 13/702
361/679.1
D471,559 S * 3/2003 De Saulles D14/392
D490,077 S * 5/2004 Lance D14/396
9,223,344 B2 * 12/2015 Wang G06F 1/1654
D746,819 S * 1/2016 Feiz D14/392
D768,632 S * 10/2016 Rüegg et al. D14/392
D773,473 S * 12/2016 Min D14/455
D775,136 S * 12/2016 Min D14/455
D909,375 S * 2/2021 Chan D14/392
D911,336 S * 2/2021 Chan D14/392
D912,066 S * 3/2021 Zhu D14/455

D940,138 S * 1/2022 Oljaca D14/392
D970,502 S 11/2022 Jinkinson et al.
D976,260 S * 1/2023 Ehrenberg D14/392
2005/0231485 A1 * 10/2005 Jones G06F 21/83
345/168

FOREIGN PATENT DOCUMENTS

CN 303579103 * 2/2016
CN 305412786 * 11/2019
CN 305989183 * 8/2020
CN 307279216 * 4/2022
CN 307337936 * 5/2022
CN 307481242 * 8/2022
CN 307593393 S 10/2022

* cited by examiner

Primary Examiner — Marie D. Fast Horse
Assistant Examiner — Josiah D. Parsons

(57) **CLAIM**

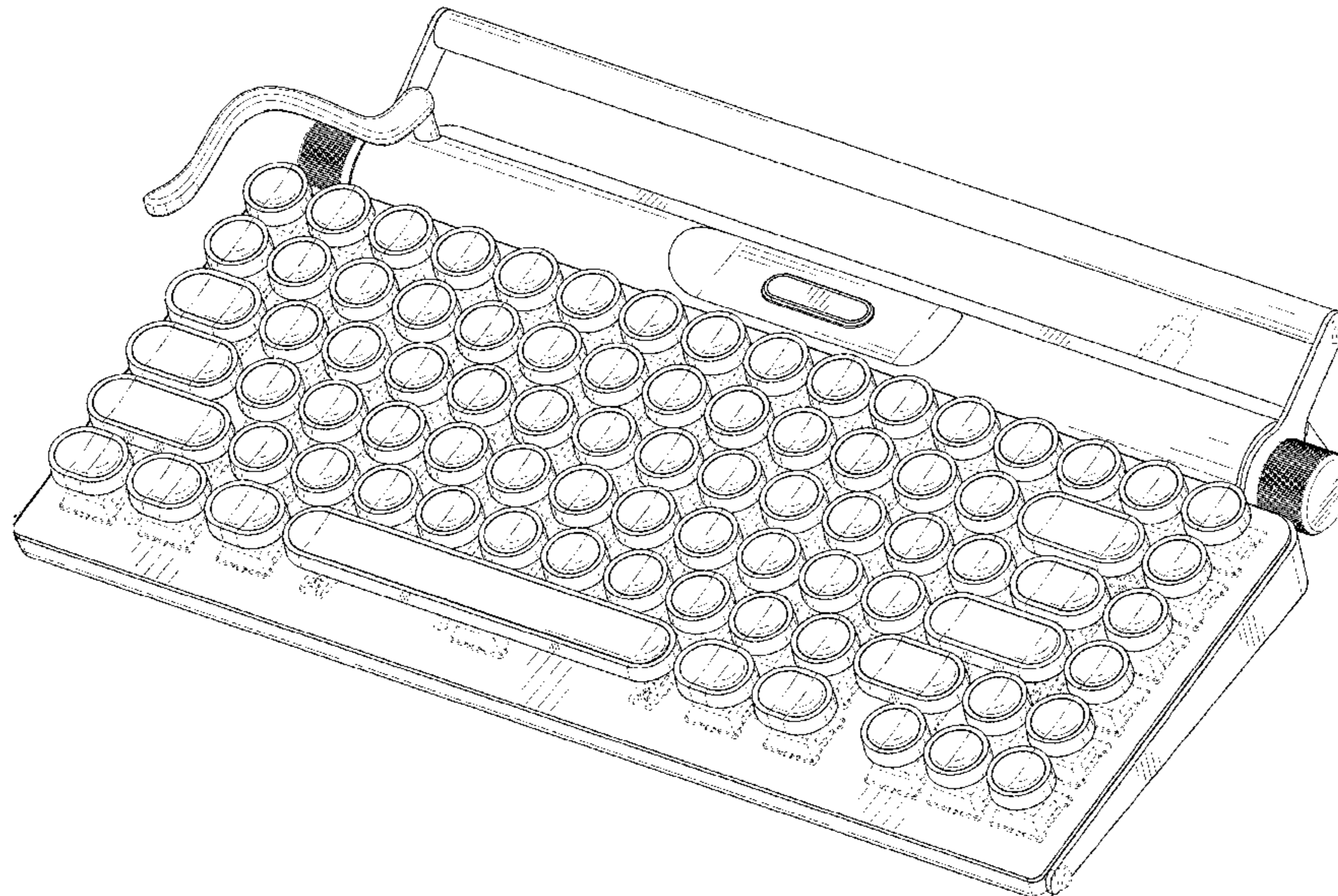
The ornamental design for a keyboard, as shown and described.

DESCRIPTION

FIG. 1 is a front and bottom perspective view of a keyboard, showing my new design;
FIG. 2 is a rear and top perspective view thereof;
FIG. 3 is a front elevation view thereof;
FIG. 4 is a rear elevation view thereof;
FIG. 5 is a left side elevation view thereof;
FIG. 6 is a right side elevation view thereof;
FIG. 7 is a top plan view thereof;
FIG. 8 is a bottom plan view thereof; and,
FIG. 9 is an enlarged perspective view of detail "9" identified in FIG. 2.

The dashed lines in the figures illustrate portions of the keyboard that form no part of the claimed design. The dash dot dash lines in FIGS. 2 and 9 are for the purpose of illustrating the enlarged view indicators and form no part of the claimed design.

1 Claim, 9 Drawing Sheets



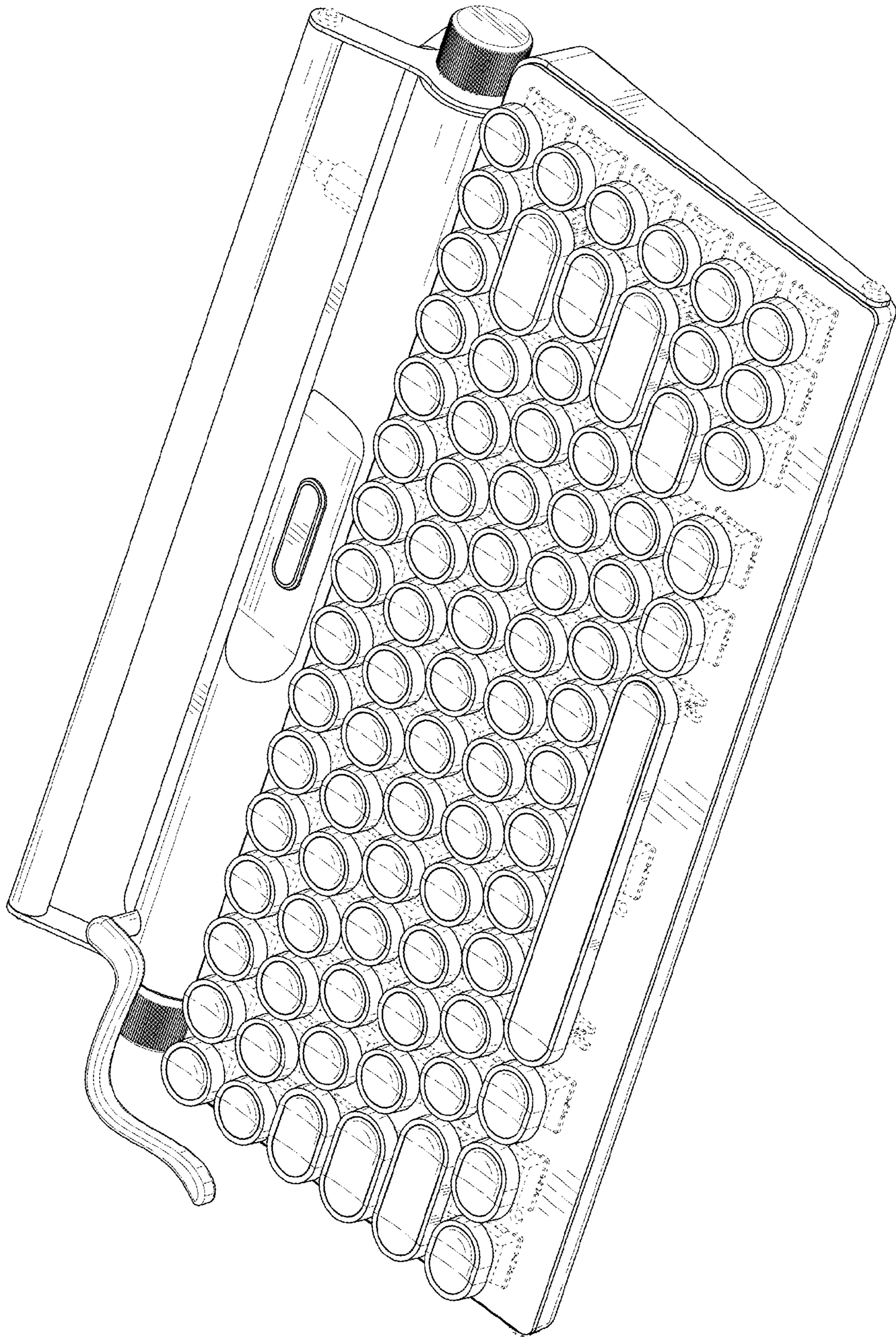


FIG. 1

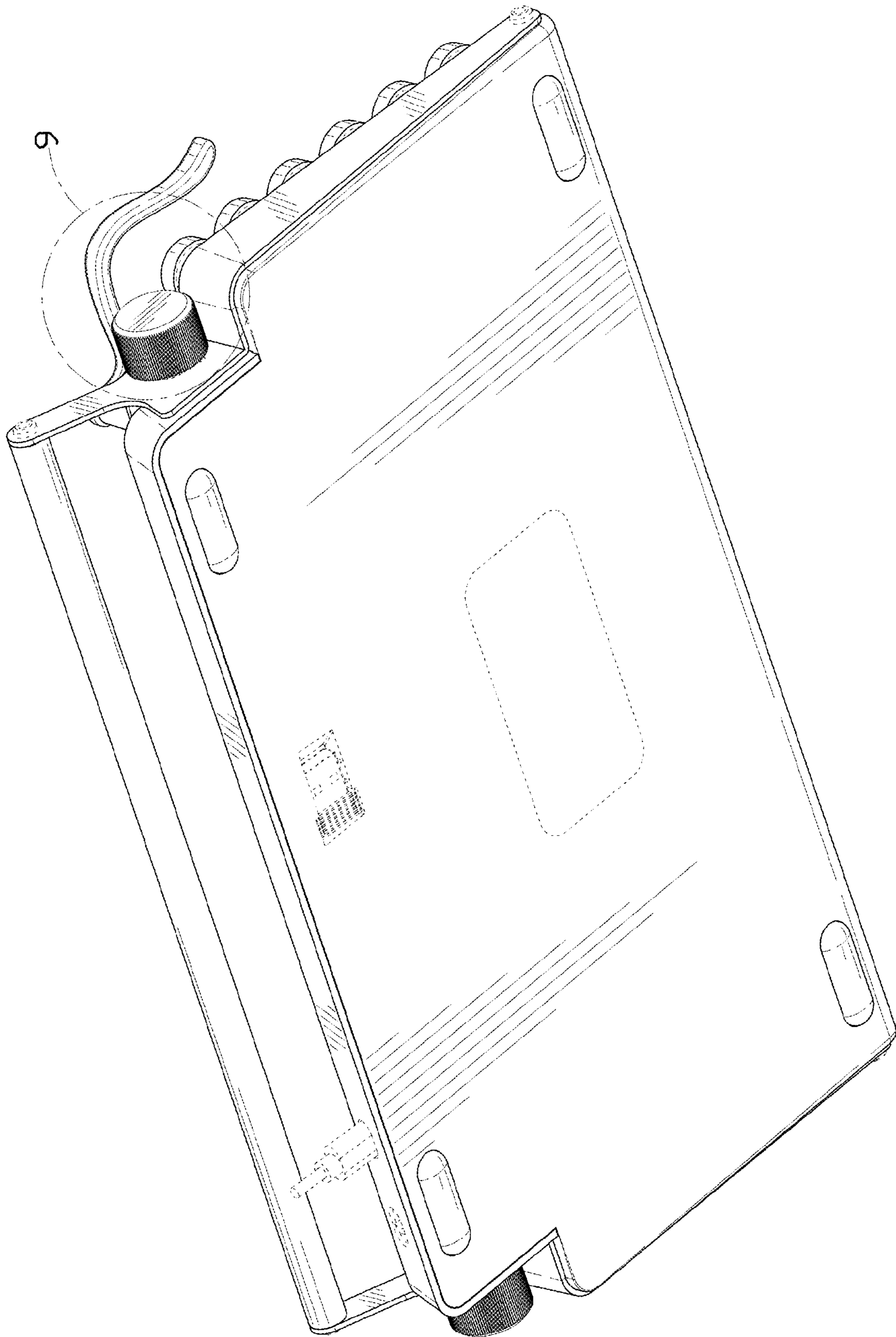


FIG. 2

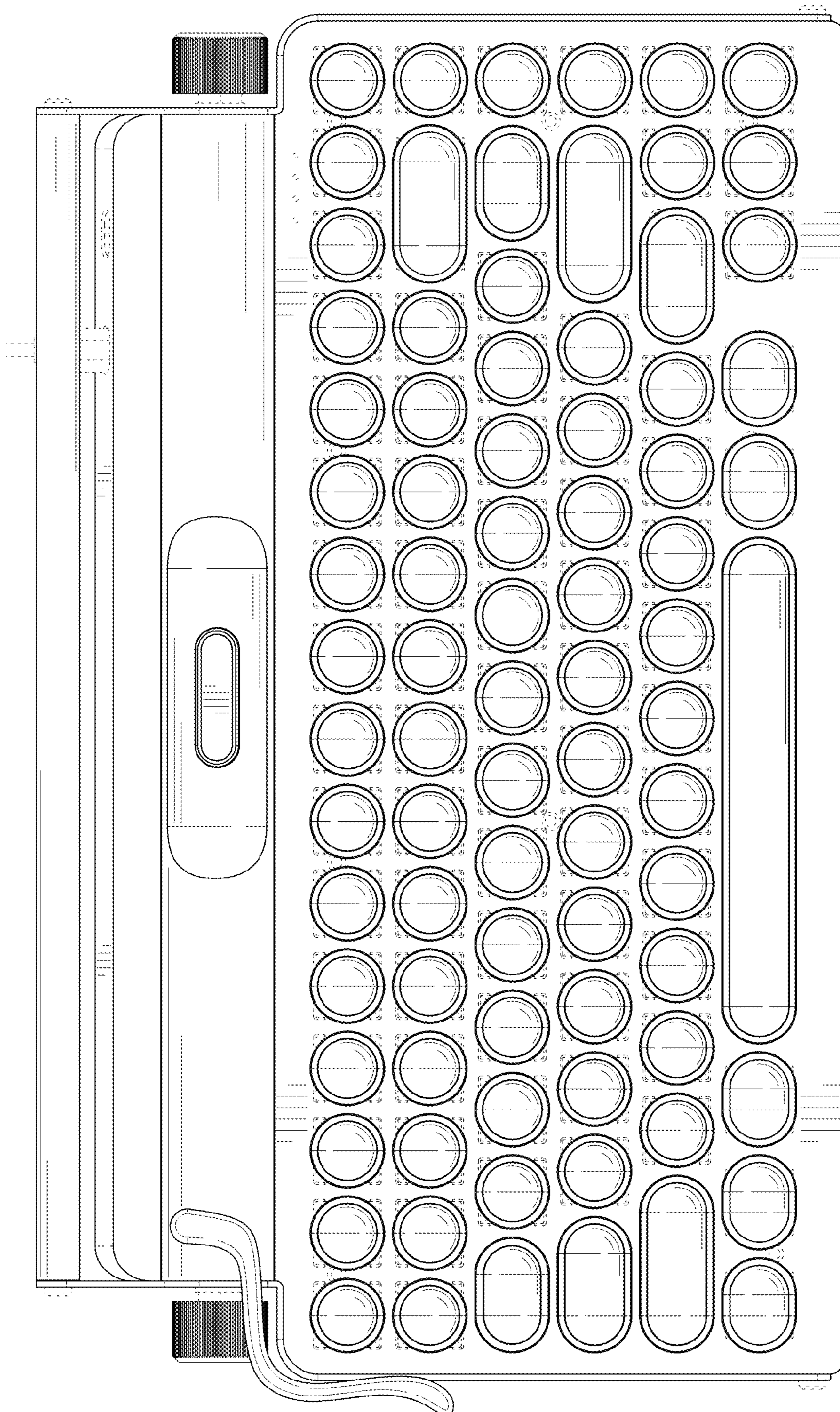


FIG. 3

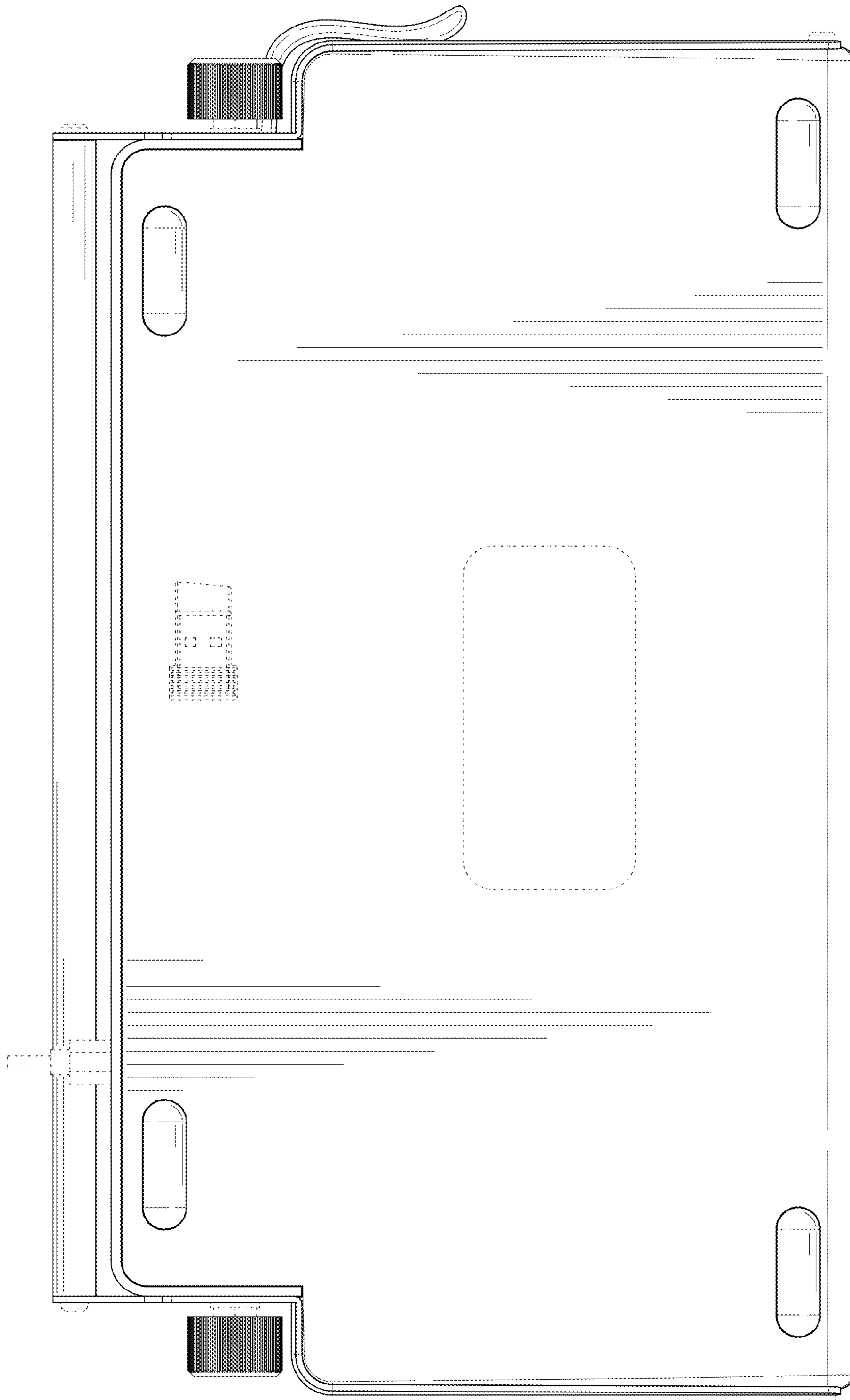


FIG. 4

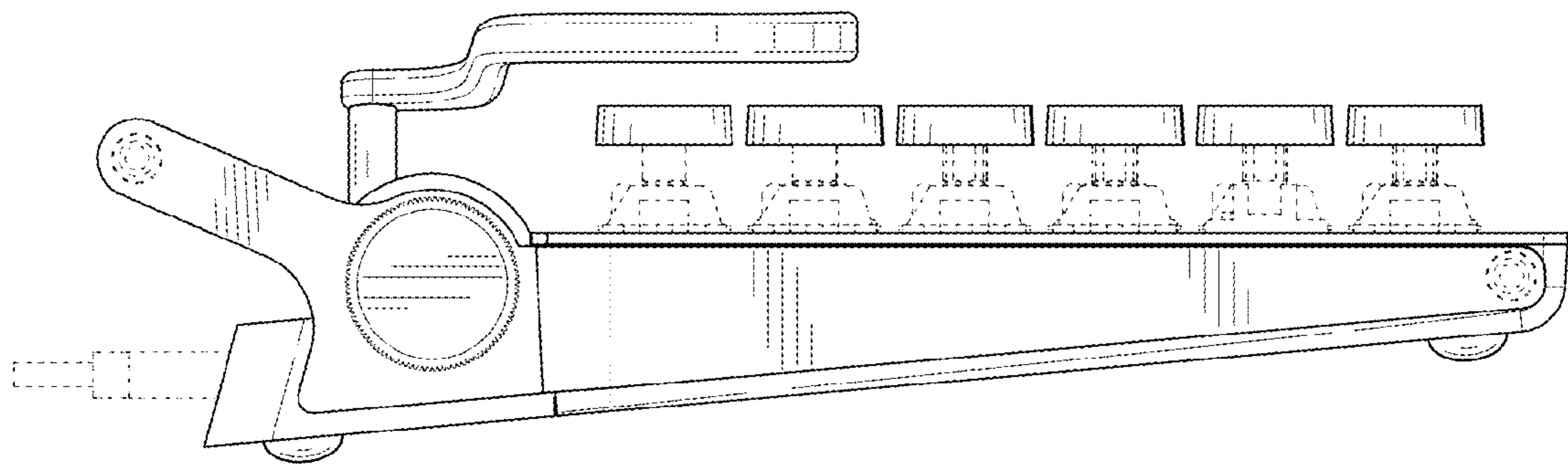


FIG. 5

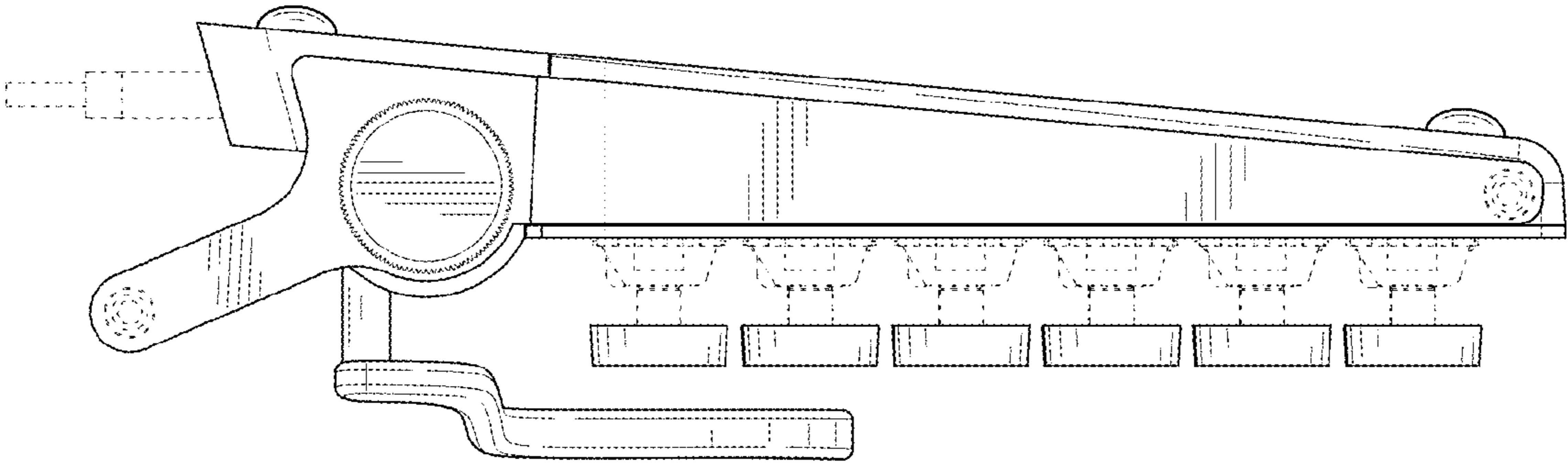


FIG. 6

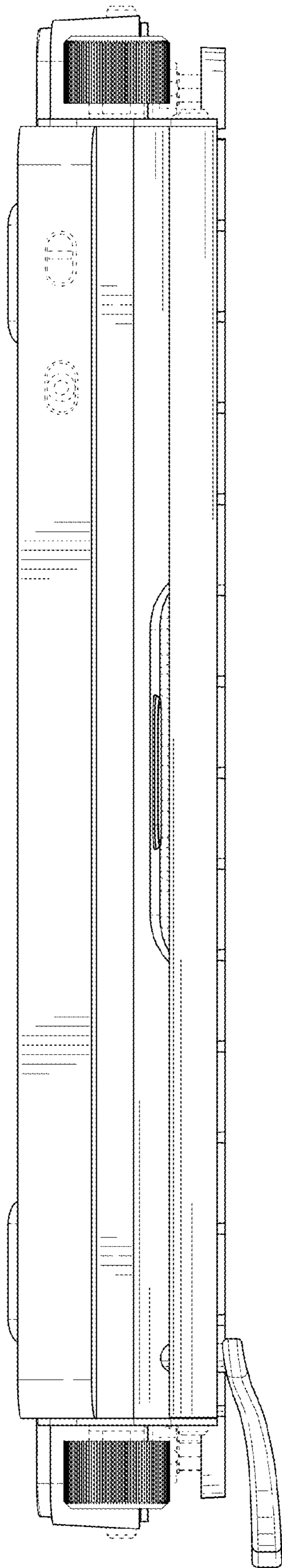


FIG. 7

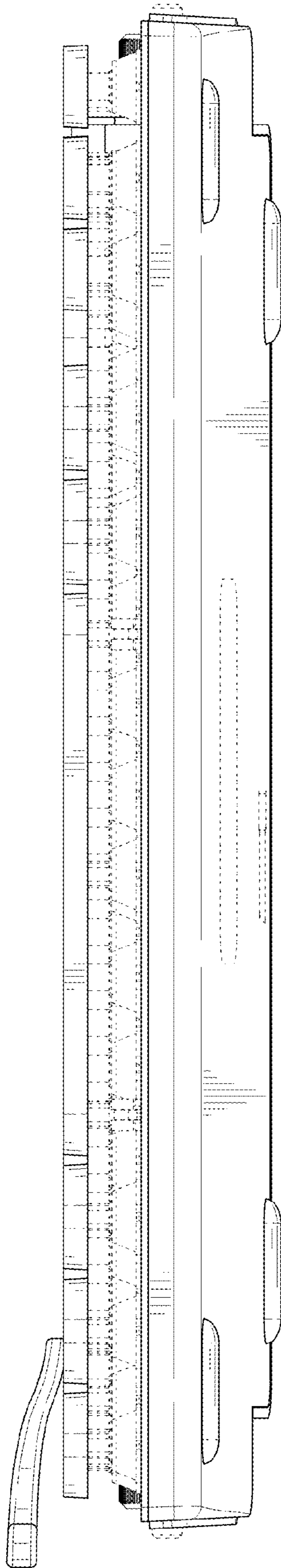


FIG. 8

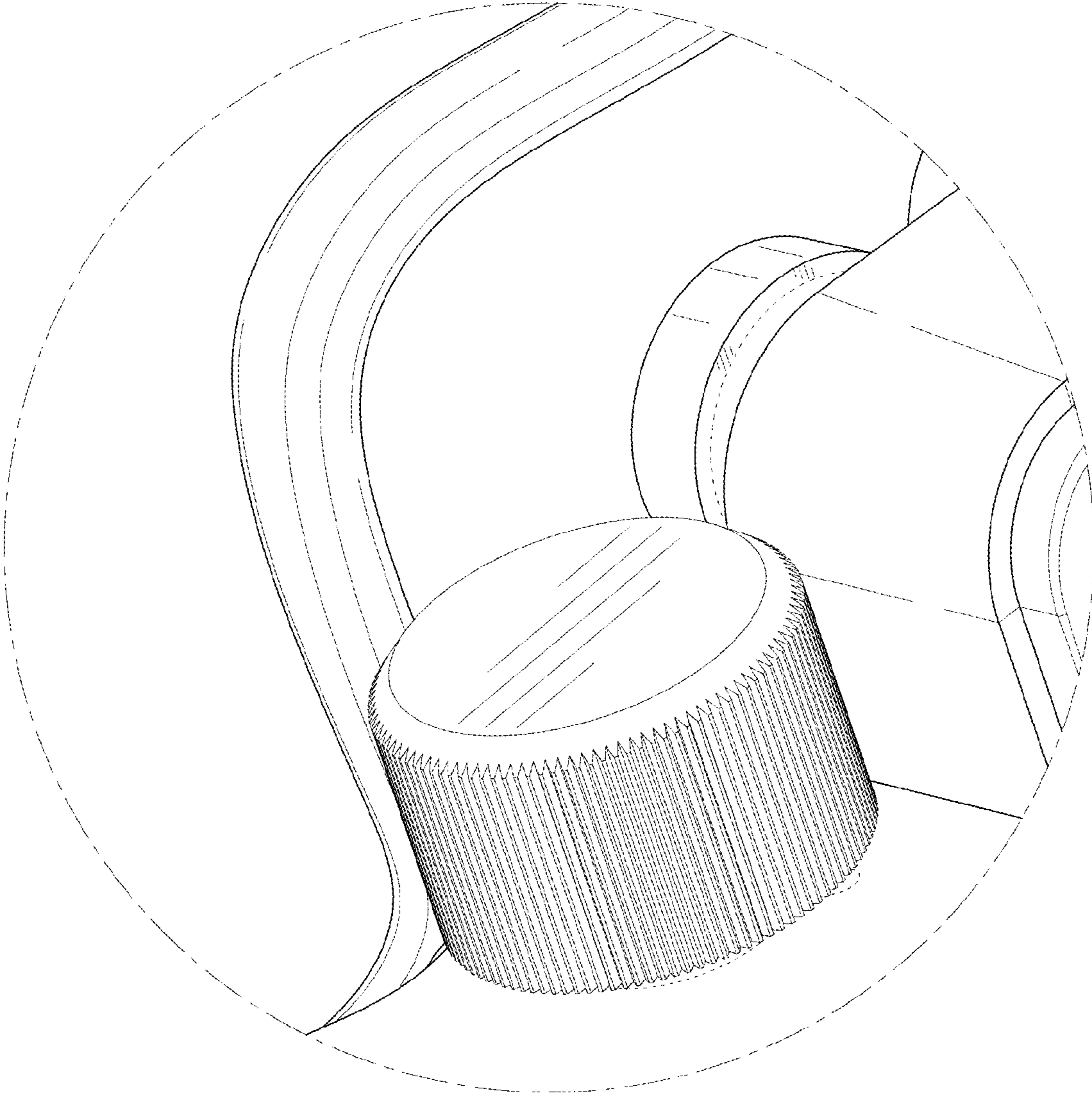


FIG. 9