



US00D983193S

(12) **United States Design Patent**
Giataganas

(10) **Patent No.:** **US D983,193 S**

(45) **Date of Patent:** **** Apr. 11, 2023**

(54) **COMPUTER**

(71) Applicant: **Digital Surgery Limited**, London (GB)

(72) Inventor: **Petros Giataganas**, London (GB)

(73) Assignee: **DIGITAL SURGERY LIMITED**,
London (GB)

(**) Term: **15 Years**

(21) Appl. No.: **29/808,992**

(22) Filed: **Sep. 24, 2021**

Related U.S. Application Data

(63) Continuation of application No. 35/509,672, filed on Mar. 17, 2020 (U.S. filing date under 35 U.S.C. 384), and having an international filing date of Mar. 17, 2020, now Pat. No. Des. 931,850.

(51) **LOC (14) Cl.** **14-02**

(52) **U.S. Cl.**
USPC **D14/314**

(58) **Field of Classification Search**
USPC D14/125, 138, 185, 186, 240, 300, 301,
D14/314, 341, 348, 355, 358, 370, 496;
D21/324, 332

CPC A61B 34/37; A61B 34/74; G05G 1/38
See application file for complete search history.

(56) **References Cited**

U.S. PATENT DOCUMENTS

D476,810 S *	7/2003	Liebe	D3/273
D480,380 S ‡	10/2003	Lee	D14/188
D503,280 S *	3/2005	Eberwein	D3/321
D508,899 S ‡	8/2005	Suzuki	D14/125
D526,648 S *	8/2006	Andre	D14/314
D542,288 S ‡	5/2007	Andre	D14/314
D563,994 S ‡	3/2008	Liu	D14/356
D618,232 S ‡	6/2010	O'Neil	D14/314
D650,377 S ‡	12/2011	Akana	D14/314
D662,904 S *	7/2012	Wu	D14/125
D676,005 S ‡	2/2013	Wood	D14/125

D695,298 S *	12/2013	Han	D14/440
D702,677 S ‡	4/2014	Choi	D14/314
D720,347 S ‡	12/2014	Lo	D14/348
D723,479 S *	3/2015	Lee	D14/125
D732,512 S *	6/2015	Fariello	D14/230
D753,100 S ‡	4/2016	Magi	D14/314
D756,991 S ‡	5/2016	Day	D14/314

(Continued)

OTHER PUBLICATIONS

STC H-700 FTA DVB S2 Set Top Box Satellite Receiver, publication date Sep. 25, 2016, [online] URL: <https://www.amazon.in/STC-H-700-Satellite-Receiver-Recording/dp/B01N3C4OC6> (Year: 2016).*
HP Elite Slice Review, publication date Jan. 20, 2017, [online] URL: <https://www.pcmag.com/reviews/hp-elite-slice> (Year: 2017).*
Medtronic Acquires Digital Surgery to Increase Capabilities in Surgical Data and Analytics, publication date Feb. 13, 2020, [online] URL: <https://www.surgicalroboticstechnology.com/news/medtronic-acquires-digital-surgery-to-increase-capabilities-in-surgical-data-and-analytics/> (Year: 2020).‡

(Continued)

Primary Examiner — L. A. Grabenstetter

(74) *Attorney, Agent, or Firm* — Cantor Colburn LLP

(57) **CLAIM**

I claim, the ornamental design for a computer, as shown and described.

DESCRIPTION

FIG. 1 is a perspective view of a computer, showing my new design;

FIG. 2 is a top down plan view of the design of FIG. 1;

FIG. 3 is a bottom up plan view of the design of FIG. 1;

FIG. 4 is a front elevation view of the design of FIG. 1;

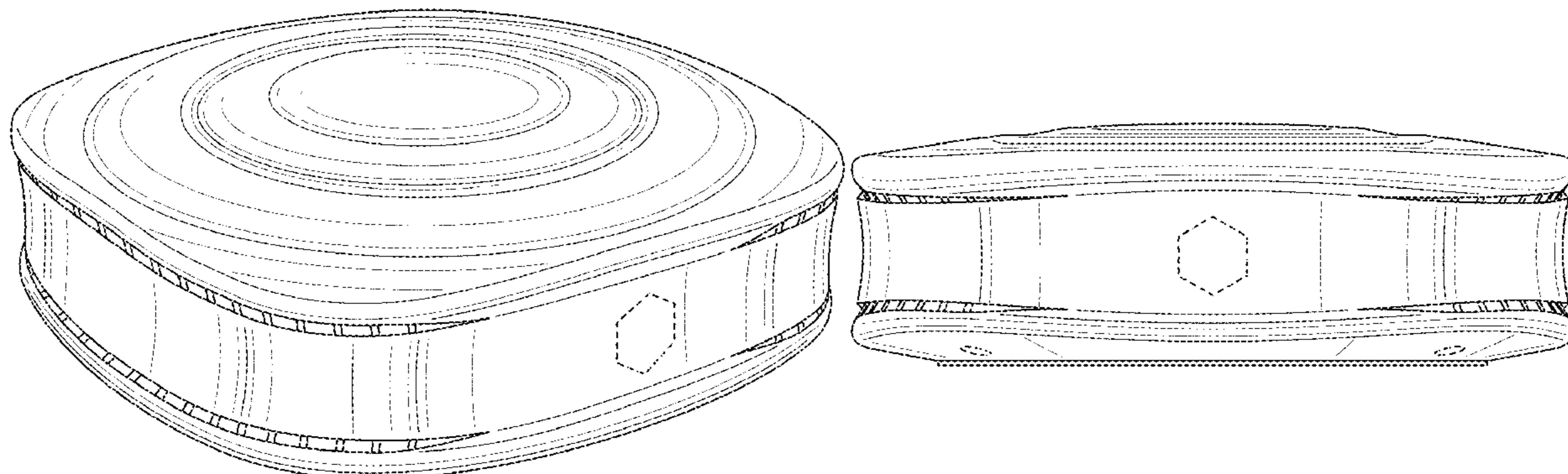
FIG. 5 is a rear elevation view of the design of FIG. 1;

FIG. 6 is a left side elevation of the design of FIG. 1; and,

FIG. 7 is a right side elevation view of the design of FIG. 1.

The broken lines shown in the drawings illustrate portions of the computer that forms no part of the claimed design.

1 Claim, 7 Drawing Sheets



(56)

References Cited

U.S. PATENT DOCUMENTS

D765,073	S	*	8/2016	Niizawa	D14/356
D768,587	S	‡	10/2016	Xu	D14/125
D768,589	S	*	10/2016	Shin	D14/125
D781,257	S	‡	3/2017	Moon	D14/125
D785,608	S	*	5/2017	Weaver	D14/240
D789,352	S	‡	6/2017	Kong	D14/314
D797,095	S	‡	9/2017	Delpier	D14/314
D798,860	S	‡	10/2017	Wieser	D14/358
D808,946	S	*	1/2018	Mchatet	D14/250
D816,070	S	‡	4/2018	Marzynski	D14/240
D821,386	S	‡	6/2018	Dou	D14/314
D824,349	S	‡	7/2018	Kim	D14/125
D831,585	S	*	10/2018	Lee	D13/162
D831,646	S	‡	10/2018	Kusano	D14/358
D871,391	S	‡	12/2019	Delpier	D14/314
D883,968	S	*	5/2020	Chalko	D14/242
D931,860	S	*	9/2021	Chin	D14/434

OTHER PUBLICATIONS

DS1 Touch Surgery, Smallfry Designs, publication date Nov. 3, 2020, [online] URL: <https://smallfry.com/our-work/touchsurgery> (Year: 2020).‡

Anonymous, "DS1 Touch Surgery, Smallfry Designs," URL: <https://smallfry.com/our-work/touchsurgery>, Published: Nov. 3, 2020, Retrieved: Aug. 30, 2021, 5 pages.

Anonymous, "Medtronic Acquires Digital Surgery to Increase Capabilities in Surgical Data and Analytics," URL: <https://www.surgicalroboticstechnology.com/news/medtronic-acquires-digital-surgery-to-increase-capabilities-in-surgical-data-and-analytics/>, Published: Feb. 13, 2020, Retrieved: Aug. 30, 2021, 5 pages.

* cited by examiner

‡ imported from a related application

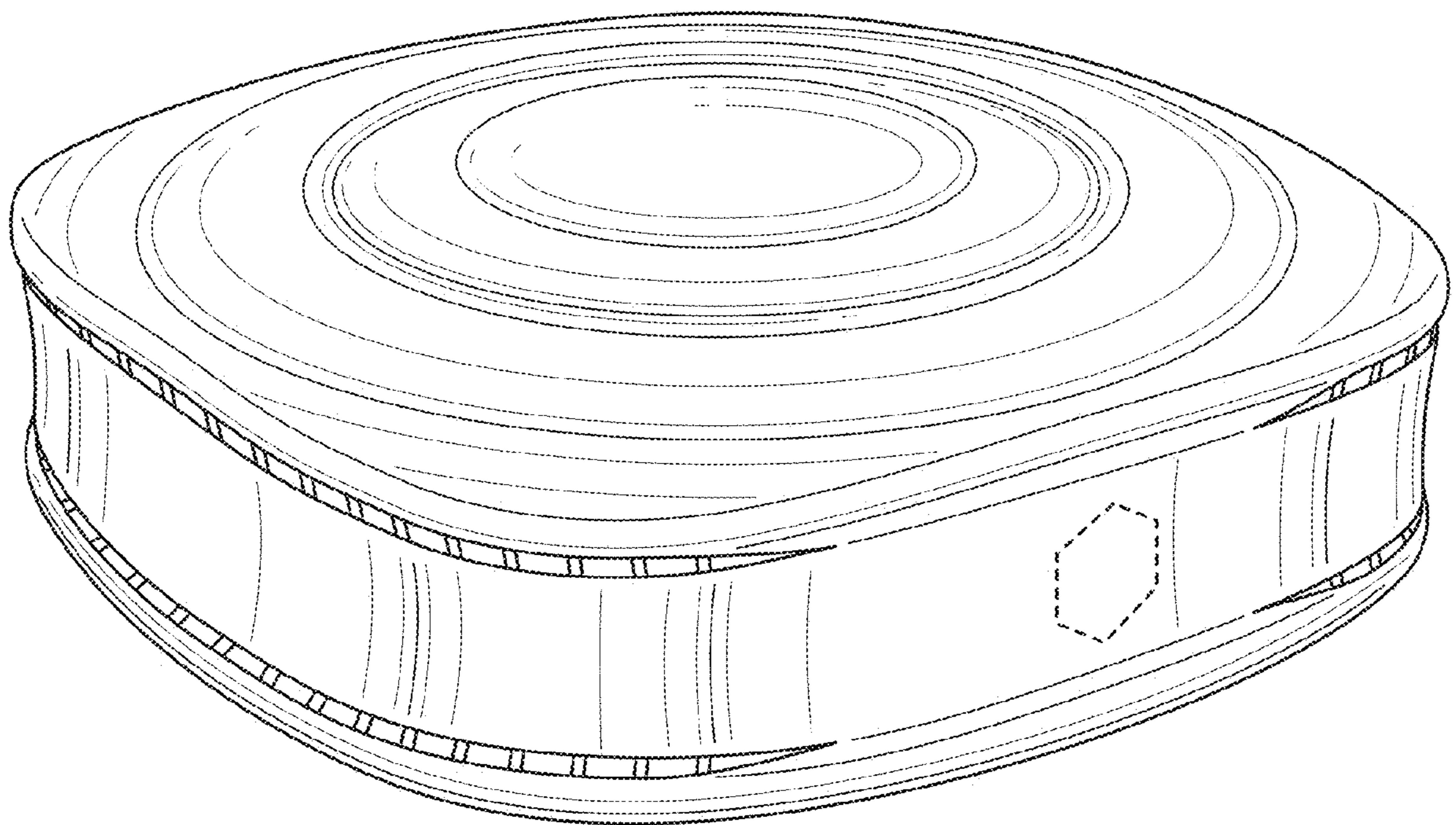


FIG. 1

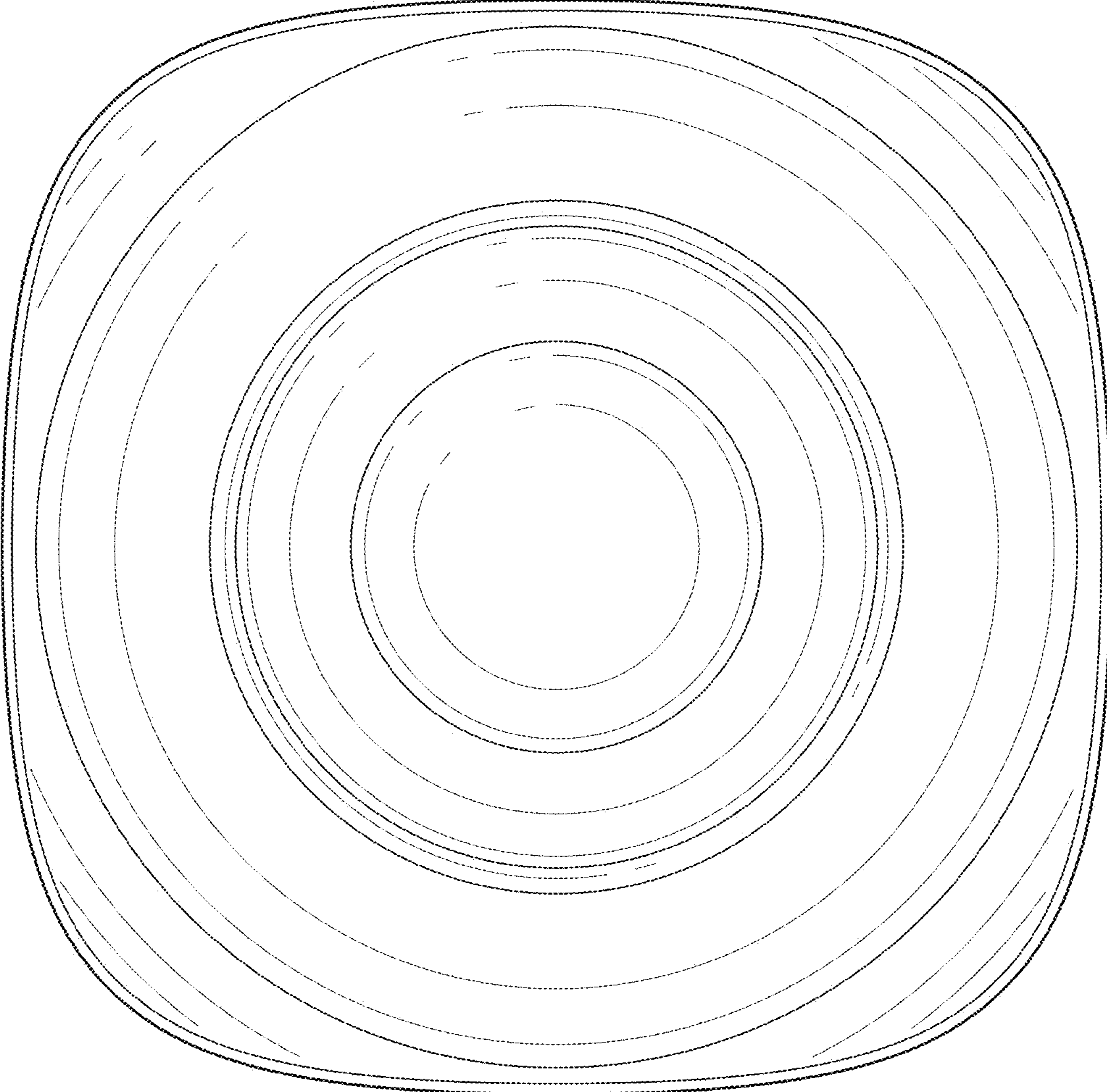


FIG. 2

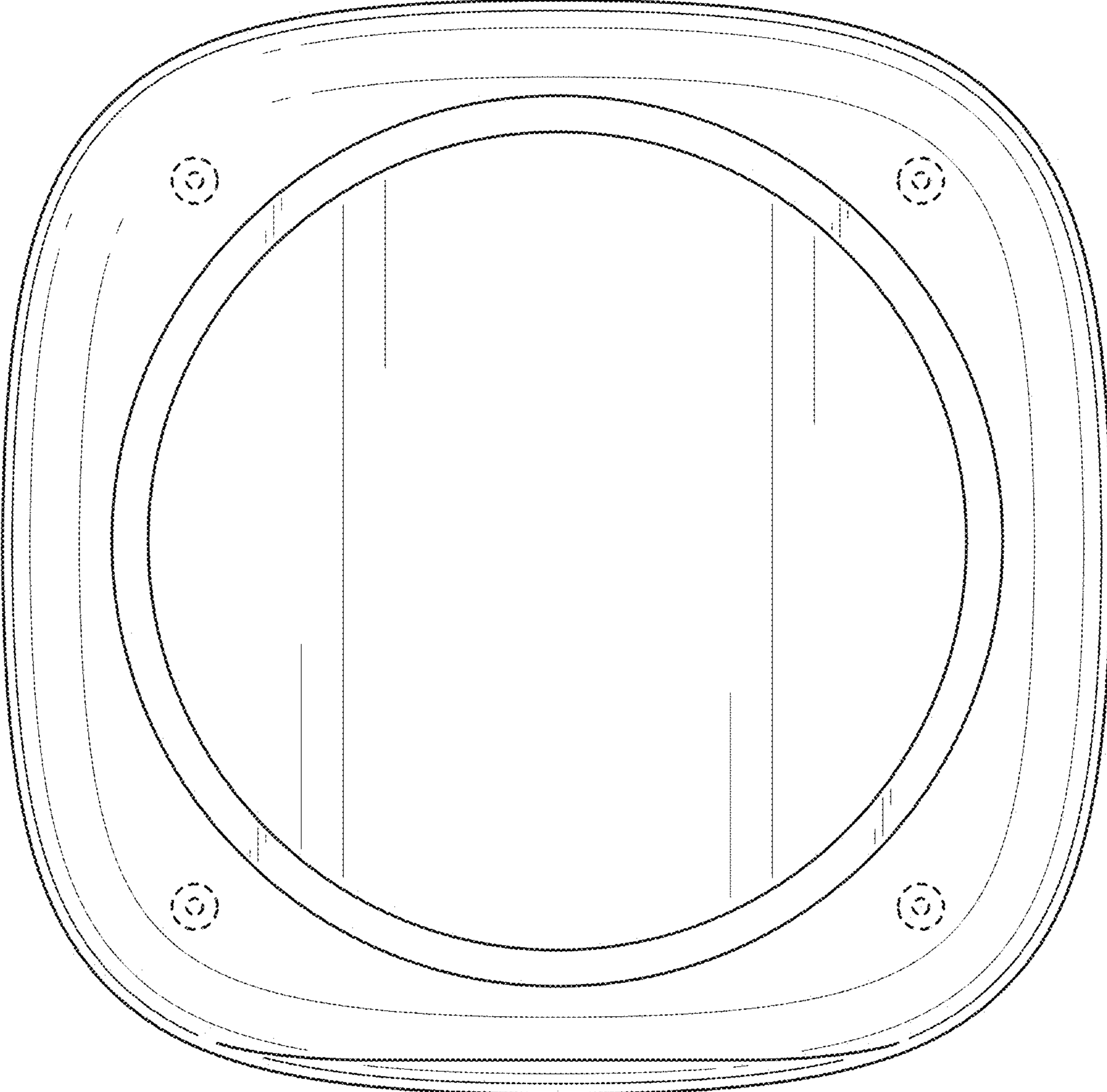


FIG. 3

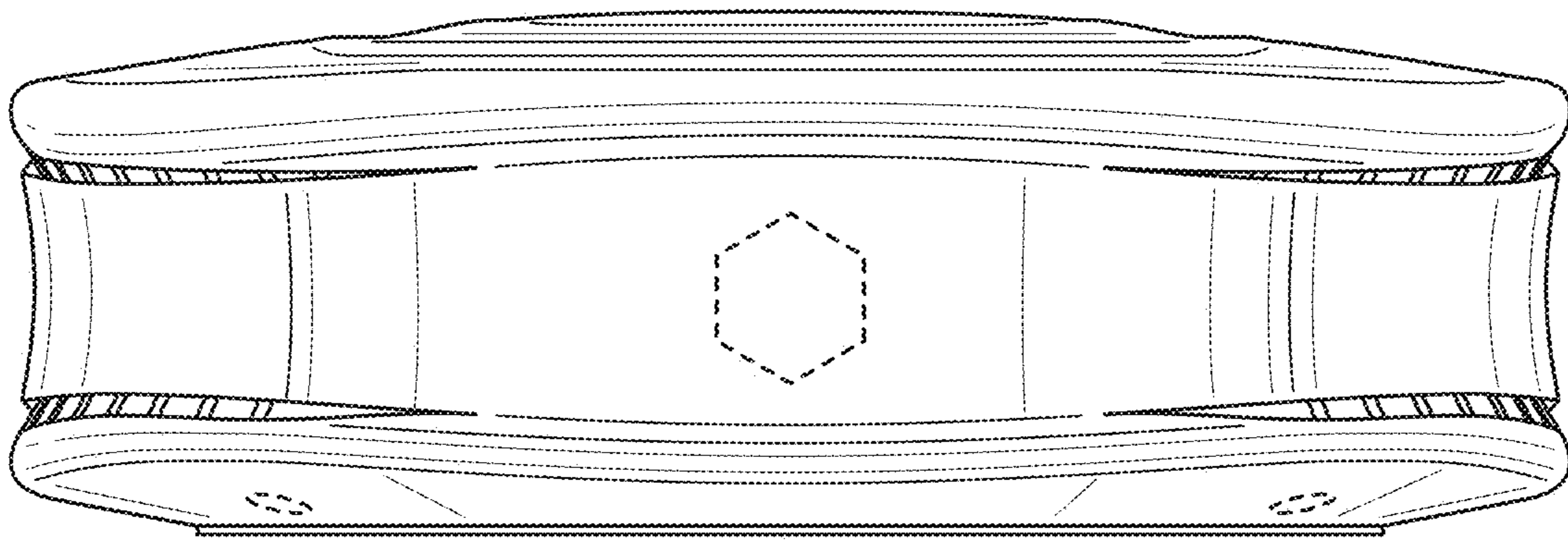


FIG. 4

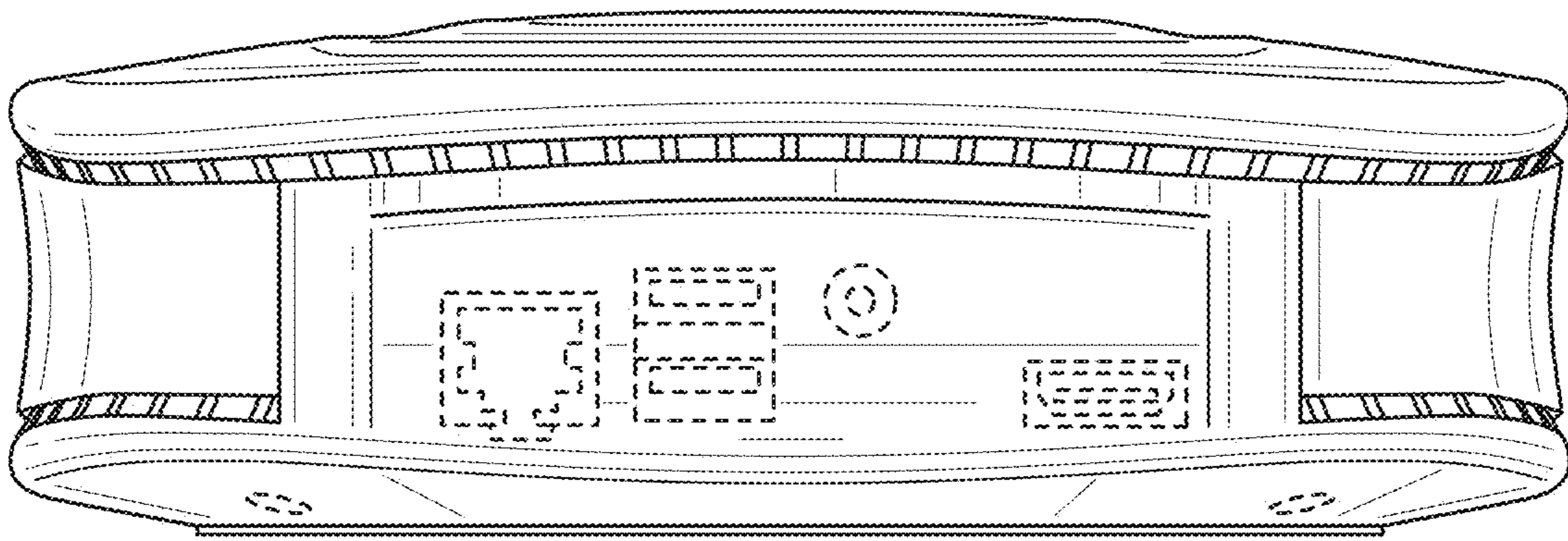


FIG. 5

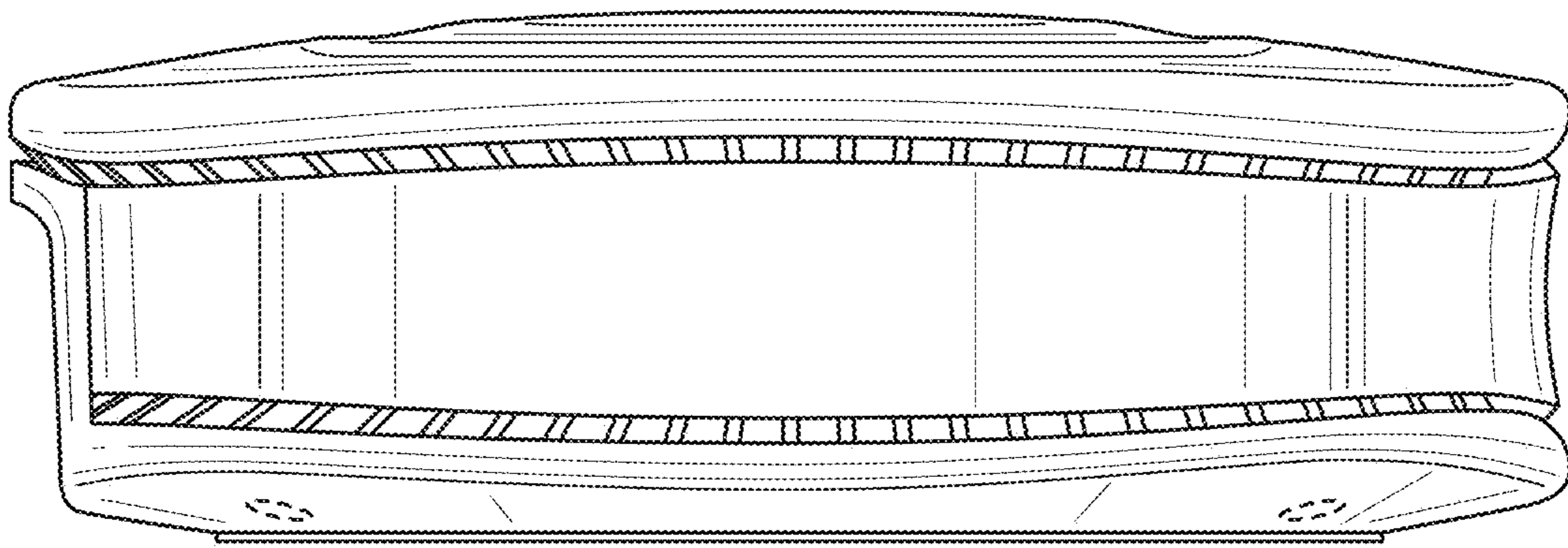


FIG. 6

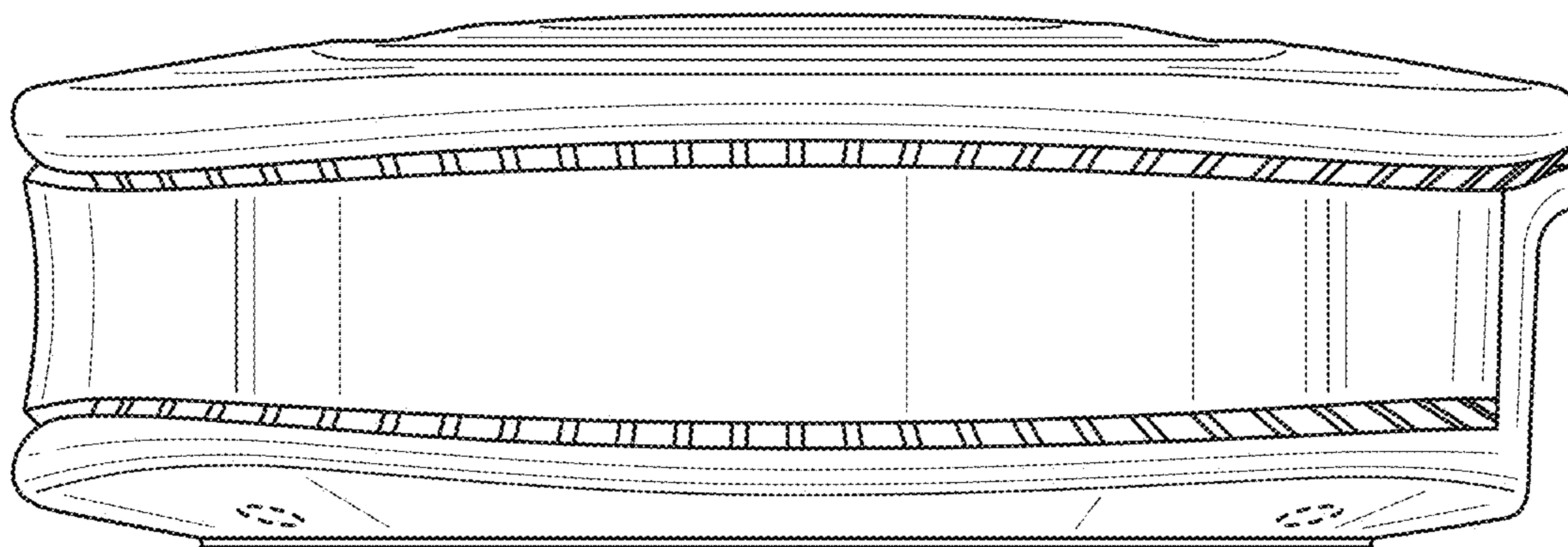


FIG. 7